



The Life of the Kitchen.®

A faded background image of a kitchen. In the center is a white wall oven with a stainless steel cooktop. On the counter to the left, there are various kitchen items like a bowl, a bottle, and some fruit. To the right, there's a sink and some more kitchenware. The overall scene is brightly lit, suggesting a clean, modern kitchen environment.

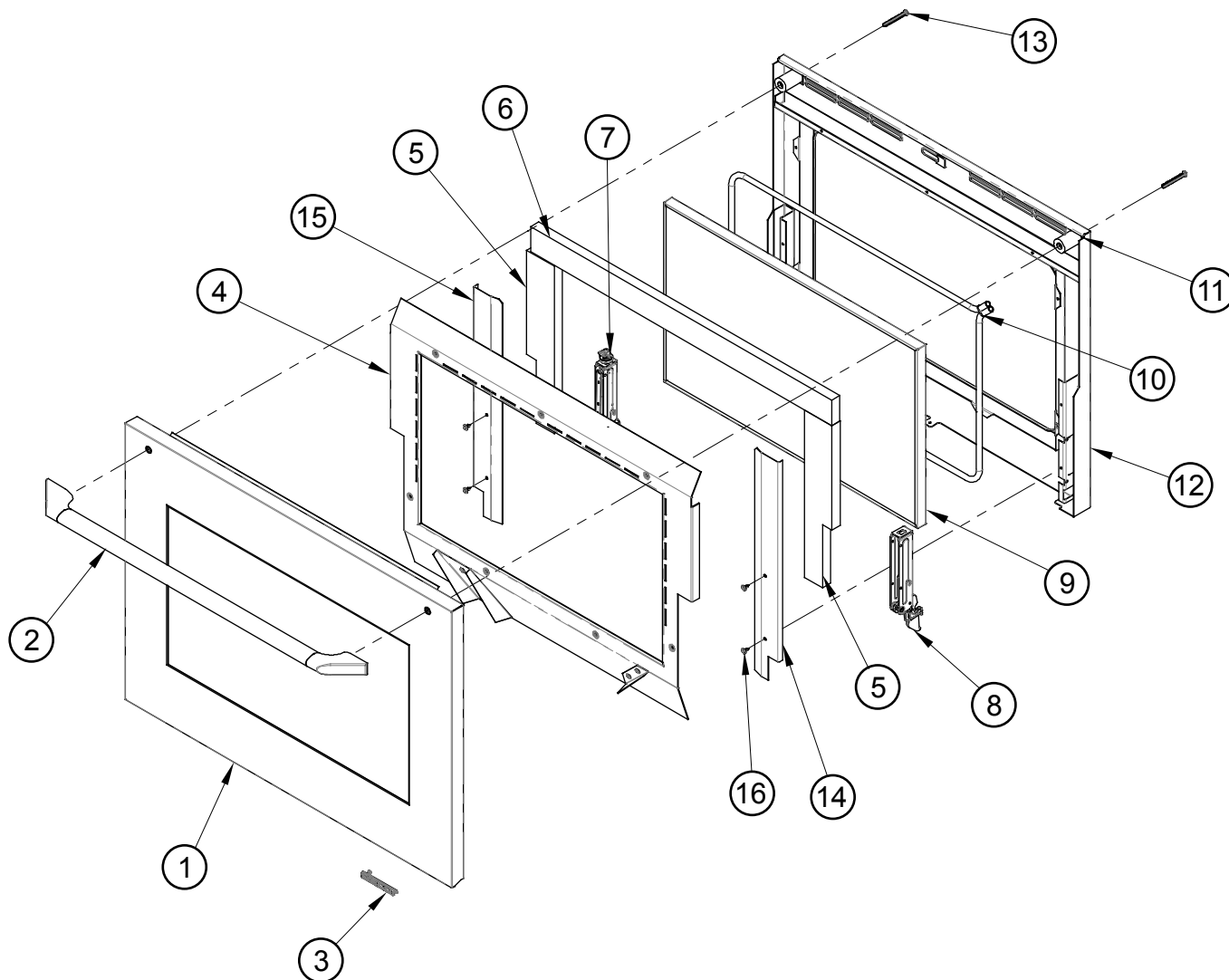
**PARTS  
CATALOG**

## **RO230/ROV230 Wall Oven**

<b>Page #</b>	<b>Description</b>
<b>2</b>	<b>Door Assembly</b>
<b>3</b>	<b>Chassis Assembly - Front</b>
<b>4</b>	<b>Chassis Assembly - Rear</b>
<b>5</b>	<b>Control Panel</b>
<b>6</b>	<b>Sub-Chassis Electrical Components</b>
<b>7</b>	<b>Oven Cell Components</b>
<b>8</b>	<b>Miscellaneous Components</b>

Revised 03-09-2012

# RO230/ROV230 Wall Oven Door Assembly



Item	Part #	Description
<b>1</b>	701426-01	ENTIRE DOOR ASSEMBLY, UPPER*
	701426-02	ENTIRE DOOR ASSEMBLY, LOWER**
<b>2</b>	13659-001	ASSEMBLY, DOOR HANDLE
<b>3</b>	72510CH	LOGO, DACOR, 3", CHROME**
<b>4</b>	105308B	HEAT SHIELD
<b>5</b>	105353	INSULATION, SIDE DOOR
<b>6</b>	105352	INSULATION, TOP DOOR
<b>7</b>	72711	HINGE, LEFT
<b>8</b>	72710	HINGE, RIGHT

\* Includes handle and Dacor logo on front.

\*\* Includes handle, not Dacor logo.

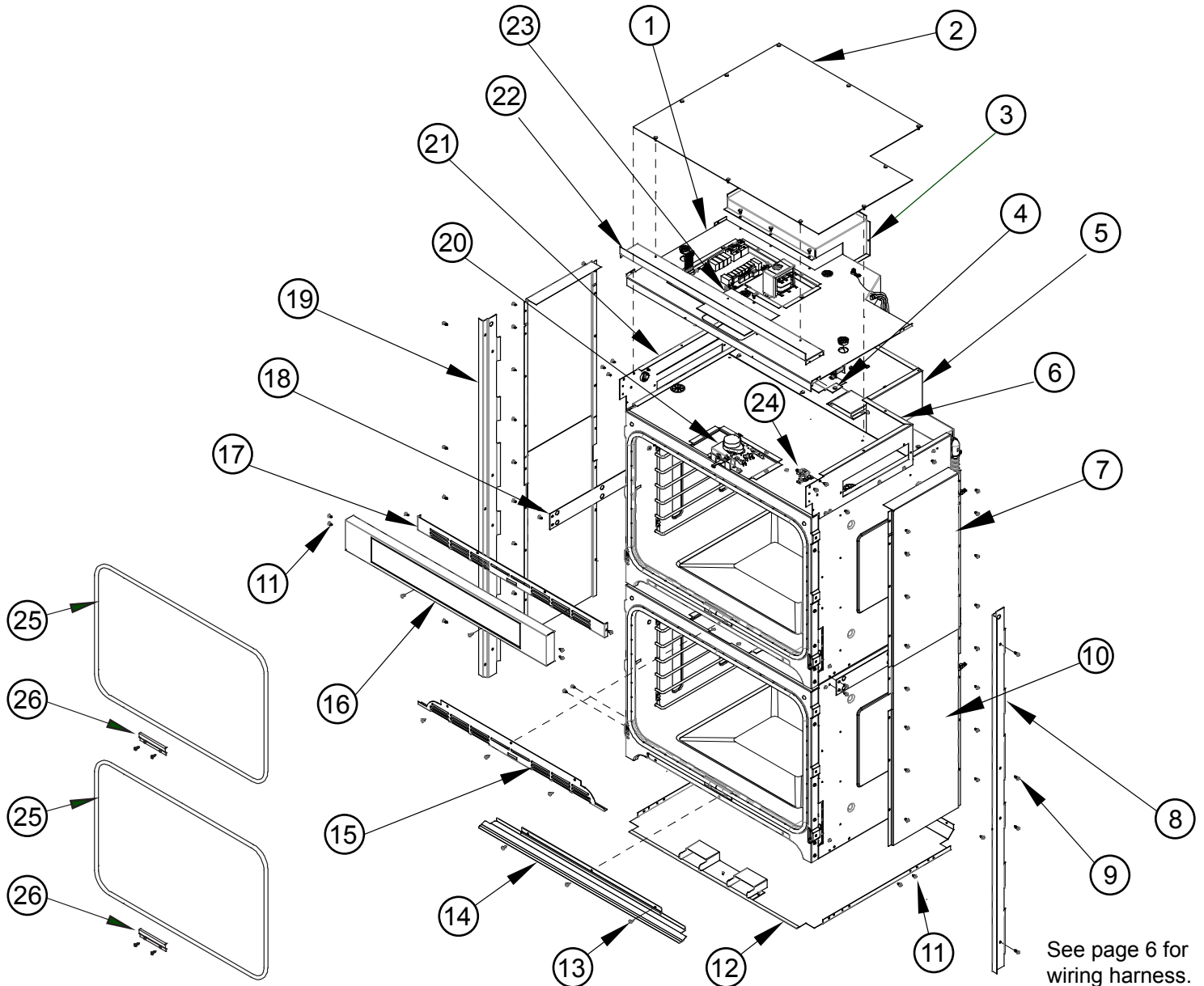
\*\*\* For use on upper door only.

Item	Part #	Description
<b>9</b>	72968	WINDOW PACK
<b>10</b>	100015	GASKET, WINDOW PACK
<b>11</b>	701428	ASSEMBLY, DOOR LINER****
<b>12</b>	701430BP	DOOR LINER*****
<b>13</b>	100026	SCREW, #10-32 X 2.0, TORX
<b>14</b>	105510-01	HINGE BRACKET COVER, RIGHT
<b>15</b>	105510-02	HINGE BRACKET COVER, LEFT
<b>16</b>	83263	SCREW, PHIL TRS, #8 X 3/8, BLACK

\*\*\*\* Pre-assembled, includes door liner, window pack w/ gasket, hinges, hinge covers, all insulation, heat shields, air deflectors.

\*\*\*\*\* Door liner alone.

# RO230/ROV230 Wall Oven Chassis Assembly - Front

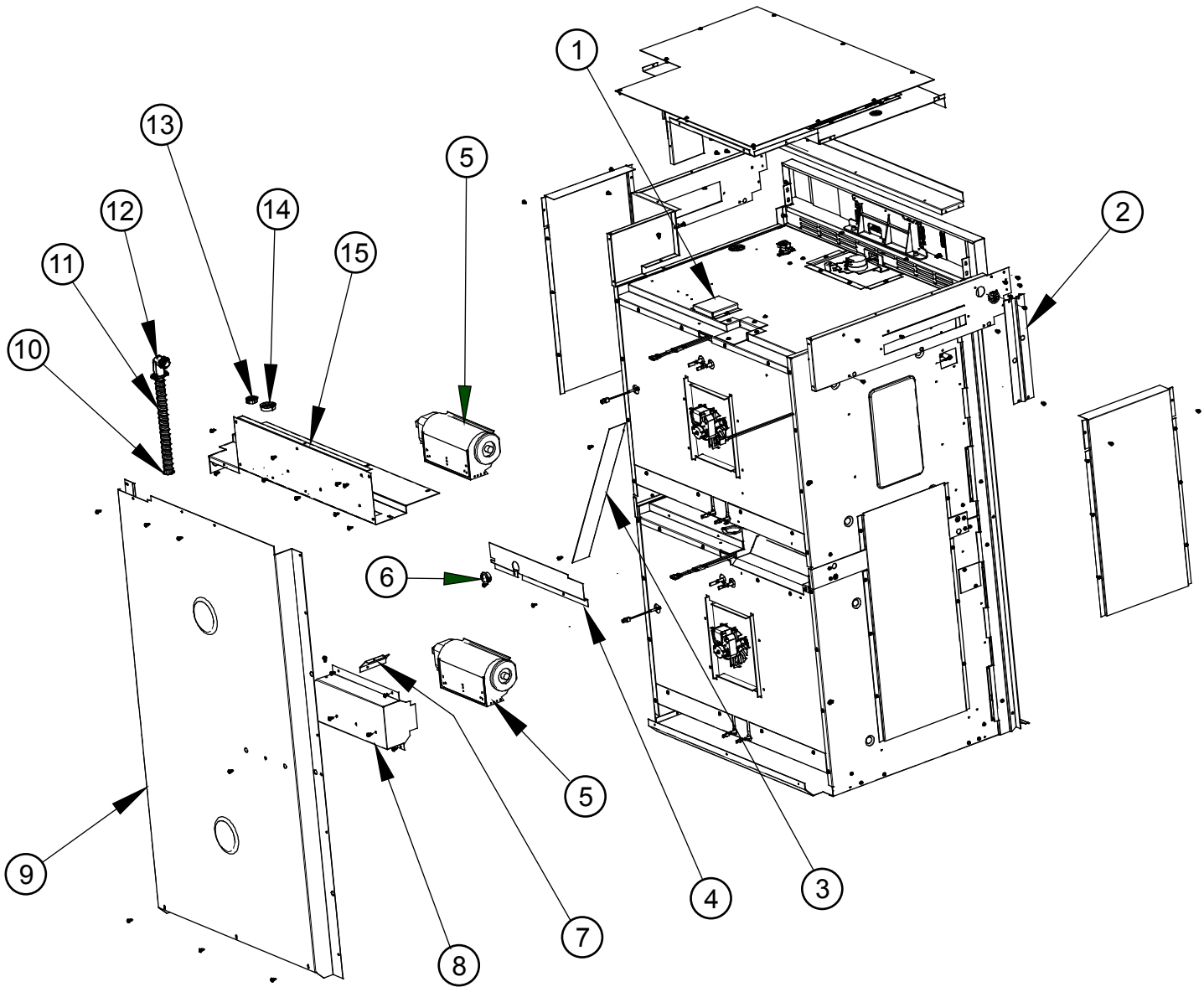


See page 6 for wiring harness.

Item	Part #	Description
1	-	SUB-CHASSIS*
2	105324	COVER, TOP
3	105320	COVER, COOLING FAN
4	105363	EMBOSS, COOLING FAN
5	105318	TOP RIGHT REAR CORNER
6	105314	TOP, RIGHT SIDE
7	105462	HEAT SHIELD, DUCT
8	105389-01B	TRIM POST, RIGHT
9	83709	SCREW, #8 X 1/2", TORX, BLK
10	105463	HEAT SHIELD, LOWER DUCT
11	83710	SCREW, WASHER HD #8 X 3/8
12	701423	ASSEMBLY, EXHAUST PLATE
13	83263	SCREW, PHIL TRS, #8 X 3/8, BLK

Item	Part #	Description
14	105350	EXHAUST GRILL
15	105405B	INTAKE GRILL, LOWER OVEN
16**	-	ASSY, BEZEL/CAPACITIVE TOUCH**
17	105357B	INTAKE GRILL, TOP
18	105388	SUPPORT, DOUBLE OVEN
19	105389-02B	TRIM POST, LEFT
20	100090	LATCH, WALL OVEN
21	105315	TOP, LEFT SIDE
22	105319	TOP, FRONT SUPPORT
23	105323	COVER, LATCH
24	92321	HIGH LIMIT SWITCH
25	105366	DOOR GASKET
26	105468BP	DOOR GASKET COVER

# RO230/ROV230 Wall Oven Chassis Assembly - Rear

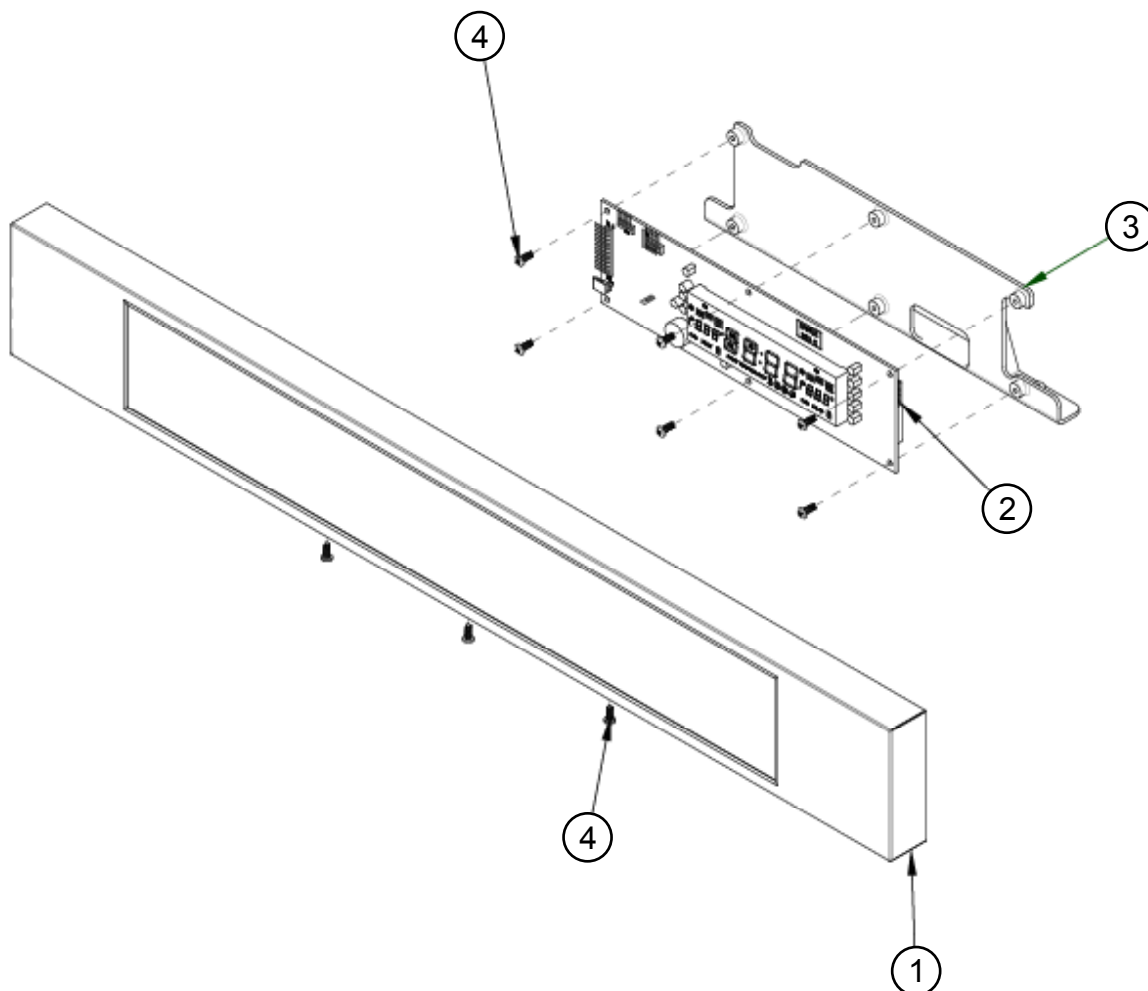


See page 6 for wiring harness.

Item	Part #	Description
1	105330	DUCT, SMOKE ELIMINATOR
2	105478	COVER, MEAT PROBE WIRE
3	105326	DUCT, REAR
4	105387	COVER, DOUBLE OVEN
5	82347	FAN, COOLING
6	83055	SNAP BUSHING
7	105484	BAKE ELEMENT, CORNER
8	105386	COVER, LOWER COOLING FAN

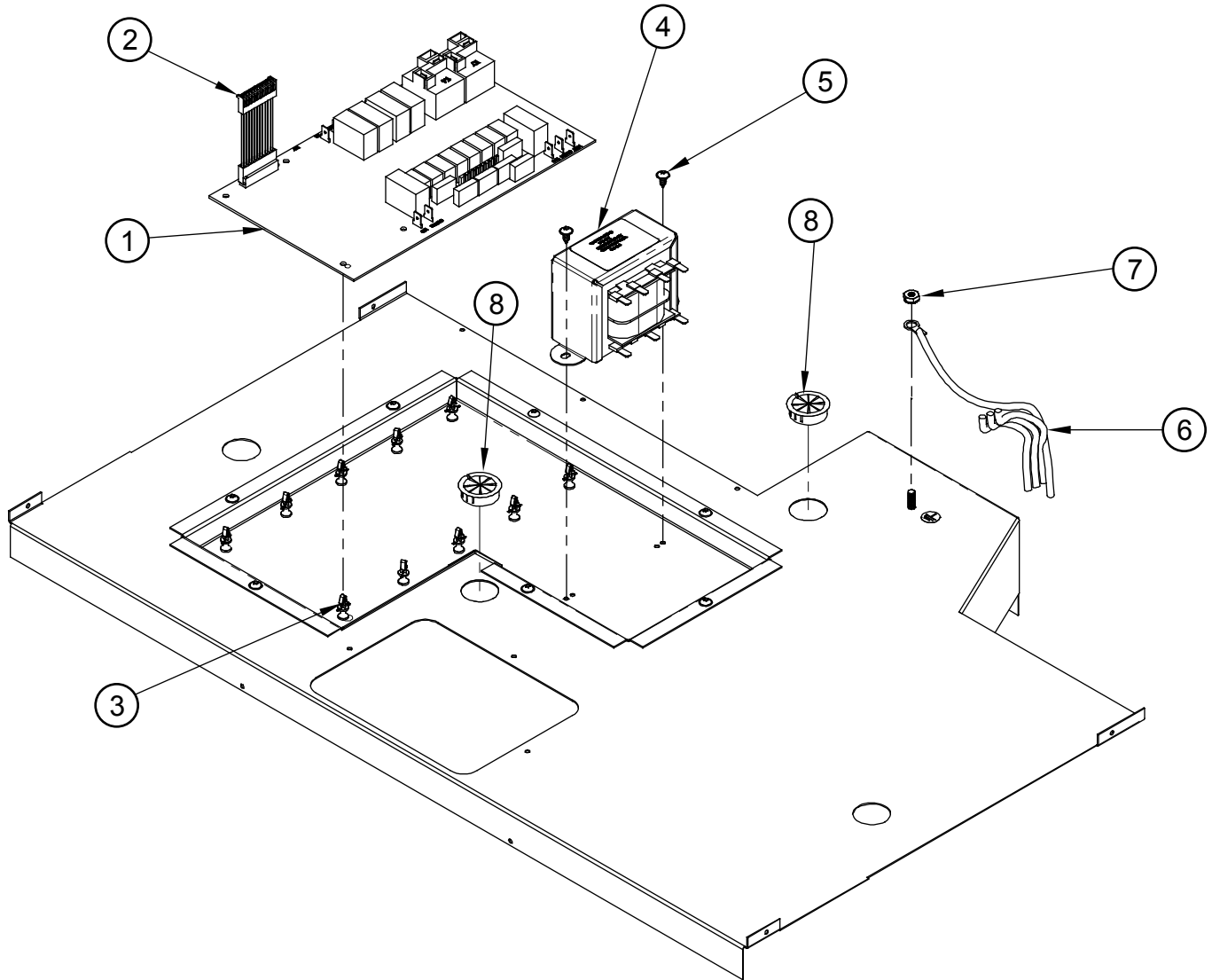
Item	Part #	Description
9	105358	COVER, BACK DOUBLE OVEN
10	83133	BUSHING, 1/2", RED
11	26420	CONDUIT, 1/2" FLEX, CUT 60
12	82195	1/2" 90° SQUEEZE CONNECTOR
13	92191-02	BUSHING, SPLIT 1.0"
14	92191-03	BUSHING, SPLIT 1.375"
15	105316	TOP REAR

# RO230/ROV230 Wall Oven Control Panel Assembly



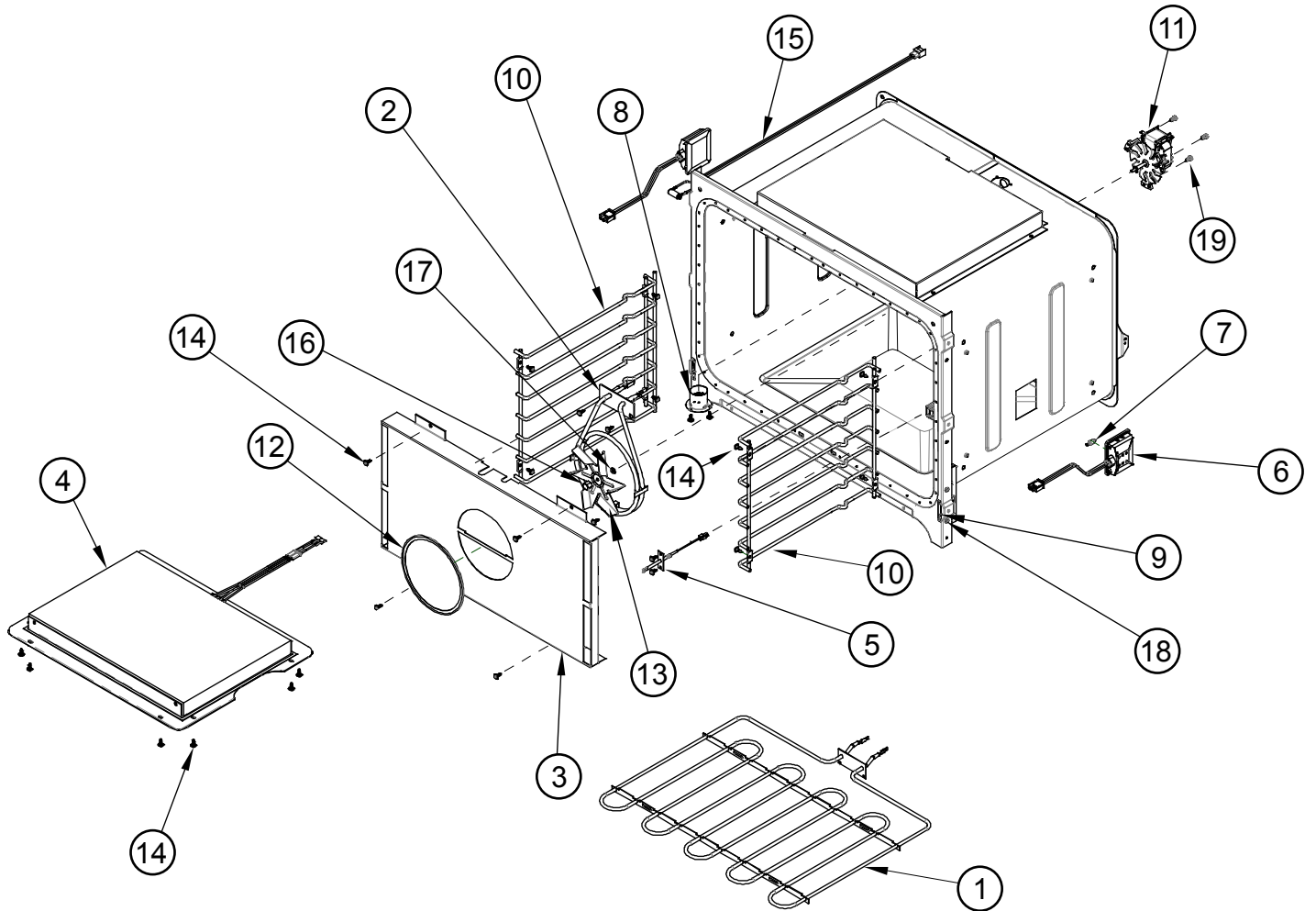
Item		Description
1	701476-02	ASSEMBLY, BEZEL/CAPACITIVE TOUCH, RO230B
	701431-02	ASSEMBLY, BEZEL/CAPACITIVE TOUCH, RO230S
	701504-02	ASSEMBLY, BEZEL/CAPACITIVE TOUCH, ROV230B
2	105336	CONTROL BOARD, RO230/ROV230
3	105334	CONTROL BOARD BASE
4	105486	SCREW, 6-19 X 3/8"

# RO230/ROV230 Sub-Chassis Electrical Components



Item	Part #	Description
1	102380	RELAY BOARD, RO230/ROV2330
2	105448	WIRING HARNESS, POWER BOARD
3	83538	PCB SUPPORT, NYLON
4	100832	TRANSFORMER, RO230/ROV230
5	83023	SCREW, SLOT HWH #10 X 3/8 THD
6	105413	WIRING HARNESS, MAIN
7	83009	NUT, KEPS, #10-24
8	92191-02	BUSHING, SPLIT 1.0"
-	105729	WIRING HARNESS EXTENSION RELAY BOARD/TOUCH PAN (not shown)

# RO230/ROV230 Wall Oven Cell Components



Item	Part #	Description
1	106898	BAKE ELEMENT
2	82377	CONVECTION ELEMENT
3	105329BP	CONVECTION BAFFLE
4	700529	BROIL ASSEMBLY*
5	72752	SENSOR, TEMPERATURE
6	92398	ASSEMBLY, HALOGEN LIGHT, 12V, 20W
7	100429	BULB, HALOGEN, 12V, 20W
8	72755	SMOKE ELIMINATOR
9	72348	HINGE RECEPTACLE
10	106991	RACK SUPPORT

\* Broil assembly includes element, glass and frame.

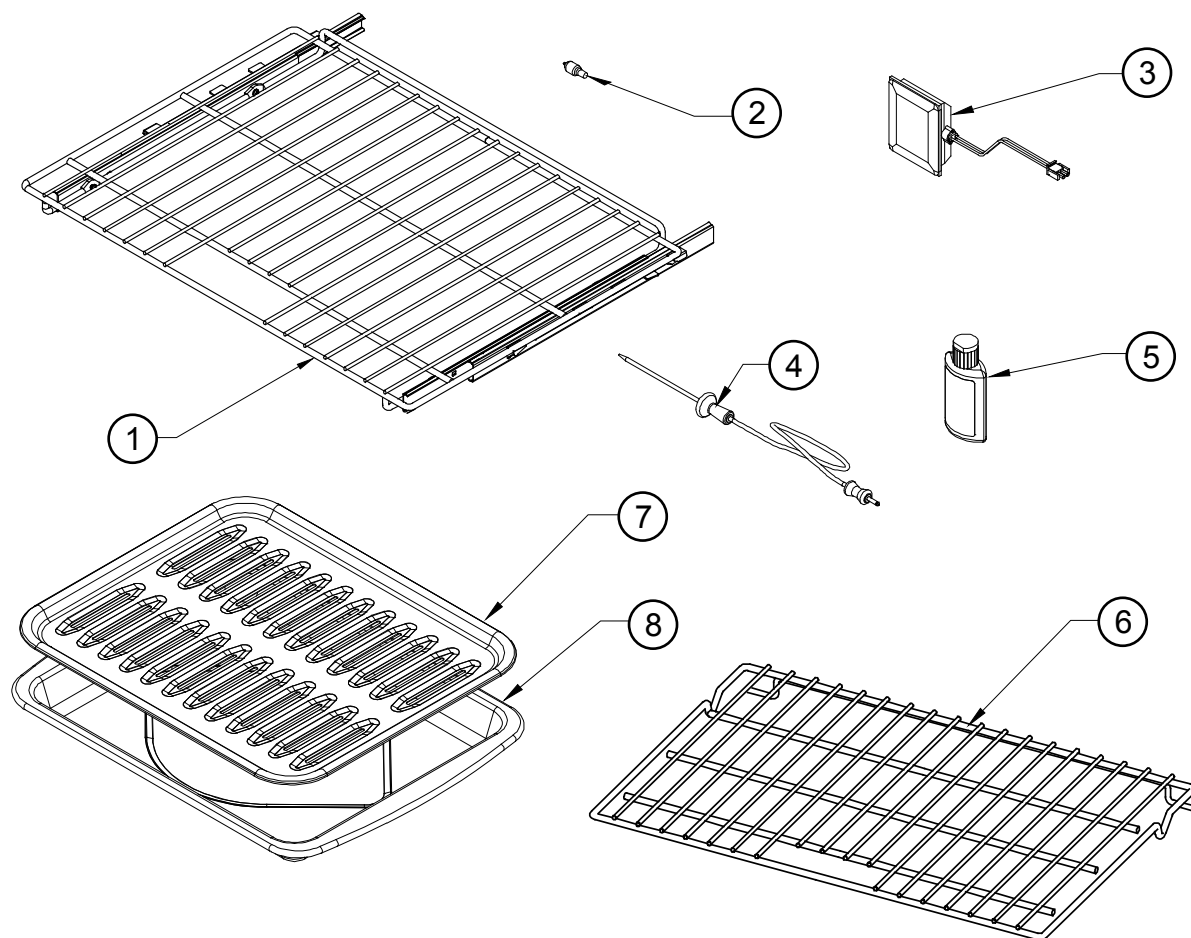
Item	Part #	Description
11	700633	KIT, CONVECTION FAN**
12	82891	FILTER, CONVECTION
13	101511	CONVECTION FAN BLADE
14	83708	SCREW, TORX WAFER HEAD, #8 X 1/2"
15	72717	MEAT PROBE SOCKET***
16	102137	HEX NUT, CONVECTION FAN
17	102136	WASHER, CONVECTION FAN
18	83661	SCREW, WASHER HEAD #8 X 3/8
19	83379	SCREW, #8-1/2 THREAD TYPE A
20	102468	PLUG, PROBE, OVEN CELL****

\*\* Kit includes motor, fan blade, fan blade washer and mounting nut.

\*\*\* Used on upper oven only.

\*\*\*\* Used on lower oven only.

# RO230/ROV230 Wall Oven Miscellaneous Parts



Item	Part #	Description
1	701464	OVEN RACK, GLIDERACK TYPE
2	100429	BULB, HALOGEN, 12V, 20W
3	92398	ASSEMBLY, LIGHT, HALOGEN, 12V, 20W
4	72723	MEAT PROBE
5	100852	STAINLESS STEEL CLEANER
6	106992	OVEN RACK, STANDARD
7	82106	PORCELAIN GRILL
8	82107	PORCELAIN PAN