



The Life of the Kitchen.®

A background image of a kitchen featuring a Dacor double wall oven. The oven is white with a stainless steel top and control panel. On the countertop, there are various kitchen items including a bowl, a bottle, and some fruit. The text "PARTS CATALOG" is overlaid in large, semi-transparent, 3D letters on the oven.

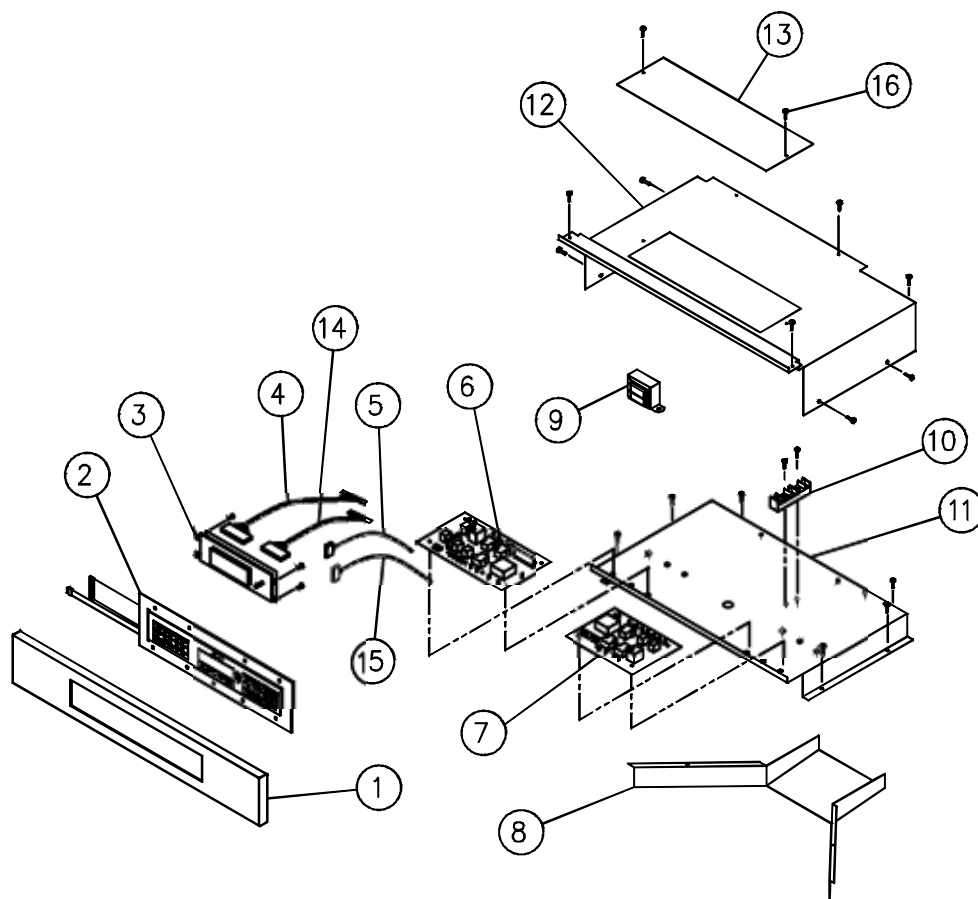
**PARTS
CATALOG**

ECD2xx, ECS2xx Double Wall Ovens

Page	Description
2	Bezel Assembly
3	Door Assembly
4	Case Assembly
5	Convection Cell Assembly
6	Convection Oven Components
7	Non-Convection Cell Assembly
8	Non-Convection Oven Components

Revised 05-03-2012

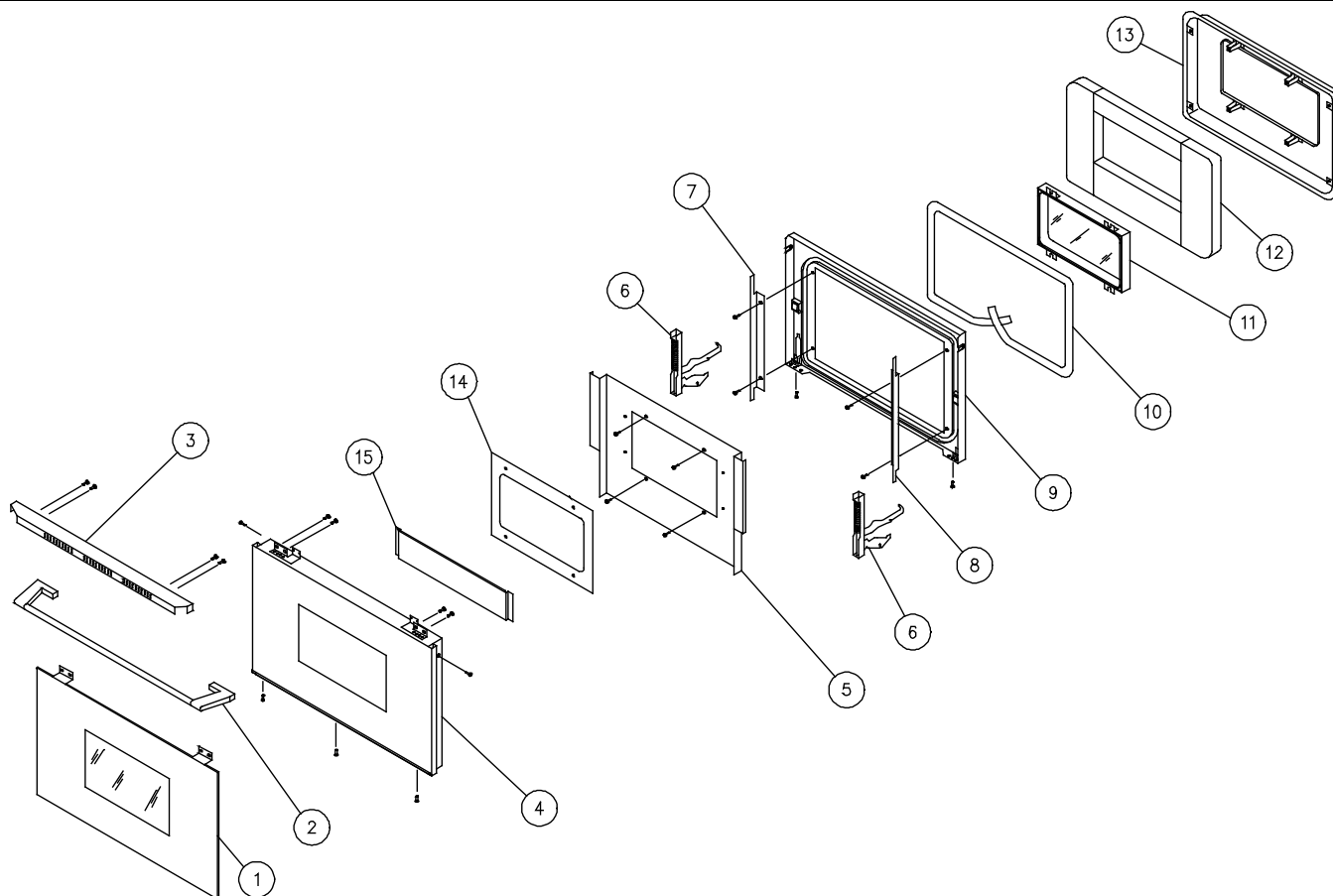
ECD/ECS2xx Double Oven Bezel Assembly



Item	ECD227	ECD230	ECS227	ECS230	Description
1	13400B/R/S	13403B/R/S	13389B/R/S	13402B/R/S	Bezel Assembly, Black (B), Arctic (R) or Stainless (S)
	26444B/R	26269B/R	26444B/R	26269B/R	Bezel Skin, Black (B) or Arctic (R)
2	62684B/R	62684B/R	62683B/R	62683B/R	Membrane, Black (B) or Arctic (R)
3	701007 ¹	701007 ¹	701007 ¹	701007 ¹	Oven Control Kit ¹
4	82445	82445	82445	82445	Harness, ERC to Relay
5	82448	82448	82448	82448	Harness, Sensor Upper
6	62439	62439	62439	62439	Relay Board - Upper
7	82994	82994	82985	82985	Relay Board - Lower
8	27455	27455	27455	27455	Transition Duct
9	62808	62808	62808	62808	Transformer
10	82151	82151	82151	82151	Terminal Block
11	27589	27590	27589	27590	Sub Chassis
12	36311	36312	36311	36312	Top Cover
13	36318	36318	36318	36318	Service Panel
14	82446	82446	82446	82446	Harness, ERC to Relay
15	82449	82449	82449	82449	Harness, Sensor - Lower
16	83031	83031	83031	83031	Screw

¹Kit number 701007 includes the oven control, meat probe and temperature sensor.

ECD/ECS2xx Double Oven Door Assembly



Item	27 Inch	30 Inch	Description
1	66272	66273	Door Skin, Stainless
	82693B/R	82216B/R	Door Glass, Black/Arctic
2	13406Sxx ¹	13407Sxx ¹	Door Handle, Stainless
	13406B/R	13407B/R	Door Handle, Black/Arctic
3	36337	36338	Door Intake Vent, Stainless
	36386B/R	36385B/R	Door Intake Vent, Black/Arctic
4	27612B	26713B	Door Glass Frame, Stainless
	27612B/R	26713B/R	Door Glass Frame, Black/Arctic
	27633	27634	Door Glass for Stainless units
	27633B/R	27634B/R	Door Glass for Black/Arctic
5	26575B ²	36354B ²	Heat Shield Door, Stainless
	36619B ³	36622B ³	Heat Shield Door, Stainless
	26575 ²	26574 ²	Heat Shield Door, Black/Arctic
	36619B ³	36620B ³	Heat Shield Door, Black/Arctic
6	82508	82508	Door Hinge, Stainless
	82883	82883	Door Hinge, Black/Arctic
7	26577 ²	26577 ²	Door Side Shield Right
	36618 ³	36618 ³	Door Side Shield Right
8	26576 ²	26576 ²	Door Side Shield Left
	36617 ³	36617 ³	Door Side Shield Left

Item	27 Inch	30 Inch	Description
9	86744	86746 ²	Door Outer Liner
	86744	27460BP ³	Door Outer Liner
10	72026 ²	72027 ²	Door Gasket
	72016 ³	72020 ³	Door Gasket
11	12470 ²	12470 ²	Window Pack
	72148 ³	72148 ³	Window Pack
12	80173 ²	80172 ²	Insulation
	80212 ³	80213 ³	Insulation
13	27423BP ²	27459BP ²	Inner Door Liner
	27727BP ³	27728BP ³	Inner Door Liner
14	36377BP	36377BP	Window Mask
15	36353B	36345B	Inner Heat Shield, Stainless
	36353B/R	36345B/R	Inner Heat Shield, Black/Arctic
-	83618 ³	83618 ³	Door Bumper
-	66621 ⁴	66623 ⁴	Inner Door Assy, Stainless
-	66620 ⁴	66622 ⁴	Inner Door Assy, Black/Arctic
-	66552B/R ⁵	66553B/R ⁵	Outer Frame with Glass Assembly, Black/Arctic

¹Specify color:

CH = chrome, BK = black, BR = brass, CP = copper

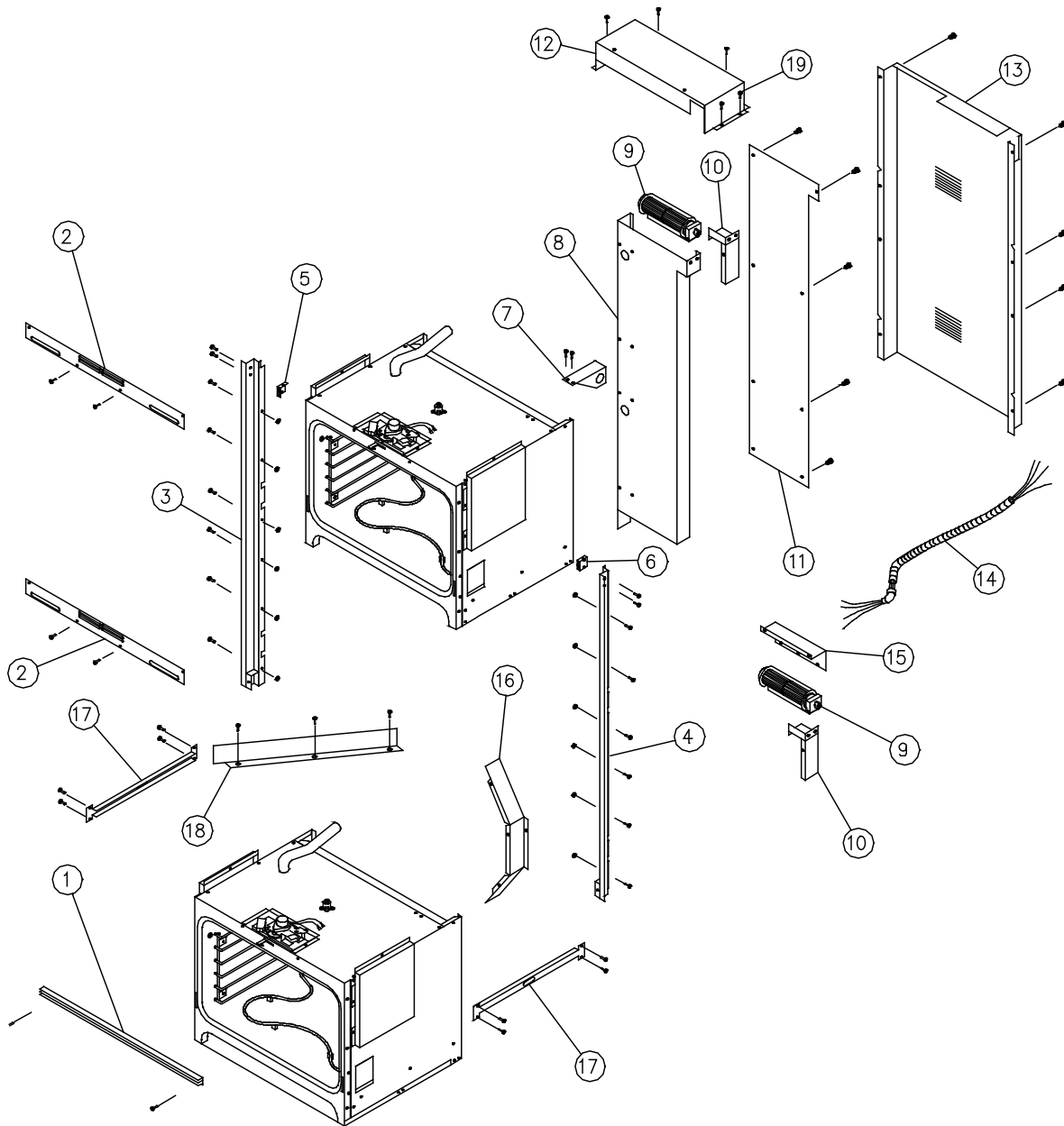
²Single wall ovens before serial revision VC1322615.

³Single wall ovens after serial revision VC1322615.

⁴Includes items 5, 6, 7, 8, 9, 10, 11, 12, 13, and 14.

⁵Includes items 1, 4, door bumpers and right /left trim pieces.

ECD/ECS2xx Double Oven Case Assembly



Item	27 Inch	30 Inch	Description
1	82990x ¹	82229x ¹	EXHAUST GRILL
2	26609B ²	26638B ²	CELL INTAKE VENT
	36830B ³	36829B ³	CELL INTAKE VENT
3	27667x ¹	27667x ¹	TRIM POST, LEFT
4	27666x ¹	27666x ¹	TRIM POST, RIGHT
5	86676	86676	BEZEL MOUNTING BRACKET, LEFT
6	86675	86675	BEZEL MOUNTING BRACKET, RIGHT
7	26584	26584	CONDUIT BRACKET
8	27456	26657	EXHAUST DUCT

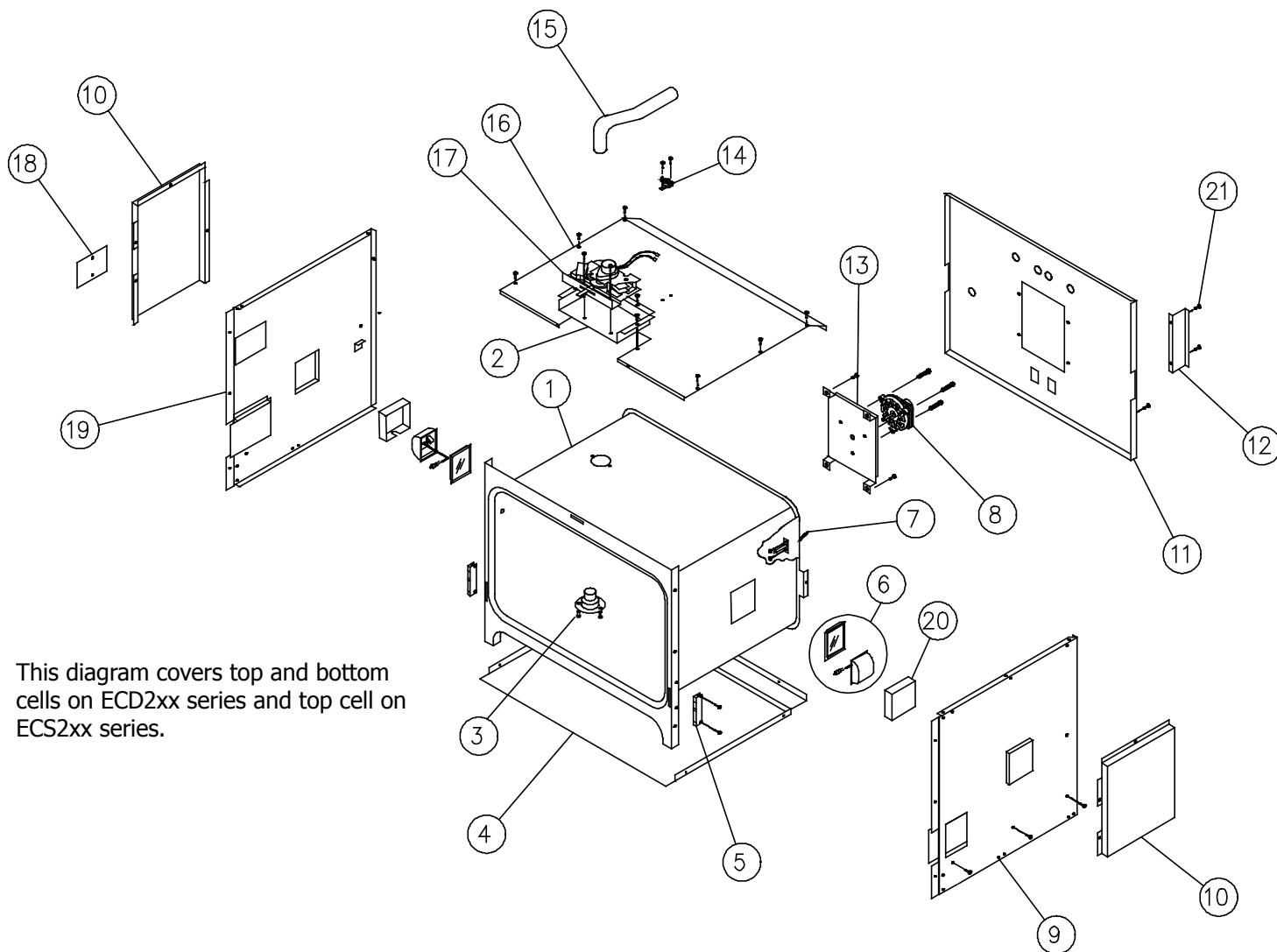
Item	27 Inch	30 Inch	Description
9	82986	82986	COOLING FAN
10	27457	27457	EXHAUST DIVIDER
11	26612	26659	EXHAUST DUCT COVER
12	26600	26635	TOP COVER REAR
13	27472	27477	BACK COVER
14	26430	26430	CONDUIT
15	27475	27475	MOUNTING BRACKET
16	26608	26608	LOWER BAFFLE
17	36319	36319	SUPPORT BRACKET
18	26599	26599	LOWER AIR BAFFLE
19	83011	83011	SCREW

¹Specify color B = Black, R = Arctic, S = Stainless

²Single wall ovens before Rev F.

³Single wall ovens Rev F and later.

ECD/ECS2xx Convection Cell Assembly



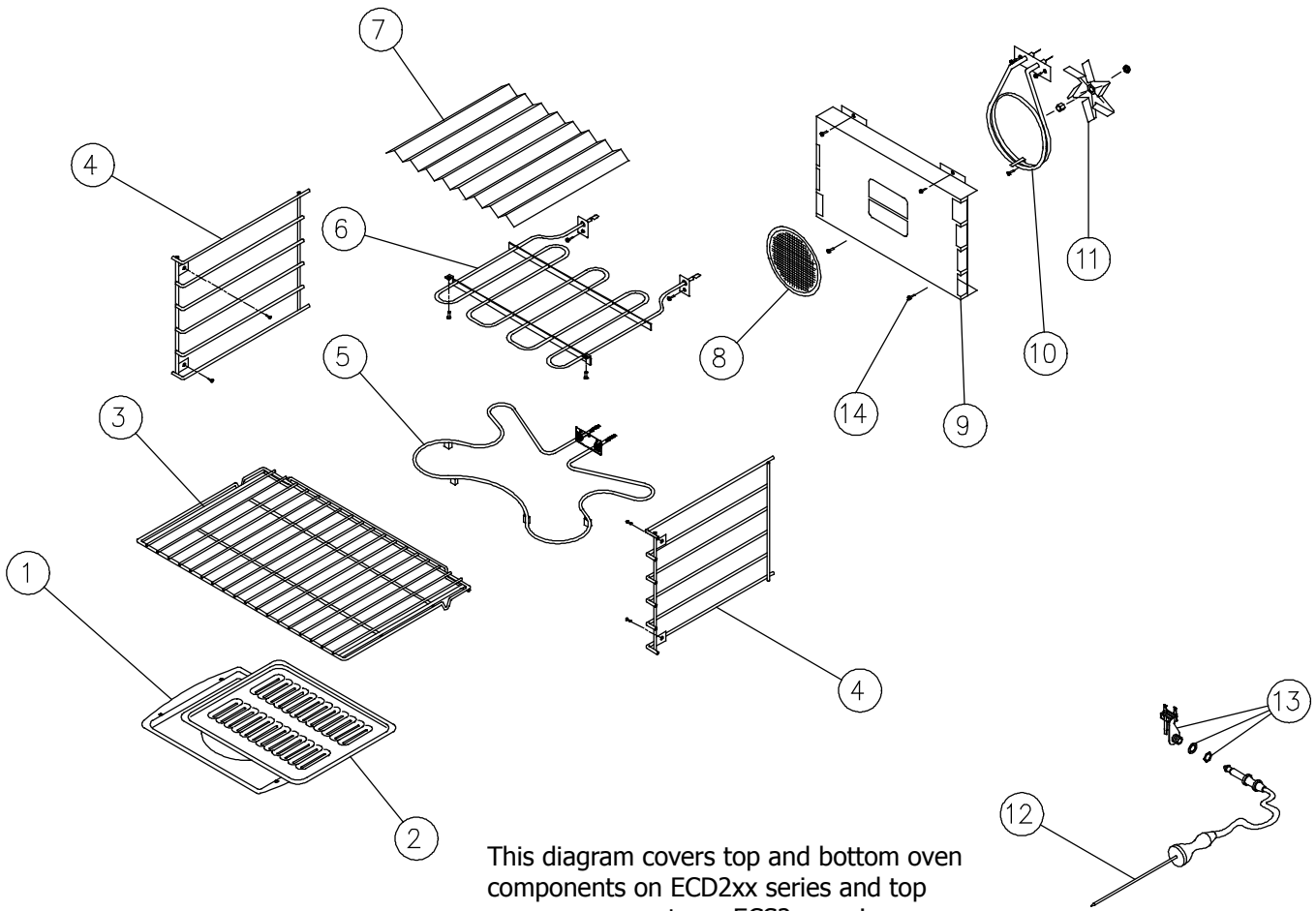
This diagram covers top and bottom cells on ECD2xx series and top cell on ECS2xx series.

Item	27 Inch	30 Inch	Description
1	NA	NA	CELL (not replaceable)
2	26598	26598	LATCH PLATE
3	82826	82826	SMOKE ELIMINATOR
4	26597	26633	CASE BOTTOM
5	82851	82851	ROLLER HINGE
6	62175 ¹	62175 ¹	HALOGEN LIGHT ASSY ¹
7	62593	62593	SENSOR
8	82647	82647	CONVECTION MOTOR
9	27600	27600	CASE SIDE RIGHT
10	36309	36309	SIDE HEAT SHIELD

Item	27 Inch	30 Inch	Description
11	36281	36282	CASE BACK
12	26606	26606	STIFFENER BRKT
13	36280	36280	MTR MTG PLATE
14	62775	62775	THERMAL SWITCH
15	82695	82695	EXHAUST TUBE
16	26581	26581	CASE TOP
17	86166	86166	DOOR LATCH
18	36279	36279	MEAT PROBE COVER
19	27599	27599	CASE SIDE LEFT
20	36105	36105	HEAT SHIELD
21	83011	83011	SCREW

¹Order part number 86573 for light bulb alone.

ECD/ECS2xx Convection Oven Components

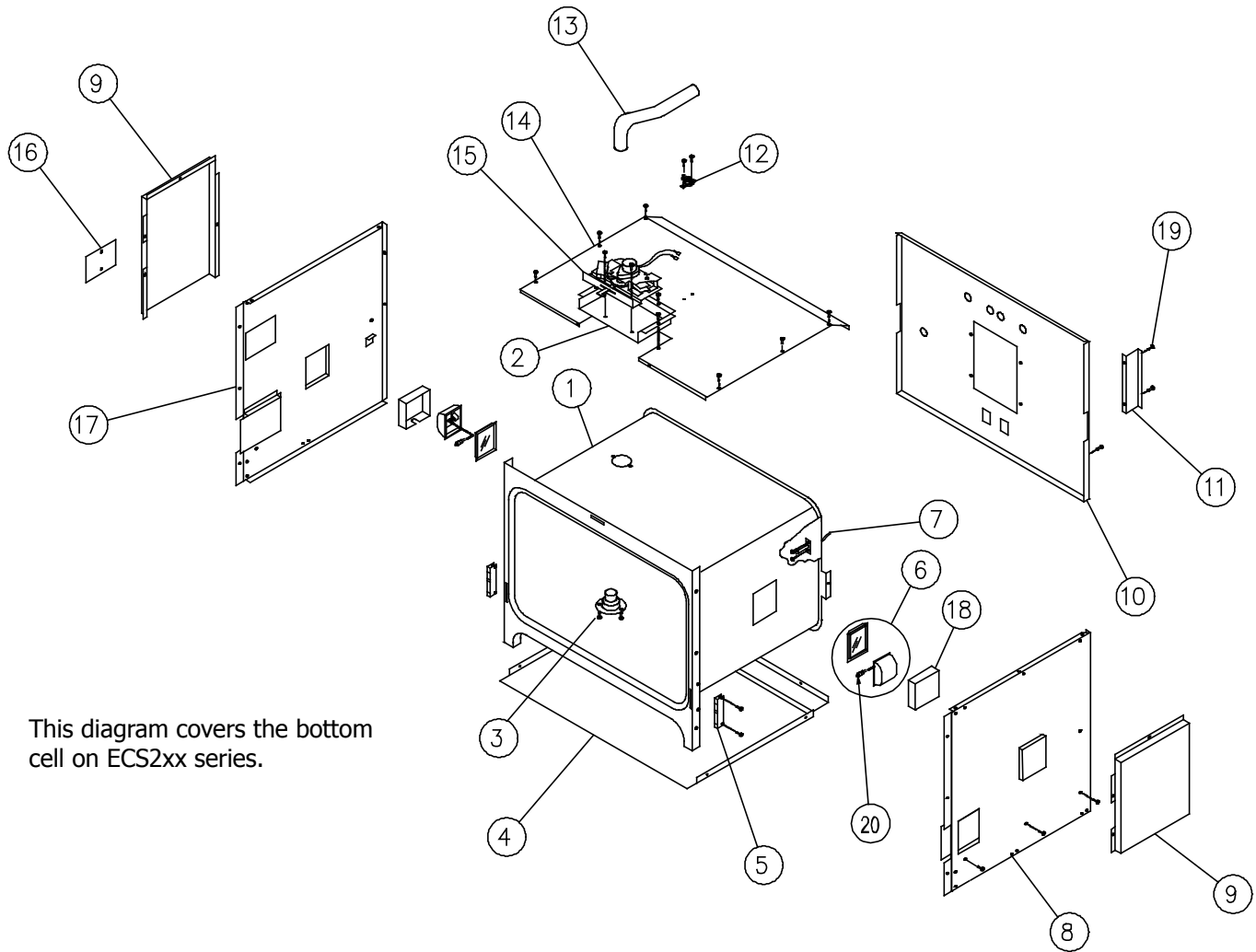


This diagram covers top and bottom oven components on ECD2xx series and top oven components on ECS2xx series.

Item	27 Inch	30 Inch	Description
1	82107	82107	BROIL PAN
2	82106	82106	BROIL COVER
3	62137	62139	OVEN RACK
	72767	72915	GLIDERACK OVEN RACK
4	82650	82650	SUPPORT, RACK
5	62636	62637	BAKE ELEMENT
6	62723	62723	BROIL ELEMENT
7	36509	36509	BROIL REFLECTOR

Item	27 Inch	30 Inch	Description
8	82891	82891	FILTER CONVECTION
9	36486BP	36487BP	CONVECTION BAFFLE
10	82377	82377	CONVECTION ELEMENT
11	82651	82651	CONV FAN BLADE
12	62713	62713	MEAT PROBE
13	62714	62714	PROBE SOCKET
14	83534	83534	CELL SCREW

ECS2xx Non-Convection Cell Assembly



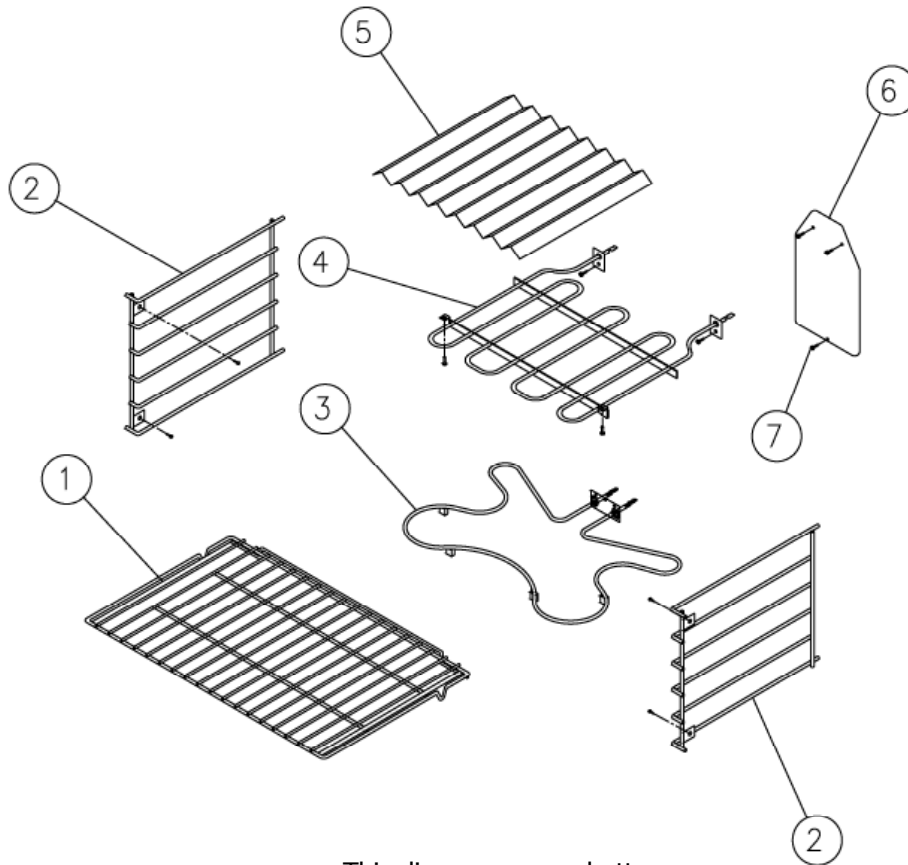
This diagram covers the bottom cell on ECS2xx series.

Item	ECS227	ECS230	Description
1	NA	NA	CELL (not replaceable)
2	26598	26598	LATCH PLATE
3	82826	82826	SMOKE ELIMINATOR
4	26597	26633	CASE BOTTOM
5	82851	82851	ROLLER HINGE
6	62175	62175	HALOGEN LIGHT ASSY ¹
7	62593	62593	SENSOR
8	27600	27600	CASE SIDE, RIGHT
9	36309	36309	SIDE HEAT SHIELD
10	36281	36282	CASE BACK

Item	ECS227	ECS230	Description
11	26606	26606	STIFFENER BRKT
12	62775	62775	THERMAL SWITCH
13	82695	82240	EXHAUST TUBE
14	26581	26629	CASE TOP
15	86166	86166	DOOR LATCH
16	36279	36279	PROBE COVER
17	27599	27599	CASE SIDE, LEFT
18	36105	36105	HEAT SHIELD
19	83011	83011	SCREW
20	86573	86573	LIGHT BULB (only)

¹Includes light bulb. For bulb alone, order item 20.

ECS2xx Non-Convection Oven Components



This diagram covers bottom oven components on ECS2xx series.

Item	ECS227	ECS230	Description
1	62138	62140	NON-CONVECTION OVEN RACK
	72767	72915	GLIDERACK OVEN RACK
2	82650	82650	SUPPORT, RACK
3	62636	62637	BAKE ELEMENT
4	62723	62723	BROIL ELEMENT
5	36509	36509	BROIL REFLECTOR
6	26545BP	26545BP	COVER PLATE
7	83534	83534	CELL SCREW