

The Dacor logo is rendered in a bold, italicized, sans-serif font with a metallic, 3D effect. The letters are dark with a lighter, reflective highlight on the top and left sides, giving it a sleek, modern appearance. A registered trademark symbol (®) is located to the right of the logo.

# **dacor**®

The Life of the Kitchen.®

A faded background image of a kitchen featuring a Dacor double wall oven. The oven is white with a stainless steel top and control panel. On the countertop, there are various kitchen items including a bowl, a bottle, and some produce. The text 'PARTS CATALOG' is overlaid in large, bold, 3D letters on the oven.

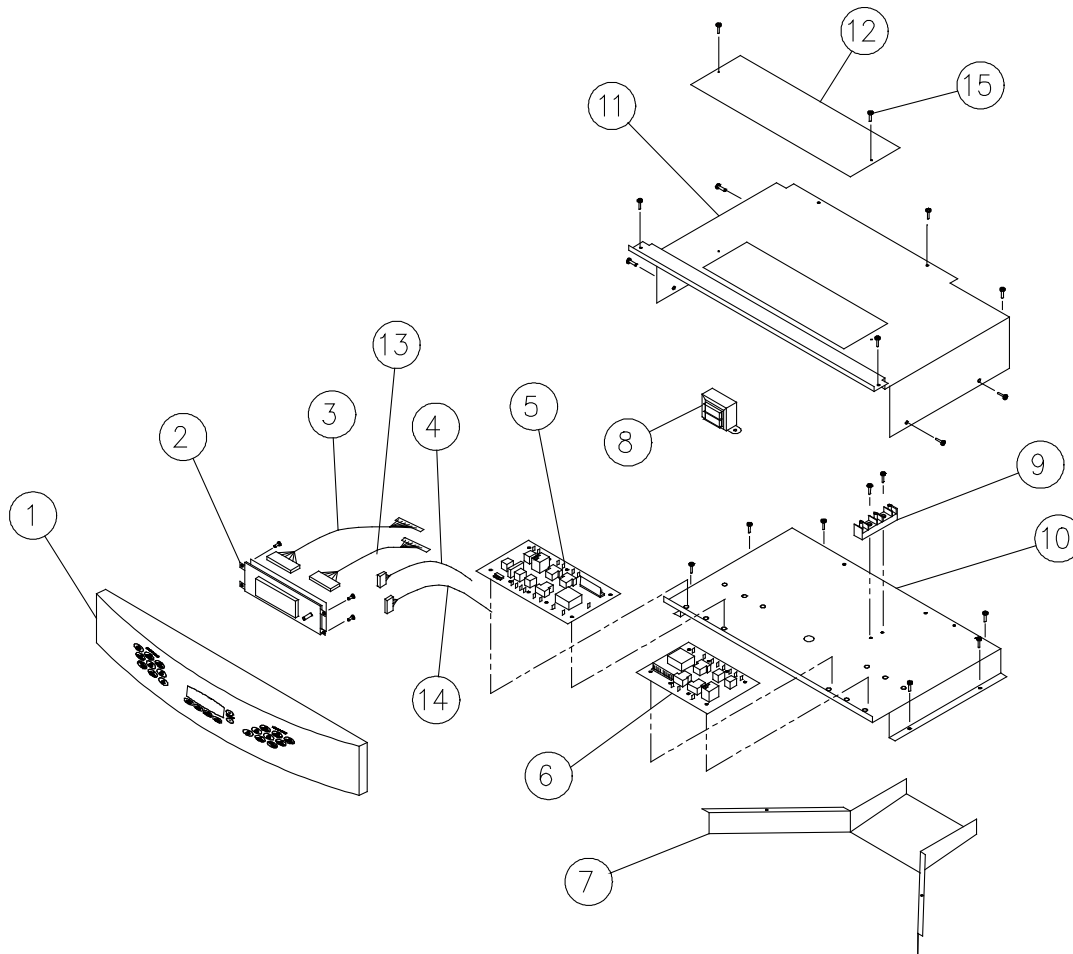
## **PARTS CATALOG**

### **PCD2xx, PCS2xx Double Wall Ovens**

<b>Page</b>	<b>Description</b>
<b>2</b>	<b>Bezel Assembly</b>
<b>3</b>	<b>Door Assembly</b>
<b>4</b>	<b>Case Assembly</b>
<b>5</b>	<b>Convection Cell Assembly</b>
<b>6</b>	<b>Convection Oven Components</b>
<b>7</b>	<b>Non-Convection Cell Assembly</b>
<b>8</b>	<b>Non-Convection Oven Components</b>

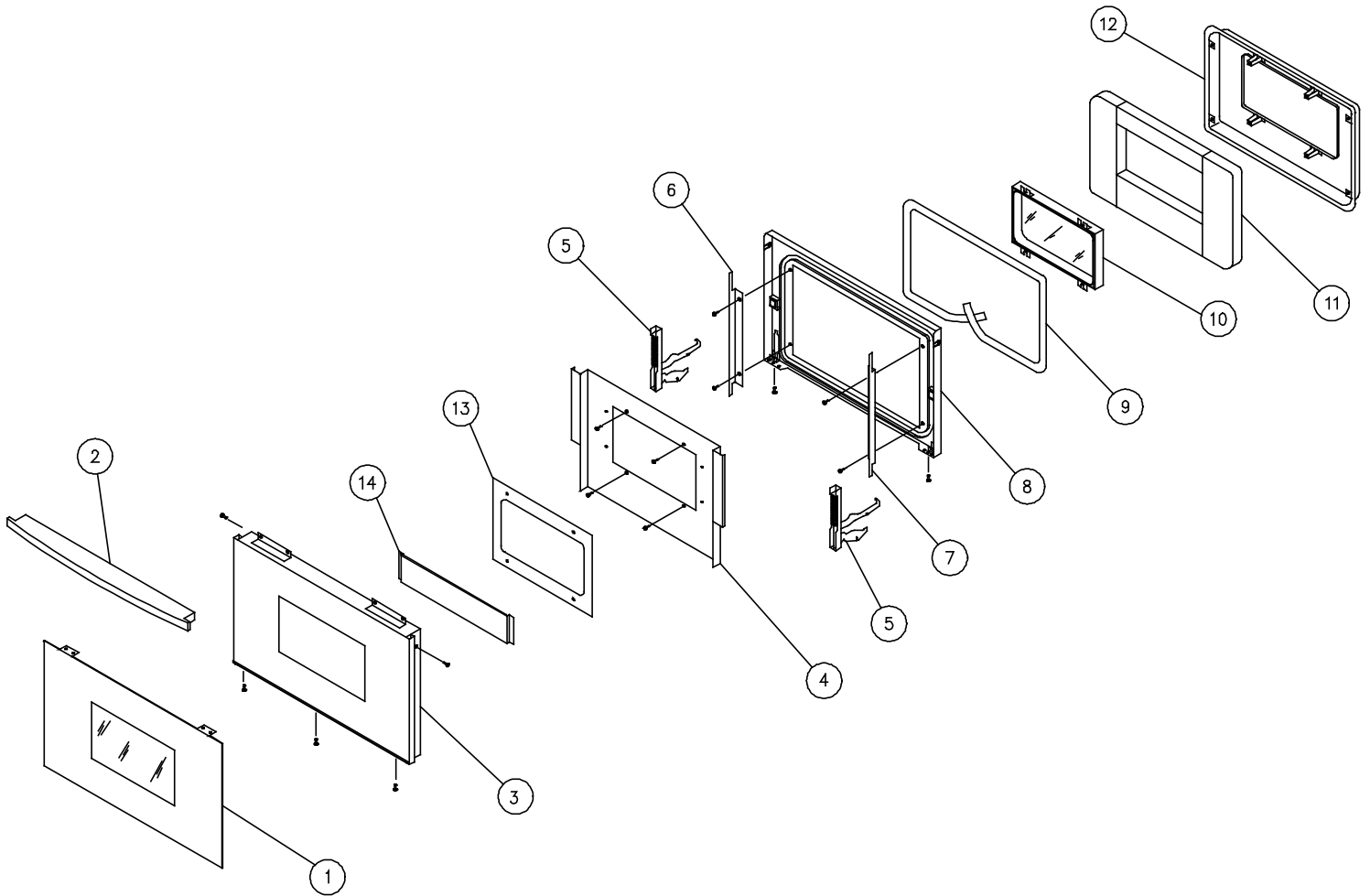
Revised 05-03-2012

# PCD/PCS2xx Double Oven Bezel Assembly



Item	PCD227	PCD230	PCS227	PCS230	Description
1	13379B/R/S	13382B/R/S	13378B/R/S	13381B/R/S	Bezel Assembly, Black (B), Arctic (R) or Stainless (S)
2	62965	62965	62965	62965	ERC
3	82445	82445	82445	82445	Harness, ERC to Relay
4	82448	82448	82448	82448	Harness, Sensor Upper
5	62439	62439	62439	62439	Relay Board - Upper
6	82994	82994	82985	82985	Relay Board - Lower
7	27455	27455	27455	27455	Transition Duct
8	62808	62808	62808	62808	Transformer
9	82151	82151	82151	82151	Terminal Block
10	27589	27590	27589	27590	Sub Chassis
11	36311	36312	36311	36312	Top Cover
12	36318	36318	36318	36318	Service Panel
13	82446	82446	82446	82446	Harness, ERC to Relay
14	82449	82449	82449	82449	Harness, Sensor - Lower
15	83031	83031	83031	83031	Screw

# PCD/PCS2xx Double Oven Door Assembly



Item	27 Inch	30 Inch	Description
1	66276	66277	Door Skin, Stainless
	66096	66099	Door Glass Assy, Black
	66097	66100	Door Glass Assy, Arctic
2	62652S	62653S	Door Handle, Stainless
	62652B/R	62653B/R	Door Handle, Black/Arctic
3	27606B	27607B	Door Glass Mtg. Frame, Stain.
	27587B/R	27598B/R	Door Glass Mtg. Fr, Black/Arct.
4	NA	36354 <sup>1</sup>	Heat Shield Door, Stainless
	NA	36622B <sup>2</sup>	Heat Shield Door, Stainless
	26575 <sup>1</sup>	26574B <sup>1</sup>	Heat Shield Door, Black/Arctic
	36619B <sup>2</sup>	36620B <sup>2</sup>	Heat Shield Door, Black/Arctic
5	82508	82508	Door Hinge, Stainless
	82883	82883	Door Hinge, Black/Arctic
6	26577 <sup>1</sup>	26577 <sup>1</sup>	Door Side Shield Left
	36617 <sup>2</sup>	36617 <sup>2</sup>	Door Side Shield Left
7	26576 <sup>1</sup>	26576 <sup>1</sup>	Door Side Shield Right
	36618 <sup>2</sup>	36618 <sup>2</sup>	Door Side Shield Right

Item	27 Inch	30 Inch	Description
8	86744	86746 <sup>1</sup>	Door Outer Liner
	86744	27460BP <sup>2</sup>	Door Outer Liner
9	72026 <sup>1</sup>	72027 <sup>1</sup>	Door Gasket
	72016 <sup>2</sup>	72020 <sup>2</sup>	Door Gasket
10	12470 <sup>1</sup>	12470 <sup>1</sup>	Window Pack
	72148 <sup>2</sup>	72148 <sup>2</sup>	Window Pack
11	80173 <sup>1</sup>	80172 <sup>1</sup>	Insulation
	80212 <sup>2</sup>	80213 <sup>2</sup>	Insulation
12	27423BP <sup>1</sup>	27459BP <sup>1</sup>	Inner Door Liner
	27727BP <sup>2</sup>	27728BP <sup>2</sup>	Inner Door Liner
13	36377BP	36377BP	Window Mask
14	36353	36354	Inner Heat Shield, Stainless
	36353B/R	36354B/R	Inner Heat Shield, Black/Arctic
-	83618 <sup>2</sup>	83618 <sup>2</sup>	Door Bumper
-	66621 <sup>3</sup>	66623 <sup>3</sup>	Inner Door Assy, Stainless
-	66620 <sup>3</sup>	66622 <sup>3</sup>	Inner Door Assy, Black/Arctic
-	66584B/R <sup>4</sup>	66549B/R <sup>4</sup>	Outer Frame with Glass Assembly, Black/Arctic

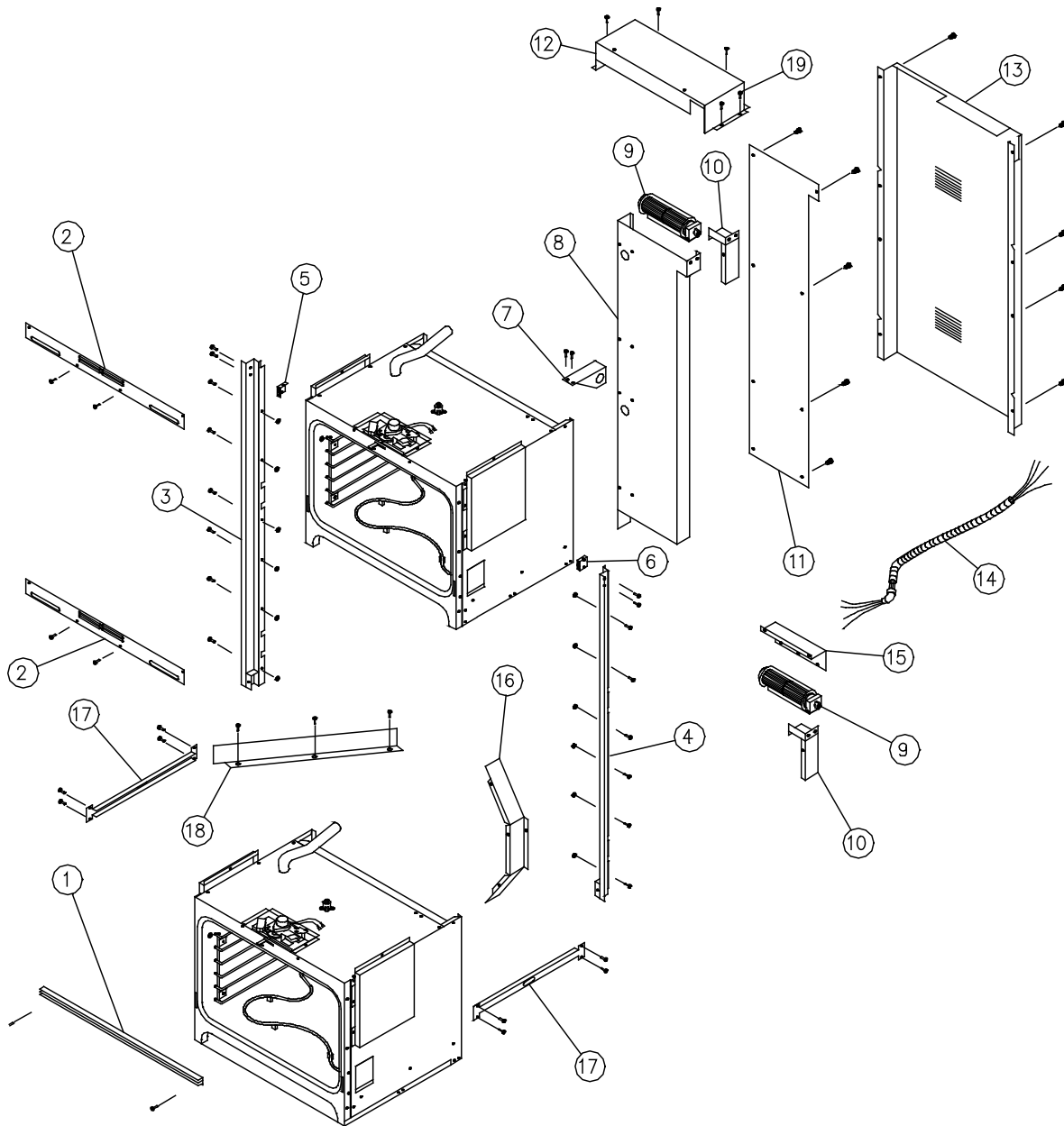
<sup>1</sup>Single wall ovens before serial revision VC1322615.

<sup>2</sup>Single wall ovens after serial revision VC1322615.

<sup>3</sup>Includes items 4, 5, 6, 7, 8, 9, 10, 11, 12, and 13.

<sup>4</sup>Includes items 1, 3, door bumpers and right/left trim pieces.

# PCD/PCS2xx Double Oven Case Assembly



Item	27 Inch	30 Inch	Description
1	82990x <sup>1</sup>	82229x <sup>1</sup>	EXHAUST GRILL
2	26609B <sup>2</sup>	26638B <sup>2</sup>	CELL INTAKE VENT
	36830B <sup>3</sup>	36829B <sup>3</sup>	CELL INTAKE VENT
3	27667x <sup>1</sup>	27667x <sup>1</sup>	TRIM POST, LEFT
4	27666x <sup>1</sup>	27666x <sup>1</sup>	TRIM POST, RIGHT
5	86676	86676	BEZEL MOUNTING BRACKET, LEFT
6	86675	86675	BEZEL MOUNTING BRACKET, RIGHT
7	26584	26584	CONDUIT BRACKET
8	27456	26657	EXHAUST DUCT

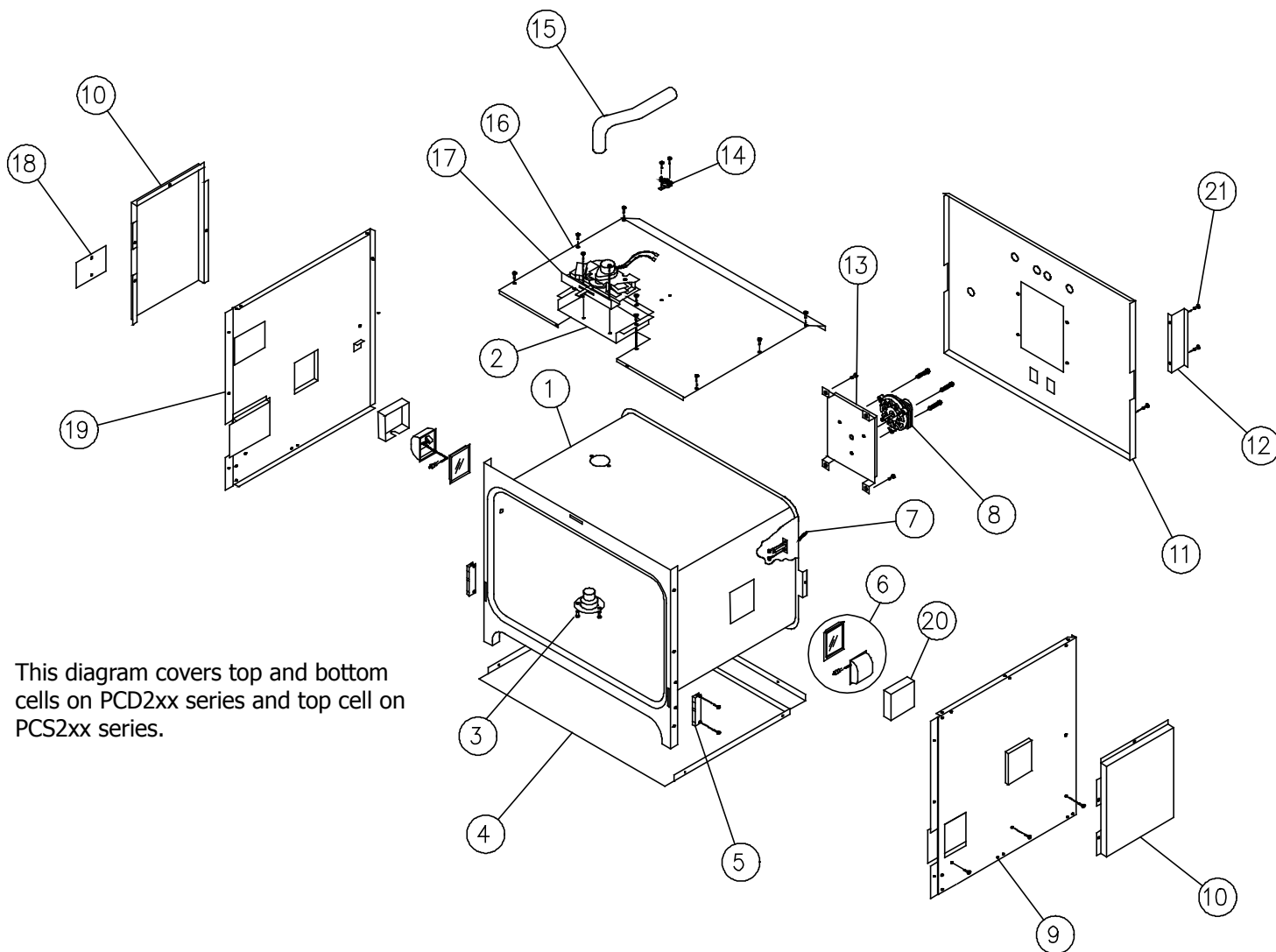
Item	27 Inch	30 Inch	Description
9	82986	82986	COOLING FAN
10	27457	27457	EXHAUST DIVIDER
11	26612	26659	EXHAUST DUCT COVER
12	26600	26635	TOP COVER REAR
13	27472	27477	BACK COVER
14	26430	26430	CONDUIT
15	27475	27475	MOUNTING BRACKET
16	26608	26608	LOWER BAFFLE
17	36319	36319	SUPPORT BRACKET
18	26599	26599	LOWER AIR BAFFLE
19	83011	83011	SCREW

<sup>1</sup>Specify color B = Black, R = Arctic, S = Stainless

<sup>2</sup>Double wall ovens before Rev F.

<sup>3</sup>Double wall ovens Rev F and later.

# PCD/PCS2xx Convection Cell Assembly



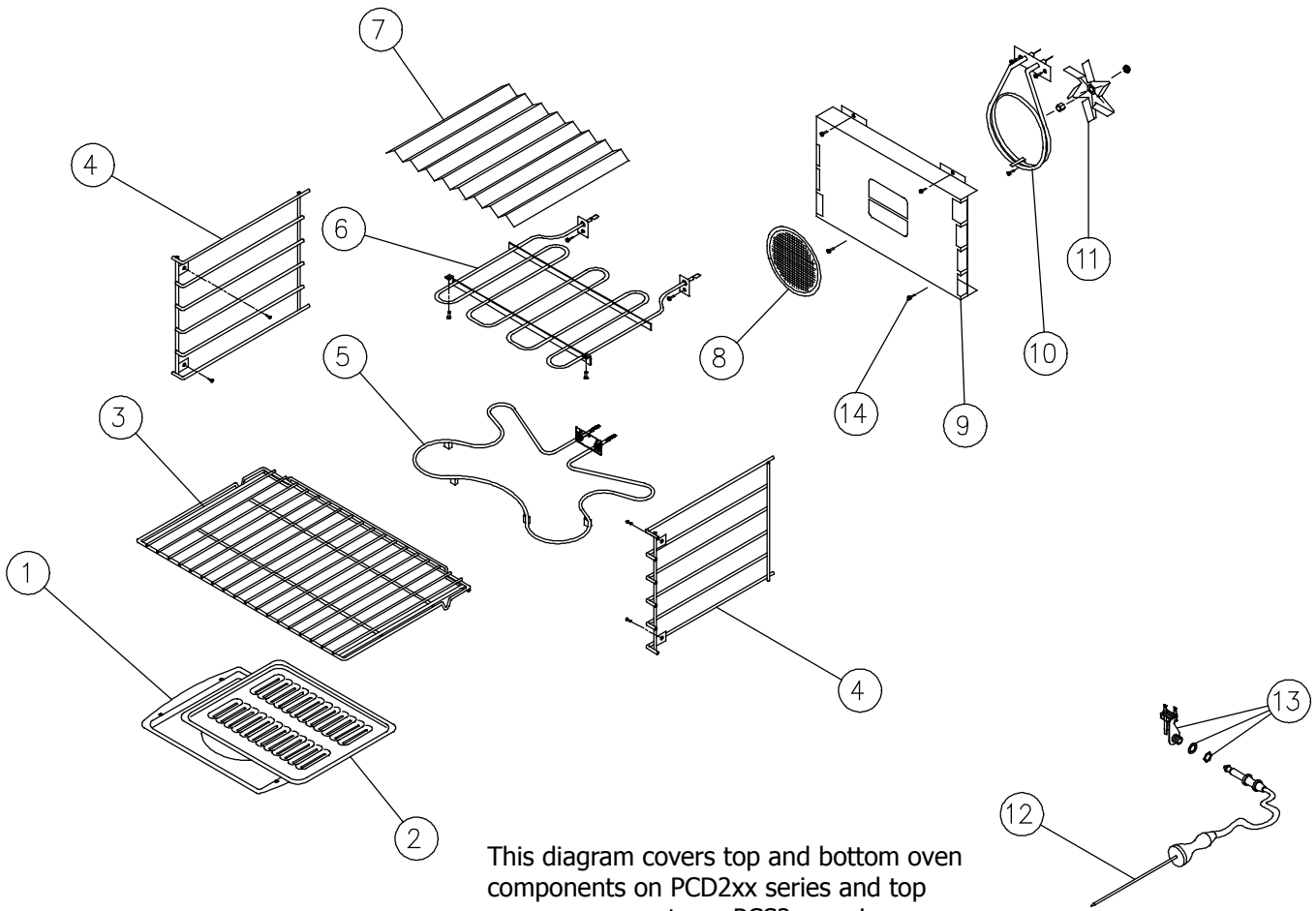
This diagram covers top and bottom cells on PCD2xx series and top cell on PCS2xx series.

Item	27 Inch	30 Inch	Description
<b>1</b>	NA	NA	CELL (not replaceable)
<b>2</b>	26598	26598	LATCH PLATE
<b>3</b>	82826	82826	SMOKE ELIMINATOR
<b>4</b>	26597	26633	CASE BOTTOM
<b>5</b>	82851	82851	ROLLER HINGE
<b>6</b>	62175 <sup>1</sup>	62175 <sup>1</sup>	HALOGEN LIGHT ASSY <sup>1</sup>
<b>7</b>	62593	62593	SENSOR
<b>8</b>	82647	82647	CONVECTION MOTOR
<b>9</b>	27600	27600	CASE SIDE RIGHT
<b>10</b>	36309	36309	SIDE HEAT SHIELD

Item	27 Inch	30 Inch	Description
<b>11</b>	36281	36282	CASE BACK
<b>12</b>	26606	26606	STIFFENER BRKT
<b>13</b>	36280	36280	MTR MTG PLATE
<b>14</b>	62775	62775	THERMAL SWITCH
<b>15</b>	82695	82695	EXHAUST TUBE
<b>16</b>	26581	26581	CASE TOP
<b>17</b>	86166	86166	DOOR LATCH
<b>18</b>	36279	36279	MEAT PROBE COVER
<b>19</b>	27599	27599	CASE SIDE LEFT
<b>20</b>	36105	36105	HEAT SHIELD
<b>21</b>	83011	83011	SCREW

<sup>1</sup>Order part number 86573 for light bulb alone.

# PCD/PCS2xx Convection Oven Components

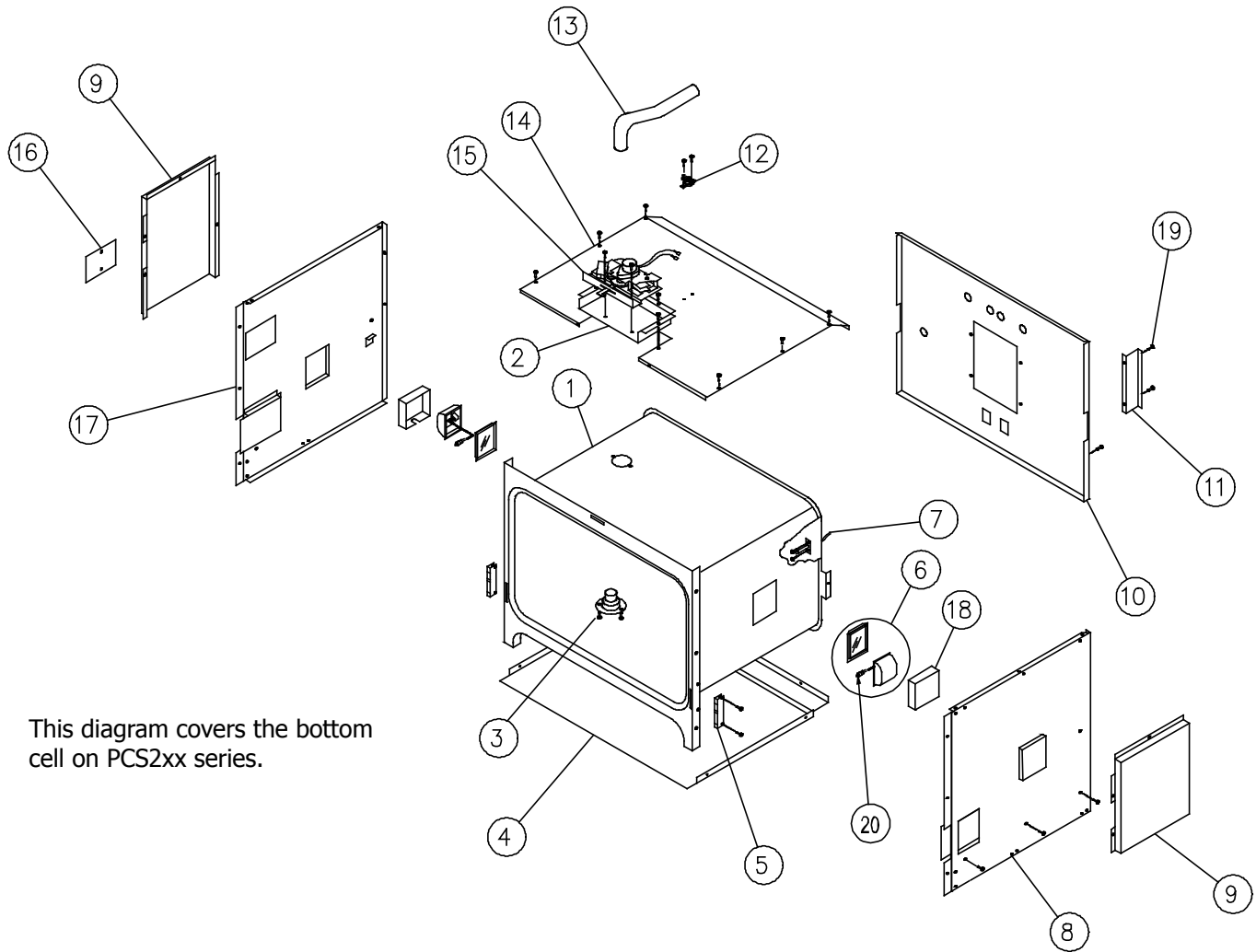


This diagram covers top and bottom oven components on PCD2xx series and top oven components on PCS2xx series.

Item	27 Inch	30 Inch	Description
<b>1</b>	82107	82107	BROIL PAN
<b>2</b>	82106	82106	BROIL COVER
<b>3</b>	62137	62139	OVEN RACK
	72767	72915	GLIDERACK OVEN RACK
<b>4</b>	82650	82650	SUPPORT, RACK
<b>5</b>	62636	62637	BAKE ELEMENT
<b>6</b>	62723	62723	BROIL ELEMENT
<b>7</b>	36509	36509	BROIL REFLECTOR

Item	27 Inch	30 Inch	Description
<b>8</b>	82891	82891	FILTER CONVECTION
<b>9</b>	26486BP	26486BP	CONVECTION BAFFLE
<b>10</b>	82377	82377	CONVECTION ELEMENT
<b>11</b>	82651	82651	CONV FAN BLADE
<b>12</b>	62713	62713	MEAT PROBE
<b>13</b>	62714	62714	PROBE SOCKET
<b>14</b>	83534	83534	CELL SCREW

# PCS2xx Non-Convection Cell Assembly



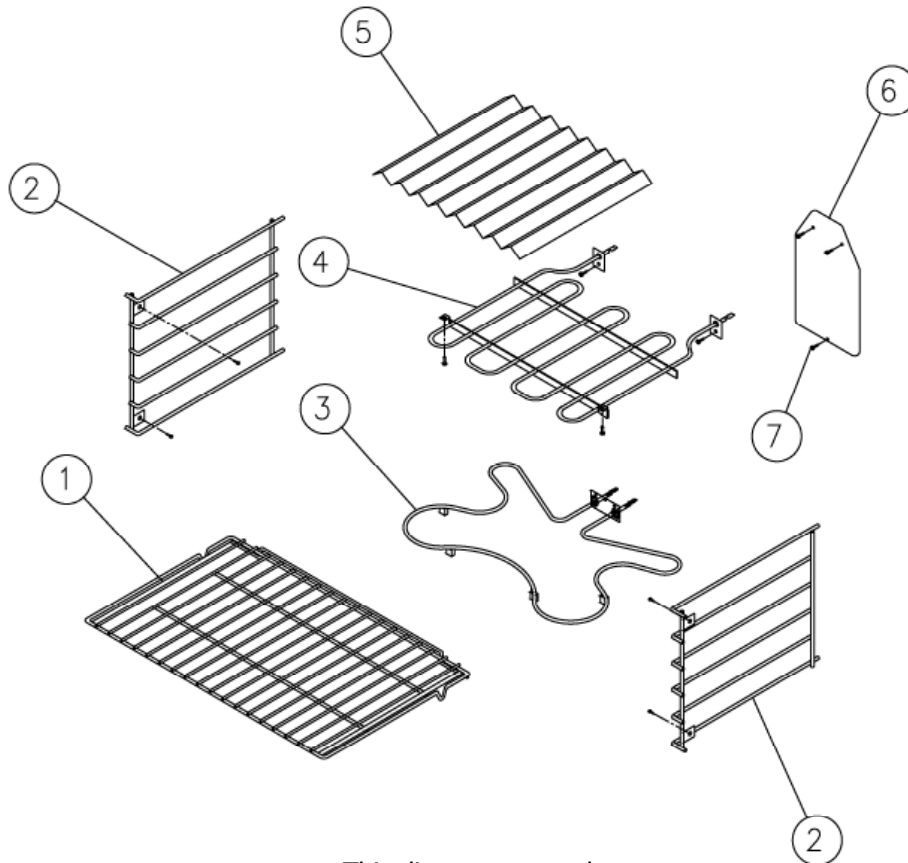
This diagram covers the bottom cell on PCS2xx series.

Item	PCS227	PCS230	Description
<b>1</b>	NA	NA	CELL (not replaceable)
<b>2</b>	26598	26598	LATCH PLATE
<b>3</b>	82826	82826	SMOKE ELIMINATOR
<b>4</b>	26597	26633	CASE BOTTOM
<b>5</b>	82851	82851	ROLLER HINGE
<b>6</b>	62175	62175	HALOGEN LIGHT ASSY <sup>1</sup>
<b>7</b>	62593	62593	SENSOR
<b>8</b>	27600	27600	CASE SIDE RIGHT
<b>9</b>	36309	36309	SIDE HEAT SHIELD
<b>10</b>	36281	36282	CASE BACK

Item	PCS227	PCS230	Description
<b>11</b>	26606	26606	STIFFENER BRKT
<b>12</b>	62775	62775	THERMAL SWITCH
<b>13</b>	82695	36282	EXHAUST TUBE
<b>14</b>	26581	26629	CASE TOP
<b>15</b>	86166	86166	DOOR LATCH
<b>16</b>	36279	36279	PROBE COVER
<b>17</b>	27599	27599	CASE SIDE, LEFT
<b>18</b>	36105	36105	HEAT SHIELD
<b>19</b>	83011	83011	SCREW
<b>20</b>	86573	86573	LIGHT BULB (only)

<sup>1</sup>Includes light bulb. For bulb alone, order item 20.

# PCS2xx Non-Convection Oven Components



This diagram covers bottom oven components on PCS2xx series.

Item	PCS227	PCS230	Description
<b>1</b>	62138	62139	NON-CONVECTION OVEN RACK
	72767	72915	GLIDERACK OVEN RACK
<b>2</b>	82650	82650	SUPPORT, RACK
<b>3</b>	62636	62637	BAKE ELEMENT
<b>4</b>	62723	62723	BROIL ELEMENT
<b>5</b>	36509	36509	BROIL REFLECTOR
<b>6</b>	26545BP	26545BP	COVER PLATE
<b>7</b>	83534	83534	CELL SCREW