

The Dacor logo is written in a bold, italicized, sans-serif font.

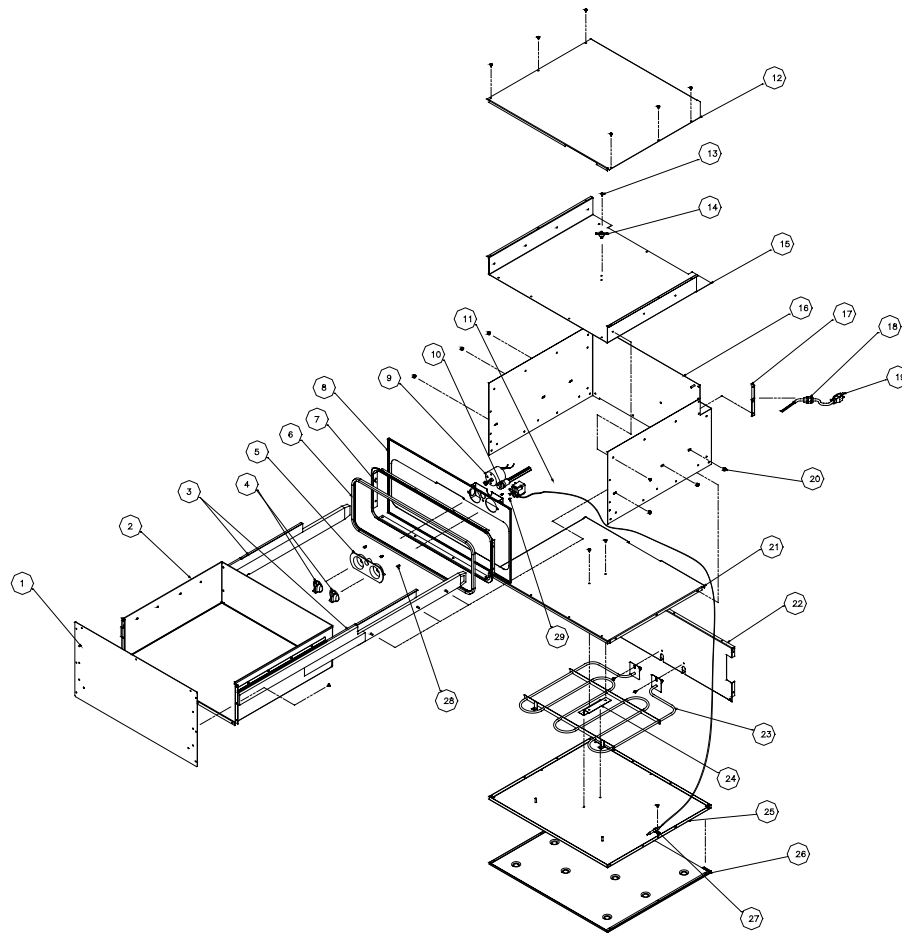
Family-Owned. American-Made.

A faded background image of a kitchen featuring a stainless steel Dacor range with a warming oven, a sink, and various kitchen items on the counter.

PARTS
CATALOG

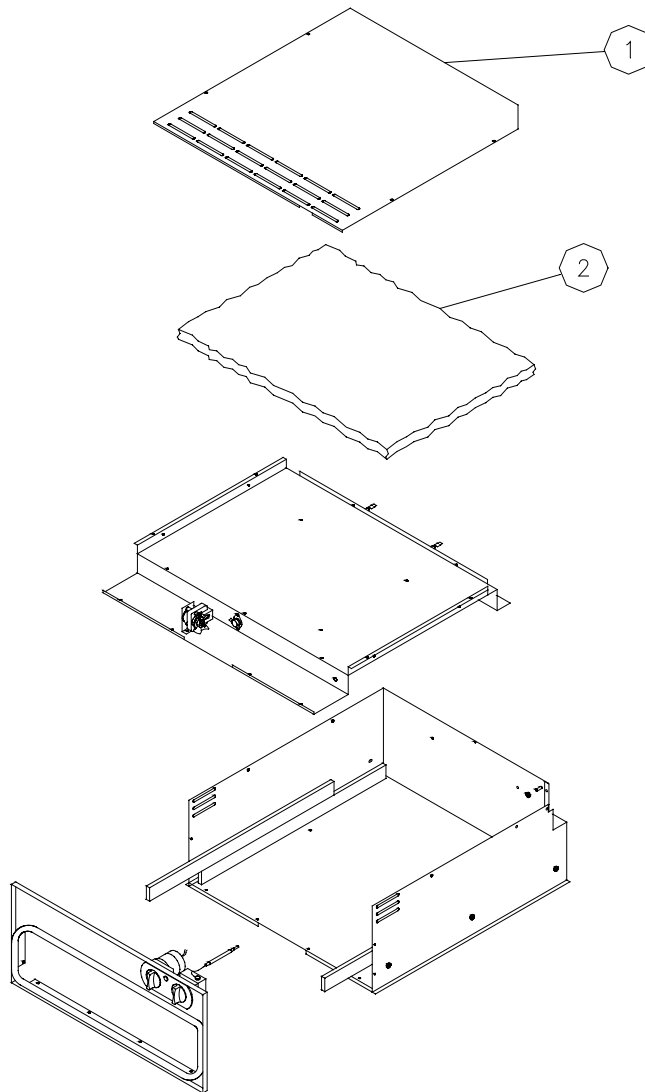
Integrated Warming Ovens

IWO		IOWO
Chassis	Front Frame	
Cabinet Weldment	Top Can	
Drawer	Updates	



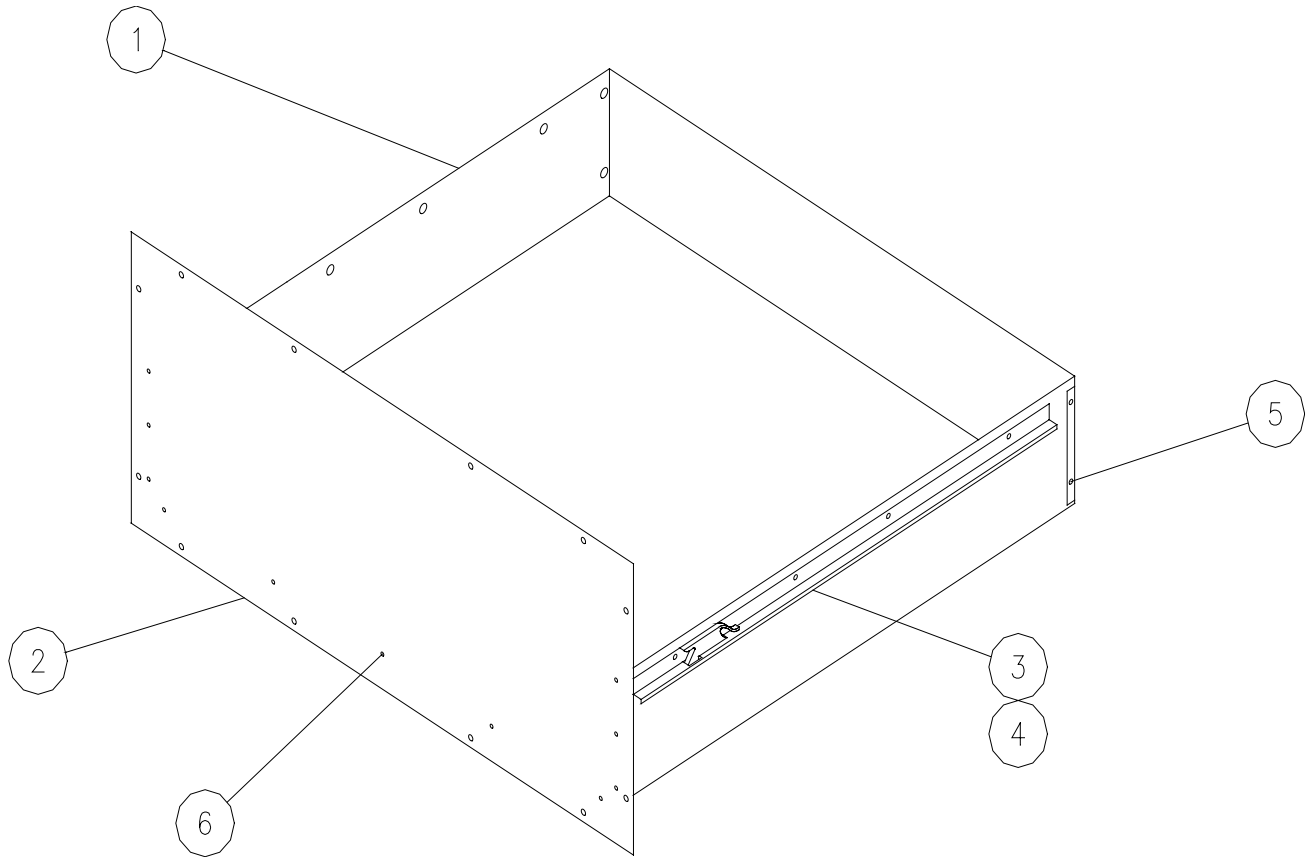
1	36741	DRAWER FRONT	16	27729	CHASSIS WELDMENT
2	36740	DRAWER WRAP	17	36747	CORNER BRACKET
3	72365	SLIDES/RAILS SET	18	83472	STRAIN RELIEF BUSHING
4	82267B,G,R	KNOB, TIMER/TEMP CONTROL	19	82562	POWER SUPPLY CORD
5	62786B	BEZEL, WARMING OVEN	20	83048	NUT, #8-32 KEPS
6	62976	GASKET, IWO24	21	36745	ELEMENT SHIELD
7	36743	GASKET RETAINING TRIM	22	36746	BACK COVER
8	27718	FRONT FRAME WELDMENT,	23	72325	HEATING ELEMENT
9	13169	TIMER ASSEMBLY	24	36766	ELEMENT SHIELD BRACKET
10	62659	OVERRIDE SWITCH	25	27782	CHASSIS BOTTOM, WELDMENT
11	72212	TEMP CONTROL	26	36749	CHASSIS BOTTOM SHIELD
12	36744	CHASSIS TOP	27	83267	CLIP SENSOR BULB
13	83619	WAFER HEAD SCREW	28	83266	TUBULAR FASTENER
14	82353	HIGH TEMPERATURE LIMIT	29	83401	SCREW, PHIL PAN #6-32 X 1/4
15	36742	TOP COVER, IOWO			

IWO CHASSIS ASSEMBLY



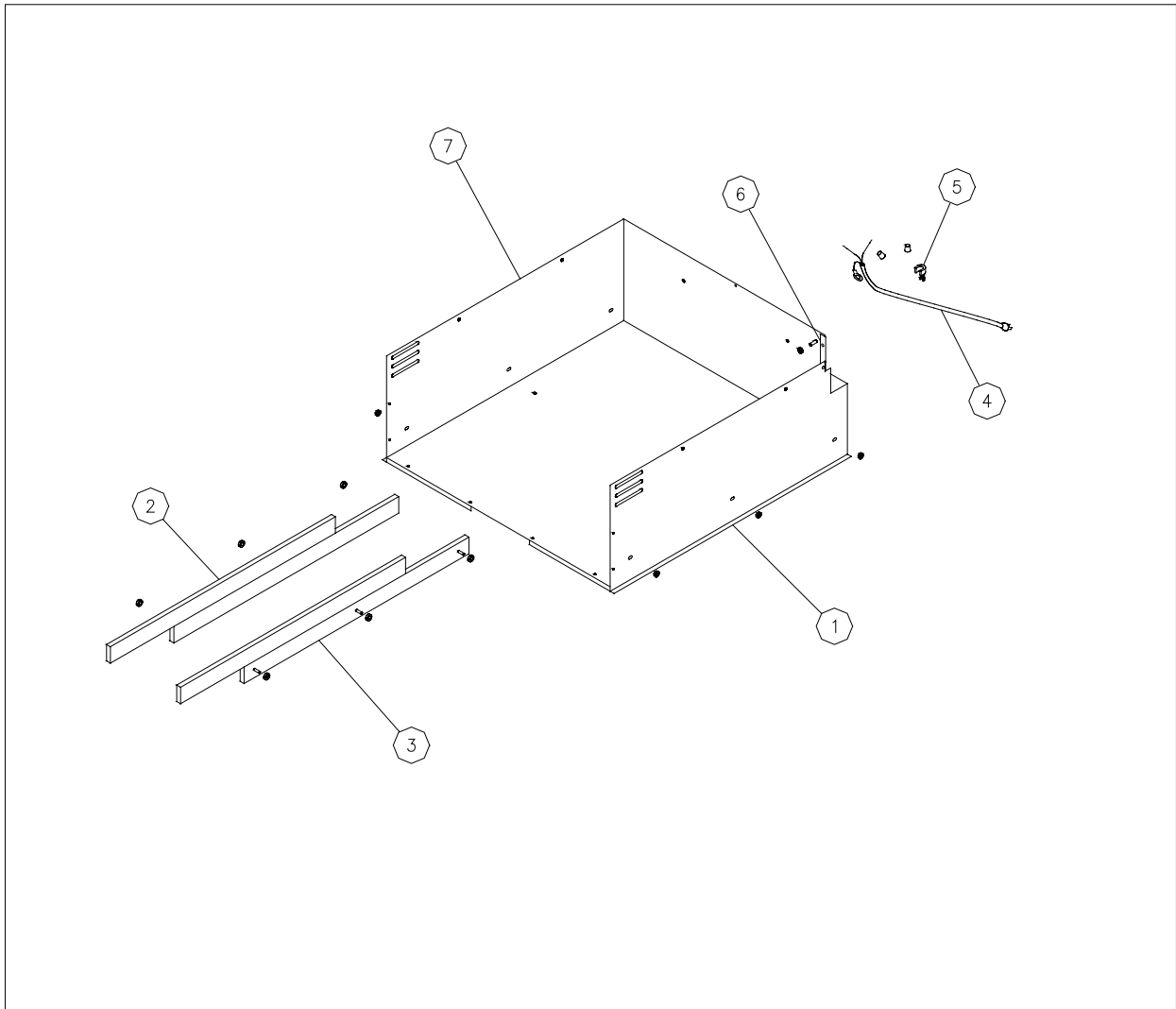
REF. #	DESCRIPTION	IWO24	IWO27
1	TOP COVER	26667	26671
2	TOP INSULATION	82626	82626

IWO DRAWER ASSEMBLY



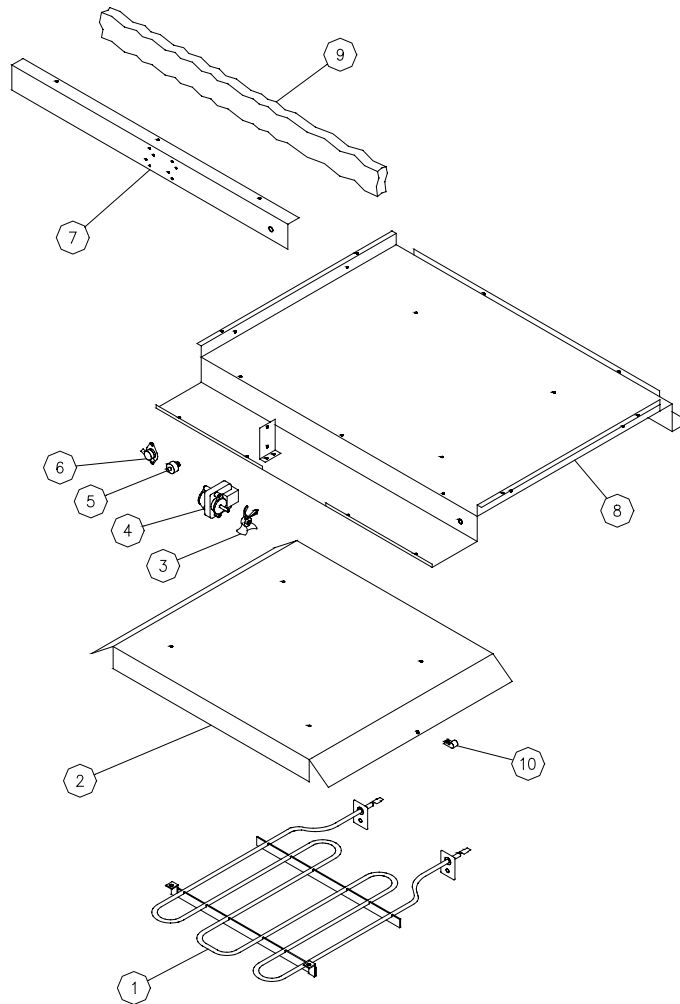
Item #	Description	Part # 24"	27"
1	Drawer Wrap	26684	26686
2	Drawer Front	36510	36512
3	Right Slide	82275	82275
4	Left Slide	82282	82282
5	Rivet	83268	83268
6	Washer Head Screw	83571	83571

IWO CABINET WELDMENT ASSEMBLY



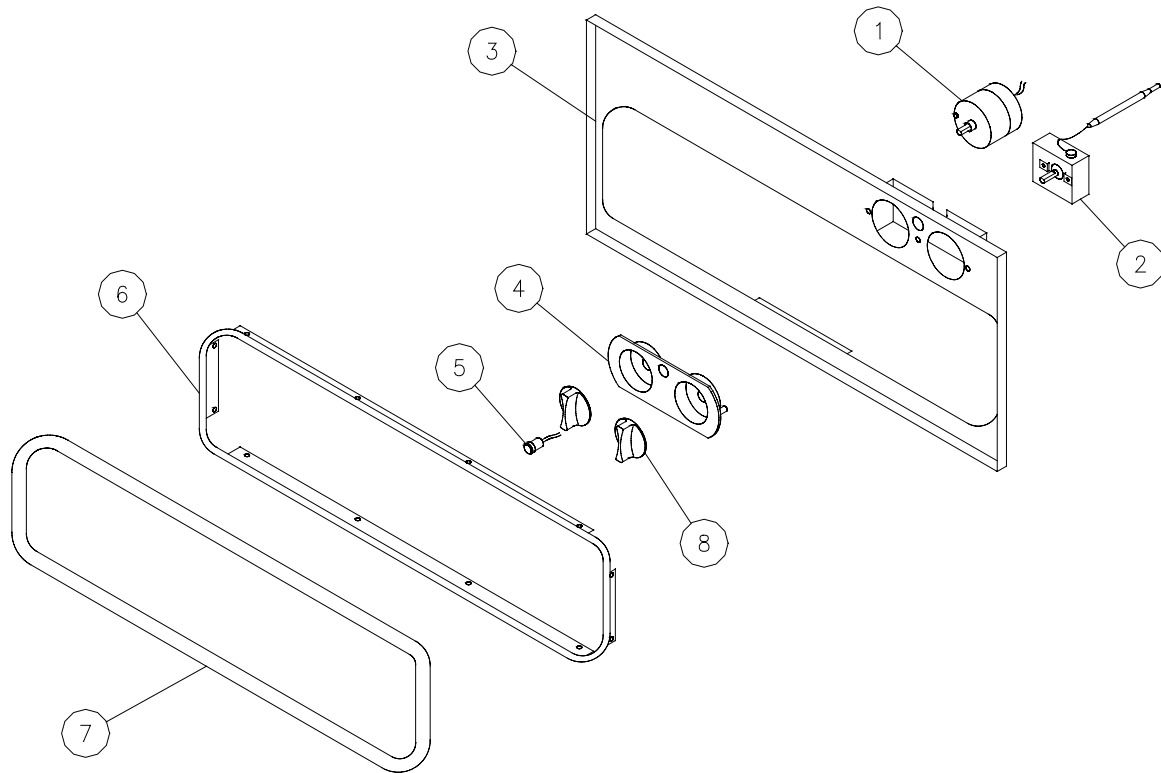
REF. #	DESCRIPTION	IWO24	IWO27
1	FLOOR CANS	78982	78999
2	LH SLIDE	82264	82264
3	RH SLIDE	82279	82279
4	POWER SUPPLY CORD	82562	82562
5	STRAIN RELIEF BUSHING	83141	83141
6	CORD PLATE	36513	36513
7	CABINET WELDMENT	27206	27204

IWO TOP CAN ASSEMBLY



REF. #	DESCRIPTION	IWO24	IWO27
1	HEATING ELEMENT	82351	82351
2	REFLECTOR	26668	26668
3	COOLING FAN BLADE	82277	82277
4	COOLING FAN MOTOR	82276	82276
5	HIGH TEMPERATURE LIMIT	82353	82353
6	THERMAL FAN SWITCH	82354	82354
7	INSULATION COVER	26673	26673
8	TOP CAN ASSEMBLY	27221	27222
9	CONTROL INSULATION	82627	82627
10	THERMOSTAT CLIP	83436	83436

IWO FACE FRAME ASSEMBLY



REF. #	DESCRIPTION	IWO24	IWO27
1	TIMER ASSEMBLY	13169	13169
2	THERMOSTAT	62734	62734
3	FRONT FRAME	27694B	27695B
4	CONTROL PANEL BEZEL	62786B	62786B
5	OVER RIDE SWITCH	62659	62659
6	GASKET RETAINING TRIM	26681	26681
7	DRAWER GASKET	62976	62977
8	TIMER/TEMP CONTROL KNOB	82267B	82267B