



Cooktop
CPU-364GD-L US CA
Product Code: 70953-A

Parts Manual

Brand:	DCS by Fisher & Paykel
Voltage:	120V, 60Hz
Model:	CPU-364GD-L DCS US CA
Product Code:	70953-A

Models

- The model covered by this manual is listed on the front cover.
- The information detailed in this manual is subject to change without notice. The latest version is indicated by the reprint date and replaces any earlier editions.

Kit Parts

Kit components are shown in *italics*. Where a part number is shown against the descriptions for these kit components, they are also available as separate items. In addition, some parts may be supplied with these kits that are not available as separate items, and are therefore either not listed, or a part number is not shown against the part description in this manual.

Parts List Key

<i>italics</i>	Kit components or parts included are shown in italics. Refer to above notes: Kit Parts.
NS	As a part reference, indicates the part is not serviceable.
NI	As a part reference, indicates the part is not illustrated on the diagram.
NOT USED	As a part number, indicates the diagram part reference is not used in this manual.

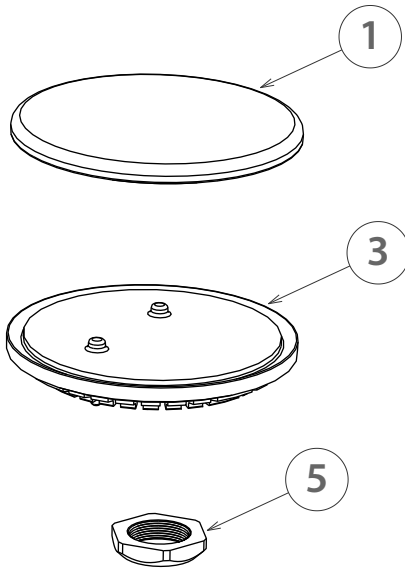
SEALED BURNER COMPONENTS	3
GRIDDLE COMPONENTS	5
BURNER HANGER COMPONENTS	7
MANIFOLD COMPONENTS	9
VALVE PANEL COMPONENTS	11
STRUCTURE COMPONENTS	13
CONVERSION/HI ALTITUDE KITS	16

Fisher & Paykel Appliances, Inc.
5900 Skylab Road,
Huntington Beach,
CA 92647

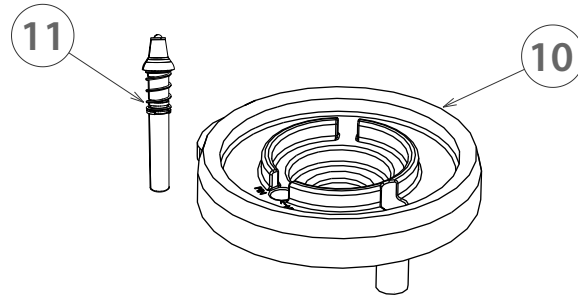
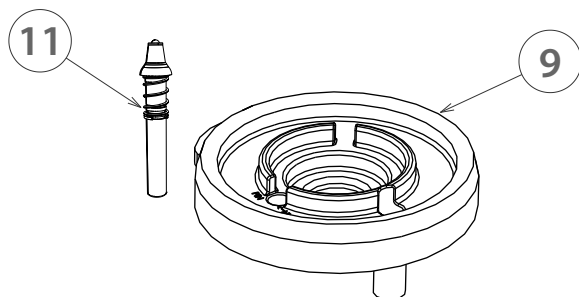
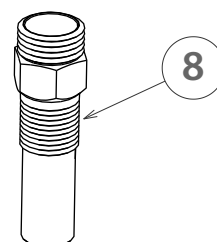
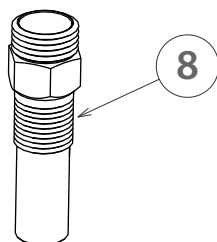
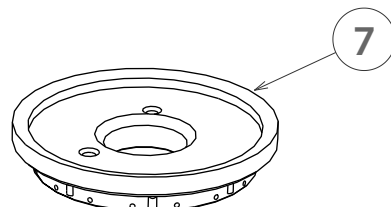
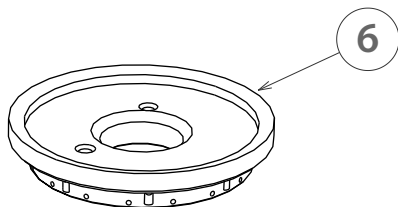
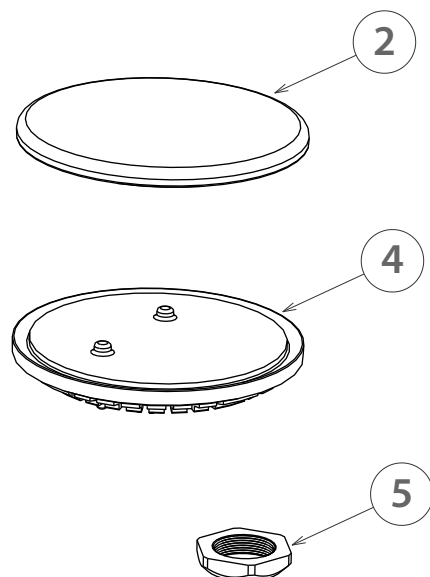
Customer Care: 1-888-936-7872
Fax: (714) 372-7003
email: customer.care@fisherpaykel.com
www.dcsappliances.com

3 SEALED BURNER COMPONENTS

D
LARGE
4"

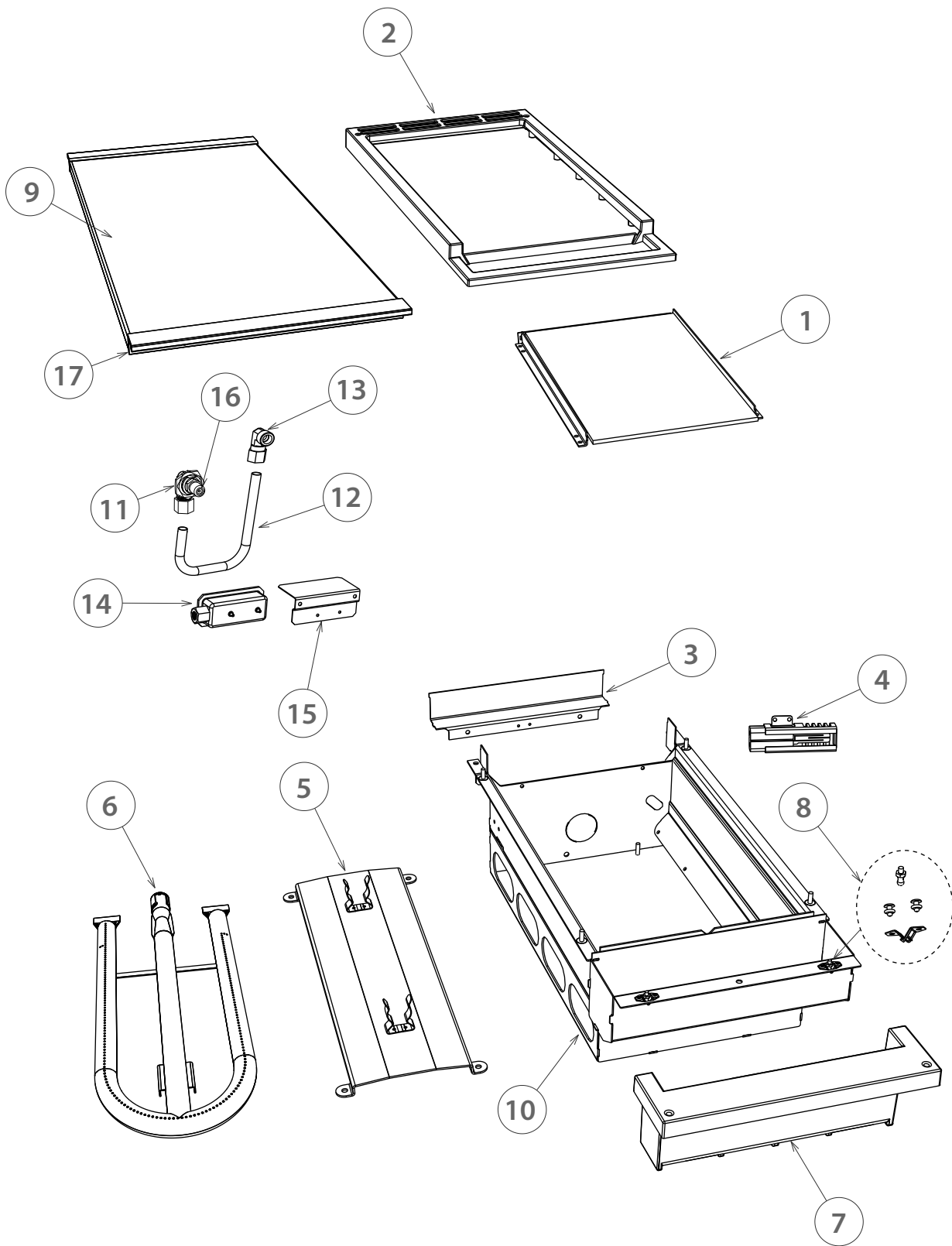


C
SMALL
3-1/2"



REF.	PART NUMBER	PART DESCRIPTION
1	210608	D BURNER CAP
2	210609	C BURNER CAP
3	239130	RING D-PORT (GE STYLE)
4	239129	RING C-PORT SINGLE STAGE GE
5	211526	NUT W/CHAMFER
6	239124	RING SIMMER D BURNER
7	239123	RING SIMMER C BURNER
8	210913	VENTURI W/CHAMBER
9	239128	BASE D BURNER
10	239127	BASE C BURNER
11	241680	KIT IGNITER SPRING AND CLIP
NI	599971	BOOKET USR/INSTL CPU DCS
	<i>Includes</i>	<i>BOOK INSTL CPU DCS</i>
	<i>Includes</i>	<i>BOOK USER CPU DCS</i>
	<i>Includes</i>	<i>BOOK SERV & WARR'TY DCS UNITED</i>

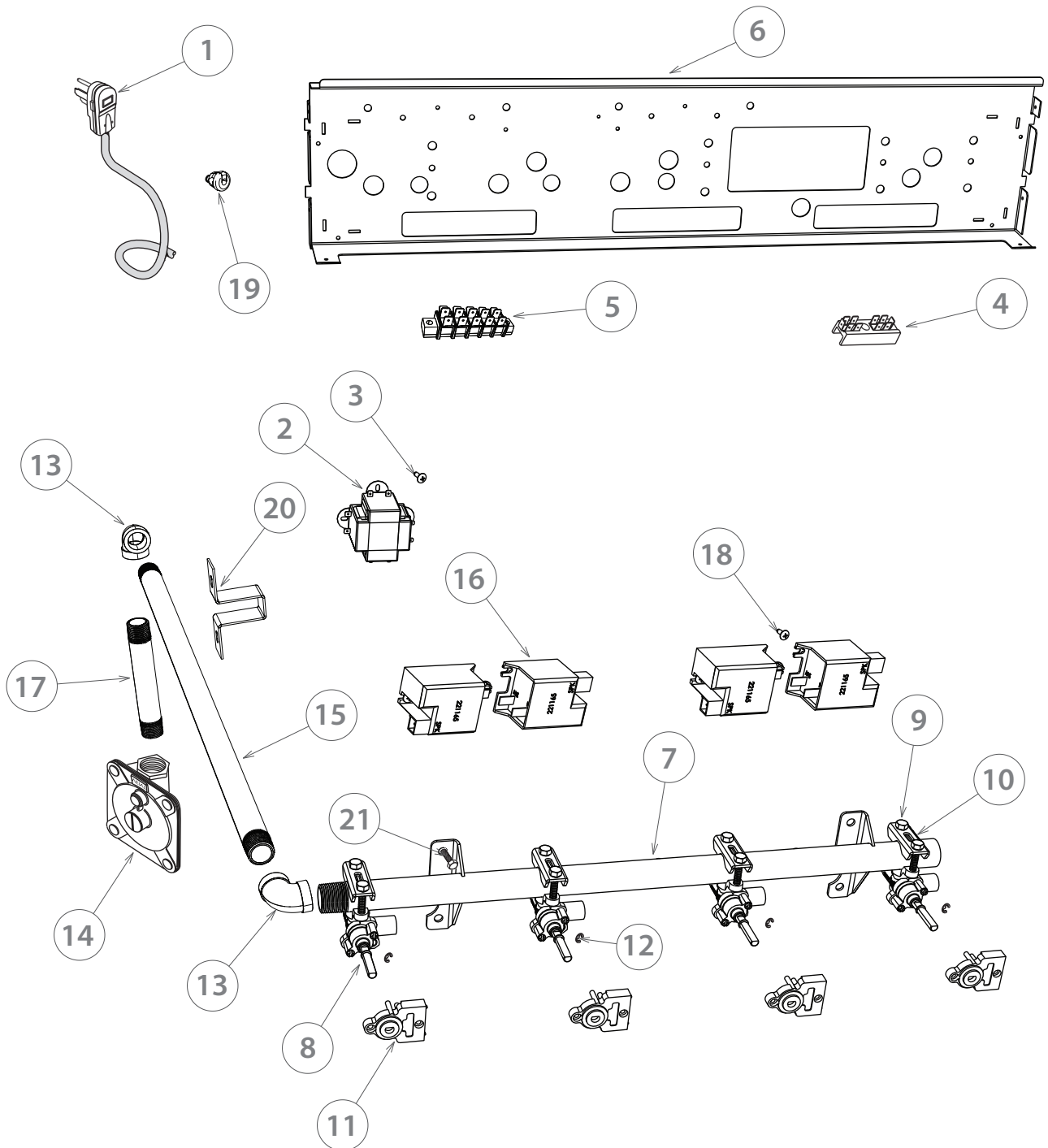
5 GRIDDLE COMPONENTS



REF.	PART NUMBER	PART DESCRIPTION
1	243012	GRIDDLE PLATE W/A 11 INCH
2	245545	TRIM COATED GRIDDLE
3	243690	FLUE ASSY 11" GRIDDLE
4	211541	IGNITER - (SMALL)
5	242909	SUPPORT ASSY U BURNER
6	245395	U BURNER UNITED GD ASSY 11"
7	245442	CUP GREASE COATED 11"
8	243740P	KIT BALL STUD/CLIP
	<i>Includes</i>	BALL STUD 421-5
	<i>Includes</i>	CLIP 8LBS, BALL STUD
	<i>Includes</i>	RIVET 1/8 X 0.264 SS
9	243802	COVER 11" ASSY
	<i>Includes</i>	COVER GRILL GRIDDLE 11 (X 1)
	<i>Includes</i>	MS 4-40 X 3/4 PH FLT SS (X 4)
	<i>Includes</i>	NUT HEX 4-40 SS (X 4)
	<i>Includes</i>	WASHER #4 EXT TOOTH (X 4)
	<i>Includes 245436</i>	HANDLE COVER 11" (X 2)
	<i>Includes 247098P</i>	KIT GRILL/GRIDDLE FEET SP
10	NS	HOUSING WELD ASSY, GRIDDLE 11"
11	212139	FITTING ELBOW 3/8-27 - 9/16-24
	<i>Includes</i>	NUT 3/4-16
12	244883	J-TUBE RG/CU486GD/364GD/GL
13	212149	ELBOW 3/8 T.O.D. - 3/8 (F)
14	210803	SINGLE THERMAL VALVE (18K) NAT
15	245080	BRACKET TERM BLOCK 12PT
16	210692	JET SPUD 1.18MM (56DMS)
17	245436	HANDLE COVER 11"
NI	247098P	KIT GRILL/GRIDDLE FEET SP

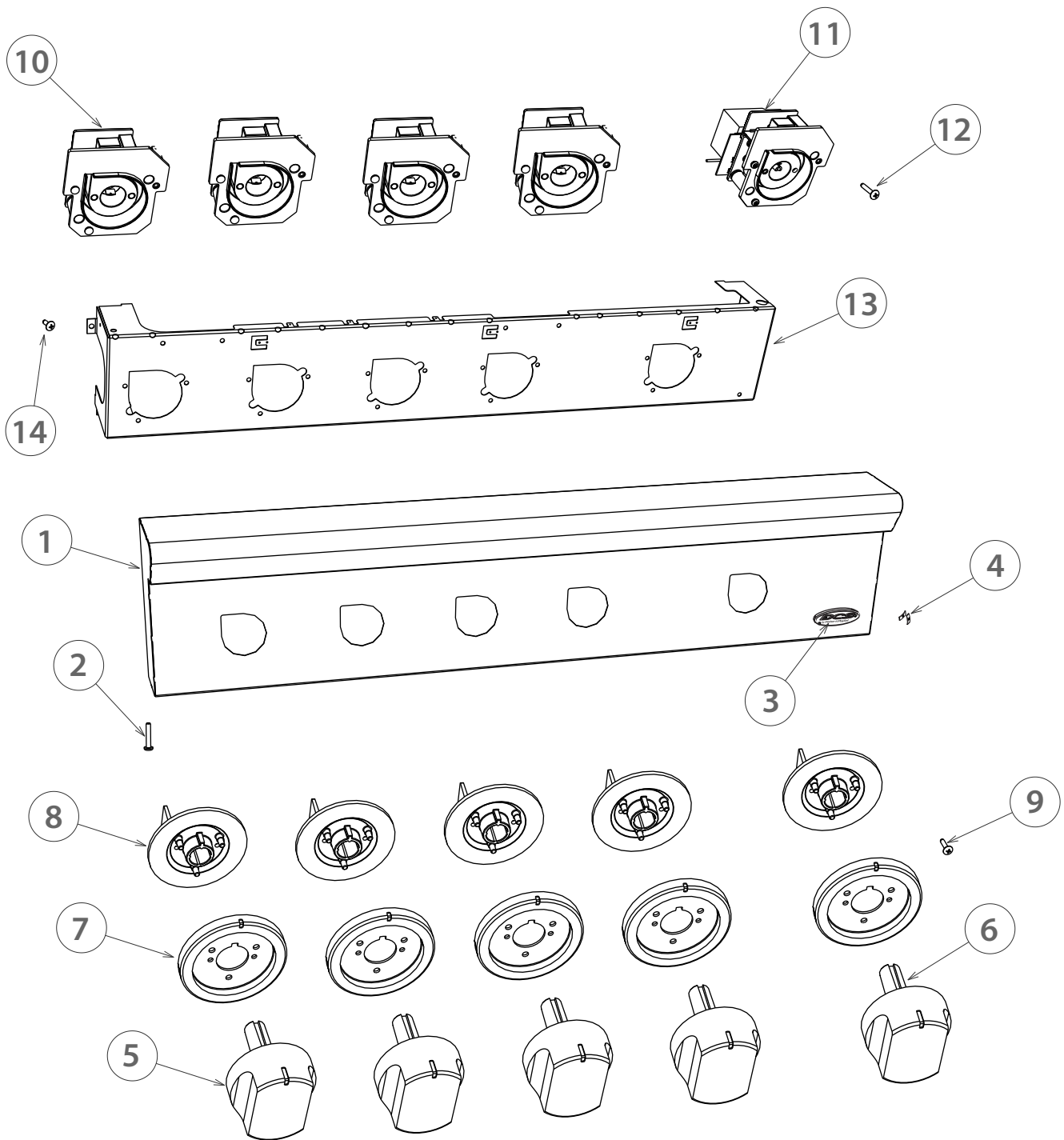
REF.	PART NUMBER	PART DESCRIPTION
1	243530P	PAD GRATE (PKT 4)
2	244858	TUBING SIMMER REAR CU-36
3	244853	TUBING SIMMER FRONT CU-36
4	244852	TUBING MAIN FRONT CU-36
5	244859	TUBING MAIN REAR CU-36
6	247191	JET HOLDER MAIN 1.00 (D)
7	240405	JET HOLDER SIMMER ASSY #79
8	210540	JET HOLDERS MAIN C DMS #65
9	243324	HANGER BURNER
10	211238P	SM 10 X 1/2 SL TD HWH SMS (PKT10)
11	210468	NUT M22 JET HOLDER (MAIN)
12	211502	NUT SIMMER JET HOLDER
13	245304	CTR GRATE UNITED 4 BRN ASSY
	<i>Includes 243530</i>	<i>PAD GRATE (X 4)</i>
14	243662P	KIT TUBE SUPPLY RG/CU364GD/GL
	<i>Includes</i>	<i>LOXIT FITTING FOR 3/8 OD TBNG</i>
15	212203	FITTING 1/8 NPT MALE-3/8 CC
16	212373	LOXIT FITTING FOR 3/8 OD TBNG
17	243909	TUBE RIGHT FRONT 36

9 MANIFOLD COMPONENTS



REF.	PART NUMBER	PART DESCRIPTION
1	245666	MAINS FLEX ASSY
2	243277	TRANSFORMER
3	211238P	SM 10 X 1/2 SL TD HWH SMS (PKT10)
4	211768	TERMINAL BLOCK
5	243936	TERMINAL BLOCK (5 POSITION)
6	NS	BAFFLE CPU 364GD/GL
7	243476	MANIFOLD WA (4 @ 5-1/2)
8	245836	VALVE DUAL FLOW 6 OC #70SIM 7U
9	211342P	MS 10-32 X 1 HEXHD ZN (PKT10)
10	210506	CLAMP VALVE
11	211804	SWITCH IGNITOR
12	210508	C-CLIP VALVE STEM
13	212164	ELBOW 1/2 - 1/2 FEMALE
14	241669	REGULATOR NAT/LP
15	212133	1/2 NPT X 21.25 NIPPLE BLK
16	221165	MODULE REIGNITION SINGLE POINT
17	212186	BLACK NIPPLE 1/2 X 5
18	211238P	SM 10 X 1/2 SL TD HWH SMS (PKT10)
19	211132	BUSHING STRAIN RELIEF 0.625"
20	232225	BRACKET PIPE HOLD
NI	245352	4 BURNER GRIDDLE HARNESS
NI	245424	IGNITER WIRES 4
NI	245420	COOKTOP POWER HARNESS CPU 48/36

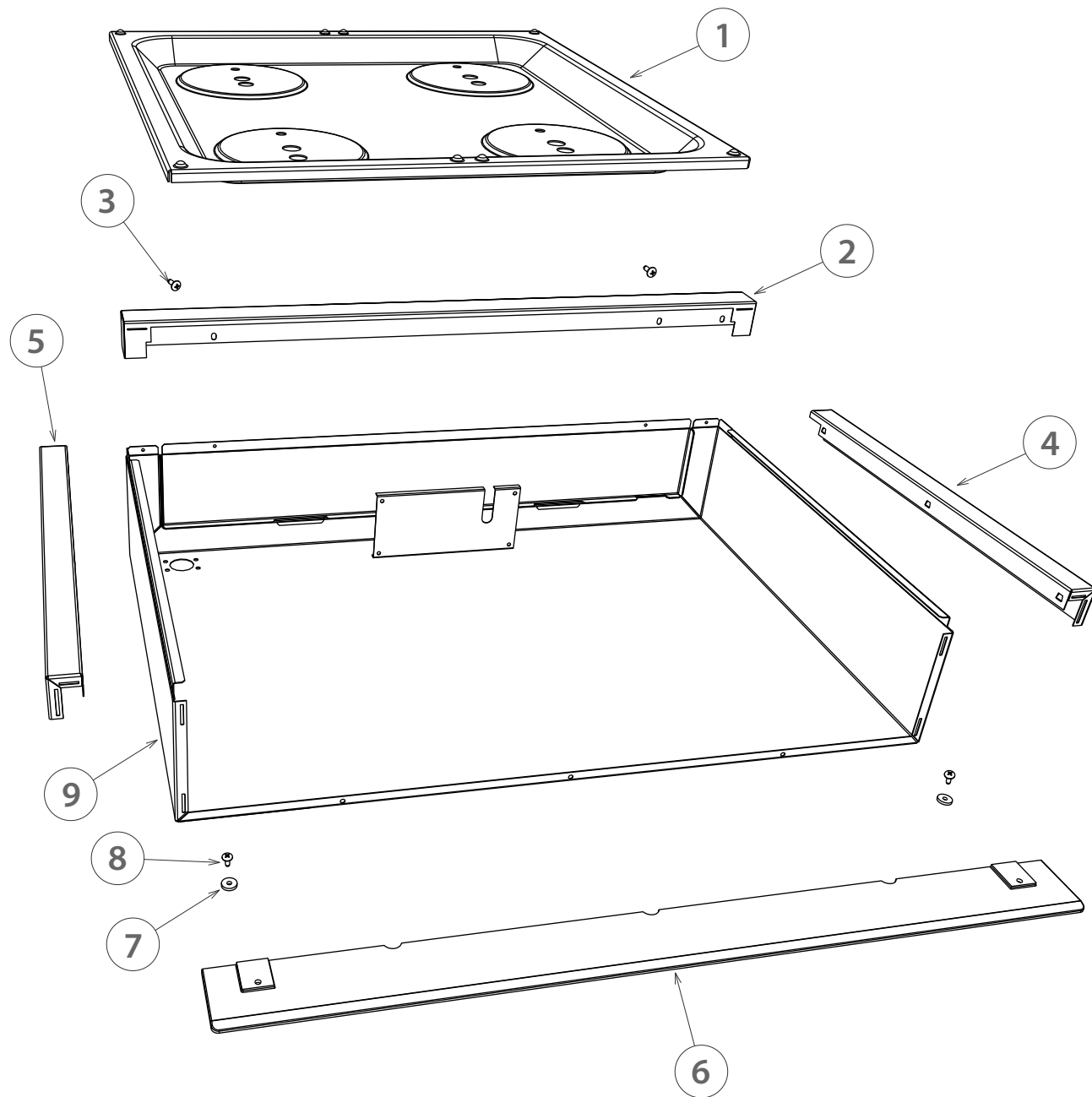
11 VALVE PANEL COMPONENTS



REF.	PART NUMBER	PART DESCRIPTION
1	243500	LEDGE LANDING (GPHS) (CU-364GD)
2	211226P	SM10 X 1/2 PH TRHD TYASS (10PK)
3	237567	BADGE 2.42"
4	211419P	CLIP TIN STUD RECEIVER (PKT 4)
5	243831	KNOB BURNER ASSY
6	243832	KNOB ASSY GRIDDLE
7	243263	KNOB BEZEL
8	243264	KNOB LIGHT RING
9	243963P	MS 6-32X3/4 TORX PAN (PKT10)
10	245464	MTG BLOCK ASSY BURNER
	<i>Includes 243265</i>	<i>MOUNTING BLOCK</i>
	<i>Includes 243820</i>	<i>MOD DCS LED 230V RED</i>
	<i>Includes 243953</i>	<i>SIDE COVER PCB KNOB LED</i>
	<i>Includes 243964P</i>	<i>MS 6-32 X 1/4 PH PAN SS</i>
11	245474	MTG BLOCK ASSY GRIDDLE
	<i>Includes 243265</i>	<i>MOUNTING BLOCK</i>
	<i>Includes 243821</i>	<i>MOD DCS LED 120V RED 120V OR</i>
	<i>Includes 243953</i>	<i>SIDE COVER PCB KNOB LED</i>
	<i>Includes 243964P</i>	<i>MS 6-32 X 1/4 PH PAN SS</i>
	<i>Includes 211317</i>	<i>MS 6-32 X 5/16 PH TRU SS</i>
	<i>Includes 245067</i>	<i>GRIDDLE T-STAT</i>
12	243964P	MS 6-32 X 1/4 PH PAN SS (PKT10)
13	243342	MOUNT SELECTOR (CU-364)
14	211238P	SM 10 X 1/2 SL TD HWH SMS (PKT10)



13 STRUCTURE COMPONENTS



REF.	PART NUMBER	PART DESCRIPTION
1	247029	BURNER PAN - 6 BURNER
2	243535	TRIM ISLAND 36 (CP)
3	211238P	SM 10 X 1/2 SL TD HWH SMS (PKT10)
4	243727	CAP CP (RS) (30/36)
5	243728	CAP CP (LS) (30/36)
6	243744	TRIM 36 CP VALVE PANEL
7	545455	INSULATOR UPRIGHT TO FRAME
8	556037P	SCREW ST 8X5/8 TAB PN PH (PKT 10)
9	NS	BURNER BOX 366

REF.	PART NUMBER	PART DESCRIPTION
NI	247267	KIT CONVERSION LP TO NAT RDU/RGU/CP
	<i>Includes 210402</i>	<i>JET MAIN 1.78MM (50DMS) X 4</i>
	<i>Includes 210405</i>	<i>JET MAIN 1.51MM (53DMS) X 2</i>
	<i>Includes 210570</i>	<i>JET SIMMER 0.57MM (P) X 6</i>
	<i>Includes 210684</i>	<i>JET SPUD 1.93mm (48DMS) X 2</i>
	<i>Includes 210685</i>	<i>JET SPUD 1.85mm (49DMS) X 1</i>
	<i>Includes 210688</i>	<i>JET SPUD 1.61mm (52DMS) X 2</i>
	<i>Includes 241402</i>	<i>JET SPUD 2.64mm (37DMS) X 1</i>
	<i>Includes 210683</i>	<i>JET SPUD 1.99mm (47DMS) X 1</i>
	<i>Includes 210676</i>	<i>JET SPUD 2.49mm (40DMS) X 1</i>
	<i>Includes 212346</i>	<i>ORIFICE RGSC BROIL #50 X 1</i>
	<i>Includes</i>	<i>LBL CONV LP TO NAT RDU/RGU/CP</i>
	<i>Includes</i>	<i>LABEL NG GAS DCS</i>
	<i>Includes</i>	<i>INSTR CONV NAT/LP - UNITED</i>
NI	247256	KIT HI ALT LP 3-6K RGU/RDU/CP
	<i>Includes 210414</i>	<i>JET MAIN 0.98mm (62DMS) X 4</i>
	<i>Includes 210418</i>	<i>JET MAIN 0.84mm (66DMS) X 2</i>
	<i>Includes 247213</i>	<i>JET MAIN 0.75mm (69DMS) X 2</i>
	<i>Includes 210692</i>	<i>JET SPUD 1.18mm (56DMS) X 1</i>
	<i>Includes 210697</i>	<i>JET SPUD 0.99mm (61DMS) X 2</i>
	<i>Includes 210690</i>	<i>JET SPUD 1.40mm (54DMS) X 2</i>
	<i>Includes 210691</i>	<i>JET SPUD 1.32mm (55DMS) X 2</i>
	<i>Includes 210698</i>	<i>JET SPUD 0.97mm (62DMS) X 1</i>
	<i>Includes 212347</i>	<i>ORIFICE RGSC BROIL #56 X 1</i>
	<i>Includes</i>	<i>INSTR ALT CONV-RDU/RGU/RGUC/CU</i>
	<i>Includes</i>	<i>LABEL ALT CONV-RDU/RGU/RGUC/CU</i>
NI	247257	KIT HI ALT LP 6-9K RGU/RDU/CP
	<i>Includes 210414</i>	<i>JET MAIN 0.98mm (62DMS) X 4</i>
	<i>Includes 210419</i>	<i>JET MAIN 0.81mm (67DMS) X 2</i>
	<i>Includes 220420</i>	<i>JET MAIN 0.70mm (70DMS) X 2</i>
	<i>Includes 210693</i>	<i>JET SPUD 1.09mm (57DMS) X 1</i>
	<i>Includes 210698</i>	<i>JET SPUD 0.97mm (62DMS) X 2</i>
	<i>Includes 210690</i>	<i>JET SPUD 1.40mm (54DMS) X 2</i>
	<i>Includes 210692</i>	<i>JET SPUD 1.18mm (56DMS) X 2</i>
	<i>Includes 210699</i>	<i>JET SPUD 0.94mm (63DMS) X 1</i>
	<i>Includes 212348</i>	<i>ORIFICE RGSC BROIL #57 X 1</i>
	<i>Includes</i>	<i>INSTR ALT CONV-RDU/RGU/RGUC/CU</i>
	<i>Includes</i>	<i>LABEL ALT CONV-RDU/RGU/RGUC/CU</i>

Fisher & Paykel
appliances

customer care™

www.fisherpaykel.com
www.dcsappliances.com



Copyright © Fisher & Paykel 2011. All rights reserved.
The product specifications in this manual apply to the specific model described at the date of issue. Under our policy of continuous product improvement, these specifications may change at any time. Only use this manual if the product code on the front matches the product code on the serial label of the product.