



**E2000 SERIES  
ELECTRIC BAKE/ROAST  
DECK OVENS**

**PARTS LIST**





# E2000 SERIES ELECTRIC BAKE/ROAST DECK OVENS

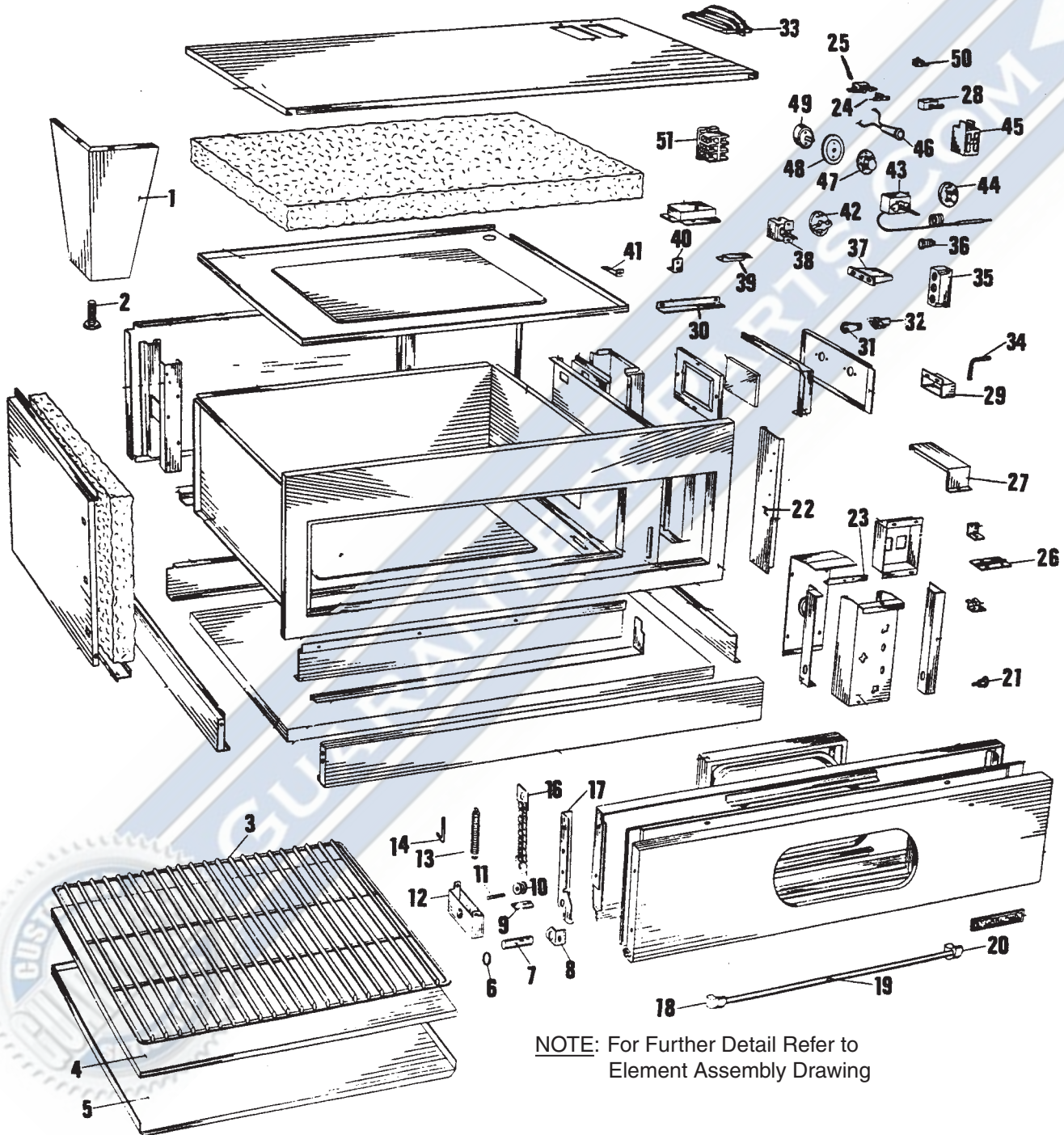
## ***Contents:***

Model Number Designations ..... Page 5  
E-2000 Series Electric Bake/Roast Deck Ovens ..... Page 6  
Revision History..... Page 11

### MODEL NUMBER DESIGNATION

Model	Description
E2001	(1) Bake Oven
E2011	(2) Bake Ovens
E2111	(3) Bake Ovens
E2005	(1) Roast Oven
E2055	(2) Roast Ovens
E2555	(3) Roast Ovens
E2015	(1) One Bake/ (1) One Roast
E2115	(2) Two Bake / (1) One Roast
E2155	(1) One Bake / (2) Roast





NOTE: For Further Detail Refer to  
Element Assembly Drawing

**GARLAND PARTS IDENTIFICATION**  
**E-2000 Series Electric Bake/Roast Deck Ovens**

ITEM	PART #	DESCRIPTION	QUANTITY		
			MODEL		
			E2001	E2000P	E2005
1	1056282	6" Leg Assembly GG			
	1056281	6" Leg Assembly S/S Optional			
	1056293	16" Leg Assembly GG For (2) Roast Ovens			
	1056297	16" Leg Assembly S/S Optional			
	1056294	23" Leg Assembly GG For (1) Roast or (2) Bake Ovens			
	1056298	23" Leg Assembly S/S Optional			
	1056283	27" Leg Assembly GG For (1) Bake Oven	4	4	
	1056299	27" Leg Assembly S/S Optional			
2	1161000	Leg Adjustment Bolt (3/8-16)	4	4	4
3	G1474A1	Oven Rack 28-1/4 x 38-1/4			1
4	G1426-1	Coreplate 3/4' x 38-3/4" x 28"	1	1	
5	CKG1447-01-8	Steel Hearth Assembly	1		1
6	1010800	Bushing Trunion	2	2	2
7	G1461-1	Hinge Shaft	2	2	2
8	G1833-1-6	Hinge Shaft Support L/H and R/H	2	2	2
9	1244065	Hinge Pin Pad	2	2	2
10	1093000	Pulley	1	1	1
11	G2511-1-8	Pulley Shaft	1	1	1
12	CKG1756-01-8	Pulley Support Assembly	1	1	1
13	G1587-1	Spring	1	1	
	G1007-1	Spring			1
14	G2782-2-8	Spring Adjustment Hook	1	1	1
15*	GF138	Capillary Clip	2	2	2
16	1079000	Chain	1	1	1
17	G01015-2-82	Oven Door Hinge L/H	1	1	
	G01015-2-81	Oven Door Hinge R/H	1	1	
	G01015-1-82	Oven Door Handle End L/H			1
	G01015-1-81	Oven Door Handle Right			1
18	1016701	Oven Door Handle End L/H (No Longer Available)	1	1	1
19	1016720	Oven Door Handle Right (Use G3837-1-8P, No Longer Available)	1	1	1
	1016702	Oven Door Handle End R/H (No Longer Available)	1	1	1
*	1016703	Oven Door Insulator	2	2	2
*	1120002	Allen Head Cap Screw 1/4-20 X 3	2	2	2
21	1244152	Shoulder Bolt 10 x 24	1	1	1
22	1244091	Fuse Block Support	1	1	
	1244095	Fuse Block Support			1
23	1244092	Catch Support Assembly	1	1	1
24	2671600	Door Strike	1	1	1
25	2671600	Door Catch	1	1	1
26	1244151	Control Panel Hinge	1	1	1
27	1244053	Terminal Cover	1	1	1
28	1244146	Toggle Switch	1	1	1
29	1244052	Terminal Shield	2	2	2
30	1244003	Top Element Hanger	2	2	2
31	1026051	Lamp Bulb	2	2	2
32	113778	Lamp Socket	2	2	2
33	1025800	Vent Cover	2	2	2
34	1244000	Asbestos Gasket	1	1	

\* NOT ILLUSTRATED

**RECOMMENDED STOCK PARTS**

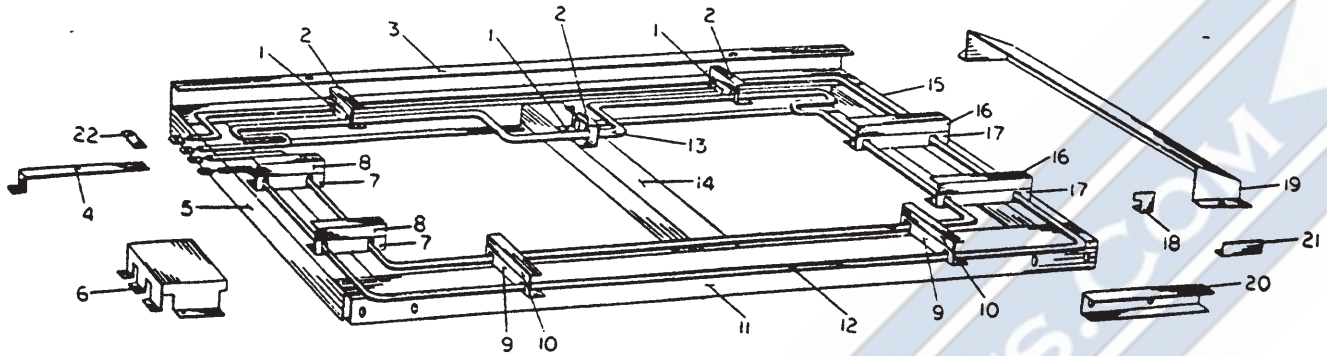
**GARLAND PARTS IDENTIFICATION**  
**E-2000 Series Electric Bake/Roast Deck Ovens**

ITEM	PART #	DESCRIPTION	QUANTITY		
			MODEL		
			E2001	E2000P	E2005
35	1013200	Fuse Block	1	1	
36	1013201	Fuse 6 Amp	2	2	
37	1169700	Terminal Block Porcelain	2	2	2
38	4523164	Switch, 3-Heat, c-CSA-us	2	2	2
	4523165	Switch, 3-Heat, CE	2	2	2
	G2088	Switch, 3-Heat, Hi-Volt	2	2	2
39	1244006	Bottom Element Clip	2	2	2
40	1244039	Spring Angle Bracket	3	3	3
41	1244023	Lower Tie Strap	1	1	1
42	G1035-1	Knob	2	2	2
43	1010300	D1 Thermostat (200° - 500°)	1	1	1
44	1010302	Dial For Above	1	1	1
*	1102701	Bezel For Above	1	1	1
45	1103301	Circuit Breaker 40 Amp	3	3	3
46	G01296-1	Pilot Lamp Assembly Red 250VRound	1	1	1
47	P078090	Timer Dial	1	1	1
48	1025206	Timer Bezel (No Longer Available)	1	1	1
49	1025204	Timer 60 Min	1	1	1
50	1028400	Ground Lug	1	1	1
51	1233900	Terminal Block Porcelain (No Longer Available)	1	1	1
	1250000	Terminal Block Export Only 5 Lug			
52*	CK4526179	Relay Replacement Service Kit, E2000 (incl. Relay 30A P/N2487000, wiring diagrams and fasteners)	1		1
<b>Optional E2001P Pizza Oven Thermostat and Dial Only</b>					
60*	G0895-01	Thermostat Ea5 (300°F - 700°F)		1	
61*	1010307	Dial For Above		1	

\* NOT ILLUSTRATED

**RECOMMENDED STOCK PARTS**





**GARLAND PARTS IDENTIFICATION**  
**E-2000 Series Element Assembly**

ITEM	PART #	DESCRIPTION	MODEL/QUANTITY			
			ELEMENT ASSEMBLY			
			LOWER	UPPER	LOWER	UPPER
			E2001		E2005	
1	1031205	Element Bracket	3	3	3	3
2	1031209	Element Hold in Bracket	3	3	3	3
3	1021200	Front Support	1	1	1	1
4	G1651-1-6	Terminal Bar	3	3	3	3
5	1031203	Side Support R/H	1	1	1	1
6	1244029	Terminal Box	1	1	1	1
7	1031208	Element Bracket	2	2	2	2
8	1031212	Element Hold in Bracket	2	2	2	2
9	1031210	Element Bracket	2	2	2	2
10	1031206	Element Hold in Bracket	2	2	2	2
11	1031201	Rear Support	1	1	1	1
<b>All Element and Element Assemblies below may be used on Ovens built since 1962.</b>						
*	1031299	Element and Frame Assembly - Upper 208V-2600W		1		1
	1031297	Element and Frame Assembly - Upper 236V-2600W		1		1
	1031293	Element and Frame Assembly - Upper 460V-2600W		1		1
	1031298	Element and Frame Assembly - Lower 208V-3600W	1		1	
	1031296	Element and Frame Assembly - Lower 236V-3600W	1		1	
	1031292	Element and Frame Assembly - Lower 460V-3600W	1		1	
12	G1660-2	Element Outer Upper 208V-1300W		1		1
	1031103	Element Outer Upper 236V-1300W		1		1
	G2143-2	Element Outer Upper 460V-1300W		1		1
	G1662-2	Element Outer Lower 208V-2000W	1		1	
	G1662-1	Element Outer Lower 236V-2000W	1		1	
	G2143-5	Element Outer Lower 460V-2000W	1		1	
13	G1661-2	Element Inner Upper 208V-1300W		1		1
	G1661-1	Element Inner Upper 236V-1300W		1		1
	1031110	Element Inner Upper 460V-1300W (No Longer Available)		1		1
	G1663-2	Element Inner Lower 208V-2000W	1		1	
	G1663-1	Element Inner Lower 236V-2000W	1		1	
	1031115	Element Inner Lower 460V-2000W	1		1	
14	1031204	Center Support	1	1	1	1
15	1031202	Side Support L/H	1	1	1	1
16	1031210	Element Hold in Bracket	2	2	2	2
17	1031207	Element Bracket	2	2	2	2
18	1028400	Ground Clamp	2	2	2	2
19	1031214	Baffle		1		1
20	1031213	Support Channel		1		1
21	1021215	Vent Baffle		1		1
22	G1314-1-6	Bus Bar	1	1	1	1
<b>Options E2001P Pizza Oven - Upper Element and Element Assembly are listed below Lower Elements are the same as E2001 Listed above.</b>						
30*	1031291	Element and Frame Assembly - Upper 208V-3300W	1 Each Deck			
	1031290	Element and Frame Assembly - Upper 236V-3300W	1 Each Deck			
31*	G1662-2	Element Outer Upper 208V-2000W	1 Each Deck			
	G1662-1	Element Outer Upper 236V-2000W	1 Each Deck			
32*	G1661-2	Element Inner Upper 208V-2000W	1 Each Deck			
	G1661-1	Element Inner Upper 236V-2000W	1 Each Deck			

\* NOT ILLUSTRATED

**RECOMMENDED STOCK PARTS**

## GARLAND PARTS IDENTIFICATION

### Revision History

REV. #	PAGE #	ITEM #	NOTE	DATE
1			Entire Book Reformatted	Jan 07/05
2	1,3,5,6		Model mislabeled as Gas changed to Electric	Jun 15/06
3	4	4	Item Number Changed Was 1020700, Description Changed	Sep 26/06
4	5-6	3, 5, 7, 11, 12, 13, 14, 15, 17, 18, 19, 20, 24, 25, 31, 33, 38, 42, 46, 47, 48, 51, 60	Revised part numbers based on info on current system. See revision 3 for old part numbers.	Aug 11/14
	6	52	Added part number for service kit (kit created since 2008)	
	9	4, 12, 13, 22, 31, 32	Revised part numbers based on info on current system. See revision 3 for old part numbers.	

