

# Sunfire Series

## Full Size Electric Convection Ovens

### Parts List

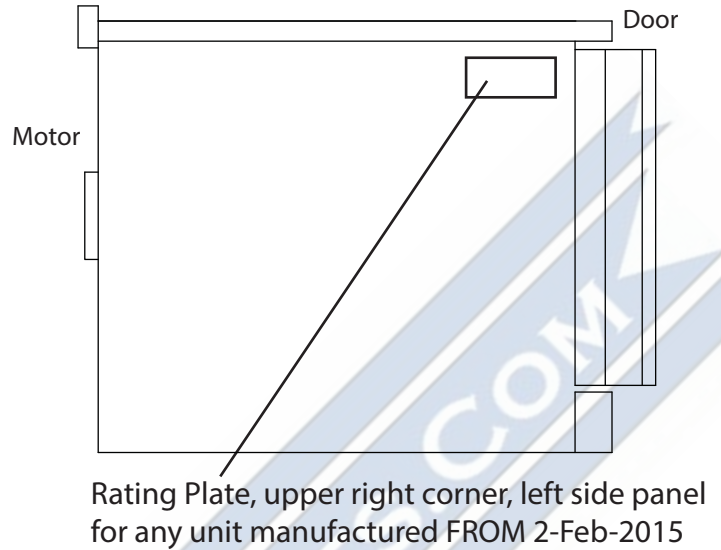
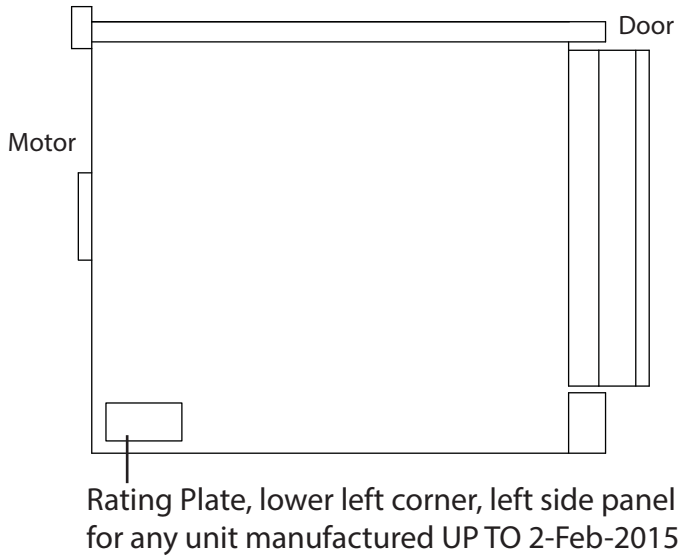
#### Models

SCO-ES-10S

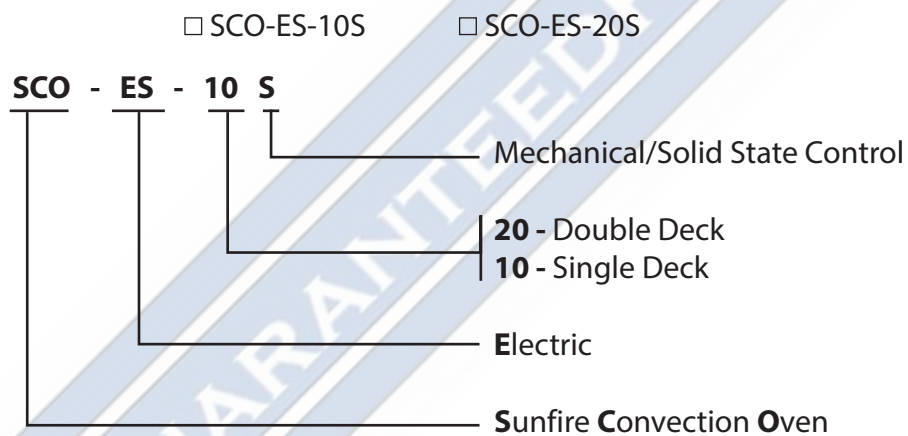
SCO-ES-20S



## Rating Plate Location

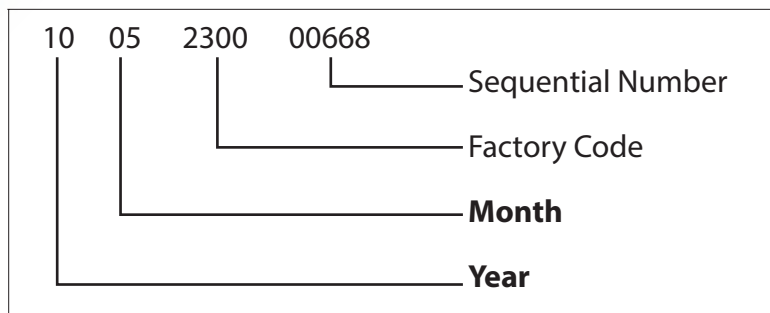


## Model Number Explained



## Serial# - Year/Month Information

The Serial Number is **13 Digits** long and is stamped on the Rating Plate.  
See "Rating Plate Location".



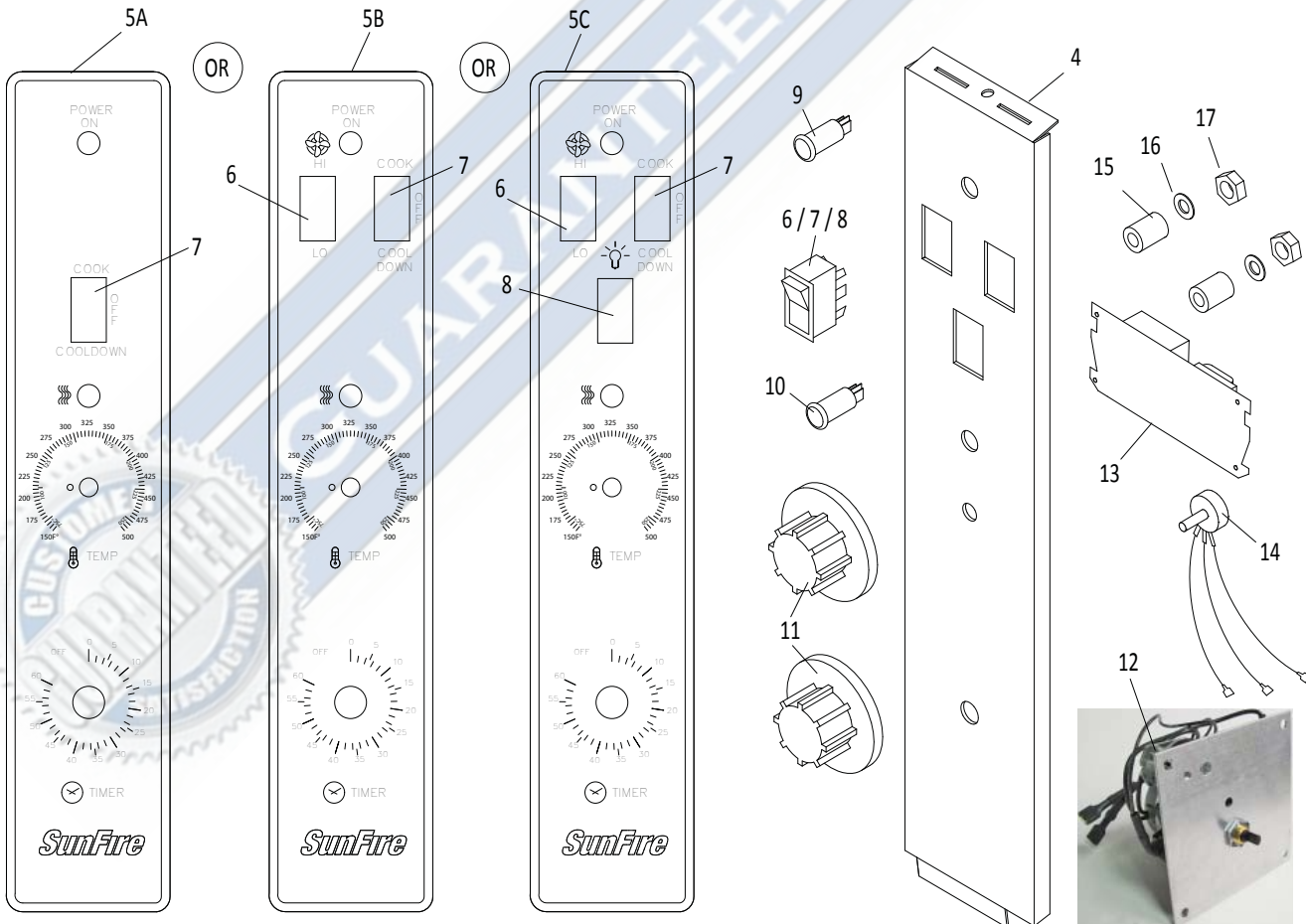
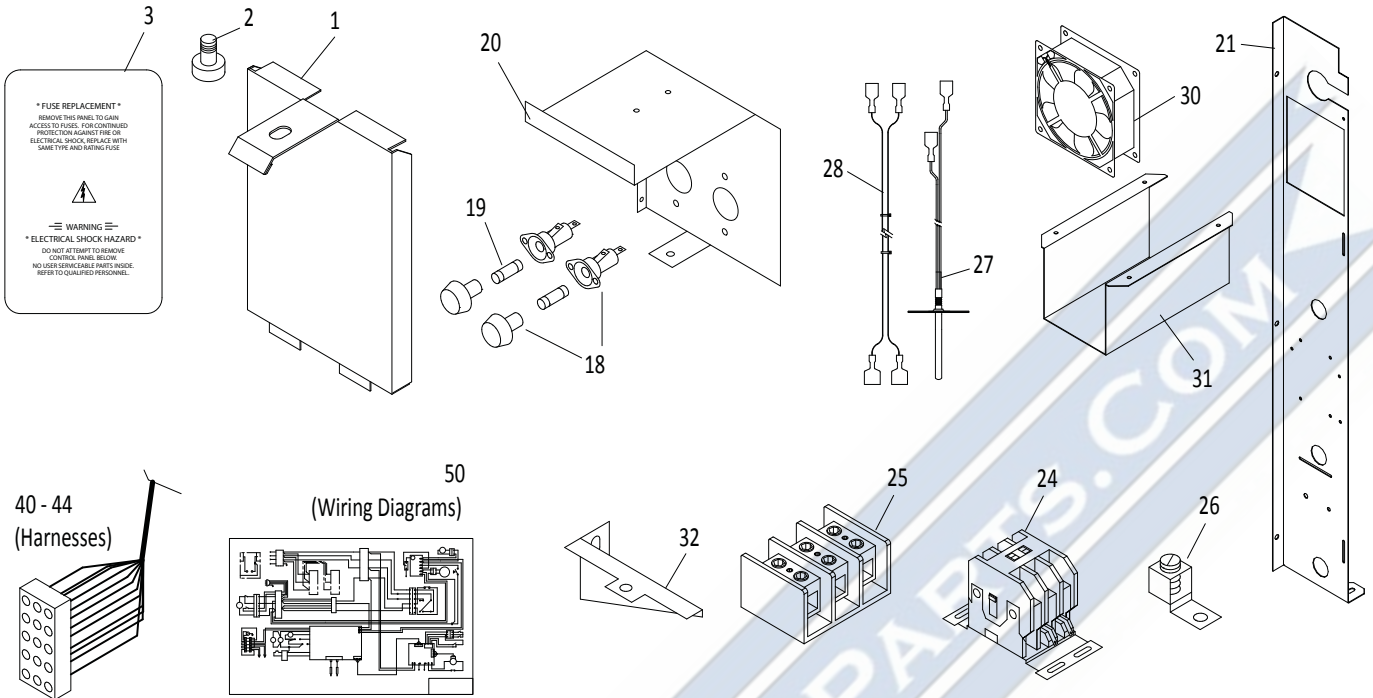
# Contents

---

Rating Plate Location / Model & Serial# Information .....	2
Control Panel & Components.....	4
Door Components & Assemblies.....	6
Oven Components.....	10
Main Exterior Components.....	12
Wiring Diagram .....	14
Available Kits.....	14
Related Bulletins.....	14
Revision History .....	14



GUARANTEEDPARTS.COM





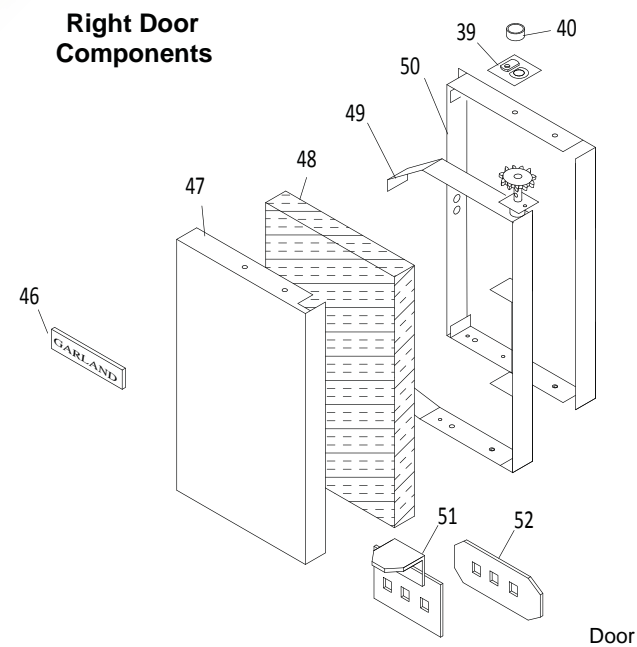
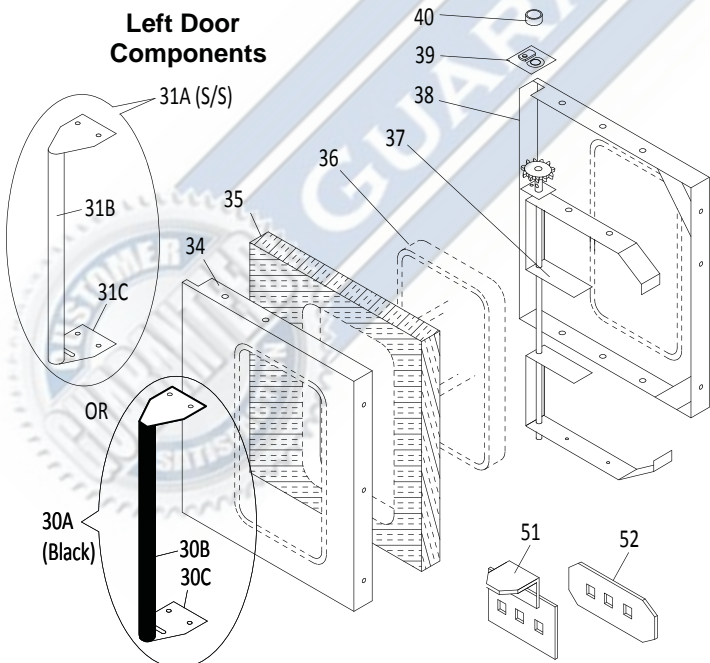
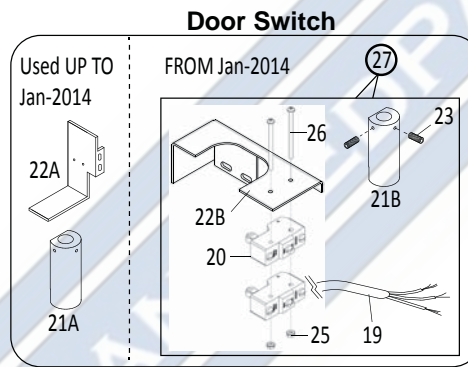
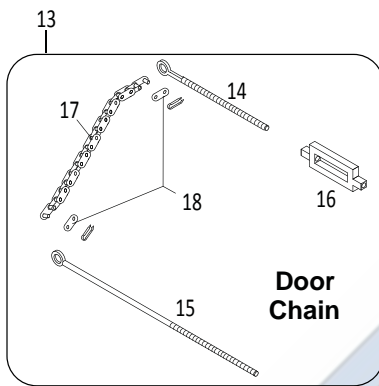
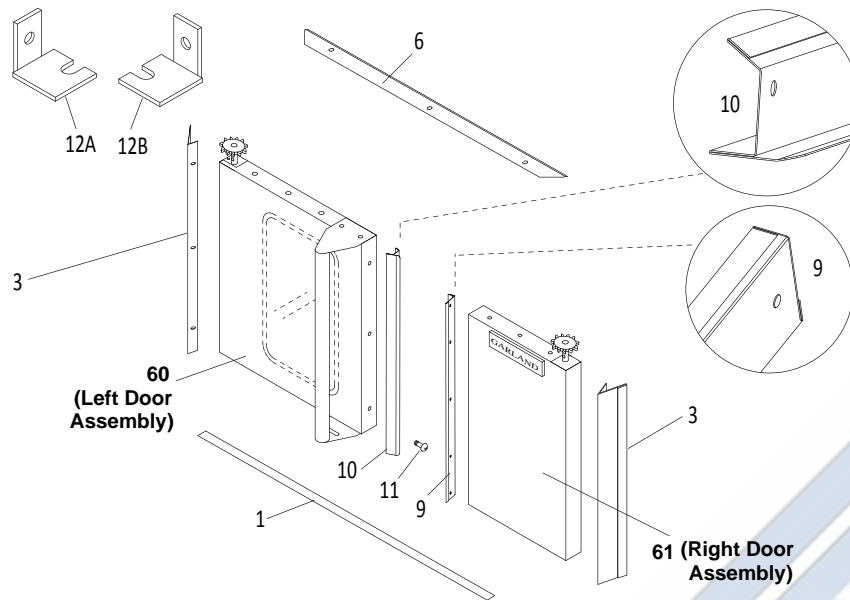
**Garland Sunfire Series Electric Convection Ovens**  
models **SCO-ES-10S, SCO-ES-20S**

**CONTROL PANEL & COMPONENTS**

ITEM	PART #	DESCRIPTION	QTY	CRITICAL
1	1918501	Cover - Upper Control Panel, SS	1	
2	GF297	#10-24 x 1/2" Slotted Thumb Screw / Knurled Screw	1	
3	115269	Overlay - Top Control Panel, Electric	1	
4	CK1946690	Control Panel Mechanical	1	
5A	115266	Overlay - SCO, 1-Speed, No Light	1	
5B	115265	Overlay - SCO, 2-Speed, No Light	1	
5C	115264	Overlay - SCO, 2-Speed, With Oven Light Option	1	
6	1955402	Rocker Switch - 2 Positions, Hi/Low, 2 Speed	1	C
7	<b>1955401</b>	<b>Rocker Switch - 3 Positions, Cook/Off/CoolDown</b>	1	C
8	1955403	Momentary Rocker Switch (Oven Light Option)	1	C
9	1936102	Indicator Lamp - Green 250V	1	
10	1936104	Indicator Lamp - Amber 250V	1	
11	1765802	Fluted Knob with two Set Screws	2	
12	1956002	Timer - 1 Hour, with Alarm, 240V	1	C
13	<b>300867</b>	<b>Power Control Board - Solid State Controller, 150-500 deg F</b> (Ref: 1955501, bulletin - GAR-03-12-AIC)	1	C
14	<b>1955601</b>	<b>Potentiometer</b>	1	C
15	1955701	Nylon Standoff - 1/4 x 1/2 x 1	2	
16	1955801	Teflon Washer - 7/16 OD	2	
17	8001502	Nut with Lockwasher - 6-32 Kep, Zinc	2	
18	1130102	Fuse Holder	2	
19	<b>1130103</b>	<b>Fuse - SC-20 300V 20A</b>	2	C
20	1918989	Bracket - Fuse Mount	1	
21	1926001	Panel - Right Side, Mid	1	
24	1637002	Main Contactor - 240V Coil	1	C
25	1193900	Terminal Block - 3 Pole, High Voltage	1	C
26	1028402	Ground Lug	1	
27	1906002	Probe - RTD, Flange Mount ( <b>USE ONLY WITH 1906003</b> )	1	C
28	1906003	Cable Assembly - Probe Extension ( <b>USE ONLY WITH 1906002</b> )	1	C
30	1671101	Boxer Cooling Fan 120mm 230V <b>Note:</b> For Fan Installation, refer to Service Bulletin B-97-2009-S.	1	C
31	1918001	Air Exhaust Duct - Standard Depth	1	
32	1918902	Bracket - Upper Control Panel Mounting	1	
40*	1949576	Wire Harness - Mechanical Control Panel	1	
41*	1949585	Wire Harness - Electric Elements	1	
43*	1949579	Wire Harness - Lights	1	
44*	1949589	Wire Harness - Electrics	1	
50*	300886	Wiring Diagram - 208/240V Electric Mechanical <b>Note:</b> Part# provided for reference only. Please contact KitchenCare for assistance.	1	

\* NOT ILLUSTRATED

**RECOMMENDED STOCK PARTS**



**Garland Sunfire Series Electric Convection Ovens**  
*models SCO-ES-10S, SCO-ES-20S*

**DOOR COMPONENTS & ASSEMBLIES**

ITEM	PART #	DESCRIPTION	QTY	CRITICAL
1	<b>1924712</b>	<b>Seal - Door, Bottom</b>	1	
3	<b>1924601</b>	<b>Seal - Door, Left &amp; Right</b>	2	
6	<b>1924711</b>	<b>Seal - Door Top</b>	1	
9	<b>1924411</b>	<b>Center - Right Door Seal</b>	1	
10	<b>1924412</b>	<b>Center - Left Door Seal</b>	1	
11	<b>8003123</b>	<b>Mscr - TH - Phil 10-24 x 5/8" Steel, Zinc Plated (for Center Seals)</b>	6	
12A	1925013	Bracket - Door Stop L/H	1	
12B	4519740	Bracket - Door Stop R/H	1	
<b>DOOR CHAIN COMPONENTS</b>				
13	<b>4520166</b>	<b>Door Chain Assembly</b> <b>Note:</b> Includes Items 14-18.	2	C
14	1014201	Connecting Door Rod - Short <b>Note:</b> Item listed for reference only. Not Sold Separately.	2	
15	1014200	Connecting Door Rod - Long <b>Note:</b> Item listed for reference only. Not Sold Separately.	2	
16	1015000	Turnbuckle 1/4-20 with 4" Take Up. Not Sold Separately.	2	
17	1021100	Roller Chain #40	2	
18	1021299	Connecting Link #40	4	
<b>DOOR SWITCH COMPONENTS</b>				
19	1949575	Wire Harness - Door Micro Switch, Mechanical Control.	1	
20	<b>4519715</b>	<b>Door Micro Switch - High Temp, High Current, for Mechanical Control</b>	2	C
21A	1925101	Cam - Door Switch. <b>Obsolete.</b> Used UP TO Jan-2014. Use item 27.	1	
21B	115338	Cam Assembly - Door Switch (Installed on any unit built after Jan-2014, serial# 1401 2300 01225. Can be used to replace item# 21A(1925101)).	1	
22A	1925001	Bracket Door Switch Right. <b>Obsolete.</b> Used UP TO Jan-2014. Use item 27.	1	
22B	114179	Bracket Door Switch (Installed on any unit built after Jan-2014, serial# 1401 2300 01225)	1	
23	8003802	10-24 x 3/8", Set Screw	2	
25	8001502	6-32 KEP Nut w/ Washer, Zinc Plated	2	
26	8003208	6-32 x 2" Machine Screw, PH, Steel, Zinc Plated	2	
27	115346	Kit, Door Switch, Mechanical Control <ul style="list-style-type: none"> <li>• For any unit built BEFORE Jan-2014, serial# 1401 2300 01225.</li> <li>• Kit includes items 19, 20, 21B, 22B. Ref: Bulletin# GAR-04-14-AC.</li> </ul>	1	
28*	1028800	1" dia. Snap Bushing	4	

\* NOT ILLUSTRATED

**RECOMMENDED STOCK PARTS**

**Garland Sunfire Series Electric Convection Ovens**  
*models SCO-ES-10S, SCO-ES-20S*

**DOOR COMPONENTS & ASSEMBLIES**

ITEM	PART #	DESCRIPTION	QTY	CRITICAL
<b>LEFT (Solid / Window Option) &amp; RIGHT DOOR (Solid Only) COMPONENTS</b> <b>Maximum Security Prison Package Hardware/Fasteners for Left/Right Door: Items 51-53</b>				
30A	CK1924396	Door Handle Assembly - Black (Prison Package) <b>Note:</b> <ul style="list-style-type: none"> <li>• Prison Package</li> <li>• COMPLETE Handle Assembly is interchangeable with the S/S version (item 31A). Individual parts not interchangeable.</li> <li>• Includes items 30B, 30C, 30D.</li> </ul>	1	
30B	1924195	Handle Tube Assembly (Handle Tube and Connectors) - Prison Package	1	
30C	1924206	Plate - Door Handle, Prison Package	2	
30D*	8003605	1/4-20 x 1" Carriage Bolt, Black, Prison Package	2	
31A	CK113797	Door Handle Assembly - S/S <b>Note:</b> <ul style="list-style-type: none"> <li>• Standard Feature</li> <li>• COMPLETE Handle Assembly is interchangeable with the black version (item 30A).</li> <li>• Includes items 31B, 31C, 31D.</li> </ul>	1	
31B	113798	Handle Tube (Handle Tube and Connectors)	1	
31C	113800	Plate - Door Handle	2	
31D*	111273	1/4-20 x 3/4" Carriage Bolt, Round Head, Square Neck	2	
34	1924001	Panel - Left Door (Solid)	1	
	1924002	Panel - Left Door (Window Option)	1	
	1924007	Panel - Left Door (Solid - Prison Package)	1	
	1924011	Panel - Left Door (Window Option - Prison Package)	1	
35	113862	Insulation - Left Door (Window Option)	1	
	113863	Insulation - Left Door (Solid)	1	
36	<b>1010999</b>	<b>Oven Door Window - 3/16" Glass (Window Option)</b>	1	
37	4520373	Weld Assembly Frame Left Door Extended Bearing Plate	1	
38	CK1923997	Panel - Left Door Liner (Window Option)	1	
	1923902	Panel - Left Door Liner (Window - Prison)	1	
	CK1923996	Panel - Left Door Liner (Solid)	1	
39	4520301	Plate - Door Bushing Extended	2	
40	1923201	Spacer - Door Hinge	2	
46	4529724	Logo, Garland, Std, Large (for non-prison door)	1	
47	113794	Panel - Right Door (Solid, no Garland Logo)	1	
	1924003	Panel - Right Door (Solid)	1	
48	113865	Insulation - Right Door (Solid)	1	
49	4520374	Weld Assembly Frame Right Door Extended Bearing Plate	1	
50	1923998	Panel - Right Door Liner (Solid)	1	
51	1925099	Door Hasp Bracket Weldment Assembly (Prison, Left / Right Door)	1	
52	1925009	Plate - Door Hasp Back (Prison, Left / Right Door)	1	
53*	8003603	3/8-16 x 3/4 Carriage Bolt (Prison, Left / Right Door)	3	
	8001210	3/8-16 Hex Nut Stl Zinc (Prison, Left / Right Door)	3	
	8000308	3/8 x 3/4 Flat Washer Stl Zinc (Prison, Left / Right Door)	3	
	8000207	3/8 x 11/64 x 3/32 Split Lock Washer, Stl Zinc (Prison, Left / Right Door)	3	

\* NOT ILLUSTRATED

**RECOMMENDED STOCK PARTS**



**Garland Sunfire Series Electric Convection Ovens**  
*models SCO-ES-10S, SCO-ES-20S*

**DOOR COMPLETE ASSEMBLIES**

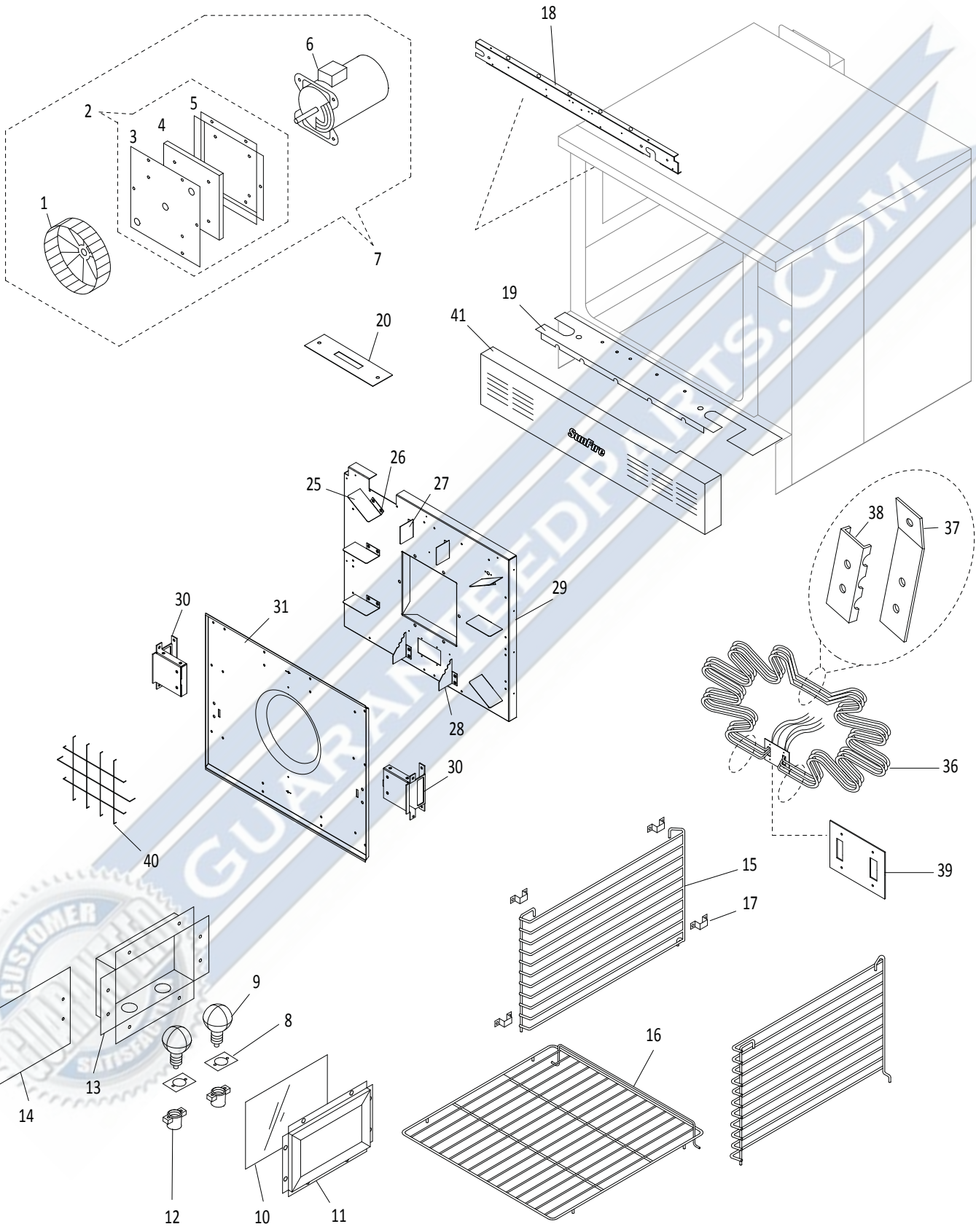
ITEM	PART #	DESCRIPTION
<b>LEFT DOOR - COMPLETE ASSEMBLIES</b> (includes Left Door Components and Left Door Center Seal)		
60	<b>STANDARD DOOR (S/S HANDLE)</b>	
	CK113796	SCO Complete Door Assembly - Left (WINDOW Option)
	CK113795	SCO Complete Door Assembly - Left (SOLID)
	<b>PRISON DOOR (BLACK HANDLE)</b>	
	4520317	SCO Complete Door Kit - Left (PRISON - WINDOW)
	4520315	SCO Complete Door Kit - Left (PRISON - SOLID)
<b>RIGHT DOOR - COMPLETE ASSEMBLY</b> (includes Right Door Components and Right Door Center Seal)		
61	<b>STANDARD DOOR</b>	
	CK113793	SCO Complete Door Assembly - Right (SOLID, No Garland Nameplate)
	4520314	MCO/SCO Complete Door Assembly - Right (SOLID, with Garland Nameplate)
	<b>PRISON DOOR</b>	
	4520316	MCO/Summit/SCO Complete Door Kit - Right (PRISON - SOLID, No Nameplate)

\* NOT ILLUSTRATED

**RECOMMENDED STOCK PARTS**







Oven Components (Electric)

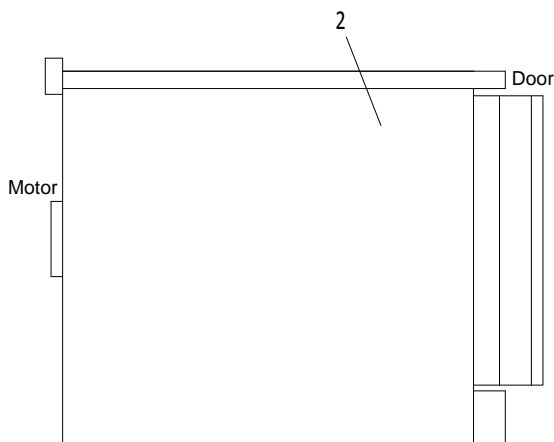
**Garland Sunfire Series Electric Convection Ovens**  
models SCO-ES-10S, SCO-ES-20S

**OVEN COMPONENTS**

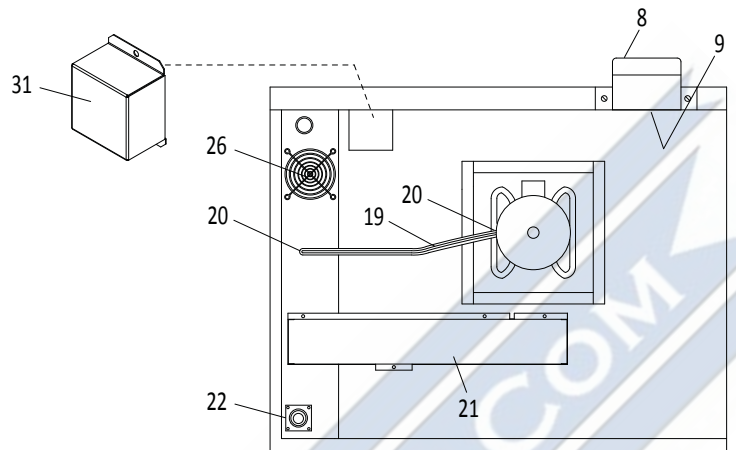
ITEM	PART #	DESCRIPTION	QTY	CRITICAL
1	G02952-01P	Blower Wheel Assembly Plated	1	
2	CK1916499	Motor Pocket Assembly	1	
3	1916401	Plate, Motor Pocket Front	1	
4	1915921	Insulation - Motor Pocket	1	
5	1916402	Motor Pocket Back	1	
6	1686712	Motor 3/4 HP, 208/240V, 2 Speed (for both 1-speed and 2-speed fan controls)	1	
7	<b>CK1003091</b>	<b>Motor Assembly - 2 Speed - 208/240 V 50/60Hz (CLV 1686798)</b> <b>(incl. items 1, 2, 6)</b>	1	C
8	1025900	Light Socket Gasket	2	
9	<b>1623900</b>	<b>Light Bulb - 40W</b>	2	
10	1676901	Glass, High Temp	1	
11	1921801	Cover, Light Box	1	
12	1025800	Lamp Socket - Porcelain	2	
13	1921902	Light Box	1	
14	1928299	Plate, Light Box Patch - Porcelain (Without Oven Lights)	1	
15	1922001	Oven Rack Guide - 10 Positions, Standard	2	
16	1922211	Oven Rack - Standard	5	
17	1765212	Oven Rack Clip	8	
18	1925201	Channel - Upper Hinge	1	
19	1925202	Channel - Lower Hinge	1	
20	4527190	Oven Vent Cap - Electric	1	
25	4527186	Air Diverter - 4.75"	6	
26	8002106	#10 x 1/2", SMSCP, TH PHIL-A, STL 2P	20	
27	4527187	Air Diverter - 3"	2	
28	4527188	Air Diverter - Bottom	2	
29	4527185	Cavity Back Panel (Porcelain)	1	
30	4527194	Fan Cover Mounting Assembly	2	
31	4527191	Fan Cover Back	1	
36	<b>4518354</b>	<b>Complete Element Assembly - 10 kW 208V</b>	1	C
	<b>4518356</b>	<b>Complete Element Assembly - 10 kW 240V</b>	1	C
		<b>Note:</b> A Complete Element Assembly includes heating elements, mounting brackets (item 37), element clamps (item 38), and wire leads.		
37	1925007	Bracket - Element Mounting	3	
38	1547600	Element Clamp	3	
39	1928205	Plate - Element Opening	1	
40	G02904-01P	Blower Inlet Cover	1	
41	113792	Cover - Lower Front Trim Obsolete	OBS	
	CK4519724	Cover - Lower Front Trim	1	
42*	113361	Insulation Kit - Standard Depth Oven	1	
43*	115074	Drip Pan, Standard Depth Oven	1	

\* NOT ILLUSTRATED

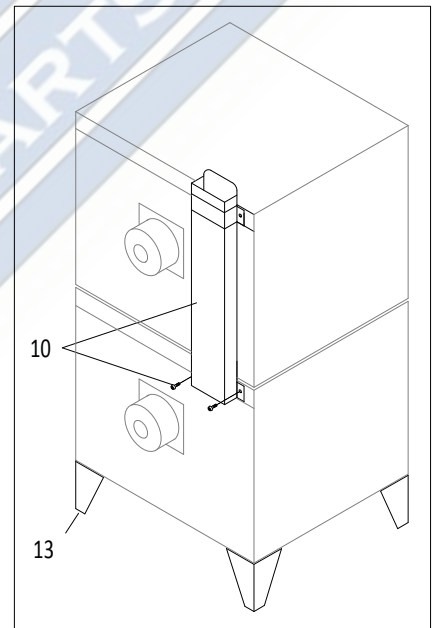
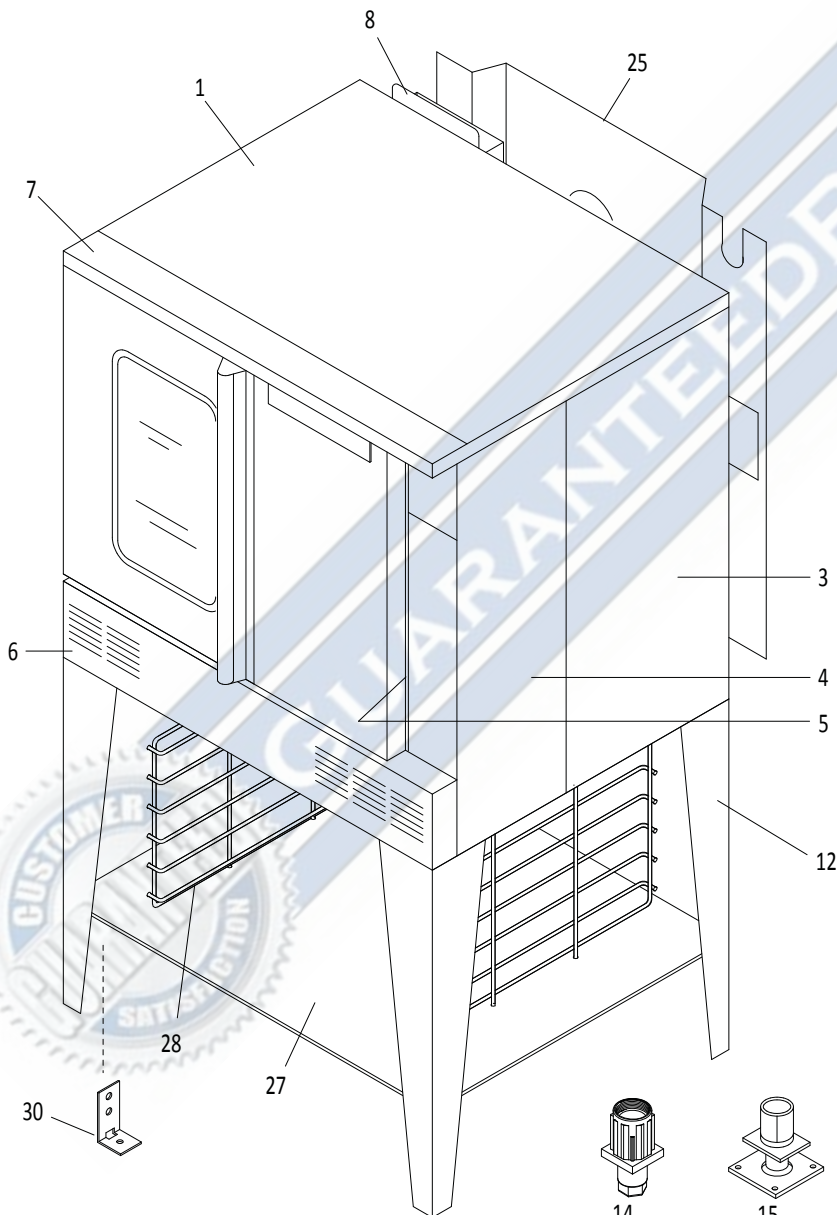
**RECOMMENDED STOCK PARTS**



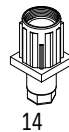
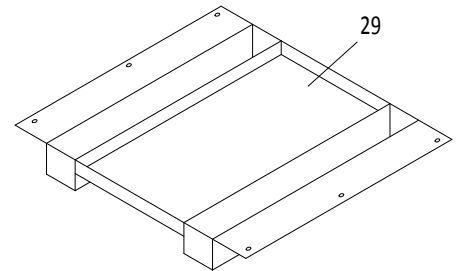
LEFT SIDE VIEW



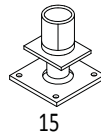
REAR VIEW



DOUBLE DECK with FLUE ASSEMBLY and LEGS



14



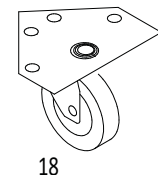
15



16



17



18

Exterior Components

**Garland Sunfire Series Electric Convection Ovens**  
models SCO-ES-10S, SCO-ES-20S

**MAIN EXTERIOR COMPONENTS**

ITEM	PART #	DESCRIPTION	QTY	CRITICAL
1	1917602	Cover - Main Top, SS	1	
2	1920201	Cover - Body Side, Left, SS	1	
3	1918701	Cover - Body Side, Right, SS	1	
4	1925901	Cover - Control Panel, Right, SS	1	
	1925999	Cover - Control Panel, Right, Prison Pack	1	
5	1925801	Cover - Control Panel, Left, SS	1	
	1925899	Cover - Lockable Control Panel, Prison Pack	1	
6	113792	Cover - Lower Front Trim, SS, Sunfire - OBSOLETE		
	CK4519724	Cover - Lower Front Trim, SS	1	
6A*	8003107	#10-24 x 3/4" Machine Screw-Th-Phl (for Lower Front Trim Cover)		
7	1925301	Cover - Upper Front Trim, SS	1	
7A*	8002107	#10 x 1/2" Machine Screw-Th-Phl-B Stl 2P (for Upper Front Trim Cover)		
8	1919999	Vent Assembly - Outer	1	
9	1919399	Vent Assembly - Standard	1	
10	CK1920099	Flue Assembly for Double Deck <b>Note:</b> Kit includes sheet metal flue channels (part# 1920001, 1920002) and fasteners (8002106).	1	
12	1927199	Leg - Single Deck, SS, for Casters, approx. 19-3/4"	4	
	CK1927197	Leg - Single Deck, SS, for Foot Inserts, approx. 24"	4	
13	1927195	Leg - Double Deck, SS	4	
14	1236100	1-1/2" Square Foot Insert - Chrome Plated	4	
15	1949701	Flanged Foot Insert ( <b>Optional Feature</b> )	4	
16	1775102	Caster Insert (Single Deck Only)	4	
17	1926501	Caster - 4" Swivel NO Brake 3/4NPT	2	
	1926502	Caster - 4" Swivel WITH Brake 3/4NPT	2	
18	1926531	Heavy Duty Caster - 5" Swivel NO Brake, for Double Deck	2	
	1926532	Heavy Duty Caster - 5" Swivel WITH Brake, for Double Deck	2	
	4524736	Kit - Casters 3" Swivel NO Brake (low profile) <b>Note:</b> Kit Includes Two Casters	1	
	4524737	Kit - Casters 3" Swivel WITH Brake (low profile) <b>Note:</b> Kit Includes Two Casters	1	
19	1029426	3/8 BX Cable 26" Long	1	
20	1028501	BX Connector - Straight	2	
21	1927899	Cover - Element Wire Raceway	1	
22	G1053-3-8	Knockout Plate with Holes (Alt. 4523287)	1	
25	CK1950302	Back Cover - SS, Standard <b>Note:</b> Includes a SS Cover Main Back Panel (1921001), a warning label, and bushing.	1	
	1921089	Cover W/A - Standard Depth (Prison Package)	1	
26	1919001	Cooling Fan Guard - 120mm	1	
27	1926902	Panel - Open Base, SS	1	
28	1926702	Rack Guide - Lower, Open Base	2	
29	1926802	Support - Rack Guide, Upper	1	
30	1927001	Clip - Lower Rack Guide Support	4	
31	1916301	Probe Connector Cover	1	

\* NOT ILLUSTRATED

**RECOMMENDED STOCK PARTS**



**Garland Sunfire Series Electric Convection Ovens**  
models **SCO-ES-10S, SCO-ES-20S**

**WIRING DIAGRAM**

(For Reference Only - Contact KitchenCare for assistance)

PART #	DESCRIPTION
300886	Wiring Diagram - 208/240V Electric Mechanical

**KITS — SINGLE & DOUBLE DECK KITS (OPEN BASE, LEGS & CASTERS)**

(For Reference Only - Contact Garland Sales Department for assistance)

PART #	DESCRIPTION
1951213	Single Deck S/S Open Base & Feet Kit
1951214	Single Deck S/S Open Base & Casters
1951204	Single Deck S/S Legs & Feet Inserts
1951205	Single Deck S/S Legs and Casters
1951209	Kit MCO - Heavy Duty Casters
1951210	Kit MCO - LO-Profile Casters
1951221	Electric - Double Deck Leg Stacking Kit
1951225	Electric - Double Deck Caster Stacking Kit
1951227	Electric - Double Deck Low Profile Caster Stacking Kit

**RELATED BULLETINS (SCO)**

BULLETIN #	SUBJECT	DATE
GAR-03-12-AIC	Master 200 Series Controller - P/N 1955501	FEB 8/12
GAR-04-14-AC	Convection Oven Door Switch Replacement Kits	FEB 14/14

**REVISION HISTORY (SCO-ES)**

REV	PAGE#	ITEM#	NOTES	DATE
0			New release. Ref: Unit built from (date) June/12 (serial#)1206230000317	JUN 20/12
1	6-8	35, 48, 60, 61	Door insulation: 113863 replaced 1915915; 113865 replaced 1915917. Door complete asm: new CK part numbers for ordering.	FEB 12/13
2	6-8	27	New door switch kits; New bracket for door switch; new CAM assembly for door switch. PCC# 130223.	FEB 27/14
	6-8	37, 49	Corrected illustration. Arms on frames are bent.	
	4-5		Overlay PCC130093 New 115264, 115265, 115266, 115269	
	14		New bulletin	
2/15  (REV3)			New rating plate location - all models Feb 2015 New maximum security package available for all models Feb 2015 Sunfire Convection Ovens are now included in the Garland Brand Sunfire Series. Model numbers unchanged. Ref Marketing Bulletin 113-060614 New drip pan. Some part numbers are revised, added prefix CK.	FEB 02/15