

Sentry Series Electric Range Match Fryers

Parts List

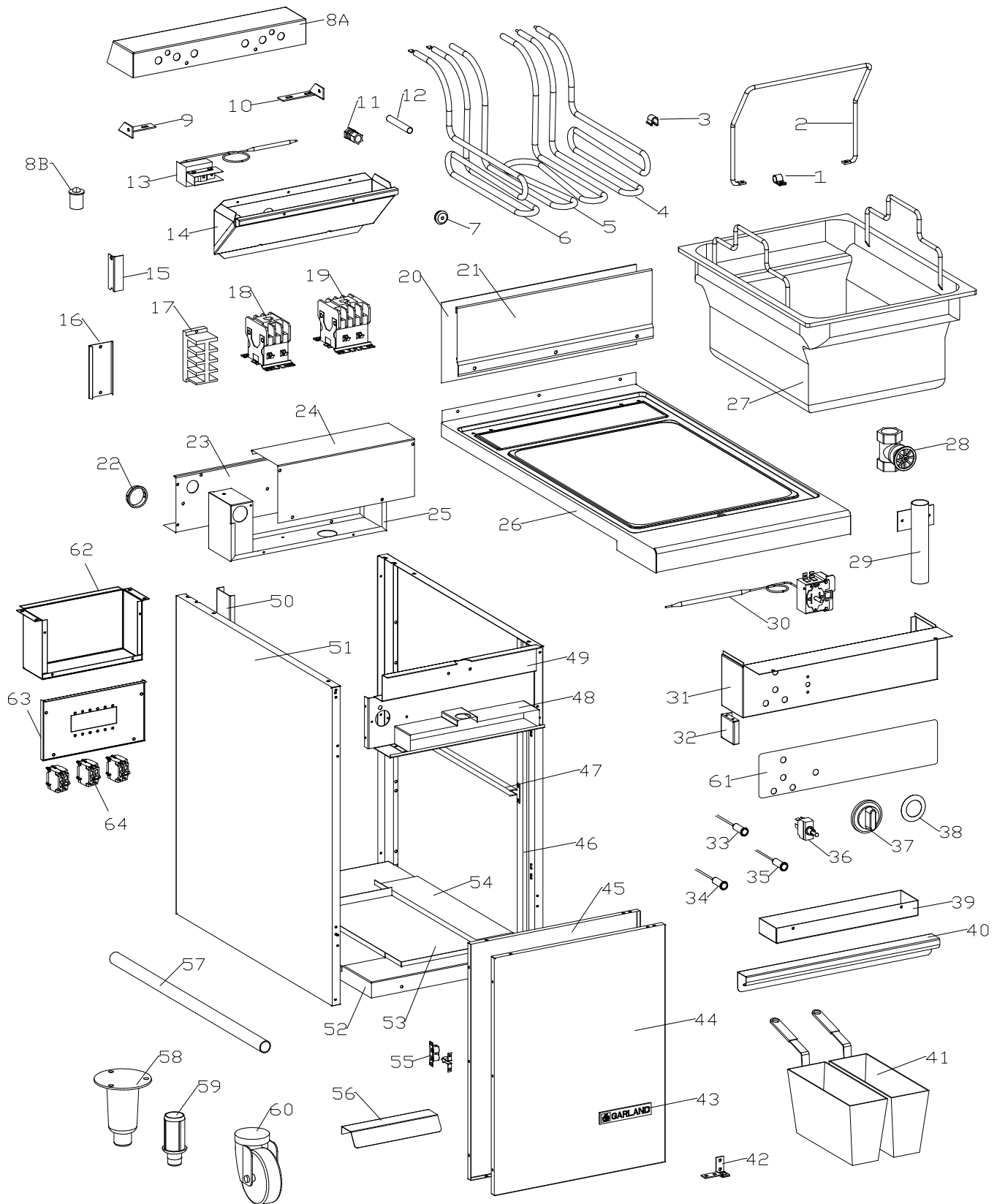
models:

S18F

S18SF

Sentry Series Electric Range - Match Fryers
Models: S18F - S18SF

CONTENTS:	PAGE
Electric Range-Match Fryers	4
Revision History	6



SK3675

GARLAND PARTS IDENTIFICATION
Electric Range Match Fryers

ITEM	PART #	DESCRIPTION	MODELS		DATE		Critical
			S18F	S18SF	UP TO	FROM	
1	GF141	Handle Clamp	2	2			
2	G02099-1	Element Lifting Handle	1	1			
3	4519722	Capillary Clip	4	4			
4	G1551-1	Element R/H (208V)	1				
	G1551-3	Element R/H (240V)	1				
	G1551-11	Element R/H (208V)		1			
	G1551-13	Element R/H (240V)		1			
	G1551-9	Element R/H (460V) (H.V. only)	1				
	G1551-15	Element R/H (460V) (H.V. only)		1			
5	G1550-1	Element Centre (208V)	1				
	G1550-2	Element Centre (240V)	1				
	G0476-01	Element Centre (208V)		1			
	G0476-02	Element Centre (240V)		1			
	G1550-5	Element Centre (460V) (H.V. only)	1				
	G0476-03	Element Centre (460V) (H.V. only)		1			
6	G1551-2	Element L/H (208V)	1				
	G1551-4	Element L/H (240V)	1				
	G1551-12	Element L/H (208V)		1			
	G1551-14	Element L/H (240V)		1			
	G1551-10	Element L/H (460V) (H.V. only)	1				
	G1551-16	Element L/H (460V) (H.V. only)		1			
7	G1155-1	Grommet	2	2			
8A	1123513	Element Panel Support	1	1			
8B	G02156-1	Rotating Head Lacth Return	1	1			
9	1333198	Hinge Bracket Assy. L/H	1	1			
10	1333199	Hinge Bracket Assy. R/H	1	1			
11	G1156-1	Straight Through Fitting	6	6			
12	G01922-5	Vinyl Sleeve - 7/16" x 3"	6	6			
13	2113600	Safety Control (L.C.C.)	1	1			
14	1123597	Rotating Head Assy.	1	1			
15	1123505	Element Stop Brkt.	1	1			
16	G01280-3-7	Terminal Channel	1	1			
17	G01268-1	Terminal Block	1	1			
18	1489701	Contactactor (3-Pole)	1	1			
19	1489801	Contactactor (4-Pole)	1	1			
20	G02310-1-9	Back Splash	1	1			
21	G02702-1-9	Back Splash Front	1	1			
22	G01487-3	Heyco Bushing	2	2			
	G01487-4	Heyco Bushing	2	2			
	G01487-5	Heyco Bushing	1	1			
23	G02289-1-8	Contactactor Mounting Plate	1	1			
24	G02303-1-7	Contactactor Enclosure Cover	1	1			
25	G02302-01-7	Contactactor Enclosure Assy.	1	1			
26	3007698	Main Top Assy.	1	1			
27	G02692-01-8P	Fry Tank Assy. (With Drain)	1	1			
	G02692-02-8P	Fry Tank Assy. (Less Drain)	1	1			
28	G2941-1P	Gate Valve	1	1			
29	3010199	Grease Tube Assy.	1	1			
30	G02319-01	Fryer Thermostat Assy.	1	1			
31	3007700	Switch Panel	1	1			
32	3008100	Switch Panel Support	2	2			

* NOT ILLUSTRATED

RECOMMENDED STOCK PARTS

GARLAND PARTS IDENTIFICATION
Electric Range Match Fryers

ITEM	PART #	DESCRIPTION	MODELS		DATE		Critical
			S18F	S18SF	UP TO	FROM	
33	G02315-1	Pilot Light (Flashing - Red)	1	1			
34	G01296-3	Pilot Light (Green)	1	1			
35	G01296-2	Pilot Light (Amber)	1	1			
36	G02320-1	Momentary Toggle Switch	1	1			
37	2138700	Dial	1	1			
38	3010301	Dial Insert ° C	1	1			
	3010300	Dial Insert ° F					
39	3002800	Grease Drawer	1	1			
40	3008000	Grease Drawer Handle	1	1			
41	G02698-2	Fryer Basket - Twin L/H	1	1			
	G02698-1	Fryer Basket - Twin R/H	1	1			
	G02699-1	Single Basket (Opt.)	1	1			
42	G02309-01-9	Door Hinge Assy.	2	2			
43	1902918	Garland Nameplate	1	1			
44	2174800	Door Panel	1	1			
45	G02308-1-8	Door Lining	1	1			
46	G02285-1-81	Front Frame Side R/H	1	1			
	G02285-1-82	Front Frame Side L/H	1	1			
47	G02297-1-8	Fry Pot Slide	2	2			
48	3007900	Grease Pan Guide	1	1			
49	3007800	Front Frame Top	1	1			
50	G02287-1-81	Rear Frame Side Support R/H	1	1			
	G02287-1-82	Rear Frame Side Support L/H	1	1			
51	G02292-1-9	Main Side	2	2			
52	2064099	Main Bottom Assy.	1	1			
53	G02300-1-8	Grease Pan	1	1			
54	G02299-1-81	Grease Pan Guide R/H	1	1			
	G02299-1-82	Grease Pan Guide L/H	1	1			
55	2671600	Catch and Striker Set	1	1			
56	2533900	Door Handle	1	1			
57	G02304-1-8	Wireway	1	1			
58	1027600	Leg Retainer - 6" (Std.) NSF (Photo on Page 7)	4	4	3-Jul-04		
	4519723	6" S/S Leg Assembly (Photo on Page 7)				3-Jul-04	
	2093800	Leg Retainer - 4"	4	4			
59	1150502	Bullet Legs (Photo on Page 7)	4	4	3-Jul-04		
60	1027800	Caster w/o Brake	2	2	10-Dec-04		
	4519432	Swivel Caster				11-Dec-04	
	1027801	Caster w/Brake	2	2	10-Dec-04		
	4519433	Swivel Caster with Brake				11-Dec-04	
	4519839	Swivel Caster without Brake - U.K. Only	2	2			
	4519840	Swivel Caster with Brake - U.K. Only	2	2			
61	3009800	Overlay	1	1			
62	3010800	Circuit Breaker Box	1	1			
63	3010900	Circuit Breaker Box Cover	1	1			
64	2687001	Circuit Breaker 1 Pole 30 Amp (220/240V) Export	3	2			
	2687002	Circuit Breaker 1 Pole 40 Amp (220/240V) Export		1			
	2688801	Circuit Breaker 2 Pole 30 Amp (208/240V) Std	3	2			
	2688802	Circuit Breaker 2 Pole 40 Amp (208/240V) Std		1			

* NOT ILLUSTRATED

RECOMMENDED STOCK PARTS



4519723 S/S Adjustable Leg
Use from July 3, 2004.
Only Available as an Assembly



1027699 : 6" Leg Retainer Assembly
Used up to: July 3, 2004.

1027600 – Leg Retainer 6"
1150502 – Leg Bullet

GARLAND PARTS IDENTIFICATION
Revision History

REV. #	PAGE #	ITEM #	NOTE	DATE
2	5	1	Part # Was G01558-31	Jan 9/04
3	6	60	new casters introduced - mounting method and overall height would be the same as the old casters. The only difference is with the diameter of the new wheel. The old casters wheel diameter is (4") new casters is (3.5") in diameter	Jan 13/05
4	5	3	New part number - was G01558-22	April 4/05
5	6	60	Description changed on Part #'s 1027800 & 1027801 - NLA deleted	Feb 23/06
6	5	26	Part number changed - was 3007699	March 19/07
7			Critical column added	June 10/10
	6	58	New part number added - 4519723	
		60	New part number added - 4519839 & 4519840	
	7		Photos added	
8	5	18, 19	1489701, was G01293-3. 1489801, was G01294-4	June 8/2017