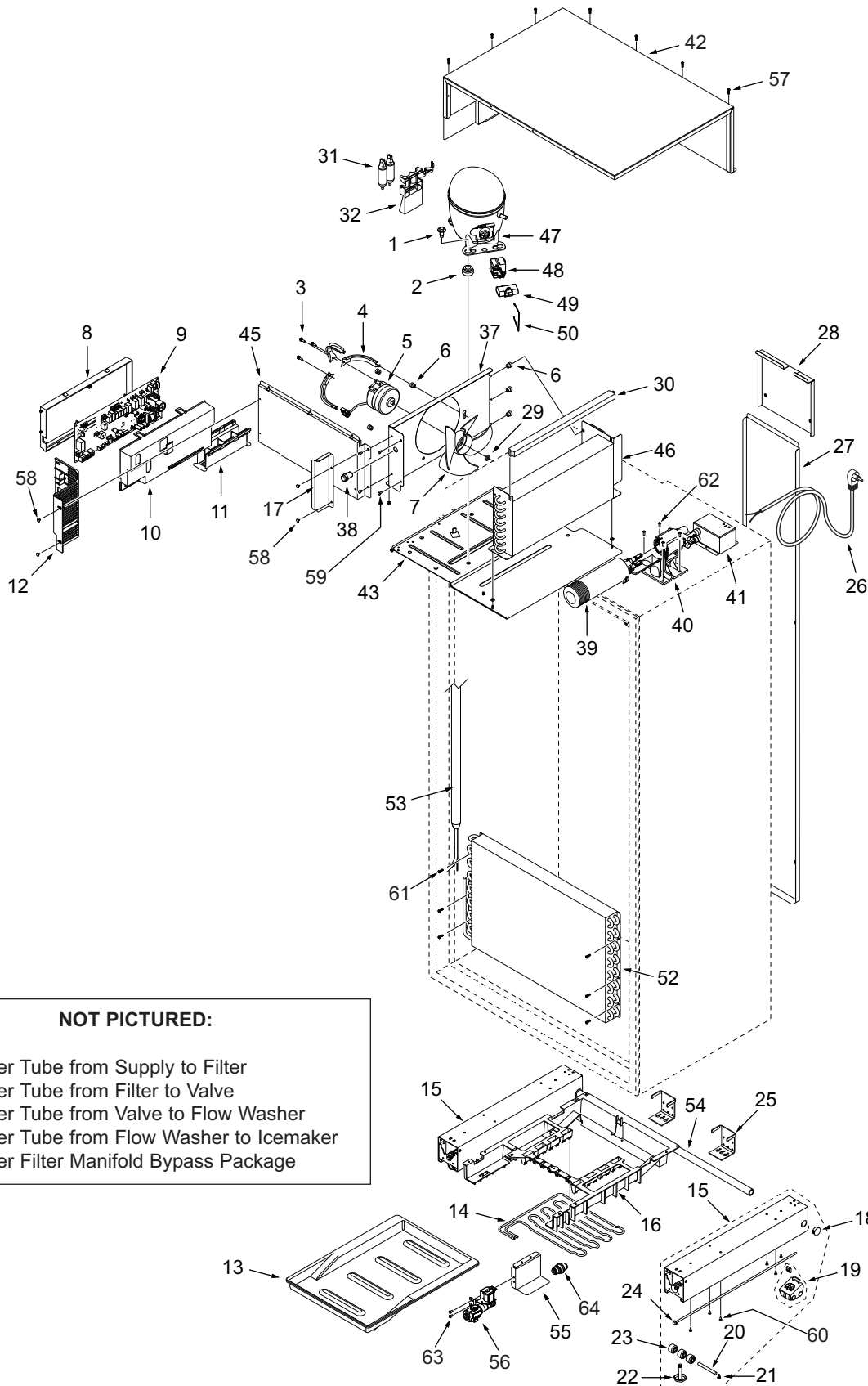


BI-36F SYSTEMS VIEW



NOT PICTURED:

- 65 Water Tube from Supply to Filter
- 66 Water Tube from Filter to Valve
- 67 Water Tube from Valve to Flow Washer
- 68 Water Tube from Flow Washer to Icemaker
- 69 Water Filter Manifold Bypass Package