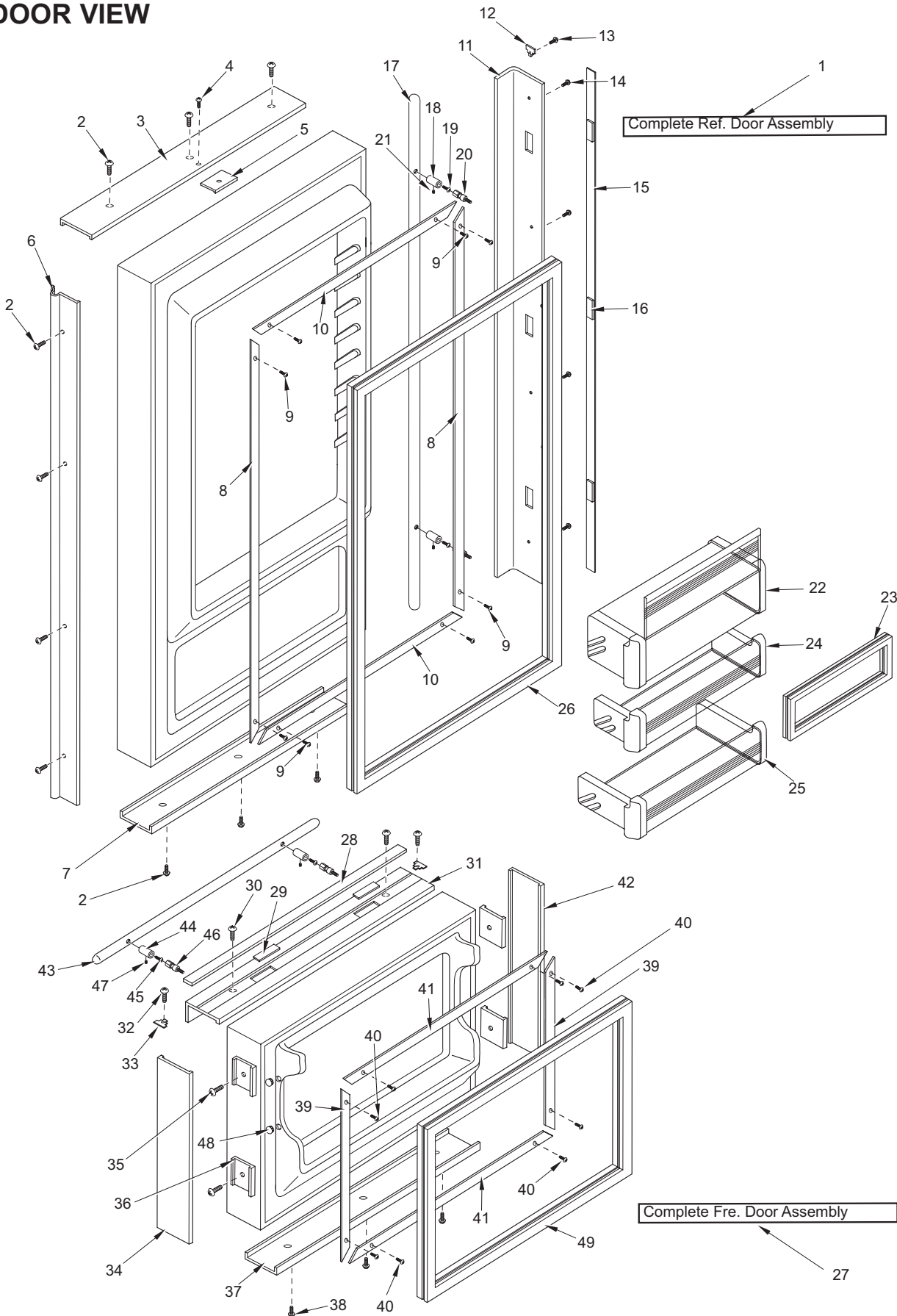


611 DOOR PARTS LIST

Ref #	Part #	Description	Ref #	Part #	Description
1	4133133	Refrig. Door Assy, Frame/Overlay - RH	25	4330520	Gallon Door Shelf Assy (Sales Acc.)
	4133134	Refrig. Door Assy, Frame/Overlay - LH	26	3212160	Door Gasket, Refrigerator
	4133283	Refrig. Door Assy, SS - RH	27	4131995	Freezer Drawer Assy, Frame/Overlay (See SN Breaks)
	4133284	Refrig. Door Assy, SS - LH		4133145	Freezer Drawer Assy, Frame/Overlay (See SN Breaks)
2	6200720	Screw, #8-18 x 1/2 Ph Truss Hd		4132525	Fre Drawr Assy (SS) (See SN Breaks)
3	2230610	Refrig. Door Trim, Top - RH		4133285	Fre Drawr Assy (SS) (See SN Breaks)
	2230611	Refrig. Door Trim, Top - LH	28	4132380	Handle/Trim Molding Assy, Freezer
4	6200720	Screw, #8-18 x 1/2 Ph Truss Hd	29	3451000	Magnet, Trim Strip - 3"
5	4200940	Switch Depressor (Includes Screw)	30	6201300	Tapping Screw, #8 x 1/2
6	3511140	Door Trim, Hinge Side - (SS Model)	31	4132260	Drawer Handle Assy, Freezer (Framed)
	3511141	Door Trim, Hinge Side - Mitered Corner		4132360	Handle-Side Door Trim, Freezer (Overlay)
7	2230612	Refrig. Door Trim, Bottom - RH	32	6180160	Rivet, Open End Blind, 1/8 x 3/16
	2230613	Refrig. Door Trim, Bottom - LH	33	3413340	Handle/Trim End Cap
8	3420240	Gasket Retainer, Side Ref, 47.438	34	2230701	Fre Drawer Trim, Rt Side
9	6200410	Screw, #8 x 1/2 Slot Head Hex	35	6180040	Pop Rivet, 3/16 x 1/8 Grip
10	3420200	Gasket Retainer, 27.062	36	3450460	Door Trim Clip
11	4132240	Door Handle Assy, Refrig. (Framed)	37	2230614	Freezer Drawer Trim, Bottom
	4132340	Handle-Side Door Trim, Ref. (Overlay)	38	6200720	Screw, #8-18 x 1/2 Ph Truss Hd
12	3413340	Handle/Trim End Cap	39	3420150	Gasket Retainer, 17.312
13	6180160	Rivet, Open End Blind, 1/8 x 3/16	40	6200410	Screw, #8 x 1/2 Slot Head Hex
14	6201300	Tapping Screw, #8 x 1/2	41	3420200	Gasket Retainer, 27.062
15	4131870	Handle/Trim Molding Assy, Refrig.	42	2230702	Fre Drawer Trim, Lt Side
16	3451000	Magnet, Trim Strip - 3"	43	4132570	Handle Assy, Fre Drwr Rnd (Incl. Stand-offs) (See SN Breaks)
17	4132200	Handle Assy,Ref 44.125 Rnd (Incl. Stand-offs) (See SN Breaks)		4133460	Hdl Assy, Fre Drwr Blunt (Incl Stndoffs) (See SN Breaks)
	4133500	Hndl Assy,Ref 44.25 Blnt (Incl stndoffs) (See SN Breaks)		4133710	Handle Assy, Obr Standoff-Fre (See SN Breaks)
	4133700	Handle Assy, SS Obr Standoff-Ref (See SN Breaks)	44	3511320	Hndle Stand-Off 1" D (See SN Breaks)
18	3511320	Handle Stand-Off 1"D (See SN Breaks)		3512160	Stndoff,SS Oval, Drwr(See SN Breaks)
	3512150	Standoff, SS Oval (See SN Breaks)	45	6110540	Bolt, #10-24 x 1/2 Flat Socket HD
19	6110540	Bolt, #10-24 x 1/2 Flat Socket HD	46	3511520	Handle Mounting Stud
20	3511520	Handle Mounting Stud	47	6110730	Set Screw #10-32 x 1/4 SS Cone
21	6110730	Set Screw #10-32 x 1/4 SS Cone	48	3550230	White Plastic Plug, 3/4
22	4330450	Dairy Compartment Assy	49	3211160	Door Gasket, Fre. (See SN Breaks)
23	3211830	Dairy Compartment Gasket		3212170	Door Gasket, Fre. (See SN Breaks)
24	4330470	Refrig. Door Shelf Assy			

611 DOOR VIEW

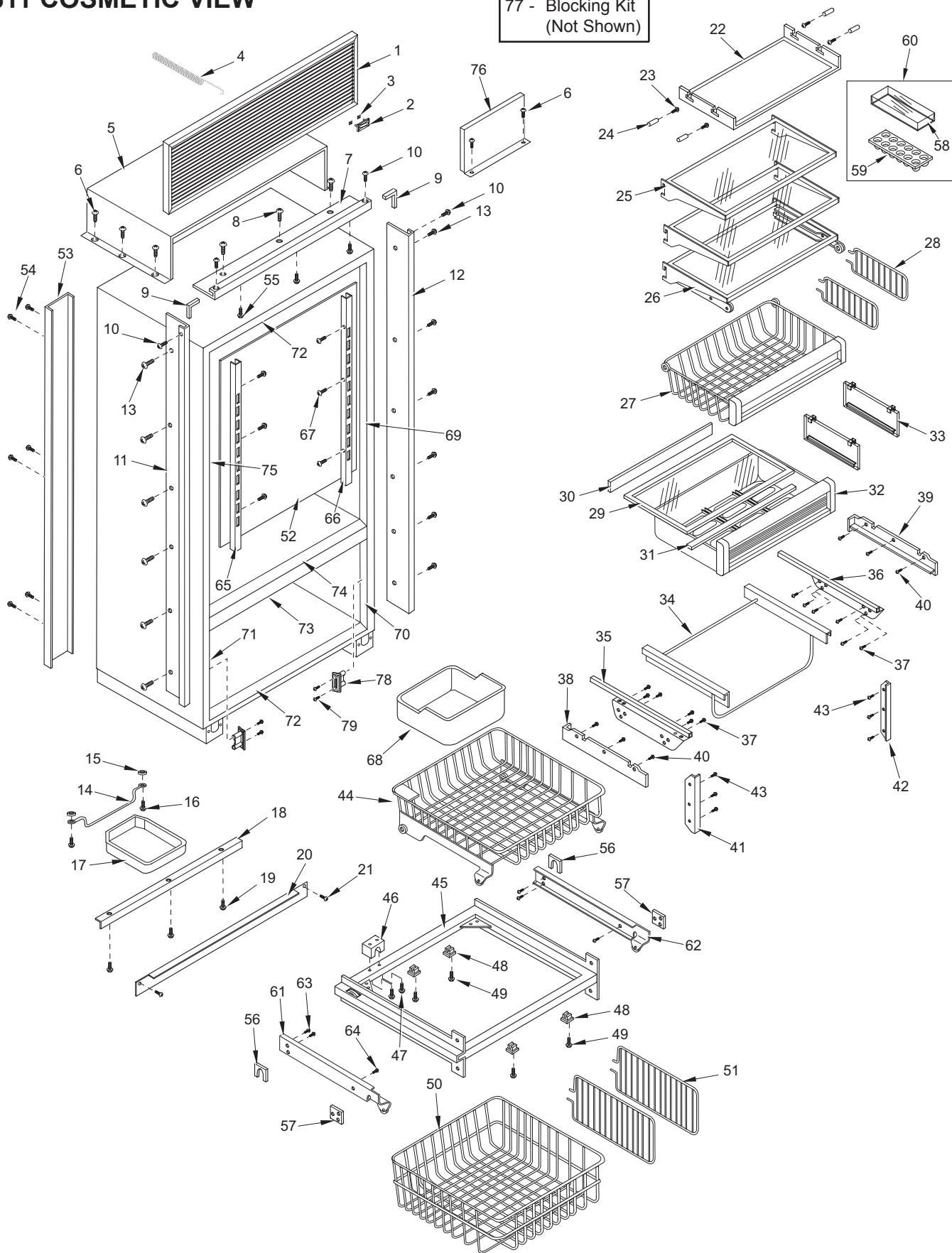


611 COSMETIC PARTS LIST

Ref #	Part #	Description	Ref #	Part #	Description
1	6LG3011	Louvered Grille Assy, 30" x 11"	39	3421712	Top Crisper Glass Support, Narrow-LH
	6PG3011	Panel Grille Assy, 30" x 11"		3421721	Top Crisper Glass Support, Wide-RH
	6SG3011	SS Grille 30" x 11" (See SN Breaks)	40	6201130	Screw, #8x 1/2" PH FL HD SS
	6SG3011/S	SS Grille,30X11-CLSC (See SN Breaks)	41	3421741	Crisper Filler Strip, Narrow (if RH)
2	3580230	Nameplate w/ Pegs		3421742	Crisper Filler Strip, Wide (if LH)
	3580210	Name Plate, Stick-on	42	3421741	Crisper Filler Strip, Narrow (if LH)
3	6150140	Spring Grip Nut, 1/8"		3421742	Crisper Filler Strip, Wide (if RH)
4	3450900	Grille spring	43	6201270	Screw, #8-18 x 5/8" PH PN SS-Gnd
5	4281260	Unit Shroud Assembly	44	4181030	Upper Fre Basket Assy (See SN Breaks)
6	6201270	Screw, #8-18 x 5/8" PH PN SS-Gnd		4181950	Upper Fre Basket Assy (See SN Breaks)
7	2229623	Main Frame, Top - LH (See SN Breaks)	45	4180820	Drawer Slide Assy, Fre (See SN Breaks)
	2229643	Main Frame, Top - LH (See SN Breaks)		4181910	Drawer Slide Assy, Fre (See SN Breaks)
	2229624	Main Frame, Top - RH (See SN Breaks)	46	3420950	Upper Freezer Basket Restraint
	2229642	Main Frame, Top - RH (See SN Breaks)	47	6200340	Screw, #6-20 x 1/2" Pan Head
8	6200010	Screw, #10-12 x 3/4" Pan HD	48	6220110	Screw Grommet, 1/2" x 9/16"
9	2210701	Main Frame Angle	49	6200130	Screw, #8-18 x 3/4" Truss HD
10	6200070	Screw, #4-24 x 3/8" Flat HD	50	3411190	Lower Freezer Basket (See SN Breaks)
11	2229608	Main Frame, Left - RH (See SN Breaks)		3413980	Lower Freezer Basket (See SN Breaks)
	2229632	Main Frame, Left - RH (See SN Breaks)	51	3411310	Lower Fre Bskt Divider (See SN Breaks)
	2229613	Main Frame, Left - LH (See SN Breaks)		3413700	Lower Fre Bskt Divider (See SN Breaks)
	2229633	Main Frame, Left - LH (See SN Breaks)	52	0201260	Refig Evap Cover
12	2229607	Main Frame, Right - LH (See SN Breaks)	53	0168120	Back Duct (See SN Breaks)
	2229631	Main Frame, Right - LH (See SN Breaks)		0169600	Back Duct (See SN Breaks)
	2229610	Main Frame, Right - RH (See SN Breaks)	54	6201060	Screw, #8x1-1/4" PH FLAT TAP
	2229630	Main Frame, Right - RH (See SN Breaks)	55	6201310	Screw, #8 x 1-3/4" Flat PH HD
13	6200210	Screw, #8-32 x 1/2" Flat Head	56	0232310	Drawer Slide Shim, Rear
14	3420760	Drain Pan Holder	57	0232300	Drawer Slide Shim, Front - .060"
15	3420670	Screw Spacer		2121180	Shim, Freezer Drawer Front-.030"
16	6201060	Screw, #8x1-1/4" PH FLAT TAP	58	3412280	Egg Tray Cover
17	0164940	Drain Pan	59	3412270	Egg Tray
18	0260720	Kickplate Support	60	4131810	Egg Tray with Cover
19	6200010	Screw, #10-12 x 3/4" Pan HD	61	4180681	Cab Slide Assy, Fre; RT(See SN Breaks)
20	0260710	Kickplate		4181801	Cab Slide Assy, Fre; RT(See SN Breaks)
	0168570	Kickplate, Stainless Steel	62	4180682	Cab Slide Assy, Fre; LT(See SN Breaks)
21	6200050	Screw, #10-12 x 1/2" Pan HD		4181802	Cab Slide Assy, Fre; LT(See SN Breaks)
22	4162580	Refrig. Light Diffuser Assembly	63	6110330	Screw, #10-32 x 1/4" Chrome Plate
23	6201330	Screw, #8-18 x 5/8" PH PN SS-Gnd	64	6200590	Screw, #12 x 1" Type A Zinc Flat HD
24	3520420	Insert / Diffuser Stand-off	65	3601821	Refrig. shelf ladder, Right
25	3601891	Glass Shelf, Spill Proof	66	3601822	Refrig. shelf ladder, Left
26	4181560	Refrig. Roll-out Shelf Assy	67	6200710	Screw, #8-18 x 3/8" Fillister HD
27	4181540	Refrig. Roll-out Basket Assy	68	3411340	Ice Bucket
28	3411160	Ref Roll-Out Bskt Divider	69	2811212	Breaker Strip, Refr, RS (See SN Breaks)
29	4151770	Crisper Glass Assembly (Incl. Seals)	70	2811213	Breaker Strip, Fre, RS (See SN Breaks)
30	3211770	Crisper Glass Seal, Rear	71	2811215	Breaker Strip, Fre, LS (See SN Breaks)
31	3211740	Crisper Glass Seal, Front	72	2811214	Brkr Strip, Ref TOP/Fre BoTtOM (See SN Breaks)
32	4181460	High Humidity Drawer Assembly			
33	3413100	Drawer Divider	73	2811502	Brkr Strip, Fre Mullion (See SN Breaks)
34	3421760	Humidity Drawer Slide-Frame	74	2811402	Brkr Strip, Ref Mullion (See SN Breaks)
35	4181412	Top Crisper Slide Assembly, Wide-LH	75	2811216	Breaker Strip, Ref, LS (See SN Breaks)
	4181421	Top Crisper Slide Assembly, Narrow-RH	76	4280950	Compsr Shroud Assy. (See SN Breaks)
36	4181411	Top Crisper Slide Assembly, Wide-RH		4281270	Compsr Shroud Assy. (See SN Breaks)
	4181422	Top Crisper Slide Assembly, Narrow-LH	77	4201310	Blocking Kit; 30" (Not Shown)
37	6201270	Screw, #8-18 x 5/8" PH PN SS-Gnd	78	3421400	Grommet,Spprt Insul. (See SN Breaks)
38	3421711	Top Crspr Glass Support, Narrow-RH		3421860	Grommet,Spprt Insul. (See SN Breaks)
	3421722	Top Crisper glass Support, Wide-LH	79	6200010	Screw, #10-12 x 3/4" Pan HD

611 COSMETIC VIEW

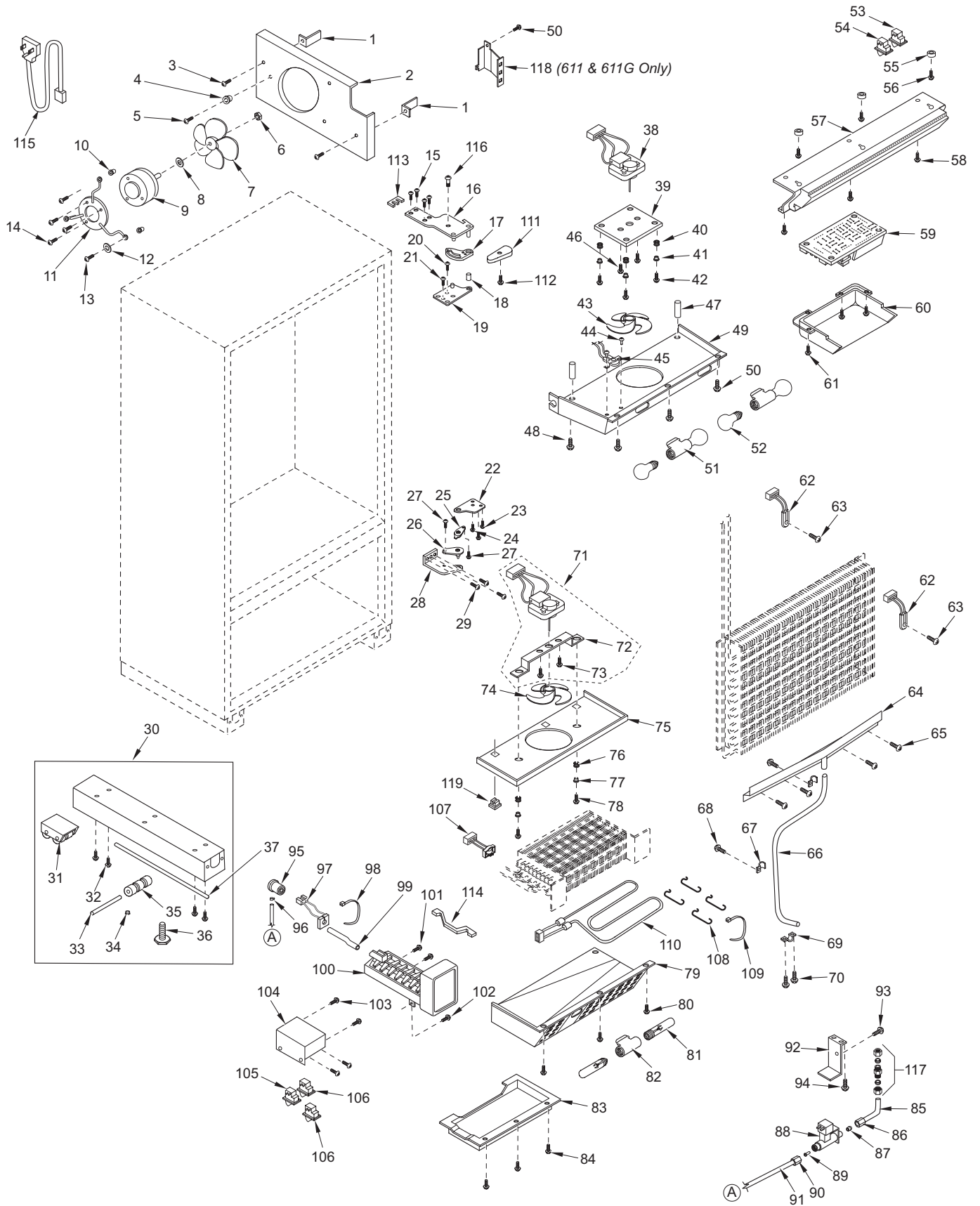
77 - Blocking Kit
(Not Shown)



611 MECHANICAL PARTS LIST

Ref #	Part #	Description	Ref #	Part #	Description
1	3450290	Angle Bracket	60	3412790	Control Board Encl. (See SN Breaks)
2	0260730	Condenser Fan Shroud (See SN Breaks)		3413940	Control Board Encl. (See SN Breaks)
	0261220	Shroud, Cond Fan (See SN Breaks)	61	6201270	Screw, #8-18 x 5/8" PH PN SS-Gnd
3	6200010	Screw, #10-12 x 3/4" Pan HD	62	3014350	Thermistor
4	3420670	Screw Spacer	63	6201270	Screw, #8-18 x 5/8" PH PN SS-Gnd
5	6200450	Screw, #8 x 1" Type AR Flat	64	4190200	Drain Trough Assy (See SN Breaks)
6	6150410	Nut, 1/4-20		0212630	Drain Trough, Ref (See SN Breaks)
7	3150320	Fan Blade, Cond, 5 prop, 7"	65	6201270	Screw, #8-18 x 5/8" PH PN SS-Gnd
8	3210340	Neoprene Silencer, 7/8"	66	1601400	Drain Tube, Wire - 1/2" x 72"
9	4200740	Motor Pkg, Cond Fan (blade not incl.)	67	6120050	Tube Clamp, Plastic, 5/8"
10	6150330	Well Nut, .75D x .804", #10-32	68	6200010	Screw, #10-12 x 3/4" Pan HD
11	3150650	Condenser Fan Bracket	69	6120210	U-Clamp, 5/8"
12	6240350	Fender Washer, .25x1.25x.06	70	6200010	Screw, #10-12 x 3/4" Pan HD
13	6201280	Machine Screw, #10-32 x 1-1/4"	71	4200160	Freezer Fan Motor Pkg. (Blade not Incl.)
14	6200490	Screw, #8-32 x 3/8" Slotted Hex T25	72	0232280	Fan Bracket, Fre
15	6110070	Bolt, 1/4-20x3/4 Spinlock Zinc	73	6110270	Bolt, #10-32 x 1/4" RD HD
16	4151831	Upper Cabinet Hinge - RH	74	3150640	Fan blade, Ref/Fre Evap.
	4151832	Upper Cabinet Hinge - LH	75	0233560	Fan Shroud, Fre Evap (See SN Breaks)
17	3421800	Door Stop Cam		4281500	Shroud Assy, Fre Evap (See SN Breaks)
18	3421790	Bearing, Top Door Hinge	76	3220250	Grommet, 3/16" x 7/16" x 9/32"
19	4151841	Hinge, Door Top - RH	77	3520120	Brass Insert, Fan Bracket
	4151842	Hinge, Door Top - LH	78	6200670	Screw, #6-18 x 3/4" Tek
20	6110540	Bolt, #10-24 x 1/2" Flat Socket HD	79	0233180	Evaporator Cover, Fre (See SN Breaks)
21	6200390	Screw, #6 x 3/8" T25 Flat Head PH		0234810	Evaporator Cover, Fre (See SN Breaks)
22	0182381	Door Hinge, Bottom; RH		0235220	Cover, Fre Evap (See SN Breaks)
	0182382	Door Hinge, Bottom; LH		0232860	Fre Evap. Cvr Lft Side (See SN Breaks)
23	6110540	Bolt, #10-24 x 1/2" Flat Socket HD		0234300	Fre Evap. Cvr Lft Side (See SN Breaks)
24	6200390	Screw, #6 x 3/8" T25 Flat Head PH	80	6200120	Screw, #10-12 x 1/2" Truss HD
25	3420690	Bottom Door Hinge Cam	81	3030040	Light Bulb, Long/Narrow; 40 watt
26	3420681	Bottom Cabinet Hinge Cam, RH	82	3050010	Light Socket, 3/4 Single (See SN Breaks)
	3420682	Bottom Cabinet Hinge Cam, LH		3050220	Socket, Light Base Sngl (See SN Breaks)
27	6110270	Bolt, #10-32 x 1/4" RD HD	83	4151880	Fre Air Duct Assy (See SN Breaks)
28	4151641	Cabinet Hinge, Bot- RH (See SN Breaks)		4234890	Fre Air Duct Assy (See SN Breaks)
	4152011	Cabinet Hinge, Bot - RH(See SN Breaks)	84	6200120	Screw, #10-12 x 1/2" Truss HD
	4151642	Cabinet Hinge, Bot - LH (See SN Breaks)	85	2600297	Tube, Copper L-Shaped
	4152012	Cabinet Hinge, Bot - LH(See SN Breaks)	86	3520380	Compression Nut
29	6110010	Bolt, #10-24 x 1/2" Flat Head UC	87	3520370	Compression Sleeve
30	4110353	Base Assy (w/rollers)	88	4202790	Water Valve
31	4110331	Base Rear Roller Assy	89	3520050	Brass Insert, Solenoid
32	6200010	Screw, #10-12 x 3/4" Pan HD	90	3520030	Icemaker Nylon Nut, 1/4"
33	3550560	Straight Pin, Base Assy, .312" x 2.88"	91	2600617	Plastic Water Line
34	3450620	Canoe Clip	92	0168160	Solenoid Water Valve Bracket
35	3421240	Cabinet Roller (Single)	93	6200780	Screw, #10-24 x 1/2" PH Hex Washer
36	3570050	Leveling Leg, #18-3/8 x 1"	94	6201270	Screw, #8-18 x 5/8" PH PN SS-Gnd
37	6110580	Adjusting Screw	95	1607700	Water Inlet Tube
38	4200170	Refrig. Fan Motor Pkg. (Blade not Incl.)	96	6220470	Fill Tube Clamp
39	0211620	Refrigerator Fan Bracket	97	3070210	Heater, Fill Tube
40	3220250	Grommet, 3/16" x 7/16" x 9/32"	98	6120450	Locking Cable Tie 9.7" BLK
41	3520410	Brass Insert, Fan	99	2605410	Water Inlet Tube Extension
42	6110270	Bolt, #10-32 x 1/4" RD HD	100	4200522	Icemaker Assembly
43	3150640	Fan blade, Ref/Fre Evap.	101	6200120	Screw, #10-12 x 1/2" Truss HD
44	6180010	Pop Rivet, 1/8"	102	6201270	Screw, #8-18 x 5/8" PH PN SS-Gnd
45	3082140	Light Terminator	103	6201270	Screw, #8-18 x 5/8" PH PN SS-Gnd
46	6110270	Bolt, #10-32 x 1/4" RD HD	104	0233820	Switch Housing, Freezer
47	6220540	Screw Grommet / Stand-off	105	3060140	SPST Light Switch
48	6201010	Screw, #8-15 x 2" Pan Head	106	3060130	SPST Fan/Icemaker Switch
49	4161970	Refrig. Fan Shroud Assy	107	3082060	Defrost Terminator
50	6201270	Screw, #8-18 x 5/8" PH PN SS-Gnd	108	1801100	Heater Clip
51	3050180	Light Socket, Double (See SN breaks)	109	6120340	Aluminum Strap
	3050250	Skt, Light MBase Dbl (See SN breaks)	110	4322580	Defrost Heater Assy (See SN Breaks)
52	3030030	Light Bulb, 40 Watt		4325190	Defrost Heater Assy (See SN Breaks)
53	3060130	SPST Fan/Icemaker Switch	111	3541017	Top Cabinet Hinge Cover, RH
54	3060140	SPST Light Switch		3541018	Top Cabinet Hinge Cover, LH
55	6160240	Nylon Spacer	112	6200140	Screw, #8-15 x 3/8" Truss HD
56	6200720	Screw, #8-18 x 1/2 PH Truss HD	113	0168680	Shim - Hinge
57	4160922	Control Panel Assy (See SN Breaks)	114	3140400	Icemaker Rudder Arm
	4161922	Control Panel Assy (See SN Breaks)	115	4321820	Power Cord
58	6201270	Screw, #8-18 x 5/8" PH PN SS-Gnd	116	3550770	90° Stop Pin
59	4202800	Control Board Pkg -Dual(See SN Breaks)	117	3520250	Water Inlet Fitting Assy
	4203520	Control Board Pkg (See SN Breaks)	118	0260740	Bracket, Condenser Shroud
			119	6220220	Scrw Grmt, 1/32X3/8 SQ(See SN Breaks)

611 MECHANICAL VIEW



611 SEALED SYSTEM PARTS LIST

<u>Ref #</u>	<u>Part #</u>	<u>Description</u>
1	4202280	Compressor, (EMI60HER)
2	3111350	Relay, (8EA403) (Used with RG108 Compressor)
	3111460	Relay, (1351408) (Used with EMI60HER Compressor)
	3111390	Overload (4TM419TFB) (Used with RG108 Compressor)
	3111470	Overload, (4TM757NFB) (Used with EMI60HER Compressor)
	3111133	Capacitor (15Mf) (Used with RG108 Compressor)
	3111470	Overload, (4TM757NFB) (Used with EMI60HER Compressor)
3	4251350	Heat Exchanger, Freezer
4	4201880	Compressor, Refrig. (EMI30HER)
5	3111370	Relay, (1351400 - for EMI30HER)
	3111410	Overload, (4TM734LFB - for EMI30HER)
6	4251330	Heat Exchanger, Refrigerator
7	3120330	Condenser, Dual
8	3014230	Filter-Drier, High Side
9	6120170	Locking Cable Tie, Red, 11-1/2"
10	0168040	Drier Bracket
11	6201270	Screw, #8-18 x 5/8" PH PN SS-Gnd
12	3130320	Evaporator Coil, Fre (See SN Breaks)
	3130600	Evaporator Coil, Fre (See SN Breaks)
13	3011130	Freezer Accumulator
14	6200120	Screw, #10-12 x 1/2" Truss HD
15	3130260	Evaporator, Refrig.
16	6201270	Screw, #8-18 x 5/8" PH PN SS-Gnd
17	2600138	Drain Pan Heater Loop
18	3421410	Drain Pan Heater Loop Support
19	6200010	Screw, #10-12 x 3/4" Pan HD
20	6200010	Screw, #10-12 x 3/4" Pan HD
21	6150220	Nut, 5/16-18 Hex Zinc
22	6240050	Flat Washer, 5/16"
23	3150010	Rubber Grommet, Small, 5/8"
	3150170	Rubber Grommet, Large, 15/16"
24	6160030	Spacer, 5/16 x 7/16 x 5/8"
	6160070	Sleeve, 5/16 x 7/16 x 7/8"
25	3014100	Suction Line Drier (Service Only - Not Shown)

611 SEALED SYSTEM VIEW

