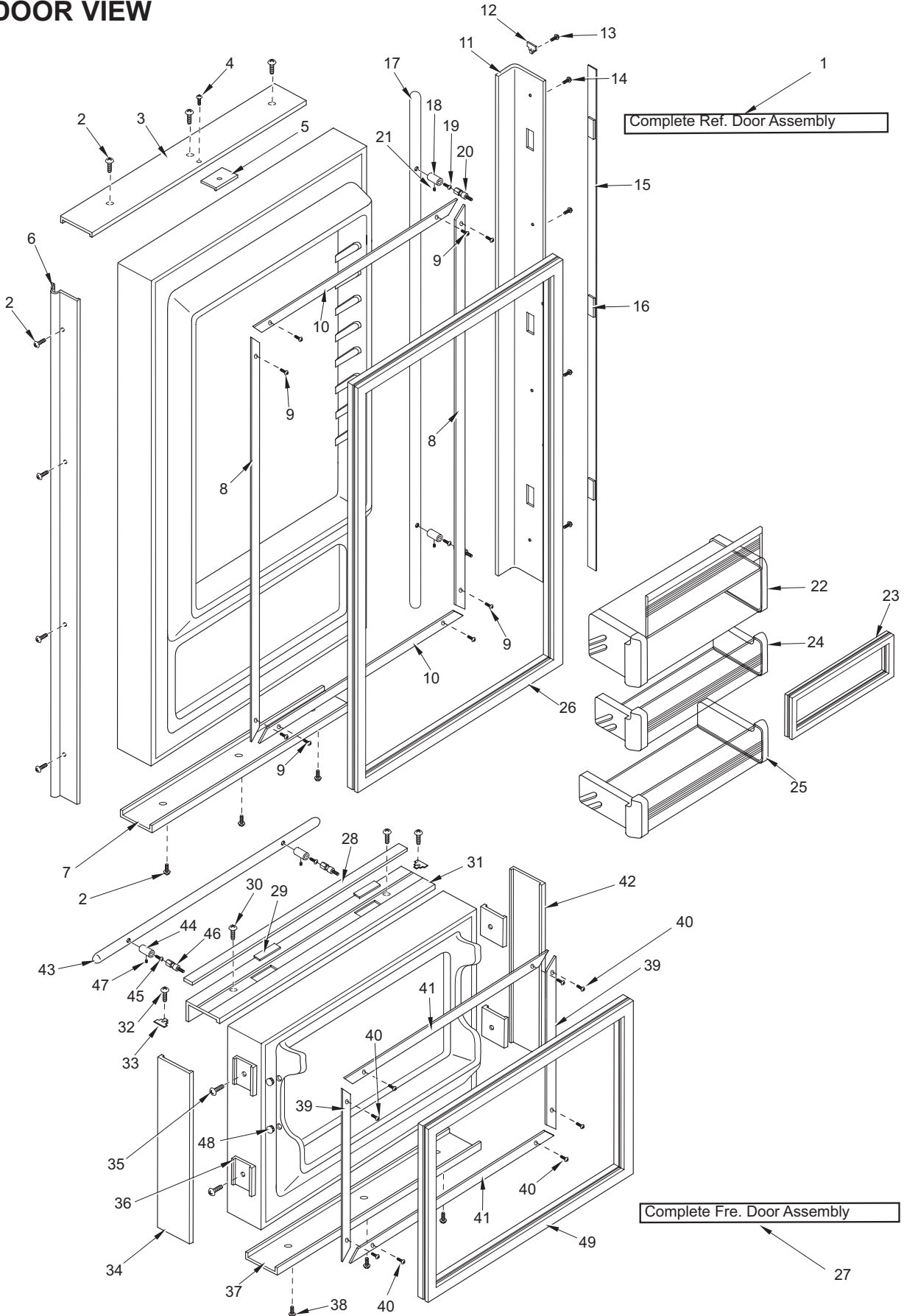


650 DOOR PARTS LIST

<u>Ref #</u>	<u>Part #</u>	<u>Description</u>	<u>Ref #</u>	<u>Part #</u>	<u>Description</u>
1	4132823	Refrig. Door Assy, Frame/Overlay - RH	25	4330530	Gallon Door Shelf Assy (Sales Acc.)
	4132824	Refrig. Door Assy Frame/Overlay - LH	26	3212130	Door Gasket, Refrigerator
	4133213	Refrig. Door Assy, SS - RH	27	4132015	Freezer Drawer Assy, Frame/Overlay (See SN Breaks)
	4133214	Refrig. Door Assy, SS - LH		4132795	Freezer Drawer Assy, Frame/Overlay (See SN Breaks)
2	6200720	Screw, #8-18 x 1/2 Ph Truss Hd		4132165	Fre Drawr Assy (SS) (See SN Breaks)
3	2230606	Refrig. Door Trim, Top - RH		4133215	Fre Drawr Assy (SS) (See SN Breaks)
	2230608	Refrig. Door Trim, Top - LH	28	4131880	Handle/Trim Molding Assy, Freezer
4	6200720	Screw, #8-18 x 1/2 Ph Truss Hd	29	3451000	Magnet, Trim Strip
5	4200940	Switch Depressor (Includes Screw)	30	6201300	Tapping Screw, #8 x 1/2
6	3511140	Door Trim, Hinge Side - (SS Model)	31	4132250	Drawer Handle Assy, Freezer (Framed)
	3511141	Door Trim, Hinge Side - Mitered Corner		4132350	Handle-Side Door Trim, Freezer (Overlay)
7	2230607	Refrig. Door Trim, Bottom - RH	32	6180160	Rivet, Open End Blind, 1/8 x 3/16
	2230609	Refrig. Door Trim, Bottom - LH	33	3413340	Handle/Trim End Cap
8	3420240	Gasket Retainer, Side Ref, 47.438	34	2230701	Fre Drawer Trim, Rt Side
9	6200410	Screw, #8 x 1/2 Slot Head Hex	35	6180040	Pop Rivet, 3/16 x 1/8 Grip
10	3420220	Gasket Retainer, 33.312"	36	3450460	Door Trim Clip
11	4132240	Door Handle Assy, Refrig. (Framed)	37	2230605	Freezer Drawer Trim, Bottom
	4132340	Handle-Side Door Trim, Ref. (Overlay)	38	6200720	Screw, #8-18 x 1/2 Ph Truss Hd
12	3413340	Handle/Trim End Cap	39	3420150	Gasket Retainer, 17.312
13	6180160	Rivet, Open End Blind, 1/8 x 3/16	40	6200410	Screw, #8 x 1/2 Slot Head Hex
14	6201300	Tapping Screw, #8 x 1/2	41	3420220	Gasket Retainer, 33.312"
15	4131870	Handle/Trim Molding Assy, Refrig.	42	2230702	Fre Drawer Trim, Lt Side
16	3451000	Magnet, Trim Strip - 3"	43	4132210	Handle Assy, Fre Drwr Rnd (Incl. Stand-offs) (See SN Breaks)
17	4132200	Handle Assy,Ref 44.125 Rnd (Incl. Stand-offs) (See SN Breaks)		4133470	Hdl Assy, Fre Drwr Blunt (Incl Stndoffs) (See SN Breaks)
	4133500	Hndl Assy,Ref 44.25 Blnt (Incl stndoffs) (See SN Breaks)		4133720	Handle Assy, Obr Standoff-Fre (See SN Breaks)
	4133700	Handle Assy, SS Obr Standoff (See SN Breaks)	44	3511320	Hndle Stand-Off 1" D (See SN Breaks)
18	3511320	Handle Stand-Off 1"D (See SN Breaks)		3512160	Stndoff,SS Oval, Drwr(See SN Breaks)
	3152150	Standoff, SS Oval (See SN Breaks)	45	6110540	Bolt, #10-24 x 1/2 Flat Socket HD
19	6110540	Bolt, #10-24 x 1/2 Flat Socket HD	46	3511520	Handle Mounting Stud
20	3511520	Handle Mounting Stud	47	6110730	Set Screw #10-32 x 1/4 SS Cone
21	6110730	Set Screw #10-32 x 1/4 SS Cone	48	3550230	White Plastic Plug, 3/4
22	4330490	Dairy Compartment Assy	49	3211110	Door Gasket, Fre. (See SN Breaks)
23	3211820	Dairy Compartment Gasket		3212120	Door Gasket, Fre. (See SN Breaks)
24	4330480	Refrig. Door Shelf Assy			

650 DOOR VIEW

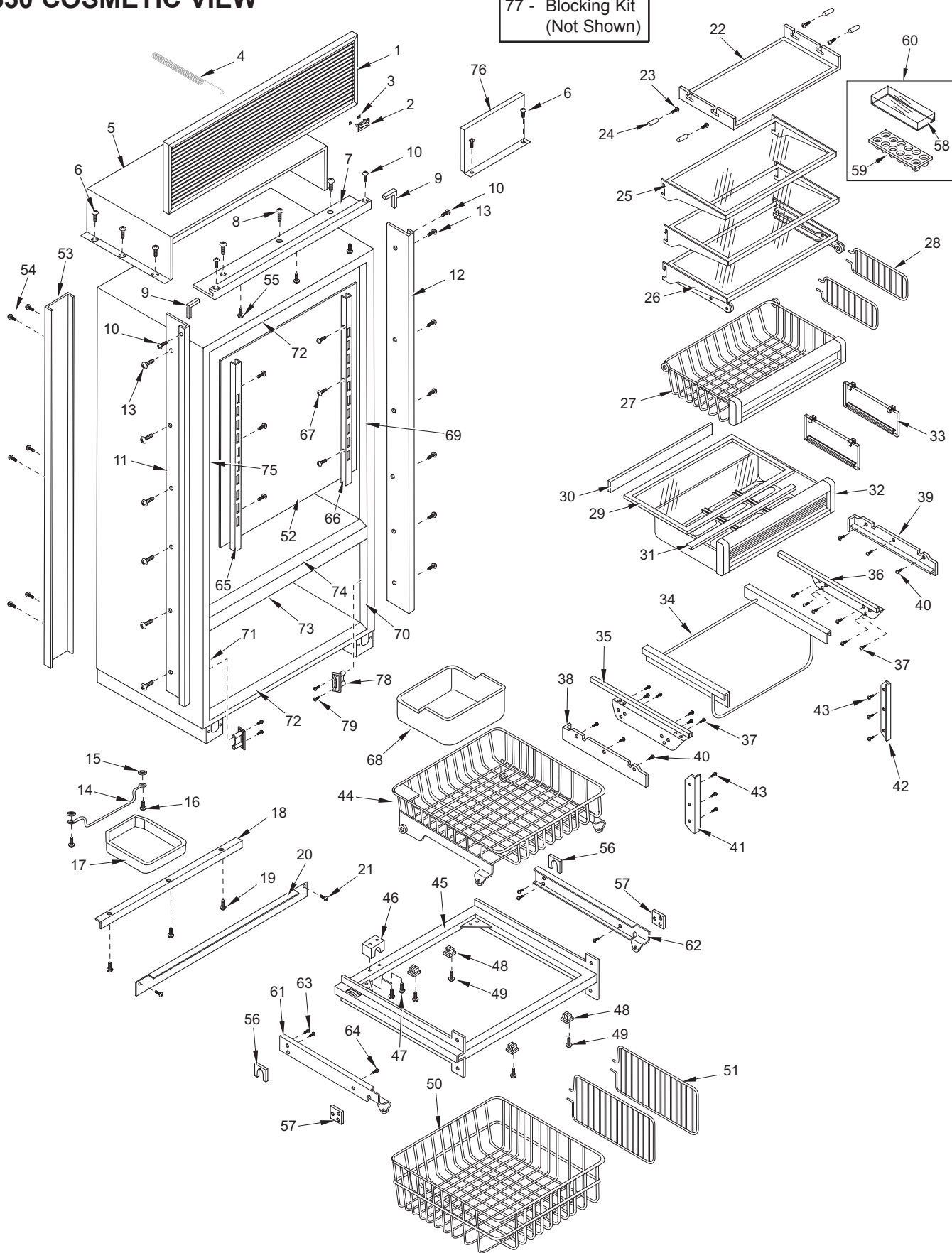


650 COSMETIC PARTS LIST

Ref #	Part #	Description	Ref #	Part #	Description
1	6LG3611	Louvered Grille Assy, 36" x 11"	38	3421711	Top Crspr Glass Support, Narrow-RH
	6PG3611	Panel Grille Assy, 36" x 11"		3421722	Top Crisper glass Support, Wide-LH
	6SG3611	SS Grille 36" x 11" (See SN Breaks)	39	3421712	Top Crisper Glass Support, Narrow-LH
	6SG3611/S	SS Grille,36X11-CLSC (See SN Breaks)		3421721	Top Crisper Glass Support, Wide-RH
2	3580230	Nameplate w/ Pegs	40	6201130	Screw, #8x 1/2" PH FL HD SS
	3580210	Name Plate, Stick-on	41	3421741	Crisper Filler Strip, Narrow (if RH)
3	6150140	Spring Grip Nut, 1/8"		3421742	Crisper Filler Strip, Wide (if LH)
4	3450900	Grille spring	42	3421741	Crisper Filler Strip, Narrow (if LH)
5	4280940	Unit Shroud Assembly		3421742	Crisper Filler Strip, Wide (if RH)
6	6201270	Screw, #8-18 x 5/8" PH PN SS-Gnd	43	6201270	Screw, #8-18 x 5/8" PH PN SS-Gnd
7	2229621	Main Frame, Top - LH (See SN Breaks)	44	4181040	Upper Fre Basket Assy (See SN Breaks)
	2229635	Main Frame, Top - LH (See SN Breaks)		4181810	Upper Fre Basket Assy (See SN Breaks)
	2229622	Main Frame, Top - RH (See SN Breaks)	45	4181050	Drawer Slide Assy, Fre (See SN Breaks)
	2229634	Main Frame, Top - RH (See SN Breaks)		4181790	Drawer Slide Assy, Fre (See SN Breaks)
8	6200010	Screw, #10-12 x 3/4" Pan HD	46	3420950	Upper Freezer Basket Restraint
9	2210701	Main Frame Angle	47	6200340	Screw, #6-20 x 1/2" Pan Head
10	6200070	Screw, #4-24 x 3/8" Flat HD	48	6220110	Screw Grommet, 1/2" x 9/16"
11	2229608	Main Frame, Left - RH (See SN Breaks)	49	6200130	Screw, #8-18 x 3/4" Truss HD
	2229632	Main Frame, Left - RH (See SN Breaks)	50	3411180	Lower Freezer Basket (See SN Breaks)
	2229613	Main Frame, Left - LH (See SN Breaks)		3413690	Lower Freezer Basket (See SN Breaks)
	2229633	Main Frame, Left - LH (See SN Breaks)	51	3411310	Lower Fre Bskt Divider (See SN Breaks)
12	2229607	Main Frame, Right - LH (See SN Breaks)		3413700	Lower Fre Bskt Divider (See SN Breaks)
	2229631	Main Frame, Right - LH (See SN Breaks)	52	0201130	Refig Evap Cover
	2229610	Main Frame, Right - RH (See SN Breaks)	53	0168120	Back Duct (See SN Breaks)
	2229630	Main Frame, Right - RH (See SN Breaks)		0169600	Back Duct (See SN Breaks)
13	6200210	Screw, #8-32 x 1/2" Flat Head	54	6201060	Screw, #8x1-1/4" PH FLAT TAP
14	3420760	Drain Pan Holder	55	6201310	Screw, #8 x 1-3/4" Flat PH HD
15	3420670	Screw Spacer	56	0232310	Drawer Slide Shim, Rear
16	6201060	Screw, #8x1-1/4" PH FLAT TAP	57	0232300	Drawer Slide Shim, Front
17	0164940	Drain Pan	58	3412280	Egg Tray Cover
18	0169590	Kickplate Support	59	3412270	Egg Tray
19	6200010	Screw, #10-12 x 3/4" Pan HD	60	4131810	Egg Tray with Cover
20	0169520	Kickplate, Solid	61	4180681	Cab Slide Assy, Fre; RT(See SN Breaks)
	0167820	Kickplate, Stainless Steel		4181801	Cab Slide Assy, Fre; RT(See SN Breaks)
21	6200050	Screw, #10-12 x 1/2" Pan HD	62	4180682	Cab Slide Assy, Fre; LT(See SN Breaks)
22	4161870	Refrig. Light Diffuser Assembly		4181802	Cab Slide Assy, Fre; LT(See SN Breaks)
23	6201330	Screw, #8-18 x 5/8" PH PN SS-Gnd	63	6110330	Screw, #10-32 x 1/4" Chrome Plate
24	3520420	Insert / Diffuser Stand-off	64	6200590	Screw, #12 x 1" Type A Zinc Flat HD
25	3601901	Glass Shelf, Spill Proof	65	3601821	Refrig. shelf ladder, Right
26	4181620	Refrig. Roll-out Shelf Assy	66	3601822	Refrig. shelf ladder, Left
27	4181520	Refrig. Roll-out Basket Assy	67	6200710	Screw, #8-18 x 3/8" Fillister HD
28	3411160	Ref Roll-Out Bskt Divider	68	3411340	Ice Bucket
29	4151750	Crisper Glass Assembly (Incl. Seals)	69	2811212	Breaker Strip, Refr, RS (See SN Breaks)
30	3211760	Crisper Glass Seal, Rear	70	2811213	Breaker Strip, Fre, RS (See SN Breaks)
31	3211730	Crisper Glass Seal, Front	71	2811215	Breaker Strip, Fre, LS (See SN Breaks)
32	4181440	High Humidity Drawer Assembly	72	2811206	Brkr Strip, Ref Top/Fre Bottom (See SN Breaks)
33	3413100	Drawer Divider	73	2811501	Brkr Strip, Fre Mullion (See SN Breaks)
34	3421770	Humidity Drawer Slide-Frame	74	2811401	Brkr Strip, Ref Mullion (See SN Breaks)
35	4181412	Top Crisper Slide Assembly, Wide-LH	75	2811216	Breaker Strip, Ref, LS (See SN Breaks)
	4181421	Top Crisper Slide Assembly, Narrow-RH	76	4280950	Compressor Shroud Assembly
36	4181411	Top Crisper Slide Assembly, Wide-RH	77	4201320	Blocking Kit; 36" (Not Shown)
	4181422	Top Crisper Slide Assembly, Narrow-LH			
37	6201270	Screw, #8-18 x 5/8" PH PN SS-Gnd			

650 COSMETIC VIEW

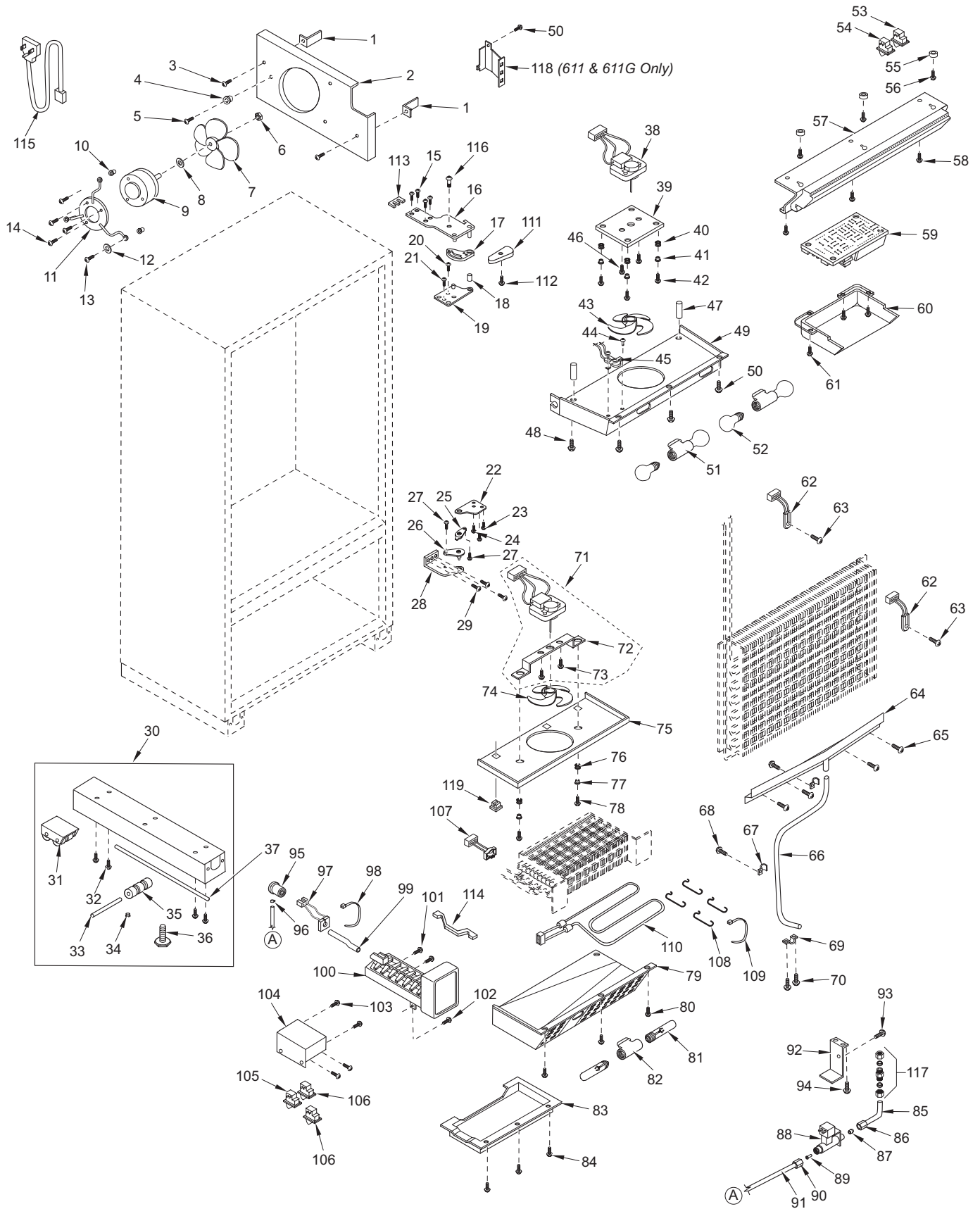
77 - Blocking Kit
(Not Shown)



650 MECHANICAL PARTS LIST

Ref #	Part #	Description	Ref #	Part #	Description
1	3450290	Angle Bracket	61	6201270	Screw, #8-18 x 5/8" PH PN SS-Gnd
2	0261200	Condenser Fan Shroud	62	3014350	Thermistor
3	6200010	Screw, #10-12 x 3/4" Pan HD	63	6201270	Screw, #8-18 x 5/8" PH PN SS-Gnd
4	3420670	Screw Spacer	64	4190150	Drain Trough Assy (See SN Breaks)
5	6200450	Screw, #8 x 1" Type AR Flat		0260540	Drain Trough Assy (See SN Breaks)
6	6150410	Nut, 1/4-20	65	6201270	Screw, #8-18 x 5/8" PH PN SS-Gnd
7	3150320	Fan Blade, Cond, 5 prop, 7"	66	1601400	Drain Tube, Wire - 1/2" x 72"
8	3210340	Neoprene Silencer, 7/8"	67	6120050	Tube Clamp, Plastic, 5/8"
9	4200740	Motor Pkg, Cond Fan (blade not incl.)	68	6200010	Screw, #10-12 x 3/4" Pan HD
10	6150330	Well Nut, .75D x .804", #10-32	69	6120210	U-Clamp, 5/8"
11	3150650	Condenser Fan Bracket	70	6200010	Screw, #10-12 x 3/4" Pan HD
12	6240350	Fender Washer, .25x1.25x.06	71	4200160	Freezer Fan Motor Pkg. (Blade not Incl.)
13	6201280	Machine Screw, #10-32 x 1-1/4"	72	0232280	Fan Bracket, Fre
14	6200490	Screw, #8-32 x 3/8" Slotted Hex T25	73	6110270	Bolt, #10-32 x 1/4" RD HD
15	6110070	Bolt, 1/4-20x3/4 Spinlock Zinc	74	3150640	Fan Blade, Evaporator
16	4151831	Upper Cabinet Hinge - RH	75	0233570	Fan Shroud, Fre Evap (See SN Breaks)
	4151832	Upper Cabinet Hinge - LH		4281510	Shroud Assy, Fre Evap (See SN Breaks)
17	3421800	Door Stop Cam	76	3220250	Grommet, 3/16" x 7/16" x 9/32"
18	3421790	Bearing, Top Door Hinge	77	3520120	Brass Insert, Fan Bracket
19	4151841	Hinge, Door Top - RH	78	6200670	Screw, #6-18 x 3/4" Teks
	4151842	Hinge, Door Top - LH	79	0232840	Evaporator Cover, Fre (See SN Breaks)
20	6110540	Bolt, #10-24 x 1/2" Flat Socket HD		0234290	Evaporator Cover, Fre (See SN Breaks)
21	6200390	Screw, #6 x 3/8" T25 Flat Head PH		0232860	Fre Evap. Cvr Lft Side (See SN Breaks)
22	0182381	Door Hinge, Bottom; RH		0234300	Fre Evap. Cvr Lft Side (See SN Breaks)
	0182382	Door Hinge, Bottom; LH	80	6200120	Screw, #10-12 x 1/2" Truss HD
23	6110540	Bolt, #10-24 x 1/2" Flat Socket HD	81	3030040	Light Bulb, Long/Narrow; 40 watt
24	6200390	Screw, #6 x 3/8" T25 Flat Head PH	82	3050020	Light Sckt, 3/4 Double (See SN Breaks)
25	3420690	Bottom Door Hinge Cam		3050220	Sckt, Light Base Sngl (See SN Breaks)
26	3420681	Bottom Cabinet Hinge Cam, RH	83	4151860	Fre Air Duct Assy (See SN Breaks)
	3420682	Bottom Cabinet Hinge Cam, LH		0234310	Fre Air Duct Assy (See SN Breaks)
27	6110270	Bolt, #10-32 x 1/4" RD HD	84	6200120	Screw, #10-12 x 1/2" Truss HD
28	4151641	Cabinet Hinge, Bot-RH (See SN Breaks)	85	2600297	Tube, Copper L-Shaped
	4152011	Cabinet Hinge, Bot-RH (See SN Breaks)	86	3520380	Compression Nut
	4151642	Cabinet Hinge, Bot-LH (See SN Breaks)	87	3520370	Compression Sleeve
	4152012	Cabinet Hinge, Bot-LH (See SN Breaks)	88	4202790	Water Valve
29	6110010	Bolt, #10-24 x 1/2" Flat Head UC	89	3520050	Brass Insert, Solenoid
30	4110353	Base Assy (w/rollers)	90	3520030	Icemaker Nylon Nut, 1/4"
31	4110331	Base Rear Roller Assy	91	2600617	Plastic Water Line
32	6200010	Screw, #10-12 x 3/4" Pan HD	92	0168160	Solenoid Water Valve Bracket
33	3550560	Straight Pin, Base Assy, .312" x 2.88"	93	6200780	Screw, #10-24 x 1/2" PH Hex Washer
34	3450620	Canoe Clip	94	6201270	Screw, #8-18 x 5/8" PH PN SS-Gnd
35	3421240	Cabinet Roller (Single)	95	1607700	Water Inlet Tube
36	3570050	Leveling Leg, #18-3/8 x 1"	96	6220470	Fill Tube Clamp
37	6110580	Adjusting Screw	97	3013820	Fill Tube Heater
38	4200170	Refrig. Fan Motor Pkg. (Blade not Incl.)	98	6120450	Locking Cable Tie 9.7" BLK
39	0211620	Refrigerator Fan Bracket	99	2605410	Water Inlet Tube Extension
40	3220250	Grommet, 3/16" x 7/16" x 9/32"		6220470	Fill Tube Clamp
41	3520410	Brass Insert, Fan	100	4200522	Icemaker Assembly
42	6110270	Bolt, #10-32 x 1/4" RD HD	101	6200120	Screw, #10-12 x 1/2" Truss HD
43	3150640	Fan blade, Ref/Fre Evap.	102	6201270	Screw, #8-18 x 5/8" PH PN SS-Gnd
44	6180010	Pop Rivet, 1/8"	103	6201270	Screw, #8-18 x 5/8" PH PN SS-Gnd
45	3082140	Light Terminator	104	0233820	Switch Housing, Freezer
46	6110270	Bolt, #10-32 x 1/4" RD HD	105	3060140	SPST Light Switch
47	6220540	Screw Grommet / Stand-off	106	3060130	SPST Fan/Icemaker Switch
48	6201010	Screw, #8-15 x 2" Pan Head	107	3082060	Defrost Terminator
49	4161330	Refrig. Fan Shroud Assy	108	1801100	Heater Clip
50	6201270	Screw, #8-18 x 5/8" PH PN SS-Gnd	109	6120340	Aluminum Strap
51	3050180	Light Socket, Double (See SN Breaks)	110	4321760	Defrost Heater Assy (See SN Breaks)
	3050250	Sckt, Light M Base Dbl (See SN Breaks)		4324640	Defrost Heater Assy (See SN Breaks)
52	3030030	Light Bulb, 40 Watt	111	3541017	Top Cabinet Hinge Cover, RH
53	3060130	SPST Fan/Icemaker Switch		3541018	Top Cabinet Hinge Cover, LH
54	3060140	SPST Light Switch	112	6200140	Screw, #8-15 x 3/8" Truss HD
55	6160240	Nylon Spacer	113	0168680	Shim - Hinge
56	6200720	Screw, #8-18 x 1/2 PH Truss HD	114	3140400	Icemaker Rudder Arm
57	4160782	Control Panel Assy (See SN Breaks)	115	4321820	Power Cord
	4161342	Control Panel Assy (See SN Breaks)	116	3550770	90° Stop Pin
58	6201270	Screw, #8-18 x 5/8" PH PN SS-Gnd	117	3520250	Water Inlet Fitting Assy
59	4202800	Control Board Pkg-Dual (See SN Breaks)	118	NA	
	4203520	Control Board Pkg (See SN Breaks)	119	6220220	Scrw Grmt, 1/32X3/8 SQ(See SN Breaks)
60	3412790	Control Board Encl. (See SN Breaks)			
	3413940	Control Board Encl. (See SN Breaks)			

650 MECHANICAL VIEW



650 SEALED SYSTEM PARTS LIST

<u>Ref #</u>	<u>Part #</u>	<u>Description</u>
1	4202280	Compressor, (EMI60HER)
2	3111041	Relay, (PTH490) (Used with DA73 Compressor)
	3111460	Relay, (1351408) (Used with EMI60HER Compressor)
	3111430	Overload (4TM419MFB) (Used with DA73 Compressor)
	3111470	Overload, (4TM757NFB) (Used with EMI60HER Compressor)
	3111070	Capacitor (12Mf) (Used with DA73 Compressor)
3	4251270	Heat Exchanger, Freezer
4	4201880	Compressor, Refrig. (EMI30HER)
5	3111370	Relay, (1351400 - for EMI30HER)
	3111410	Overload, (4TM734LFB - for EMI30HER)
6	4251290	Heat Exchanger, Refrigerator
7	3120330	Condenser, Dual
8	3014230	Filter-Drier, High Side
9	6120170	Locking Cable Tie, Red, 11-1/2"
10	0168040	Drier Bracket
11	6201270	Screw, #8-18 x 5/8" PH PN SS-Gnd
12	3130300	Evaporator Coil, Fre (See SN Breaks)
	3130580	Evaporator Coil, Fre (See SN Breaks)
13	3011130	Freezer Accumulator
14	6200120	Screw, #10-12 x 1/2" Truss HD
15	3130270	Evaporator, Refrig.
16	6201270	Screw, #8-18 x 5/8" PH PN SS-Gnd
17	2600138	Drain Pan Heater Loop
18	3421410	Drain Pan Heater Loop Support
19	6200010	Screw, #10-12 x 3/4" Pan HD
20	6200010	Screw, #10-12 x 3/4" Pan HD
21	6150220	Nut, 5/16-18 Hex Zinc
22	6240050	Flat Washer, 5/16"
23	3150010	Rubber Grommet, Small, 5/8"
	3150170	Rubber Grommet, Large, 15/16"
24	6160030	Spacer, 5/16 x 7/16 x 5/8"
	6160070	Sleeve, 5/16 x 7/16 x 7/8"
25	3014100	Suction Line Drier (Service Only - Not Shown)

650 SEALED SYSTEM VIEW

