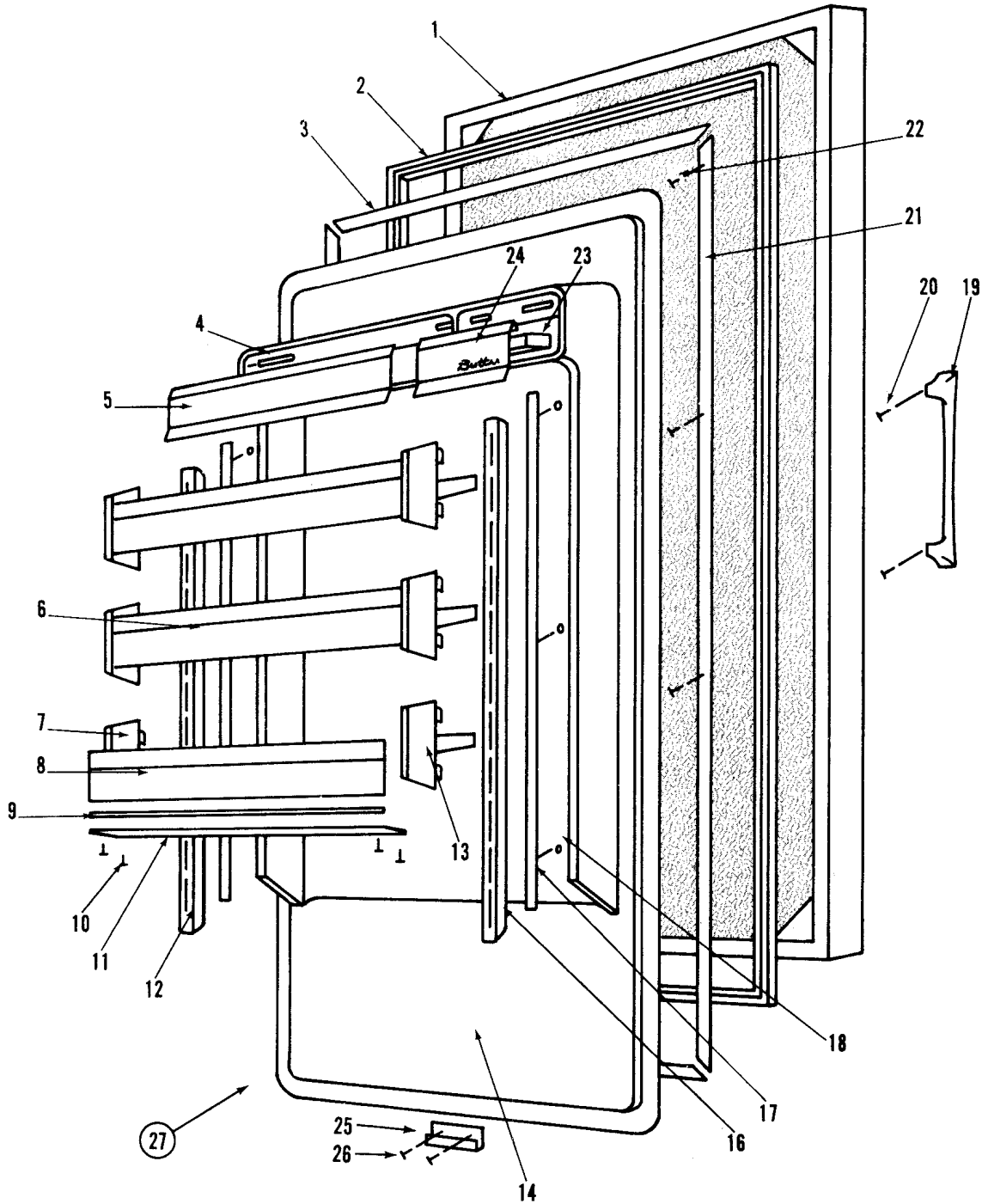


215 R DOORS

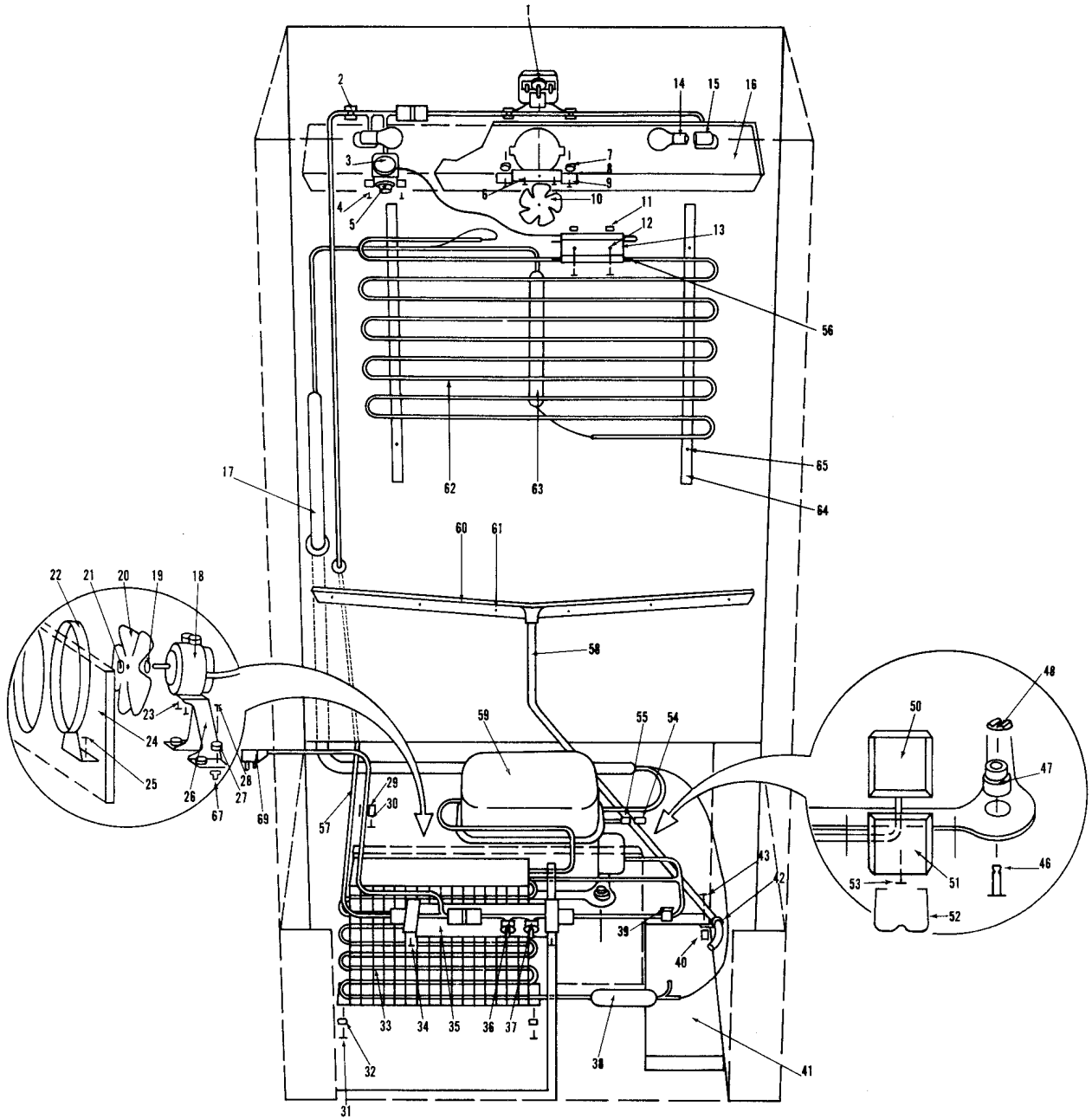


| Item # | Part # | Description | Item # | Part # | Description |
|--------|------------|--------------------------------------|--------|------------|---|
| 1 | 0-47037-0 | Door Shell | 16 | 2-2145-08 | Door Shelf Ladder, 33-1/8 |
| 2 | 3-21-005-0 | Door Gasket, 33.813 x 58.375 | 17 | 4-15-019-0 | Door Shelf Ladder Holder Assembly, 29.5 |
| 3 | 3-42-022-0 | Top & Bottom Gasket Retainer, 33.312 | 18 | 6-15-032-0 | Nut, #8-32 Pal (D0832075) |
| 4 | 3-42-005-0 | Butter Door Rod | 19 | 3-51-008-0 | Door Handle, 1-1/2 x 14 |
| 5 | 3-48-035-0 | Dairy Door, 4.875 x 20.25 | 20 | 6-11-009-0 | Bolt, #10-24 x 1/2 Truss Head |
| 6 | 4-33-011-0 | Door Shelf Assembly, 29-1/8 | 21 | 3-42-025-0 | Side Gasket Retainer, 57.875 |
| 7 | 3-60-022-2 | Left Side Door Shelf End Cap | 22 | 6-20-041-0 | Screw, #9 x 1/2 Slot Head Hex |
| 8 | 3-51-011-0 | Door Shelf Guard, 28.375 | 23 | 3-44-001-0 | Butter Dish, 3-1/8 x 6-1/8 |
| 9 | 1-2163-00 | Door Shelf Tray Support, 25-7/8 | 24 | 3-48-036-0 | Butter Door, 4.875 x 7.688 |
| 10 | 6-20-039-0 | Screw, #6 x 3/8 PH Type 25 Flat Head | 25 | 0-48079-1 | Switch Depressor (White) |
| 11 | 2-8061-01 | Door Shelf Tray, 26.81 | 26 | 6-11-009-0 | Bolt, #10-24 x 1/2 Truss Head |
| 12 | 2-2145-08 | Door Shelf Ladder, 33-1/8 | 27 | 4-13-063-1 | Complete Door Assembly, Right Hand |
| 13 | 3-60-022-1 | Right Side Door Shelf End Cap | | 4-13-063-2 | Complete Door Assembly, Left Hand |
| 14 | 0-18211-0 | Door Liner | | | |

215 R SYSTEM VIEW

| <u>Item #</u> | <u>Part #</u> | <u>Description</u> |
|---------------|---------------|--|
| 1 | 4-20-017-0 | Refrigerator Fan Motor, 23 Watt |
| 2 | 6-12-016-0 | Cord Clip; Plastic, 5/16 x 1/2 |
| 3 | 3-01-234-1 | Control (Also See 3-01-230-0) |
| 4 | 6-11-005-0 | Bolt, #8-32 x 3/8 Truss Head |
| 5 | 3-01-232-0 | Control Knob |
| 6 | 6-11-027-0 | Bolt, #10-32 x 1/4 Round Head |
| 7 | 6-15-033-0 | Wellnut, #10-32 |
| 8 | 0-21129-0 | Refrigerator Fan Bracket |
| 9 | 6-11-032-0 | Bolt, #10-32 x 3/4 Truss Head |
| 10 | 3-15-021-0 | Fan Blade, 4" |
| 11 | 6-15-013-0 | Nut, #10-24 Hex S/S |
| 12 | 6-11-003-0 | Bolt, #10-24 x 1/2 Round Head |
| 13 | 4-16-012-0 | Control Clamp |
| 14 | 3-03-003-0 | Light Bulb, 40 Watt |
| 15 | 3-05-003-0 | Light Socket |
| 16 | 0-21099-0 | Refrigerator Fan Shroud |
| 17 | 4-25-049-0 | Refrigerator Heat Exchanger |
| 18 | 3-15-028-0 | Condenser Fan Motor; 1.5 Watt, 4 Pole |
| 19 | 3-21-034-0 | Neoprene Silencer, 7/8" |
| 20 | 3-15-027-0 | Fan Blade; 5 Prop, 7" |
| 21 | 6-15-041-0 | Nut, 1/4-20 |
| 22 | 4-15-057-0 | Fan Guard Assembly |
| 23 | 6-20-049-0 | Screw, #8-32 x 3/8 Type 25 Slotted Hex |
| 24 | 2-4013-05 | Condenser Fan Shroud |
| 25 | 6-20-002-0 | Screw, #7-16 x 1/2 Pan Head |
| 26 | 2-8016-03 | Fan Bracket, 2-1/4" |
| 27 | 3-22-016-0 | Grommet, 3/16 x 7/16 x 9/32 |
| 28 | 6-20-043-0 | Screw, #8-18 x 1/2 |
| 29 | 6-12-015-0 | Wire Clamp; Stl w/Rub, 7/16 |
| 30 | 6-20-002-0 | Screw, #7-16 x 1/2 Pan Head |
| 31 | 6-11-002-0 | Bolt, #10-24 x 3/8 Truss Head |
| 32 | 6-15-007-0 | Nut, #10A Self Retaining U-Type |
| 33 | 3-12-003-0 | Condenser, 2-1/2 x 8 x 11-5/16 |
| 34 | 6-20-002-0 | Screw, #7-16 x 1/2 Pan Head |
| 35 | 0-16360-0 | Switch Housing |
| 36 | 3-06-002-0 | Door Switch, Normally Open (Fan) |
| 37 | 3-06-003-0 | Door Switch, Normally Closed (Light) |
| 38 | 3-01-405-0 | Drier, 1/4 x .095 |
| 39 | 6-12-016-0 | Plastic Cord Clip, 5/16 |
| 40 | 6-16-005-0 | Spacer, 7/32 x 3/8 x 1-1/8 |
| 41 | 3-49-005-0 | Drain Pan, 1 x 6 x 19 |
| 42 | 6-12-005-0 | Plastic Tube Clamp, 5/8 |
| 43 | 6-20-019-0 | Screw, #10-12 x 1-1/2 Pan Head |
| 46 | 6-22-010-0 | Compressor Stud, 13/16 x 1-1/4 |
| 47 | 3-15-017-0 | Rubber Grommet, 15/16 x 1.25 |
| 48 | 3-45-004-0 | Compressor Clip, 7/8 x 3/16 |
| 50 | 3-11-067-0 | Overload Relay Assembly (S125-1156DT) |
| 51 | 3-11-064-0 | Relay Cover |
| 52 | 3-11-065-0 | Relay Clamp |
| 53 | 6-11-035-0 | Screw |
| 54 | 3-09-008-0 | Valve Cap |
| 55 | 3-09-001-0 | Base Valve, 1/2 x 1-3/8 |
| 56 | 3-04-003-0 | Control Plastic Sleeve |
| 57 | 4-32-122-0 | Cabinet Wiring Harness |
| 58 | 1-6014-00 | Drain Tube, 5/8" x 6' |
| 59 | 3-11-059-0 | Compressor (125WSIKVR) |
| 60 | 4-19-005-0 | Drain Trough Assembly, 1.75 x 30.00 |
| 61 | 6-20-012-0 | Screw, #10-12 x 1/2 Truss Head |
| 62 | 4-21-036-0 | Refrigerator Evaporator Assembly |
| 63 | 3-01-103-0 | Accumulator, 7/8 x 15-5/8 |
| 64 | 2-8040-01 | Evaporator Holder, 30" |
| 65 | 6-20-009-0 | Screw, #8-15 x 1-3/4 Truss Head |
| 67 | 3-52-012-0 | Brass Insert, 3/16 x 9/32 |
| 69 | 3-02-229-0 | Power Cord, Gray |

215 R SYSTEM VIEW



215 R COSMETIC VIEW

| Item # | Part # | Description |
|--------|------------|--|
| 2 | 0-16371-1 | Back Cover (White) |
| 3 | 6-20-023-0 | Screw, #8-18 x 1/2 Hex Head |
| 4 | 3-57-004-0 | Leveling Leg, 3/8-18 x 1-1/2 |
| 5 | 6-22-013-0 | Ball Stud |
| 6 | 4-11-017-0 | Unit Base Assembly |
| 7 | 3-54-029-0 | Lower Hinge, Right Hand |
| | 3-54-030-0 | Lower Hinge, Left Hand |
| 8 | 6-11-007-0 | Bolt, 1/4-20 x 5/8 Hex Head |
| 9 | 3-42-007-0 | Hinge Bearing |
| 10 | 6-18-001-0 | Pop Rivet, 1/8 Aluminum |
| 11 | 0-46121-0 | Grille Shroud |
| 12 | 6-15-014-0 | Spring Grip Nut, 1/8 |
| 13 | 3-58-010-0 | Name Plate, 13/16 x 4-9/16 |
| 14 | 4-24-026-1 | Grille Assembly, Right Hand |
| | 4-24-026-2 | Grille Assembly, Left Hand |
| 15 | 3-48-068-0 | Crisper Front (Vegetable), 14.647 |
| 16 | 3-48-073-0 | Crisper Handle, .44 x 1.53 x 14.491 |
| 17 | 3-41-028-0 | Crisper Basket Only, 15.00 x 15.96 x 15.68 |
| | 4-18-050-0 | Crisper Basket Assembly (Vegetable), 15.00 x 15.95 |
| 18 | 3-21-022-0 | Front Crisper Seal, 30.44 |
| 19 | 4-15-049-0 | Crisper Glass Assembly, 31.44 x 15.50 |
| 20 | 4-15-037-0 | Crisper Trim Assembly, 31.625 |
| 21 | 3-42-030-0 | Center Crisper Support, .29 x .31 x 6.25 |
| 22 | 6-22-020-0 | Support; Barrel Type, .225 x .406 |
| 24 | 6-20-032-0 | Screw, #8-32 x 1/2 Truss Head |
| 25 | 2-8058-01 | Door Closer |
| 26 | 3-48-067-0 | Crisper Front Only (Meat), 14.647 |
| | 4-18-049-0 | Crisper Basket Assembly (Meat), 15.00 x 15.95 |
| 27 | 3-42-032-0 | Roller, .250 x .75D |
| 28 | 6-20-044-0 | Screw, #10 x 11/16 Type B Flat Head |
| 29 | 2-8073-13 | Side Breaker Strip, 57-1/8 |
| 30 | 4-18-062-3 | Right Side Crisper Slide Assembly |
| | 4-18-062-4 | Left Side Crisper Slide Assembly |
| 31 | 6-20-045-0 | Screw, #8 x 1 Type AB Flat Head |
| 32 | 3-42-032-0 | Roller, .250 x .75D |
| 33 | 6-11-033-0 | Screw, #10-32 x 1/2 Chrome Plated |
| 34 | 4-18-063-0 | Center Crisper Slide Assembly |
| 35 | 6-20-008-0 | Screw, #8-15 x 1/2 Truss Head |
| 36 | 6-20-037-0 | Screw, #8-18 x 2 Truss Head |
| 37 | 6-16-009-0 | Spacer, .20 x .38 x 1.44 |
| 38 | 3-55-016-0 | Hex Insert, #10-32 x 3/8 |
| 39 | 0-50012-0 | Cold Plate Cover |
| 40 | 6-12-020-0 | Cable Clip, .22 x .79 x .50 |
| 41 | 6-20-014-0 | Screw, #8-15 x 3/8 Truss Head |
| 42 | 2-2119-06 | Left Side Refrigerator Cantilever Shelf Ladder |
| 43 | 2-2119-05 | Right Side Refrigerator Cantilever Shelf Ladder |
| 44 | 6-20-014-0 | Screw, #8-15 x 3/8 Truss Head |
| 45 | 6-22-007-0 | Support, .44 x .63 x 1.53 |
| 46 | 6-22-019-0 | Support, .275 x .750 |
| 47 | 2-8073-15 | Top & Bottom Breaker Strip, 32-7/8 |
| 48 | 6-11-026-0 | Bolt, 1/4-20 x 1/2 Flat Head |
| 49 | 3-54-031-0 | Top Hinge, Right Hand |
| | 3-54-032-0 | Top Hinge, Left Hand |
| 50 | 3-42-007-0 | Hinge Bearing |
| 51 | 4-15-031-0 | Diffuser Glass Assembly, 5.25 x 31.563 |
| 52 | 3-45-016-0 | U-Clip |
| 53 | 3-42-015-0 | Plastic Egg Tray |
| 54 | 3-60-030-0 | Cantilever Shelf, 30" |
| 55 | 3-21-025-0 | Rear Crisper Seal |
| 56 | 2-2203-01 | Crisper Glass Front |

215 R COSMETIC VIEW

