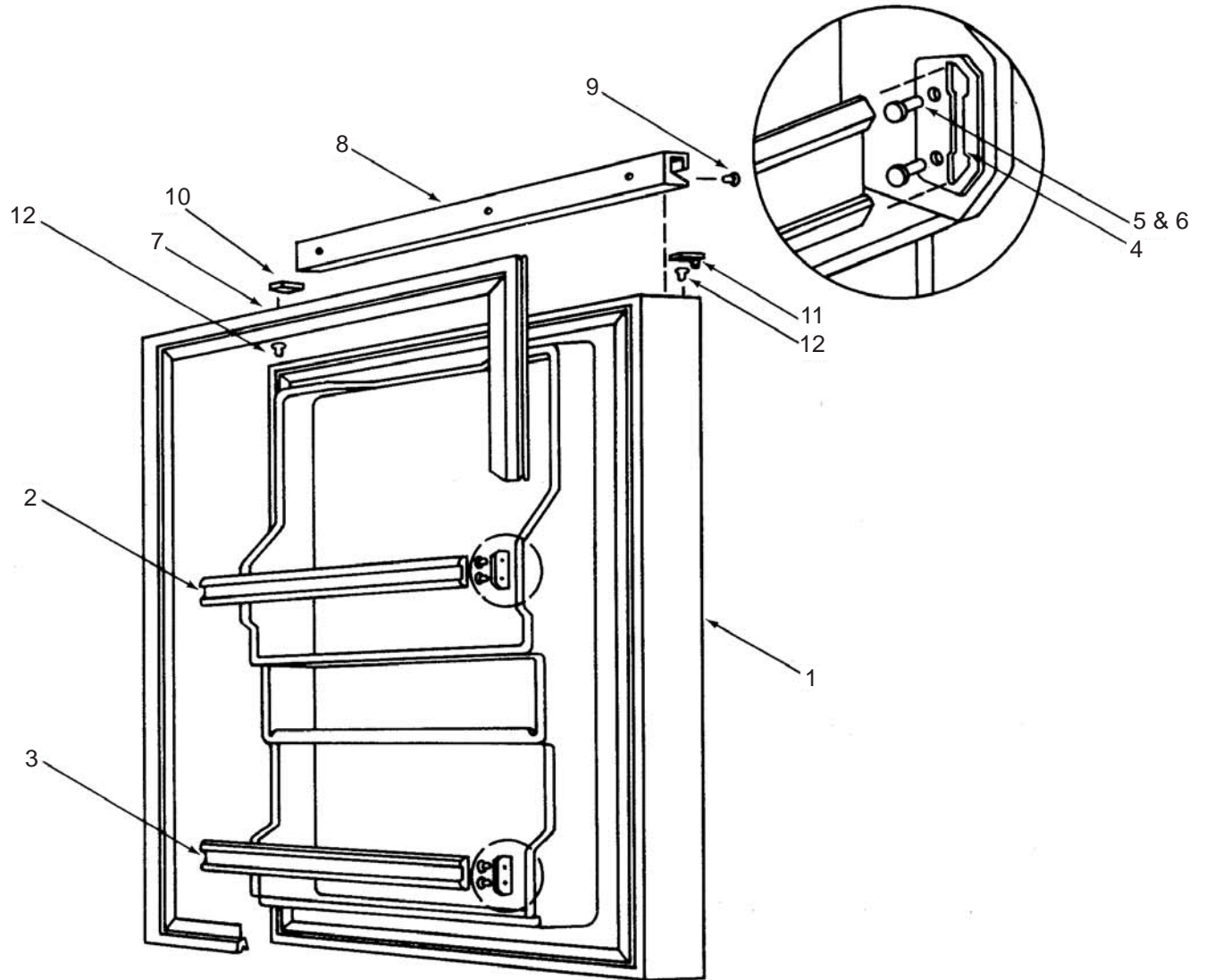


**245RFD DOOR PARTS LIST**

| <u>Ref #</u> | <u>Part #</u> | <u>Description</u> |
|--------------|---------------|-------------------------------------|
| 1. | 4130801 | Door Assembly, Right Hand |
| 2. | 4150870 | Upper Retainer Assembly |
| 3. | 4150880 | Lower Retainer Assembly |
| 4. | 3510630 | Retainer Cap |
| 5. | 6180020 | Pop Rivet, 1/8" x 1/2" Aluminum |
| 6. | 6150580 | Speed Clip, 1/8" (Retainer) |
| 7. | 3211300 | Door Gasket; Low Pull |
| 8. | 3510590 | Door Handle |
| 9. | 6200660 | Screw, #6-20 x 3/8" Flat Head Black |
| 10. | 3510660 | Hinge Bearing Cap |
| 11. | 3510670 | Outer Bearing Cap |
| 12. | 3421030 | Lower Door Bearing |



245RFD DOOR VIEW

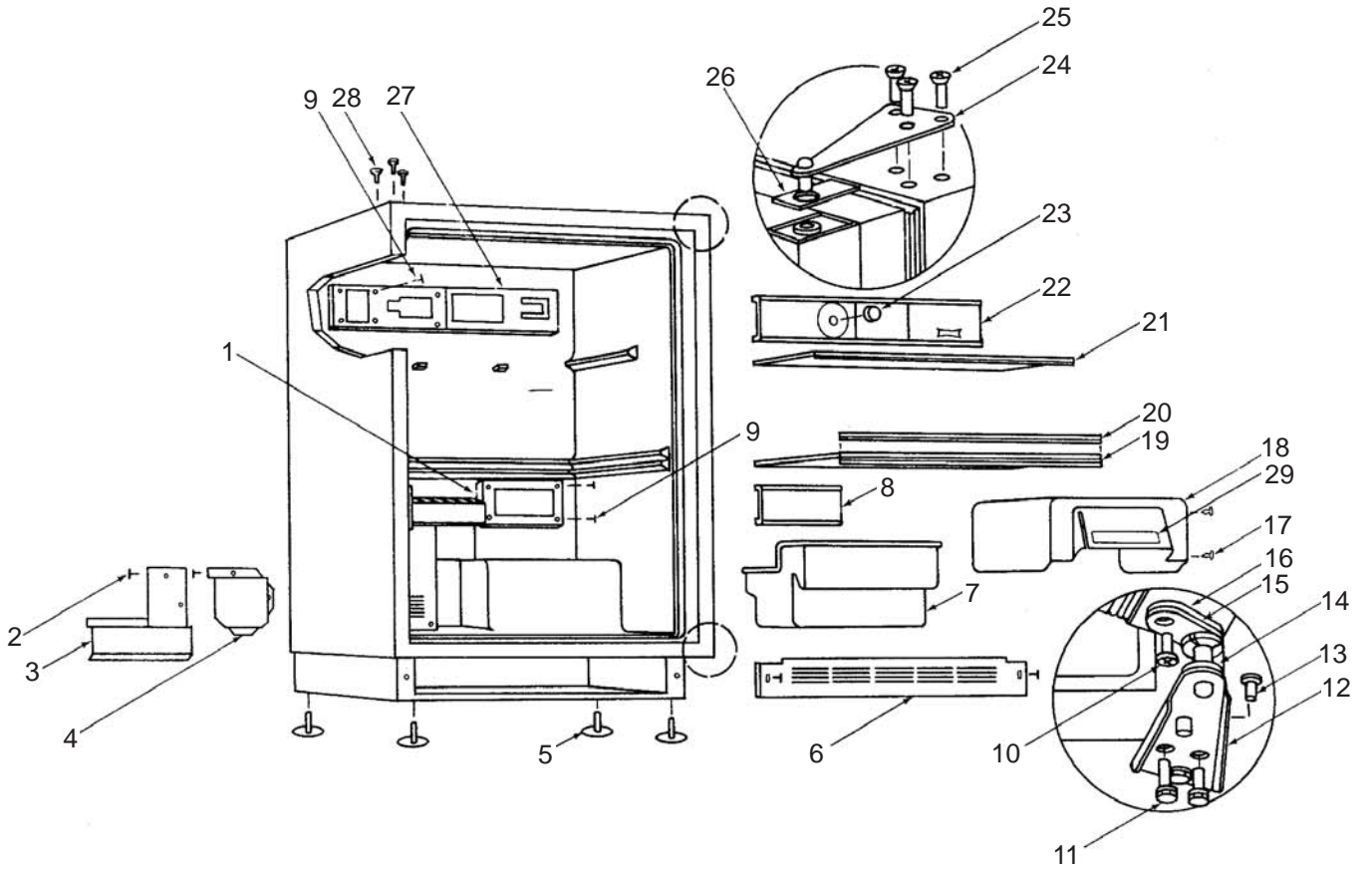


245RFD COSMETIC / MECHANICAL PARTS LIST

| <u>Ref #</u> | <u>Part #</u> | <u>Description</u> |
|--------------|---------------|--|
| 1. | 0930050 | Freezer Light Bracket |
| 2. | 6200060 | Screw, #8-32 x 1/2" Pan Head |
| 3. | 0861750 | Back Cover |
| 4. | 0861810 | Compressor Cover |
| 5. | 3570050 | Leveling Leg, #18-3/8 x 1" |
| 6. | 3560090 | Kickplate |
| 7. | 0165150 | Ice Bucket |
| 8. | 4151210 | Freezer Light Diffuser Assembly |
| 9. | 6200130 | Screw, #8-15 x 3/4" PH Truss Head S/S |
| 10. | 6200440 | Screw, #10 x 11/16" Type B Flat Head |
| 11. | 6200620 | Screw, #10-32 x 1/2" Hex Head |
| 12. | 4150950 | Lower Hinge Assembly |
| 13. | 6110490 | Screw, #10-24 x 1/2" Flat Head Chrome |
| 14. | 3420710 | Door Closer Cam, Down |
| 15. | 3420720 | Door Closer Cam, Up |
| 16. | 0861870 | Cam Support Plate |
| 17. | 6200080 | Screw, #8-15 x 1/2" Truss HD (See SN Breaks) |
| | 3550430 | Accordion Fastener/Hole Plug (See SN Breaks) |
| 18. | 0861840 | Ice Keeper Cover (See SN Breaks) |
| | 0862160 | Ice Keeper Cover (See SN Breaks) |
| 19. | 4330240 | Main Shelf Assembly |
| 20. | 3210670 | Shelf Gasket |
| 21. | 4150850 | Upper Shelf Assembly |
| 22. | 4150890 | Refrigerator Light Diffuser Assembly |
| 23. | 3012490 | Control Knob |
| 24. | 4150940 | Upper Hinge Assembly |
| 25. | 6110330 | Screw, #10-32 x 1/4" Chrome Plate |
| 26. | 3510660 | Hinge Bearing Cap |
| 27. | 0910270 | Control Bracket |
| 28. | 3550400 | Hinge Hole Plug (#7416) |
| 29. | 3751580 | Ice Keeper Cover Decal |



245RFD COSMETIC / MECHANICAL VIEW





245RFD SEALED SYSTEM PARTS LIST

| <u>Ref #</u> | <u>Part #</u> | <u>Description</u> | <u>Ref #</u> | <u>Part #</u> | <u>Description</u> |
|--------------|---------------|---|--------------|---------------|--|
| 1. | 3150210 | Fan Blade, 4" | 34. | 3220160 | Grommet, 3/16" x 7/16" x 9/32" |
| 2. | 6110320 | Bolt, #10-32 x 7/8" PH Truss Head | 35. | 6220290 | Standoff, #6-32 x 5/16" |
| 3. | 0211290 | Refrigerator Fan Bracket | 36. | 6201580 | Screw,#8-36 X 1/2 Nylon Patch |
| 4. | 6150330 | Wellnut, #10-32 | 37. | 3150030 | Fan Blade; 5 Prop, 6-3/4" |
| 5. | 4200160 | Freezer Fan Motor (Incl Brkts & Screws) | 38. | 6150410 | Nut, 1/4-20 |
| 6. | 6200130 | Screw, #8-15 x 3/4 PH Truss Head S/S | 39. | 3210340 | Neoprene Silencer, 7/8" |
| 7. | 0861840 | Ice Keeper Cover (See SN Breaks) | 40. | 4200740 | Condenser Fan Motor; 4 Pole, 1.5 Watt |
| | 0862160 | Ice Keeper Cover (See SN Breaks) | 41. | 3111000 | Terminal Cover |
| 8. | 6200120 | Screw, #10-12 x 1/2 Truss Head | 42. | 3111010 | Terminal Cover Strap |
| 9. | 3082060 | Defrost Terminator Assembly | 43. | 3150010 | Rubber Mount, 5/8" x 1-1/4" |
| 10. | 3013320 | Drain Tube Heater, 28.5" | 44. | 3450040 | Compressor Clip, 7/8" x 3/16" |
| 11. | 3130180 | Evaporator Coil (See SN Breaks) | 45. | NOTE: | See pages B & C at front of Price List |
| | 3130330 | Evaporator Coil (See SN Breaks) | 46. | NOTE: | See pages B & C at front of Price List |
| 12. | 3013480 | Defrost Heater Assembly | 47. | 3090010 | Compressor Base Valve (Incl Cap) |
| 13. | 4250920 | Heat Exchanger (See SN Breaks) | 48. | 3090010 | Compressor Base Valve (Incl Cap) |
| | 4251180 | Heat Exchanger (See SN Breaks) | 49. | 0861740 | Condenser Fan Shroud |
| | 4251370 | Heat Exchanger (See SN Breaks) | 50. | 0930060 | Freezer Control Mount |
| 14. | 3120211 | Condenser (See SN Breaks) | 51. | 6110050 | Bolt, #8-32 X 3/8" Truss Head |
| | 3120260 | Condenser (See SN Breaks) | 52. | 3030060 | Light Bulb, 25 Watt |
| | 3120300 | Condenser (See SN Breaks) | 53. | 4160430 | Light Base |
| 15. | 6200330 | Screw, #8-18 x 3/8" Pan Head | 54. | 3050010 | Light Socket, 3/4 Single (See SN Breaks) |
| 16. | 6200060 | Screw, #8-32 x 1/2" Pan Head | | 3050220 | Socket, Light Base Sngl (See SN Breaks) |
| 17. | 3081180 | Defrost Timer, 6 Hour | 55. | 6200080 | Screw, #8-15 x 1/2 Truss Head |
| 18. | 6200340 | Screw, #6-20 x 1/2" Pan Head | 56. | 2605402 | Water Inlet Tube Ext (See SN Breaks) |
| 19. | 3520050 | Brass Insert, Solenoid | | 2605412 | Water Inlet Tube Ext (See SN Breaks) |
| 20. | 4201440 | Solenoid Valve | 57. | 3450080 | Icemaker Tube Clip, 1/2" x 13/16" |
| 21. | 0861770 | Solenoid Bracket (See SN Breaks) | 58. | 2605402 | Water Inlet Tube |
| | 0862150 | Solenoid Bracket (See SN Breaks) | 59. | 6200180 | Screw, #7-16 x 3/4" Flat Head |
| 22. | 6200150 | Screw, #10 x 3/4" T23 Round Head | 60. | 2600617 | Plastic Water Tube, 53" |
| 23. | 6240020 | Star Washer, 3/16" | 61. | 4201760 | Icemaker Rplcmnt Assy (See SN Breaks) |
| 24. | 3520110 | Water Inlet Fitting Assy | | 4200520 | Modular Icemaker (See SN Breaks) |
| 25. | 3520110 | Water Inlet Fitting Assy | 62. | 3060130 | Switch, Icemaker Fan (See SN Breaks) |
| 26. | 3520110 | Water Inlet Fitting Assy | 63. | 3060140 | Switch, Light (See SN Breaks) |
| 27. | 3210030 | Solenoid Gasket | 64. | 0910280 | Reflector |
| 28. | 3520110 | Water Inlet Fitting Assy | 65. | 6200140 | Screw, #8-15 x 3/8" Truss Head |
| 29. | 3520030 | Icemaker Nylon Nut, 1/4" | 66. | 3012500 | Control, Refrigerator |
| 30. | 0861850 | Timer Shroud | 67. | 3014230 | Drier, 1/4" x .095 |
| 31. | 4201750 | Compressor (AZ1328D) (See SN Breaks) | 68. | 0165060 | Drain Pan |
| | 4201670 | Compressor, (EM30SC) (See SN Breaks) | 69. | 3011120 | Accumulator, 1" x 4-1/2" |
| | 4201880 | Comp. (EMI30HER) (See SN Breaks) | 70. | 1601400 | Drain Tube, 1/2" x 6' |
| 32. | 2801602 | Condenser Fan Bracket, 2-1/4" | 71. | 3025560 | Cord Assy, Power Supply |
| 33. | 6200610 | Screw, #6-32X3/8" PH Round Head, Zinc | 72. | 3012470 | Control, Fre (See SN Breaks) |
| | | | | 3012780 | Freezer Control (See SN Breaks) |

245RFD SEALED SYSTEM VIEW

