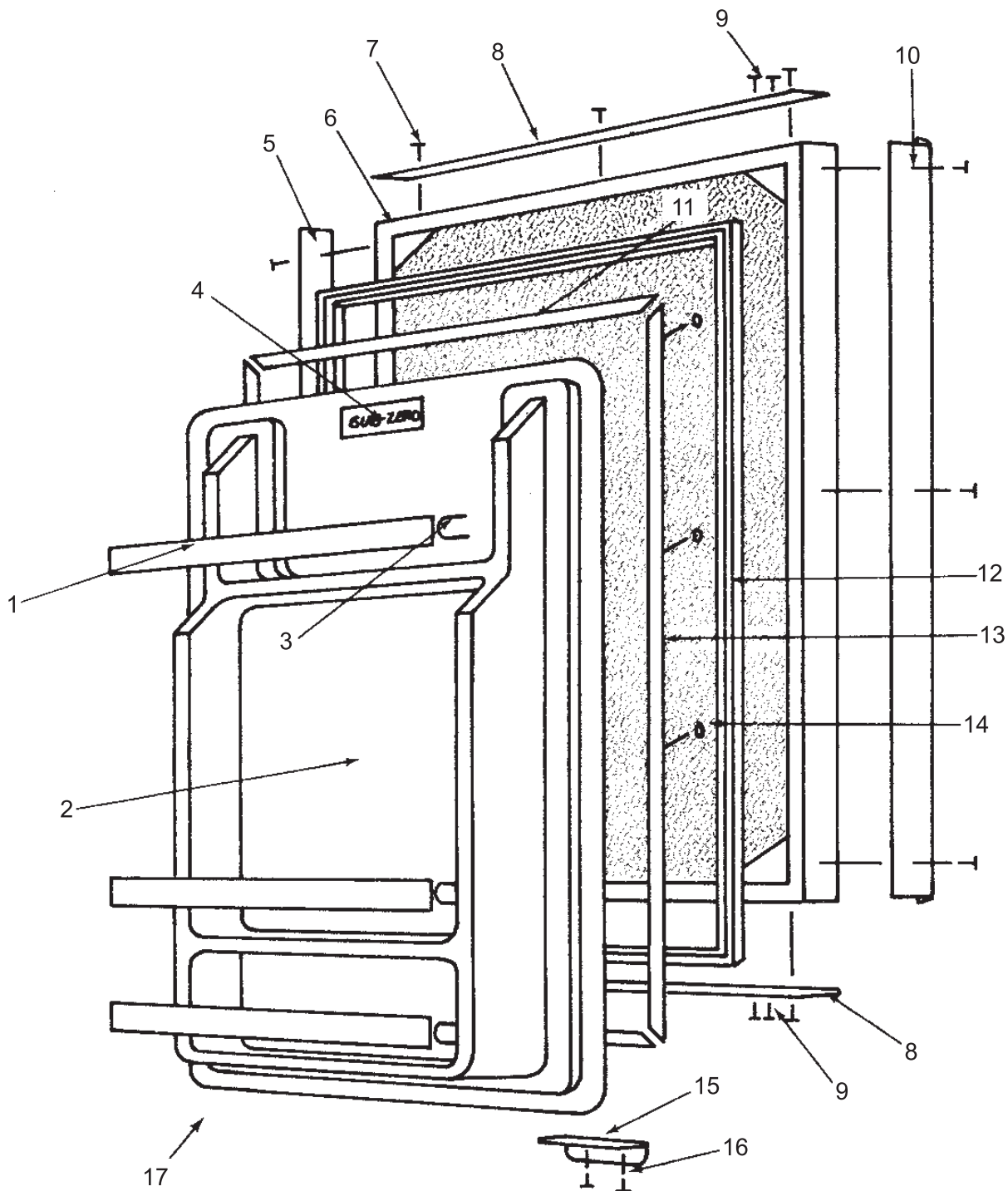


249R DOOR PARTS LIST

<u>Ref #</u>	<u>Part #</u>	<u>Description</u>
1.	3510090	Shelf Guard (See SN Breaks)
	3515980	Shelf Guard (See SN Breaks)
2.	4131941	Door Assy, RH Ref 249R/RP (Liner not sold separately)
	4131942	Door Assy, LH Ref 249R/RP (Liner not sold separately)
3.	4200360	Shelf Bar "Clip" (See SN Breaks)
	3450390	Shelf Bar "U" Clip (See SN Breaks)
4.	3580010	Nameplate, 1-1/4" x 3-7/8"
5.	2229802	Trim, Door Side
6.	4131941	Door Assy, RH Ref 249R/RP (Shell not sold separately)
	4131942	Door Assy, LH Ref 249R/RP (Shell not sold separately)
7.	6200040	Screw, #4-24 x 1/2" Truss Head
8.	2229801	Trim, Door T/B
9.	6110020	Bolt, #10-24 x 3/8" Truss Head
10.	2218901	Door Handle
11.	3420180	Top and Bottom Gasket Retainer, 22.125"
12.	3210180	Gasket, Door 23-5/16X29-11/16
13.	3420210	Side Gasket Retainer, 29.188"
14.	6200410	Screw, #8 x 1/2" Slot Head Hex
15.	0180280	Switch Depressor, Black
16.	6200230	Screw, #8-18 x 1/2" Hex Head
17.	4131941	Door Assy, RH Ref 249R/RP
	4131942	Door Assy, LH Ref 249R/RP



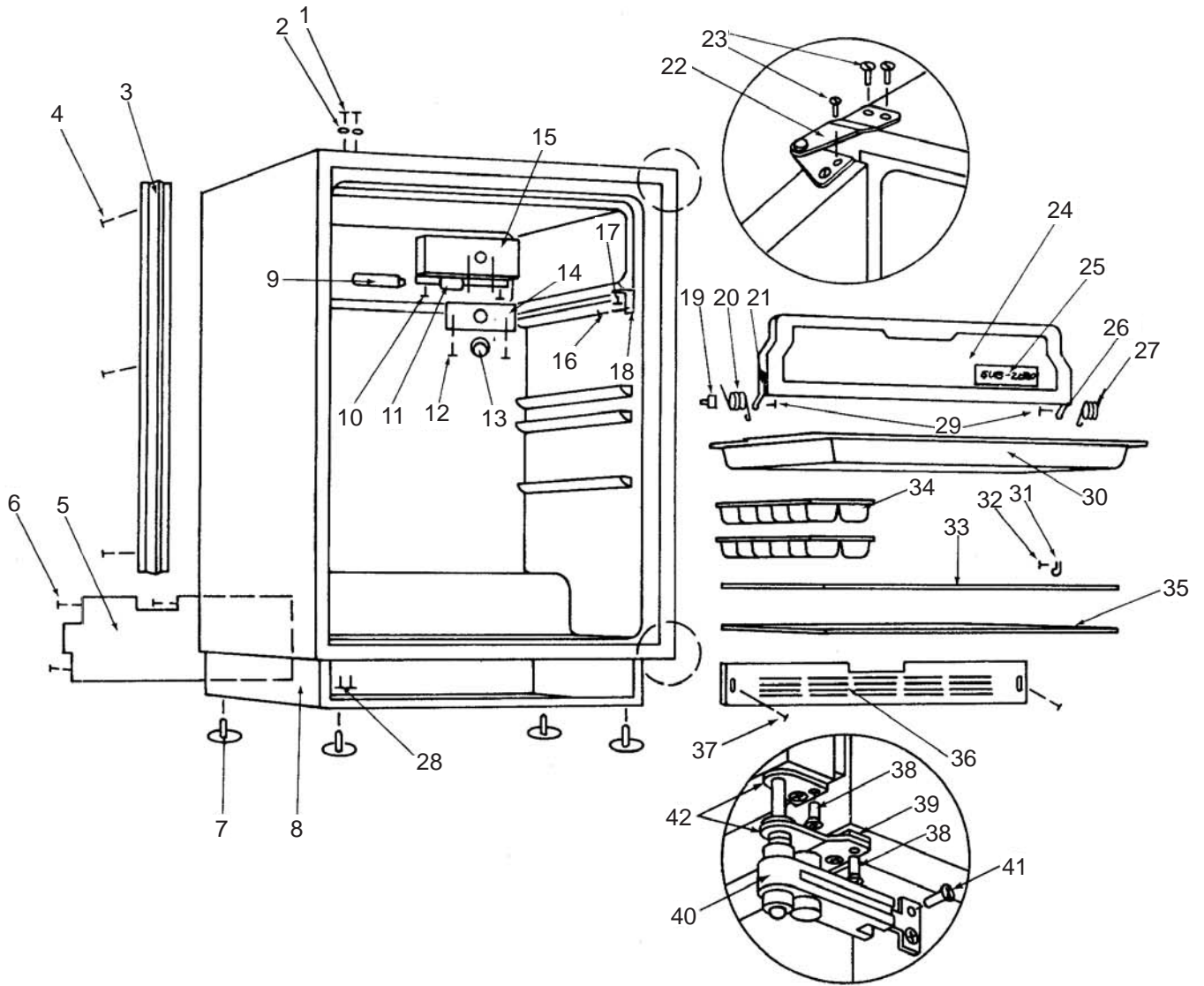
249R DOOR VIEW



249R COSMETIC / MECHANICAL PARTS LIST

<u>Ref #</u>	<u>Part #</u>	<u>Description</u>
1.	6110010	Bolt, #10-24 x 1/2" Flat Head
2.	6240010	Finish Washer, #10 Stainless Steel
3.	0860850	Wire Cover
4.	6110020	Bolt, #10-24 x 3/8" Truss Head
5.	0861210	Back Shroud
6.	6200230	Screw, #8-18 x 1/2" Hex Head
7.	3570050	Leveling Leg, #18-3/8 x 1"
8.	4110300	Base Assembly
9.	3030010	Light Bulb; 25 Watt, 7/8" x 5-1/2"
10.	6200120	Screw, #10-12 x 1/2" Truss Head
11.	3050010	Light Socket, 3/4 Single (See SN Breaks)
	3050220	Socket, Light Base Sngl (See SN Breaks)
12.	6110050	Bolt, #8-32 x 3/8" Truss Head
13.	3012410	Control Knob
14.	3012020	Faceplate, 2-3/16" x 3"
15.	0860820	Cover, Encl Ctrl & Light (See SN Breaks)
	0212900	Bracket, Control/Light (See SN Breaks)
16.	6110030	Bolt, #10-24 x 1/2" Round Head
17.	6110030	Bolt, #10-24 x 1/2" Round Head
18.	0910060	Bracket, Evap Mtg
19.	6220110	Screw Grommet 1/2" x 9/16"
20.	3450010	Left Inner Door Spring, 1/2" x 3/4" x 2-7/8"
21.	3540750	Inner Door Hinge
22.	3540010	Door Hinge, Upper Right
	3540020	Door Hinge, Upper Left
23.	6110010	Bolt, #10-24 x 1/2" Flat Head
24.	6110020	Bolt, #10-24 x 3/8" Truss Head
25.	4330010	Inner Door Assembly
26.	3580010	Nameplate, 1-1/4" x 3-7/8"
27.	3540750	Inner Door Hinge
28.	3450020	Right Inner Door Spring, 1/2" x 3/4" x 2-7/8"
29.	6200280	Screw, #8-18 x 1" Pan Head
30.	4190010	Drain Pan Assembly
31.	6120030	Plastic Tube Clamp, 1/4"
32.	6200140	Screw, #8-15 x 3/8" Truss Head
33.	3600040	Wire Shelf, 14-1/2" x 20-1/2"
34.	3140020	Ice Cube Tray; Metal
35.	3600040	Wire Shelf, 14-1/2" x 20-1/2"
36.	3560080	Kickplate
37.	6200080	Screw, #8-15 x 1/2" Truss Head
38.	6110010	Bolt, #10-24 x 1/2" Flat Head
39.	0861690	Shim, Bot Door Hinge
40.	3540810	Closer, Door 150Lb
41.	6200050	Screw, #10-12 x 1/2" Pan Head
42.	3540020	Door Hinge, Lower Right (See SN Breaks)
	3540790	Bottom Door Hinge, RH (See SN Breaks)
	3540010	Door Hinge, Lower Left (See SN Breaks)
	3540800	Bottom Door Hinge, LH (See SN Breaks)

249R COSMETIC / MECHANICAL PARTS VIEW



Starting with Serial No. 356747

249R SEALED SYSTEM PARTS LIST

<u>Ref #</u>	<u>Part #</u>	<u>Description</u>
1.	6200140	Screw, #8-15 x 3/8" truss Head
2.	NOTE:	See pages B & C at front of Price List
3.	NOTE:	See pages B & C at front of Price List
4.	6110340	Bolt, #6-32-1/4" Slot Head
5.	NA	
6.	3110620	Terminal Cover
7.	3450040	Compressor Clip, 7/8" x 3/16"
8.	3150010	Rubber Mount, 5/8" x 1-1/4"
9.	3014230	Drier, 1/4" x .083"
10.	4201670	Compressor, (EM30SC) (See SN Breaks)
	4201880	Compressor (EMI30HER) (See SN Breaks)
11.	4211200	Heat Exchanger Assembly
12.	6200020	Screw, #7-16 x 1/2" Pan Head
13.	6120010	Tube Clamp; Steel w/Run, 5/16"
14.	6200020	Screw, #7-16 x 1/2" Pan Head
15.	3060030	Door Switch, Normally Closed (Light)
16.	0861340	Bracket, Single Switch
17.	3120010	Condenser (See SN Breaks)
	3120260	Condenser (See SN Breaks)
	3120300	Condenser (See SN Breaks)
18.	6200490	Screw, #8-32 x 3/8" Type 25 Slotted Hex
19.	3220160	Grommet, 3/16" X 7/16" x 9/32"
20.	2801602	Condenser Fan Bracket, 2-1/4
21.	6200430	Screw, #8-18 x 1/2"
22.	4200740	Condenser Fan Motor; 1.5 Watt, 4 Pole
23.	3210340	Neoprene Silencer, 7/8"
24.	3150030	Fan Blade; 5 Prop, 6-3/4"
25.	6150410	Nut 1/4-20
26.	6120070	Plastic Tube Clamp, 3/8"
27.	6200080	Screw, #8-15 x 1/2" truss Head
28.	3090010	Compressor Base Valve (Incl Cap)
29.	3090010	Compressor Base Valve (Incl Cap)
30.	3012010	Control
31.	3022310	Black Power Cord
32.	3520120	Brass Insert, 3/16" x 9/32"
33.	4211200	Evaporator/Heat Exchanger Assembly



249R SEALED SYSTEM VIEW

