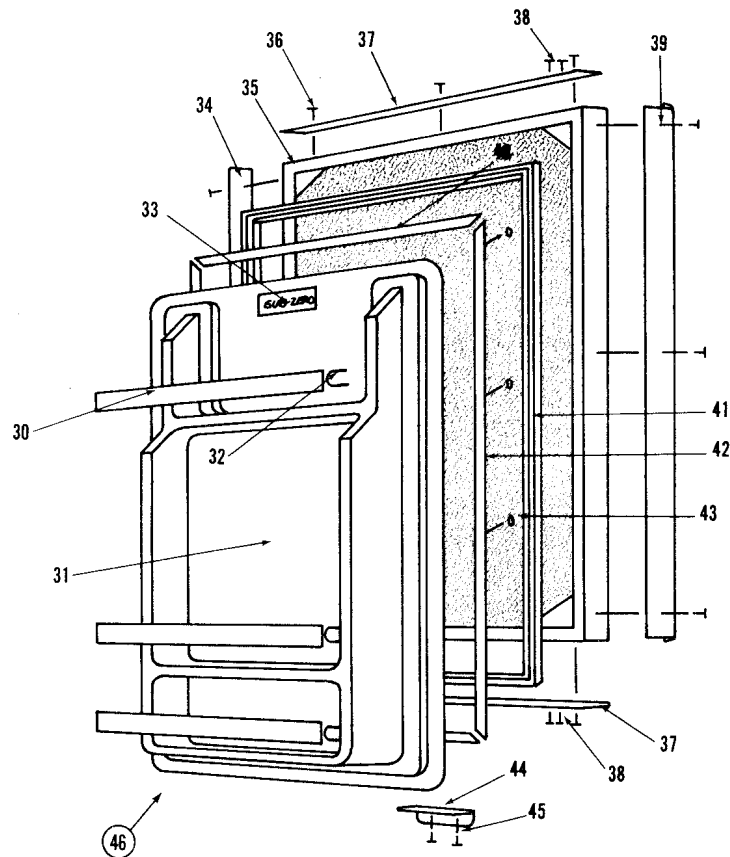


## 249 RP DOORS

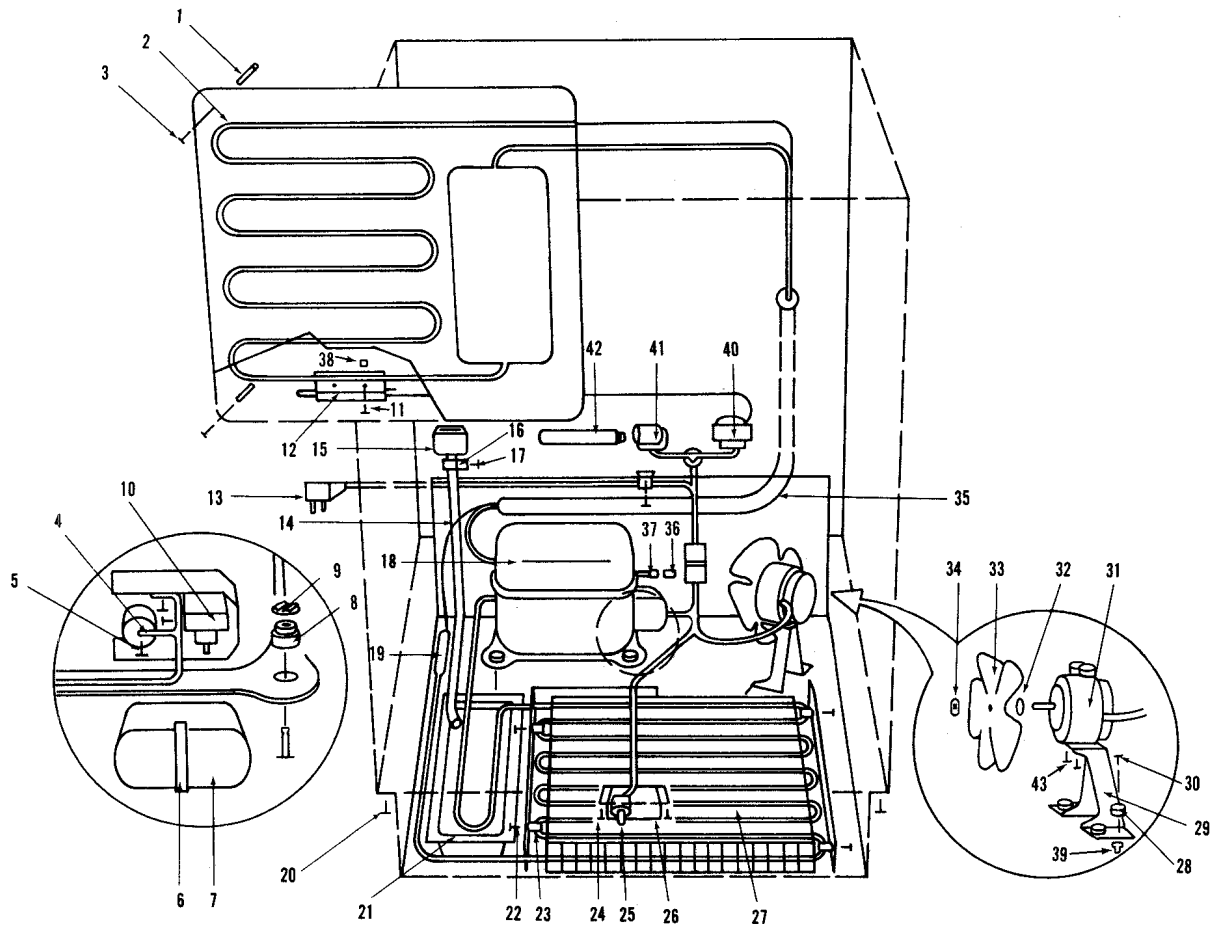


<u>Item #</u>	<u>Part #</u>	<u>Description</u>
30	2-8075-01	Door Shelf Guard, 1.25 x 16.25
31	0-88027-0	Door Liner
32	3-45-039-0	U-Clip
33	3-58-001-0	Nameplate, 1-1/4 x 3-7/8 (NOTE: On Inner Door-249R)
34	2-2188-02	Side Door Trim, 1.57 x 30-3/16
35	0-87014-0	Door Shell
36	6-20-004-0	Screw, #4-24 x 1/2 Truss Head
37	2-2188-01	Top & Bottom Door Trim, 1.57 x 23-13/16
38	6-11-002-0	Bolt, #10-24 x 3/8 Truss Head
39	2-2189-01	Door Handle, 2.195 x 30-3/16
40	3-42-018-0	Top & Bottom Gasket Retainer, 22.125
41	3-21-018-0	Door Gasket, 23.313 x 29.688
42	3-42-021-0	Side Gasket Retainer, 29.188
43	6-20-041-0	Screw, #8 x 1/2 Slot Head Hex
44	0-18028-0	Switch Depressor, Black
45	6-20-023-0	Screw, #8-18 x 1/2 Hex Head
46	4-13-061-1	Complete Door Assembly, Right Hand
	4-13-061-2	Complete Door Assembly, Left Hand

## 249 RP SYSTEM VIEW

<u>Item #</u>	<u>Part #</u>	<u>Description</u>
1	6-16-005-0	Spacer, 7/32 x 3/8 x 1-1/8
2	4-21-002-0	Evaporator Assembly
3	6-20-017-0	Screw, #10-16 x 1-1/2 Pan Head
4	3-11-076-0	Overload (MRP59AMK-34)
5	6-11-034-0	Screw, Slot Head
6	3-11-063-0	Terminal Cover Strap
7	3-11-062-0	Terminal Cover
8	3-15-001-0	Rubber Mount, 5/8 x 1-1/4
9	3-45-004-0	Compressor Clip, 7/8 x 3/16
10	3-11-075-0	Start Relay (9660-040-129K3V)
11	6-11-003-0	Bolt, #10-24 x 1/2 Round Head
12	0-21044-0	Refrigerator Control Bulb Clamp
13	3-02-231-0	Black Power Cord
14	1-6014-00	Drain Tube, 5/8" x 6'
15	3-49-003-0	Drip Cup, 4-3/8
16	6-12-005-0	Plastic Tube Clamp, 5/8
17	6-20-002-0	Screw, #7-16 x 1/2 Pan Head
18	3-11-074-0	Compressor (AE1332D)
19	3-01-405-0	Drier, 1/4 x .083
20	6-20-001-0	Screw, #10-12 x 3/4 Pan Head
21	0-16315-0	Drain Pan
22	6-20-002-0	Screw, #7-16 x 1/2 Pan Head
23	6-12-001-0	Tube Clamp; Steel w/Rub, 5/16
24	6-20-002-0	Screw, #7-16 x 1/2 Pan Head
25	3-06-003-0	Door Switch, Normally Closed (Light)
26	0-86134-0	Single Switch Bracket
27	3-12-001-0	Condenser, 1 x 9-7/8 x 12
28	3-22-016-0	Grommet, 3/16 x 7/16 x 9/32
29	2-8016-02	Condenser Fan Bracket, 2-1/4
30	6-20-043-0	Screw, #8-18 x 1/2
31	3-15-028-0	Condenser Fan Motor; 1.5 Watt, 4 Pole
32	3-21-034-0	Neoprene Silencer, 7/8"
33	3-15-003-0	Fan Blade; 5 Prop, 6-3/4"
34	6-15-041-0	Nut, 1/4-20
35	4-25-002-0	Heat Exchanger Assembly
36	3-09-008-0	Valve Cap
37	3-09-001-0	Base Valve
38	6-15-003-0	Nut, #10-24 Hex Stainless Steel
39	3-52-012-0	Brass Insert, 3/16 x 9/32
40	3-01-207-0	Control
41	3-05-001-0	Light Socket, 3/4 Single
42	3-03-001-0	Light Bulb; 25 Watt, 7/8 x 5-1/2
43	6-20-049-0	Screw, #8-32 x 3/8 Type 25 Slotted Hex

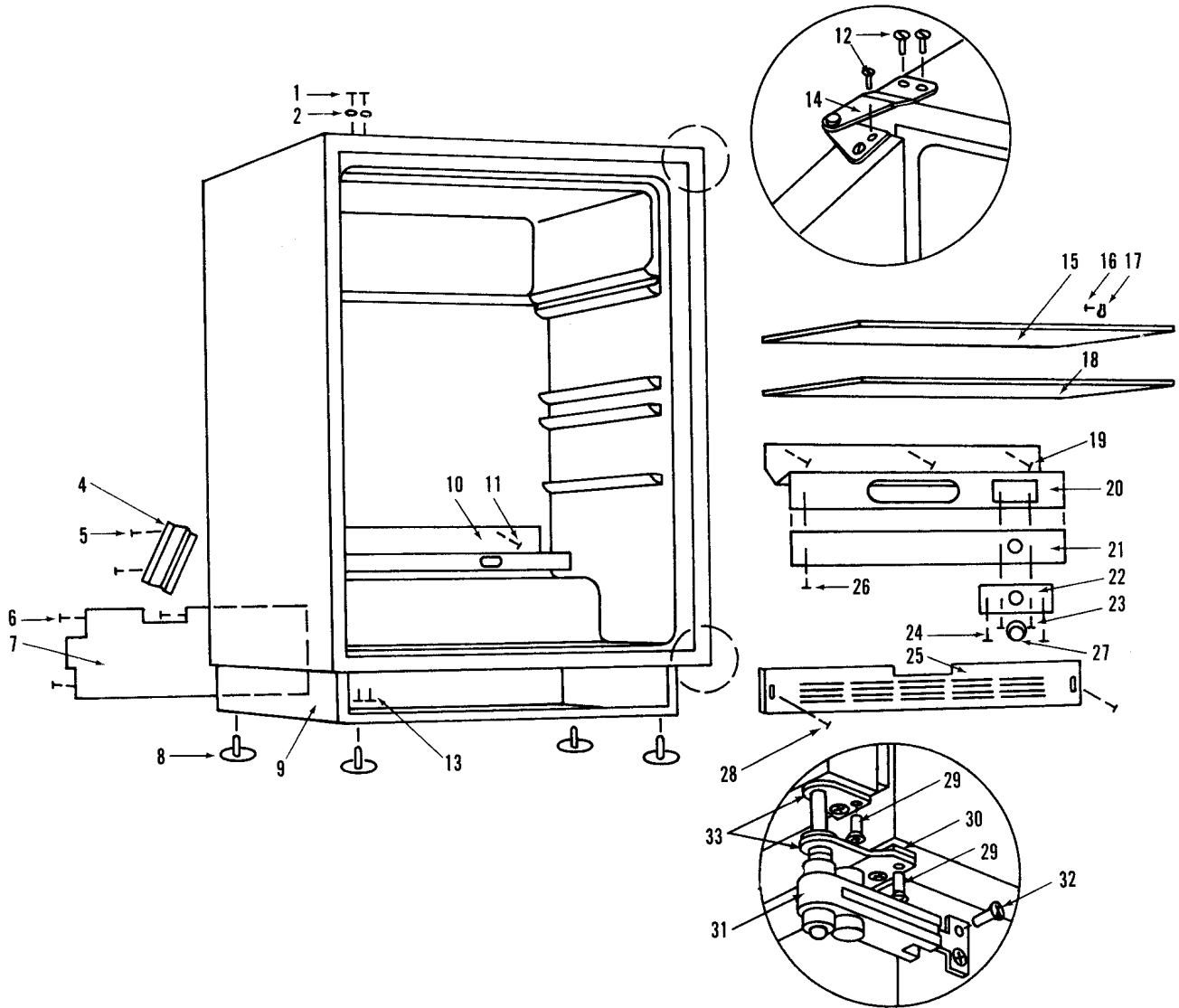
# 249 RP SYSTEM VIEW



## 249 RP COSMETIC VIEW

<u>Item #</u>	<u>Part #</u>	<u>Description</u>
1	6-11-001-0	Bolt, #10-24 x 1/2 Flat Head
2	6-24-001-0	Finish Washer, #10 Stainless Steel
4	0-86088-0	Wire Cover
5	6-20-002-0	Screw, #7-16 x 1/2 Pan Head
6	6-20-023-0	Screw, #8-18 x 1/2 Hex Head
7	0-86122-0	Back Shroud
8	3-57-001-0	Leveling Leg, 1/4-20 x 1/2
9	4-11-012-0	Base Assembly
10	0-86078-0	Light Bracket
11	6-20-008-0	Screw, #8-15 x 1/2 Truss Head
12	6-11-001-0	Bolt, #10-24 x 1/2 Flat Head
13	6-11-002-0	Bolt, #10-24 x 3/8 Truss Head
14	3-54-002-0	Door Hinge, Upper Left or Lower Right
	3-54-001-0	Door Hinge, Upper Right or Lower Left
15	3-60-001-0	Wire Shelf, 20-1/4 x 13-1/2
16	6-20-008-0	Screw, #8-15 x 1/2 Truss Head
17	6-12-003-0	Plastic Tube Clamp, 1/4
18	3-60-001-0	Wire Shelf, 20-1/4 x 13-1/2
19	6-20-008-0	Screw, #8-15 x 1/2 Truss Head
20	0-91011-0	Drip Trough
21	2-8014-01	Drip Diffuser, 2.75 x 18.25
22	3-01-209-0	Faceplate, 1-7/8 x 4-5/16
23	6-11-005-0	Screw, #8-32 x 3/8 Truss Head
24	6-20-014-0	Screw, #8-15 x 3/8 Truss Head
25	0-86034-0	Kickplate, 23-7/8
26	6-20-014-0	Screw, #8-15 x 3/8 Truss Head
27	3-01-241-0	Control Knob
28	6-20-008-0	Screw, #8-15 x 1/2 Truss Head
29	6-11-001-0	Bolt, #10-24 x 1/2 Flat Head
30	0-86169-0	Shim
31	3-54-081-0	Door Closer
32	6-20-005-0	Screw, #10-12 x 1/2
33	3-54-079-0	Bottom Door Hinge, Right Hand
	3-54-080-0	Bottom Door Hinge, Left Hand

# 249 RP COSMETIC VIEW



Starting with Serial No. 356747