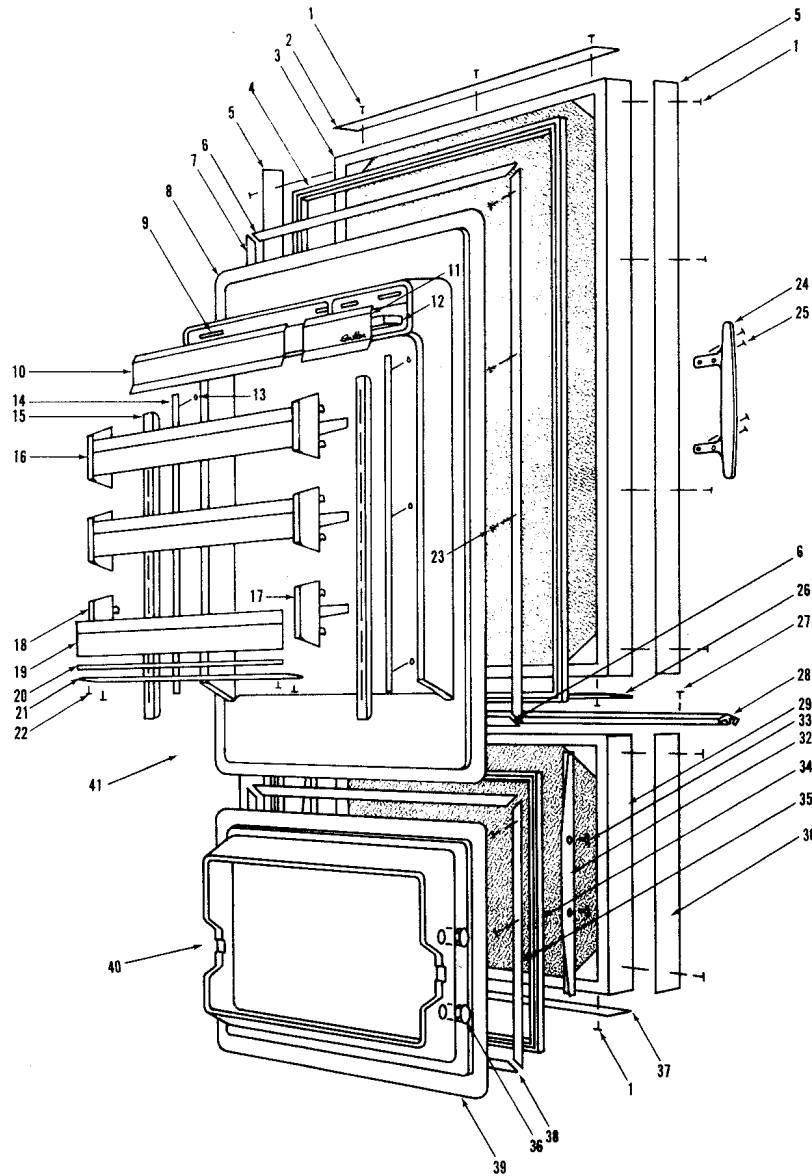


2811 DOORS

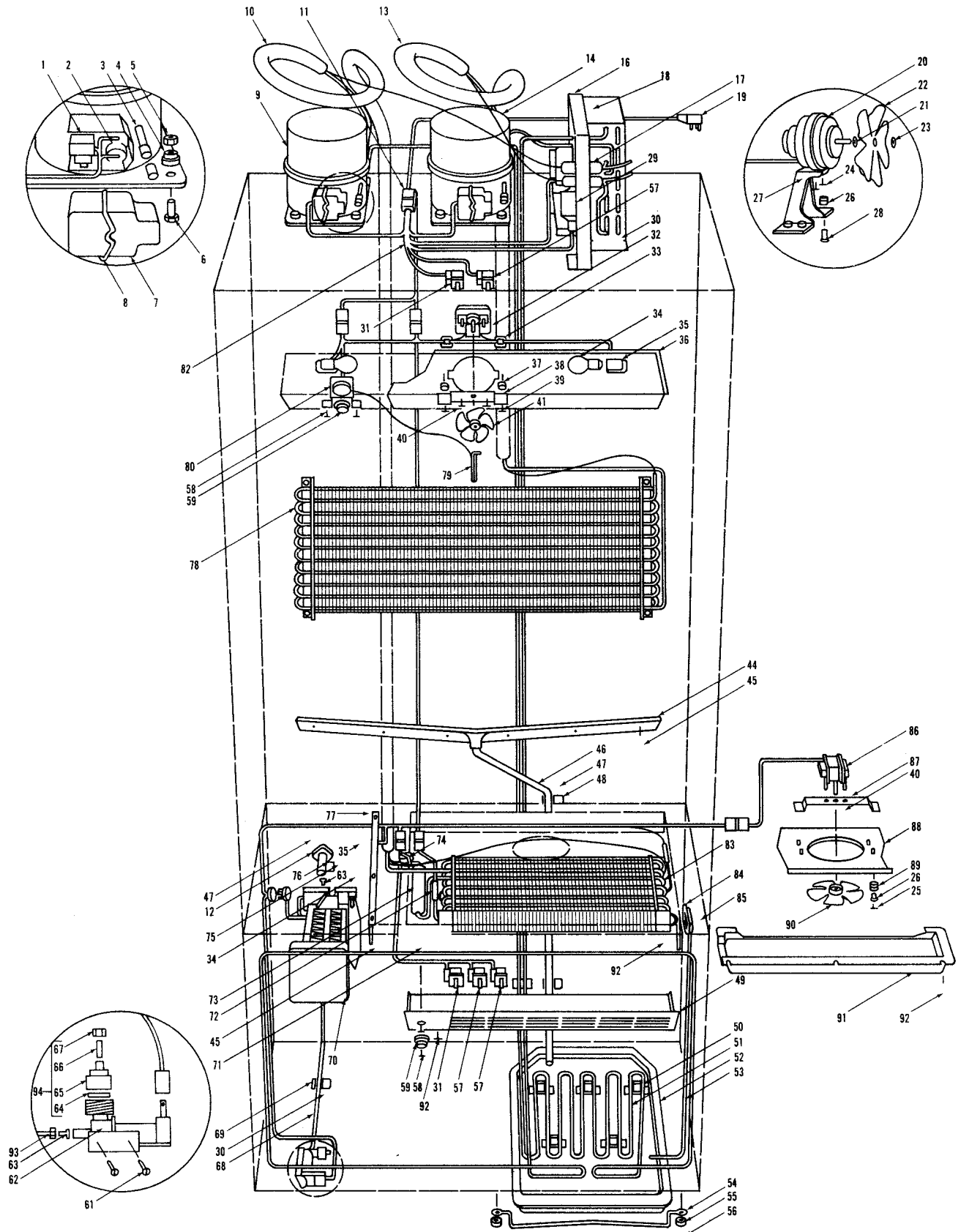


Item #	Part #	Description	Item #	Part #	Description
1	6-20-004-0	Screw, #4-24 x 1/2 Truss Head	22	6-20-039-0	Screw, #6 x 3/8 PH T25 Flat Head
2	2-2182-01	Top Right or Bottom Left Door Trim, 2 x 34-5/16	23	6-20-041-0	Screw, #8-18 x 1/2 Slot Head Hex
3	2-2182-02	Top Left or Bottom Right Door Trim, 2 x 34-5/16	24	3-51-001-0	Door Handle, 13-1/2
4	0-17064-0	Refrigerator Door Shell	25	6-11-001-0	Bolt, #10-24 x 1/2 Flat Head UC
5	3-21-010-0	Door Gasket, 33-13/16 x 48-1/8	26	2-2111-02	Top Left or Bottom Right Door Trim, 2 x 34-5/16
6	2-2182-21	Refrigerator Side Door Trim	27	2-2111-01	Top Right or Bottom Left Door Trim, 2 x 34-5/16
7	3-42-022-0	Gasket Retainer, 33-5/16	28	6-11-001-0	Bolt, #10-24 x 1/2 Flat Head UC
8	3-42-024-0	Gasket Retainer, 47-7/16	29	3-51-552-0	Door Handle, 5/8 x 3 x 34-5/16
9	0-18254-0	Refrigerator Door Liner	30	0-17063-0	Freezer Door Shell
10	3-42-005-0	Butter Door Rod, 3/16 x 2	31	2-2182-19	Freezer Side Door Trim, Right Hand
11	3-48-035-0	Dairy Door, 4.875 x 20.25	32	2-2182-20	Freezer Side Door Trim, Left Hand
12	3-48-036-0	Butter Door, 4.875 x 7.6	33	0-18253-0	Door Support Rail
13	3-44-001-0	Butter Dish, 3-1/8 x 6-1/8	34	6-11-045-0	Bolt, 1/4-20 x 1/2 Whiz Lock
14	6-15-032-0	Nut, #8-32 Pa1	35	3-21-069-0	Freezer Door Gasket
15	4-15-023-0	Ladder Holder Assembly, 26-1/2	36	3-42-015-0	Gasket Retainer, 17-5/16
16	2-2145-17	Door Shelf Ladder	37	3-55-023-0	White Plastic Plug, 3/4
17	4-33-011-0	Door Shelf Assembly, 29-1/8	38	2-2182-15	Freezer Bottom Door Trim
18	3-60-022-1	Door Shelf End Cap, Right Hand	39	3-42-022-0	Gasket Retainer, 33-5/16
19	3-60-022-2	Door Shelf End Cap, Left Hand	40	0-18255-0	Freezer Door Liner
20	3-51-011-0	Door Shelf Guard, 28-3/8	41	4-13-082-0	Freezer Door Assembly
21	1-2163-00	Door Shelf Support, 25-7/8		4-13-083-1	Refrigerator Door Assembly, Right Hand
	2-8061-01	Door Shelf Tray, 26-13/16		4-13-083-2	Refrigerator Door Assembly, Left Hand

2811 SYSTEM VIEW

Item #	Part #	Description	Item #	Part #	Description
1	3-11-078-0	Start Relay, Refrigerator	49	0-23227-0	Freezer Evaporator Cover
	3-11-081-0	Start Relay, Freezer	50	6-22-021-0	Stand-Off Heater Clip
2	3-11-079-0	Overload, Refrigerator	51	2-6041-01	Condensate Heater Loop
	3-11-082-0	Overload, Freezer	52	0-16494-0	Drain Pan, 1.3 x 13.5 x 19.5
3	3-09-001-0	Base Valve, 1/2 x 3/8	53	2-6004-11	Freezer Drain Tube
4	3-15-001-0	Rubber Mount, 5/8 x 1-1/4	54	3-42-076-0	Drain Pan Holder
5	6-15-022-0	Nut, 5/16-18 Hex Zinc	55	3-42-067-0	Screw Spacer
6	6-16-003-0	Spacer, 5/16 x 7/16 x 5/8	56	6-20-044-0	Screw, #10 x 11/16 Type B Flat Head
7	3-11-090-0	Terminal Cover	57	3-06-013-0	Fan Switch
8	3-11-091-0	Terminal Cover Strap	58	6-11-005-0	Bolt, #8-32 x 3/8 Truss Head
9	3-11-080-0	Freezer Compressor (FN66-F11R)	59	3-01-232-0	Control Knob
10	4-25-091-0	Freezer Heat Exchanger Assembly	61	6-20-006-0	Screw, #8-32 x 1/2 Pan Head
11	4-32-191-0	Cabinet Wiring Harness	62	3-09-002-0	Solenoid Valve
12	1-6008-00	Water Inlet Tube, 6"	63	3-52-005-0	Brass Insert, Solenoid
13	4-25-085-0	Refrigerator Heat Exchanger Assembly	64	3-21-003-0	Water Valve Gasket
14	3-11-077-0	Refrigerator Compressor (FN43-F67R)	65	3-52-021-0	Water Valve Fitting
16	4-28-041-0	Fan Shroud Assembly	66	3-52-022-0	Ball Sleeve
17	3-01-405-0	Drier, 1/4 x .095	67	3-52-023-0	Compression Nut
18	3-12-015-0	Dual Condenser	68	2-6006-03	Plastic Water Tube, 41"
19	4-32-182-0	Power Supply Cord Assembly	69	6-12-003-0	Tube Clamp, Plastic, 1/4
20	3-15-028-0	Condenser Fan Motor; 1.5 Watt, 4 Pole	70	4-20-031-0	Icemaker (8 Cavity)
21	3-21-034-0	Neoprene Silencer	71	3-01-245-0	Freezer Control
22	3-15-032-0	Fan Blade; 5 Prop, 7"	72	4-32-176-0	Defrost Heater Assembly
23	6-15-041-0	Nut, 1/4 x 20	73	3-01-101-0	Accumulator
24	6-20-049-0	Screw, #8-32 x 3/8 T25 Hex Slotted	74	4-32-093-0	Defrost Terminator Assembly
25	6-20-043-0	Screw, #8-18 x 1/2 Phillips Type B Pan Head	75	6-20-033-0	Screw, #8-18 x 3/8 Pan Head
26	3-22-016-0	Grommet, 3/16 x 7/16 x 9/32	76	6-12-012-0	Tube Clamp, 3/8 Steel w/Nut
27	1-8017-00	Fan Bracket, 3-1/2	77	0-23229-0	Freezer Evaporator Side
28	3-52-012-0	Brass Insert, 3/16 x 9/32	78	4-21-075-0	Refrigerator Evaporator Assembly
29	3-08-105-0	Defrost Timer		3-13-013-0	Refrigerator Evaporator, 1/5 x 10 x 29.6
30	6-20-001-0	Screw, #10-12 x 3/4 Pan Head	79	0-21137-0	Control Shim
31	3-06-014-0	Light Switch	80	3-01-246-0	Refrigerator Control
32	4-20-017-0	Refrigerator Fan Motor, 23 Watt	82	4-32-172-0	Unit Wiring Harness
33	6-12-016-0	Cord Clip; Plastic, 5/16 x 1/2	83	4-21-085-0	Freezer Evaporator Assembly
34	3-03-003-0	Light Bulb, 40 Watt		3-13-012-0	Freezer Evaporator, 3 x 7 x 21-1/2
35	3-05-003-0	Light Socket	84	3-49-007-0	Drain Cup
36	0-21099-0	Refrigerator Fan Shroud	85	6-20-008-0	Screw, #8-15 x 1/2 Truss Head
37	6-15-033-0	Wellnut, #10-32	86	4-20-016-0	Freezer Fan Motor, 23 Watt
38	0-21129-0	Refrigerator Fan Bracket	87	0-23228-0	Freezer Evaporator Fan Bracket
39	6-11-032-0	Bolt, #10-32 x 7/8 PH Truss Head	88	0-23226-0	Freezer Evaporator Fan Shroud
40	6-11-027-0	Bolt, #10-32 x 1/4 Round Head	89	3-22-025-0	Grommet, .203 x .312 x .234
41	3-15-021-0	Fan Blade, 4"	90	3-15-037-0	Fan Blade; Plastic, 5-9/16
44	4-19-005-0	Drain Trough Assembly, 1-3/4 x 30	91	0-23256-0	Freezer Air Duct
45	6-20-014-0	Screw, #8-15 x 3/8 Truss Head	92	6-20-012-0	Screw, #10-12 x 1/2 Truss Head
46	1-6014-00	Refrigerator Drain Tube, 1/2 x 72	93	3-52-003-0	Icemaker Nylon Nut, 1/4
47	6-20-023-0	Screw, #8-18 x 1/2 Hex Head	94	3-52-011-0	Water Inlet Fitting Assembly
48	6-12-005-0	Tube Clamp; Plastic, 5/8			

2811 SYSTEM VIEW



2811 COSMETIC VIEW

Item #	Part #	Description	Item #	Part #	Description
1	2-2107-01	Main Frame Angle, 1-1/2 x 1/4	50	3-42-007-0	Hinge Bearing, 1/4 x 5/8
2	6-20-023-0	Screw, #8-18 x 1/2 Hex Head	51	3-54-034-0	Door Hinge Upper, Right Hand
3	2-2195-12	Left Main Frame Side; 69, Right Hand		3-54-035-0	Door Hinge Upper, Left Hand
	2-2195-38	Left Main Frame Side; 69, Left Hand	52	4-15-031-0	Diffuser Assembly, 5-1/4 x 31-9/16
4	6-20-021-0	Screw, #8-32 x 1/2 Flat Head	53	4-24-003-0	Grille Assembly, 11 x 36
5	0-16453-0	Back Cover & Shroud	54	3-58-010-0	Name Plate
6	6-20-006-0	Screw, #8-32 x 1/2 Pan Head	55	6-15-014-0	Spring Grip Nut, 1/8
7	4-28-029-0	Unit Shroud Assembly	56	3-41-015-0	Plastic Egg Tray
8	4-28-041-0	Fan Shroud Assembly	57	3-45-016-0	U-Clip, .248 x .354 x .50
9	4-28-021-0	Compressor Shroud Assembly	58	3-60-030-0	Cantilever Shelf, 31
10	3-45-012-0	Grille Spring, 1/4 x 9-3/8	59	4-15-037-0	Crisper Trim Assembly, 31-5/8
11	6-20-005-0	Screw, #10-12 x 1/2 Pan Head	60	3-21-025-0	Rear Crisper Seal
12	2-2195-31	Main Frame Top; 36, Right Hand	61	4-15-049-0	Crisper Glass Assembly, 31.44 x 15.50
	2-2195-32	Main Frame Top; 36, Left Hand	62	3-21-022-0	Front Crisper Seal, 30-7/16
13	2-2195-37	Right Main Frame Side; 69, Right Hand	63	4-15-082-1	Bottom Cabinet Hinge, Right Hand
	2-2195-06	Right Main Frame Side; 69, Left Hand		4-15-082-2	Bottom Cabinet Hinge, Left Hand
14	3-03-003-0	Light Bulb, 40 Watt	64	6-11-021-0	Bolt, #10-24 x 1/2 Flat Head UC
15	3-05-003-0	Light Socket	65	6-11-027-0	Bolt, #10-32 x 1/4 Round Head
16	6-22-019-0	Support, .275 x .750	66	0-18238-1	Bottom Cabinet Hinge, Right Hand
17	6-22-007-0	Support, .44 x .63 x 1.53		0-18238-2	Bottom Cabinet Hinge, Left Hand
18	6-20-013-0	Screw, #8-15 x 3/4 PH Truss Head S/S	67	3-42-069-0	Bottom Door Hinge Cam, Right or Left Hand
19	2-2217-01	Right Refrigerator Shelf Ladder	68	3-42-068-1	Bottom Cabinet Hinge Cam, Right Hand
20	6-20-014-0	Screw, #8-15 x 3/8 Truss Head	69	3-42-068-2	Bottom Cabinet Hinge Cam, Left Hand
21	0-20063-0	Cold Plate Cover	70	3-48-068-0	Crisper Handle, .44 x 1.53 x 14.491
22	2-2217-02	Left Refrigerator Shelf Ladder		4-18-050-0	Crisper Front (Vegetable), 14.647
23	3-41-021-0	Crisper Slide Center	71	6-20-029-0	Crisper Basket Assembly (Veg.), 15.00 x 15.95
24	6-11-033-0	Bolt, #10-32 x 1/2 Screw Chrome Plated	72	3-41-028-0	Screw, #4-24 x 1/4 Truss Head
25	3-42-032-0	Roller, .250 x .75	73	3-42-030-0	Crisper Basket, 15.00 x 15.96 x 5.68
26	3-55-016-0	Hex Insert, #10-32	74	6-22-020-0	Center Crisper Support
27	3-41-020-1	Crisper Slide, Right	75	3-48-067-0	Support; Barrel Type, .225 x .406
	3-41-020-2	Crisper Slide, Left		4-18-049-0	Crisper Front (Meat), 14.647
28	6-20-045-0	Screw, #8-15 x 1 Type A Flat Head	76	3-41-004-0	Crisper Basket Assembly (Meat), 15.00 x 15.95
29	6-20-044-0	Screw, #10 x 11/16 Type B Flat Head	77	0-23239-0	Ice Bucket Handle, 1 x 7-3/8
30	6-11-033-0	Screw, #10-32 x 1/2 Chrome Plated	78	6-11-003-0	Ice Bucket
31	4-18-068-1	Freezer Cabinet Slide Assembly, Right Hand	79	6-15-059-0	Bolt, #10-24 x 1/2 Round Head
	0-23236-1	Freezer Right Cabinet Slide	80	3-51-559-0	Weld Nut (RNZ1510)
	4-18-068-2	Freezer Cabinet Slide Assembly, Left Hand	81	3-41-074-0	Upper Freezer Basket Handle
	0-23236-2	Freezer Left Cabinet Slide	82	6-11-003-0	Upper Freezer Basket, White
32	0-23231-0	Drawer Slide Rear Shim	83	6-12-028-0	Bolt, #10-24 x 1/2 Round Head
33	0-23230-0	Drawer Slide Front Shim	84	6-15-003-0	Tube Clamp; Plastic, 3/16
34	6-20-059-0	Screw, #12 x 1 PH Flat Head Steel	85	3-41-076-0	Nut, #10-24 Hex S/S
35	3-42-082-1	Cabinet Support Insulator, Right Hand	86	3-41-075-0	Lower Basket, White
	3-42-082-2	Cabinet Support Insulator, Left Hand	87	4-18-067-0	Lower Basket Divider, White
36	6-20-015-1	Screw, #10 x 3/4 Type 23 PH Round Head	88	6-20-005-0	Freezer Drawer Slide Assembly
37	6-11-044-0	Bolt, 1/4-20 x 3/4 PH Flat Head	89	0-16500-0	Screw, #10-12 x 1/2 Pan Head
38	3-43-004-0	Spacer, .75 x .26 x .22	90	3-57-003-0	Kickplate
39	3-42-090-0	Roller Bearing, 1.8 x .5	91	2-8073-09	Leveler Wrench, 26-3/4
40	6-11-026-0	Bolt, 1/4-20 x 1/2 Flat Head	92	2-8073-10	Refrigerator Breaker; Right Side, 46-13/16
41	4-11-003-1	Right Base Assembly	93	2-8073-15	Refrigerator Breaker; Left Side, 46-13/16
42	3-57-004-0	Leveling Leg, 3/8-18 x 1-1/2	94	2-8073-26	Top & Bottom Breaker, 32-7/8
43	6-20-001-0	Screw, #10-12 x 3/4 Pan Head	95	2-8073-27	Freezer Breaker Strip, Right Side
44	3-57-002-0	Leveling Leg, 3/8-18 x 4	96	2-8073-25	Freezer Breaker Strip, Left Side
45	4-11-003-2	Left Base Assembly	97	2-8073-25	Freezer Bottom Breaker Strip, 32-11/16
46	6-11-007-0	Bolt, 1/4-20 x 5/8 Hex Head	98	2-8085-02	Freezer Breaker Strip, 32-7/8
47	0-18256-0	Top Door Hinge	99	3-55-030-0	Mullion Breaker Strip, 32-7/8
48	6-11-001-0	Bolt, #10-24 x 1/2 Flat Head UC	100	6-20-036-0	Rear Drawer Glide, 1/2 x 1/4
49	6-20-039-0	Screw, #6 x 3/8 PH T25 Flat Head	101	2-2203-01	Screw, #6-32 x 7/8 Truss Head
					Crisper Glass Front

