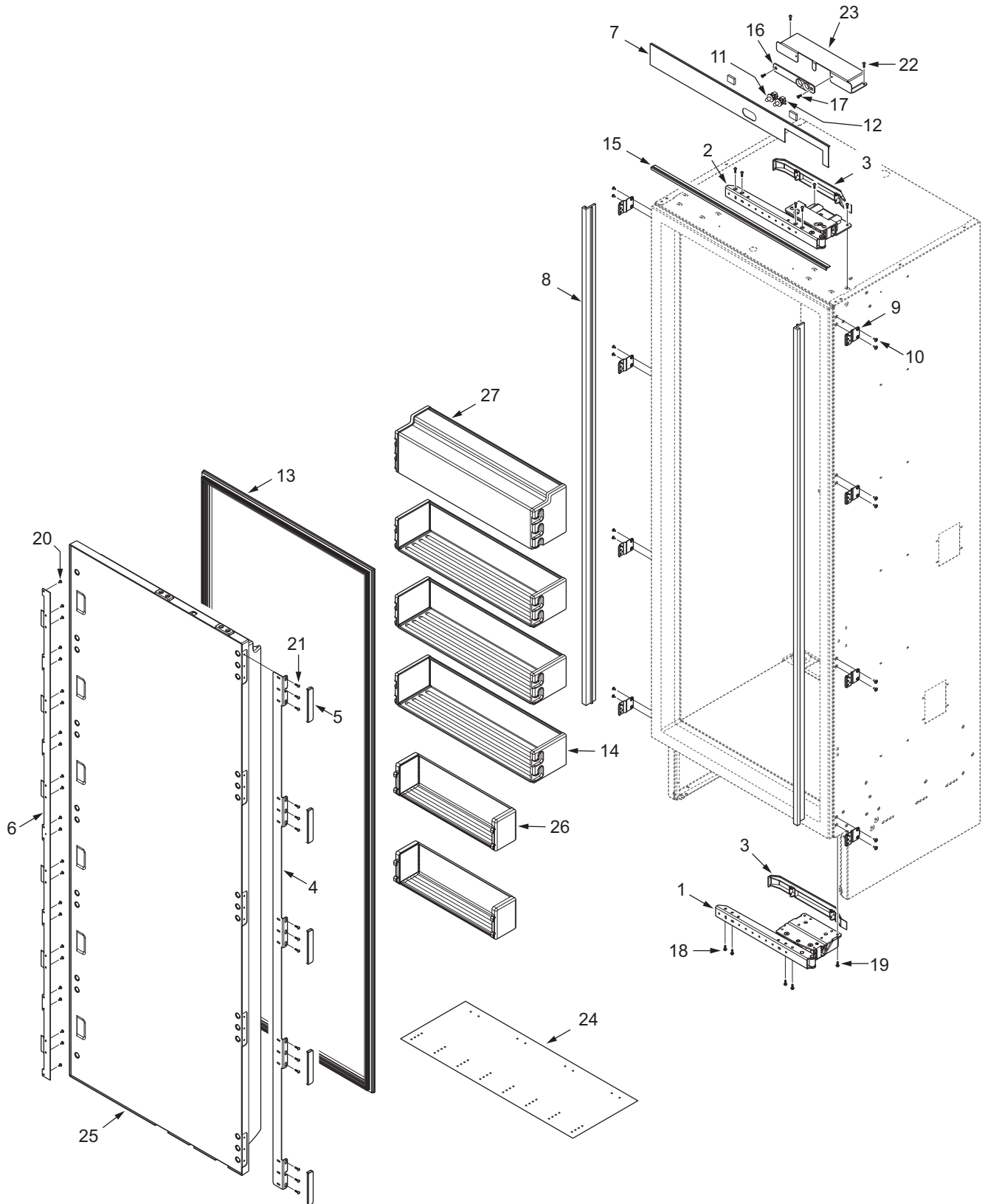




IC-27R DOOR & EXTERIOR PARTS LIST

<u>Ref #</u>	<u>Part #</u>	<u>Description</u>	<u>Ref #</u>	<u>Part #</u>	<u>Description</u>
1	7015120	Hinge Assy., Bottom LH Svce	13	7015147	Gasket, Door Svce
	7015121	Hinge Assy., Bottom RH Svce	14	7016218	Shelf Assy., Door Svce
2	7015126	Hinge Assy., Adjust Top RH Svce	15	4152070	Trim Assy, Top
	7015127	Hinge Assy., Adjust Top LH Svce	16	3450920	Bracket, Switch Mtg
3	3541300	Cover, Hinge	17	6200210	Screw, #8-32 x 1/2" Flat Head
4	7015129	Bracket, Panel Hinge Side Svce	18	7011247	Screw,#10-24 X 3/4 FL SKT HD,LOK
5	7015944	Cover, Panel Bracket Svce	19	6200780	Screw, #10-24 x 1/2" PH Hex Washer
6	7015134	Bracket, Panel Handle Side SV	20	6200720	Screw, #8-18 x 1/2 PH Truss HD
7	7015138	Molding, Top RH Svce	21	6201500	Screw, #10X3/4 Drill PH Hex Wash
	7015139	Molding, Top LH Svce	22	6200010	Screw, #10-12 x 3/4" Pan HD
8	7015146	Molding, Side Svce	23	7016433	Enclosure, Switch Svce
9	7014676	Brackets & Screws Ref to Cab Svce	24	7015148	Template, Panel Drill Svce
10	6201180	Screw, Tapping, #8 x 1/2" PH FL HD	25	7015113	Door Assy., Ref. RH Svce (Incl Gasket)
11	7004259	Switch, Fan Svce		7015114	Door Assy., Ref. LH Svce (Incl Gasket)
12	7004257	Switch, Light Svce	26	7015130	Shelf Assy., Door Shallow Svce
			27	7016434	Compartment Assy, Dairy

IC-27R DOOR & EXTERIOR VIEW



IC-27R INTERIOR PARTS LIST

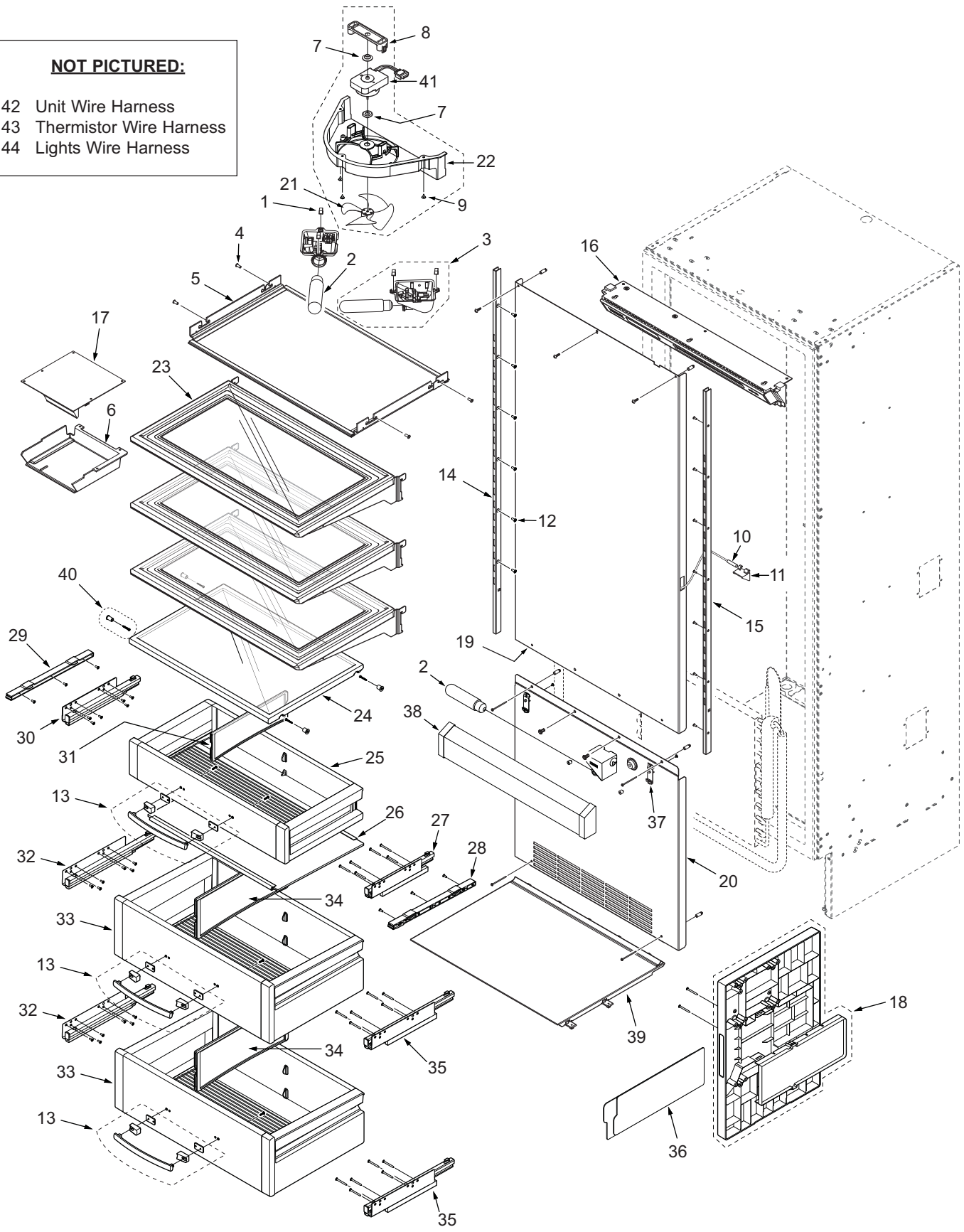
<u>Ref #</u>	<u>Part #</u>	<u>Description</u>	<u>Ref #</u>	<u>Part #</u>	<u>Description</u>
1	6220220	Screw Grommet, 1/32 x 3/8" SQ	20	7015965	Duct Assy., Lower RH Svce
2	7009935	Lamp,Blue Glass 230V Svce		7015964	Duct Assy., Lower LH Svce
3	7009429	Bracket Assy,1 LT(T)Dom Svce	21	7015874	Fan Blade, Svce
	7011197	Brkt Assy,1 LT (W/O T)Domestic Svce	22	7015873	Shroud, Ref Fan Svce
4	3520420	Insert / Diffuser Stand-off	23	7005346	Shelf Assy, Glass Svce
	6201330	Screw, #8 PH-PAN HEAD 1"	24	7015145	Shelf, Crisper Svce
5	4161140	Light Diffuser Assy	25	7010435	Deli Assy, Svce
6	4152050	Cover Assy, Control	26	7010433	Glass, Cover Crisper Svce
7	7005046	Grommet, Motor Fan		7011095	Seal, Crisper Front Svce
8	NA			7011096	Seal, Crisper Rear Svce
9	6201270	Screw, #8-18 x 5/8" PH PN SS-Gnd	27	7007056	Slide, Drawer RH Svce
10	4204740	Therm Asm, Svc	28	7006975	Support, Crisper Cover RH Svce
11	7007030	Bracket, Thermistor Svce	29	7007053	Support, Crisper Cover LH Svce
12	6200710	Screw, #8-18X1/2 PH SS Type AB	30	7007057	Slide, Drawer LH Svce
13	7011094	Handle Assy, Drawer Svce	31	7011081	Divider, Deli Svce
14	7015122	Shelf Ladder, RH Svce	32	7007055	Slide, Drawer LH Svce
15	7015123	Shelf Ladder, LH Svce	33	7010434	Crisper Assy, Svce
16	7015136	Control Assy, Panel Front Svce	34	7011080	Divider, Crisper Svce
17	7015875	Board, Control Svce	35	7007054	Slide, Drawer RH Svce
18	7015118	Spacer Assy., Crisper RH Svce	36	7015135	Card, User Reference Svce
	7015119	Spacer Assy., Crisper LH Svce	37	7007040	Support, Crisper Cover SVCE
19	7015966	Duct, Air Upper Svce	38	7016439	Cover Assy, Lower Light Svce
			39	7016440	Duct Assy, Crisper Svce
			40	7003167	Standoff, Fixed Shelf Ref
			41	7003817	Motor, Fre Fan, Svce

NOT PICTURED

42	7010810	WH, Unit
43	7010811	W/H Thermistor
44	7010919	W/H, Lights

IC-27R INTERIOR VIEW

NOT PICTURED:
 42 Unit Wire Harness
 43 Thermistor Wire Harness
 44 Lights Wire Harness





IC-27R TRAY AND SEALED SYSTEM PARTS LIST

<u>Ref #</u>	<u>Part #</u>	<u>Description</u>	<u>Ref #</u>	<u>Part #</u>	<u>Description</u>
1	7015140	Kickplate Assy., RH Svce	18	4202000	Rear Leveler Assembly
	7015141	Kickplate Assy., LH Svce	19	3570060	Bolt, Leveler 3/8-16X2-1/8
2	7014692	Nameplate Svce	20	7016437	Cover , Power Inlet Svce
3	6200050	Screw, #10-12 x 1/2" Pan HD (Black)	21	7002603	Cord,Power Svce
4	7016435	Kickplate, Bracket	22	7006964	Drier, High Side Svce
5	7015870	Condenser, Svce	23	7005783	Bracket,Drier Svce
6	7015867	Shroud, Condenser Svce	24	6120170	Locking Cable Tie, Red, 11-1/2"
7	7015865	Condenser, Air Guide Svce	25	6160070	Sleeve, 5/16 x 7/16 x 7/8"
8	7006413	Motor,Cond Fan Svce	26	3150170	Rubber Grommet, Large, 15/16"
9	7011248	Bracket,Cond Fan Motor Svce	27	6240050	Washer, Flat 5/16"
10	3220360	Grommet, Mtg Brkt	28	6150220	Nut, 5/16-18 Hex Zinc
11	6201580	Screw,#8-36 X 1/2 Nylon Patch	29	NA	Unit Tray (Contact Factory)
12	7015872	Bumper, Shroud Svce	30	7006959	Compressor Assy, EMU30HSC Svce
13	7011465	Fan Blade,Condenser Svce	31	7006962	Electricals,EMU30HSC Svce
14	7015869	Heater, Drain Pan Svce	32	7005578	Capacitor, 12Mf SVCE
15	7014011	Drain Pan,Svce	33	7005579	Term Cvr Spring,EGZ80 Svce
16	7010033	Bracket,Anti-Tip Svce	34	7015876	Evap. Assy, REF Svce (Incl Heat-X)
17	7016436	Rod, Adjusting, Svce		7015877	Evap, REF Svce

IC-27R TRAY AND SEALED SYSTEM VIEW