

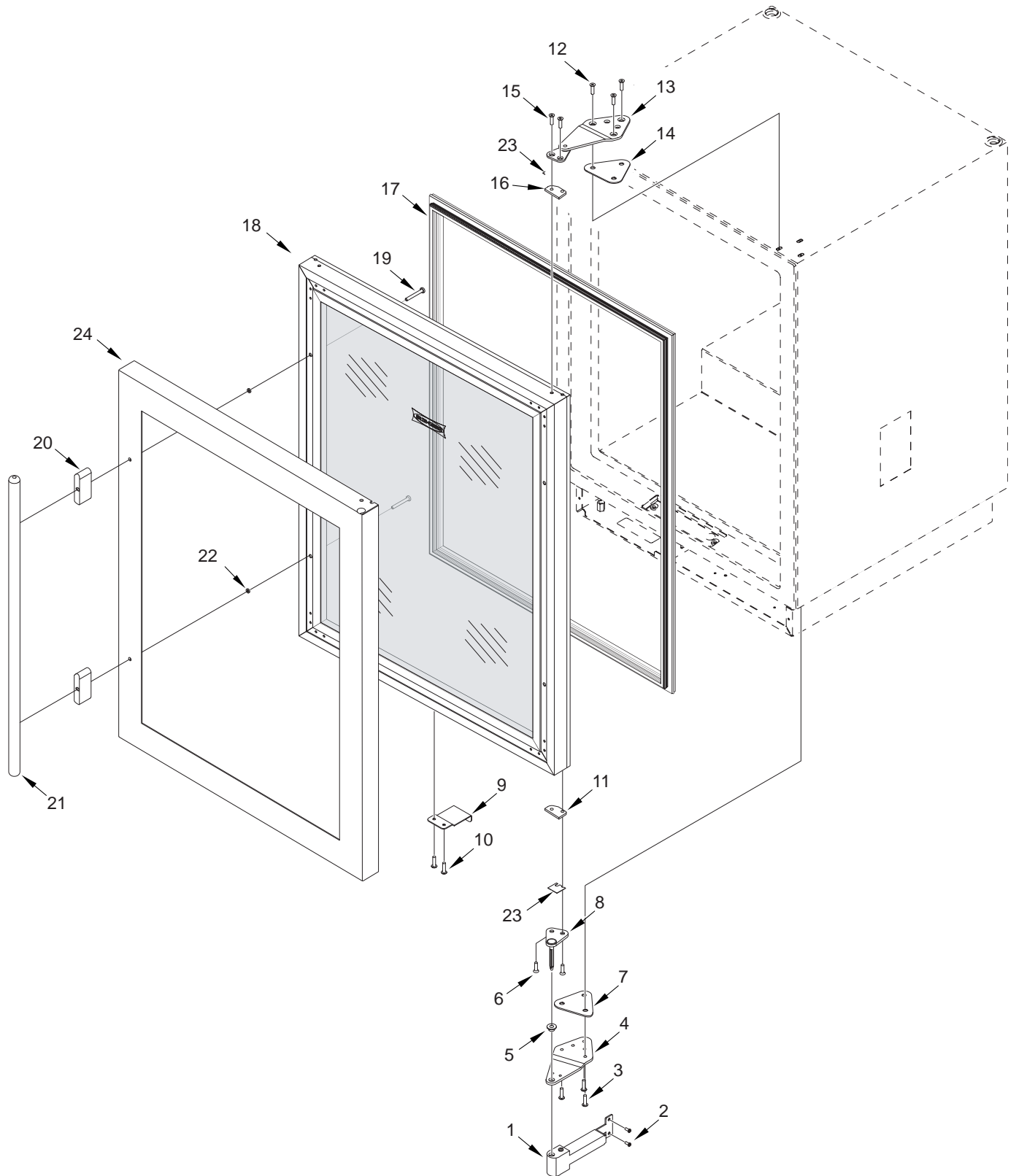


UC-24B DOOR VIEW PARTS LIST

<u>Ref #</u>	<u>Part #</u>	<u>Description</u>
1	3540810	Closer, Door 150Lb
2	6200780	Screw, #10-24 x 1/2" PH Hex Washer
3	6200780	Screw, #10-24 x 1/2" PH Hex Washer
4	3541111	Hinge, Cabinet Bottom- Black
	3541112	Hinge, Cabinet Bottom- Silver
5	NA	Part of Bottom Door Hinge Assembly (see Ref #8)
6	6110610	Screw, #10-24 x 3/4 FL Socket HD
7	7002351	Spacer, Hinge Bottom Svce
8	3541093	Hinge, Door Bottom - RH Black
	3541094	Hinge, Door Bottom - LH Black
	3541095	Hinge, Door Bottom - RH Silver
	3541096	Hinge, Door Bottom - LH Silver
9	7001959	Depressor, Switch Svce
10	6110020	Bolt, #10-24 x 3/8" Truss HD
11	7001958	Spacer, Hinge Svce (SS Units)
	3541131	Shim, Door Black (Overlay Units)
12	6110540	Bolt, #10-24 x 1/2" Flat Socket HD (Silver)
13	3541121	Hinge, Cabinet Top Assy Black
	3541122	Hinge, Cabinet Top Assy Silver
14	7002350	Spacer, Hinge Top Svce
15	6110610	Screw, #10-24 x 3/4 FL Socket HD
16	7001958	Spacer, Hinge Svce (SS Units)
	3541131	Shim, Door Black (Overlay Units)
17	7002357	Gasket, Door Svce
18	7002671	Door Assy, Svce (Overlay, RH & LH)
	7002673	Door Assy, Svce (High Altitude Overlay, RH & LH)
	7002675	Door Assy, Svce (Stainless Steel, RH & LH)
	7002677	Door Assy, Svce (High Altitude Stainless Steel, RH & LH)
	NOTE: Door Assemblies Include Gasket and Switch Depressor; Do not include Hinges, Handle or Panel	
19	6110790	Screw, Mach #10-24X1-3/4 Pan HD (SS Units)
20	3512190	Standoff, SS Oval (SS Units)
21	3512030	Handle, Door SS 3/4X24.188 (SS Units)
22	6160250	Spacer, Do or Handle (SS Units)
23	0862340	Shim, Door Hinge (SS Units)
24	7002691	Panel Assy, RH Svce (Hinge Right) (SS Units)
	7002692	Panel Assy, RH Svce (Hinge Left) (SS Units)



UC-24B DOOR VIEW





UC-24B COSMETIC VIEW PARTS LIST

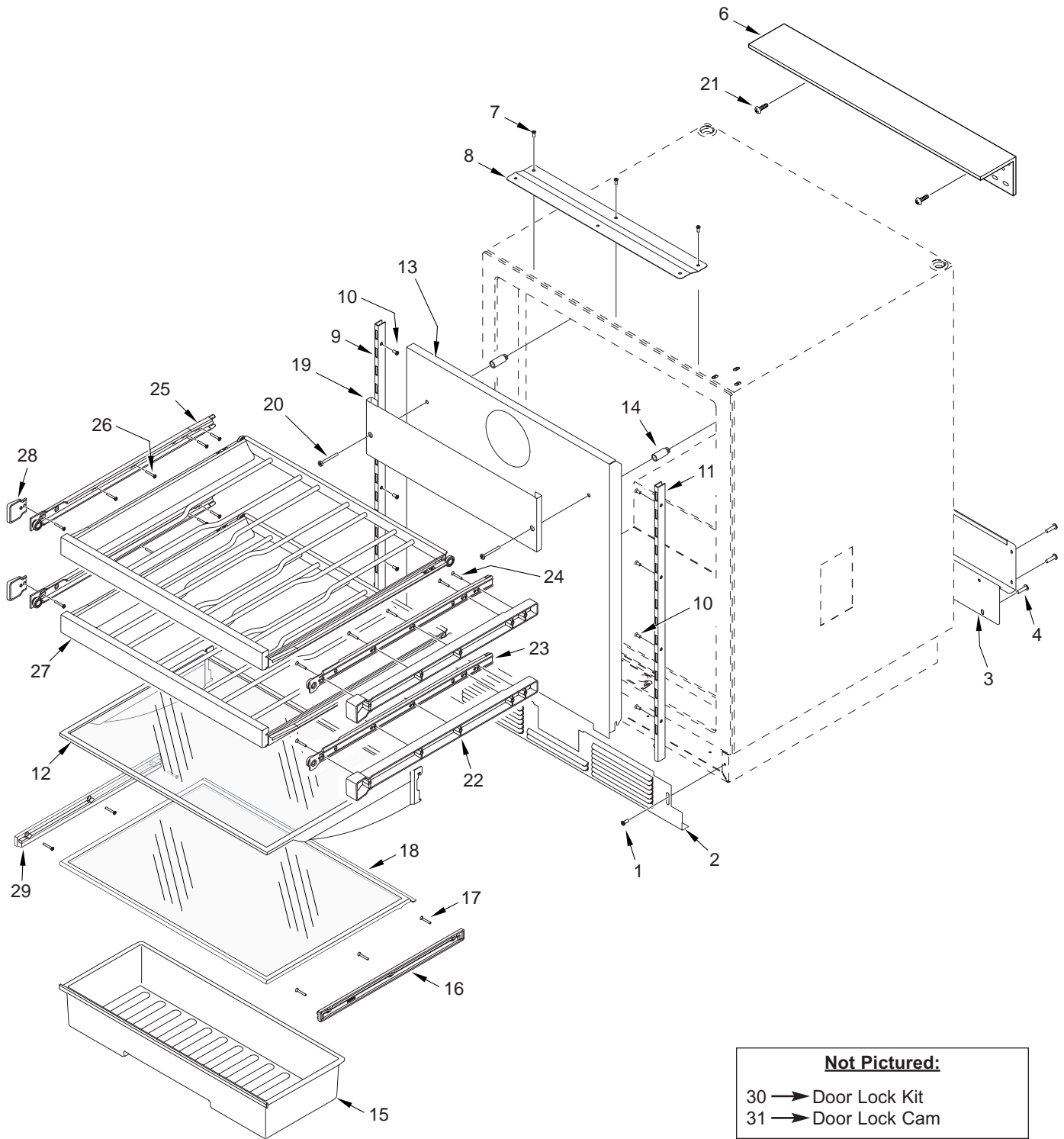
<u>Ref #</u>	<u>Part #</u>	<u>Description</u>
1	6200050	Screw, #10-12 x 1/2" Pan HD
2	7002353	Kickplate, Silver Svce
	7002354	Kickplate, Black Svce
	7004423	Kickplate, UC, For Lock, Svce (Black Kickplate for UCLOCK Kit)
	7004424	Kickplate, UC SS For Lock, Svce (Silver Kickplate for UCLOCK Kit)
3	7002139	Cover, Unit Svce
4	6201270	Screw, #8-18 x 5/8" PH PN SS-Gnd
5	NA	
6	0168810	Anti Tip Bracket - 23-7/8"
7	6200780	Screw, #10-24 x 1/2" PH Hex Washer
8	3421980	Bracket, Ref to Countertop
9	7001874	Shelf Ladder, LH Svce
10	6200710	Screw, #8-18 X 1/2 PH SS Type AB
11	7001875	Shelf Ladder, RH Svce
12	7001877	Shelf, Cantilever Svce
13	7002178	Cover, Evap Svce
14	7001108	Standoff, 7/8"
15	7001894	Bin, Svce
16	7001891	Slide, Bin RH Svce
17	6201230	Screw, #8 x 7/8" A#7 PH FT Head
18	7001879	Floor, Glass Svce
19	7002355	Shroud, Fan Svce
20	6201010	Screw, #8-15 x 2" Pan Head
21	4260720	Kit, Install Hardware
22	3421820	Spacer, Slide Sprt (Hinge Side)
23	7002191	Slide, Cabinet RH Svce
24	6201240	Screw, #8 x 1-3/8" A#7 PH FT Head (Hinge Side)
25	7002192	Slide, Cabinet LH Svce
26	6201230	Screw, #8 x 7/8" A#7 PH FT Head (Handle Side)
27	7002190	Shelf Assy, Wine Svce
28	3421830	Spacer, Slide (Handle Side)
29	7001892	Slide, Bin LH Svce

Not Pictured:

30	7001575	Kit, Lock (UCLOCK Kit, Includes Lock Components & Kickplates)
31	7004425	Cam, Lock Svce (Part of UCLOCK Kit)



UC-24B COSMETIC VIEW





UC-24B MECHANICAL VIEW PARTS LIST

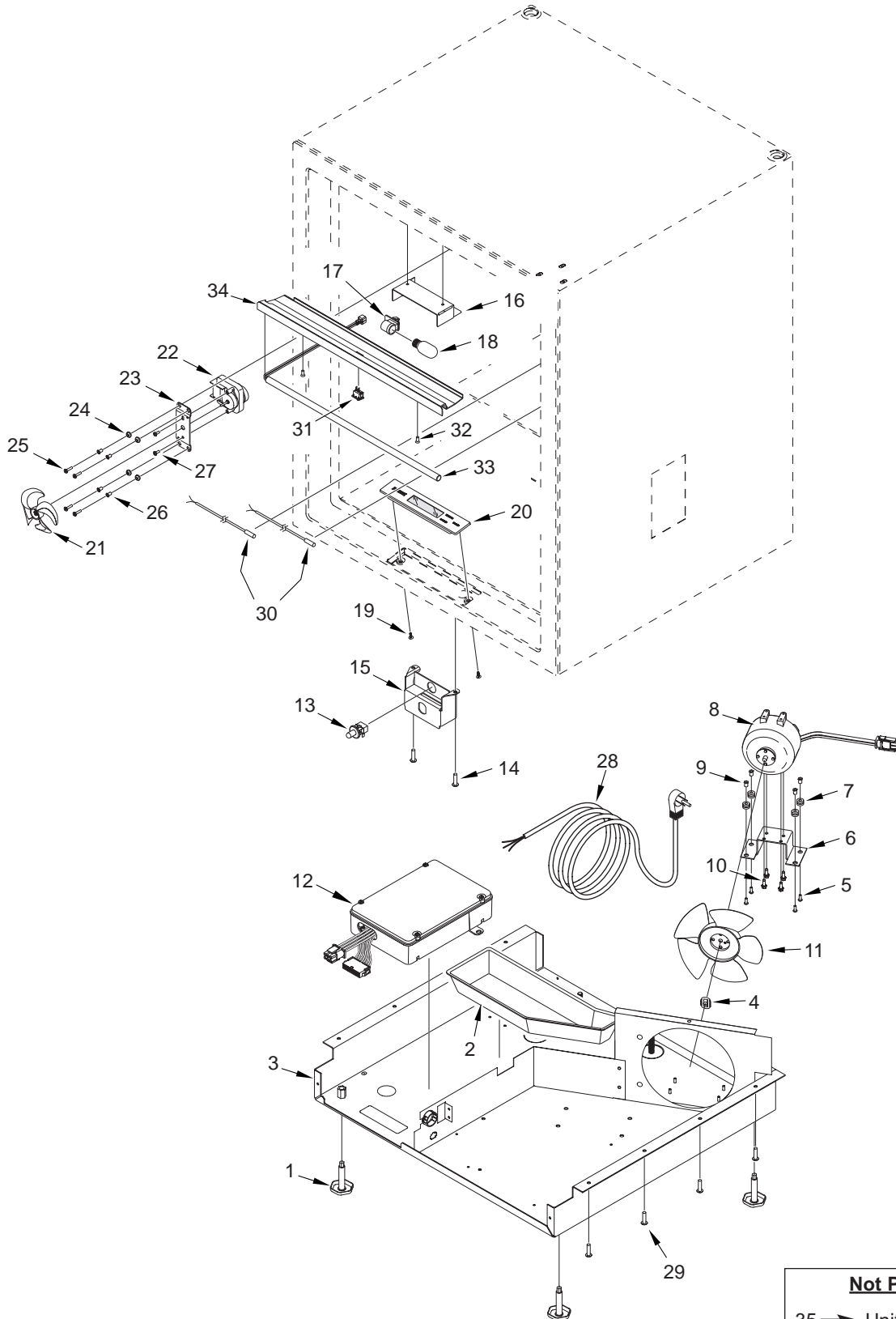
<u>Ref #</u>	<u>Part #</u>	<u>Description</u>	<u>Ref #</u>	<u>Part #</u>	<u>Description</u>
1	3570050	Leveling Leg, #18-3/8 x 1"	18	3030060	Bulb, Light 25W 1X2-1/2
2	7002138	Drain Pan, Svce	19	6200860	Screw, #8 x 1/2" PH TRDH Hi-lo
3	7002679	Unit Tray Assy, Svce	20	7002117	Display Assy, Ref Svce
4	6150410	Nut, 1/4-20	21	3150640	Blade, Evap Fan
5	6200610	Screw, #6-32 x 3/8" PH Rd Hd, Zinc	22	4220801	Motor Assy, Evap Fan Srvc
6	0263131	Bracket, Condenser Srvc	23	0212330	Bracket, Evap Fan Motor
7	3220160	Grommet, 3/16" x 7/16" x 9/32"	24	3220250	Grommet, Rubber-M5351
8	3150930	Motor, Condenser 1 WATT	25	6201270	Screw, #8-18 x 5/8" PH PN SS-Gnd
9	6220290	Stand-Off, #6-32	26	3520120	Insert, Br ass 3/16X9/32
10	6201580	Screw,#8-36 X 1/2 Nylon Patch	27	6110270	Bolt, #10-32 x 1/4" RD HD
11	3150940	Blade, Condenser Fan	28	7002328	Cord, Power Svce
12	7002137	Control Assy, U/C Svce	29	6110020	Bolt, #10-24 x 3/8" Truss HD
13	7004258	Switch, Light Black Svce	30	4204740	Therm Assy, Svce
14	6110020	Bolt, #10-24 x 3/8" Truss HD	31	7002194	Switch, Light Svce
15	7002237	Bracket, Switch Svce	32	6201310	Screw, #8 x 1-3/4" Flat PH HD
16	0212932	Bracket, Light SRVC-Base	33	3030150	Strip, Light 15 Watt
17	3050220	Socket, Light Int Base Sngl	34	7002193	Bracket, Light Svce

Not Pictured:

35	7002235	W/H, Ref Svce
----	---------	---------------



UC-24B MECHANICAL VIEW



Not Pictured:
35 → Unit Wire Harness

**UC-24B SEALED SYSTEM VIEW PARTS LIST**

<u>Ref #</u>	<u>Part #</u>	<u>Description</u>
1	7002177	Compressor, Svce (EMU45HSC) (Includes Electricals and Drier)
2	7000964	Electricals, Compressor, EMU45
	3112500	Capacitor, 12 Mf
	3112420	Term Cvr Spring, EGZ80
3	3014230	Filter-Drier, High Side
4	7002176	Condenser, Svce (Includes Drier)
5	3150010	Mount, Rubber #70456-1
6	6160030	Spacer, 5/16 x 7/16 x 5/8"
7	6240050	Washer, Flat 5/16"
8	6240090	Lock Washer, 5/16"
9	6150220	Nut, 5/16-18 Hex Zinc
10	3014100	Drier, Suct Line (Service Only)
11	3130640	Evaporator, Ref
	7002174	Evap Assy, Svce (Includes Heat Exchanger & Drier)
12	6201270	Screw, #8-18 x 5/8" PH PN SS-Gnd



UC-24B SEALED SYSTEM VIEW

