

Product Information

Important information for each Wolf product is listed on the product rating plate. Refer to the illustration for each Wolf product on the following pages for exact location.

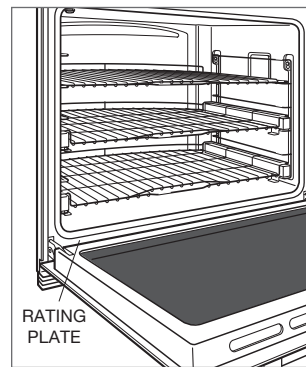
Information included on the product rating plate:

- Model and serial numbers. These numbers are required to register your product for warranty service.
- Electrical specifications including ratings.
- Gas specifications including ratings.
- Type of gas, for products manufactured for use with natural gas or LP gas.

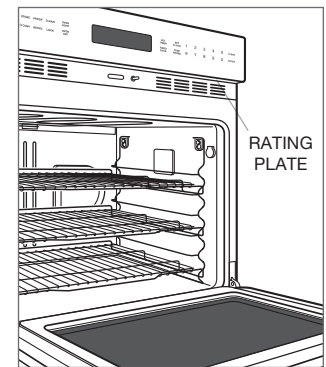
Product Rating Plate Location

BUILT-IN OVENS

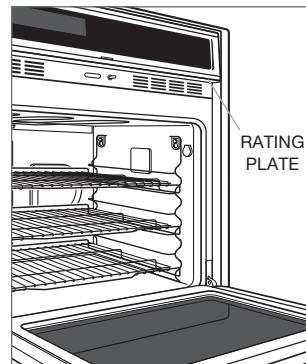
The product rating information is located near the bottom trim on the left for M series ovens, and below the control panel on the right for E and L series ovens (door must be open).



M series oven.



E series oven.

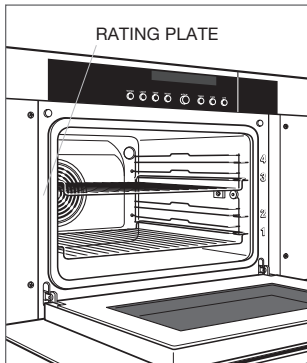


L series oven.

Product Rating Plate Location

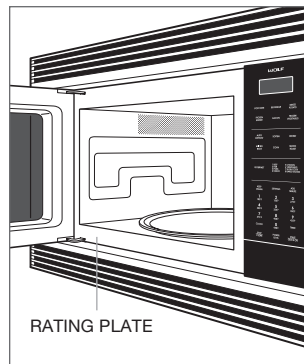
CONVECTION STEAM OVEN

The product rating information is located on the left side of the front face frame (door must be open).

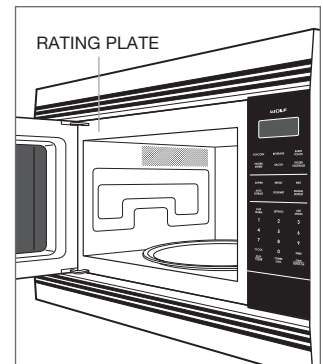


MICROWAVE OVENS

The product rating information is located in the lower left area of the front face frame for the convection microwave and upper left for the standard microwave (door must be open).



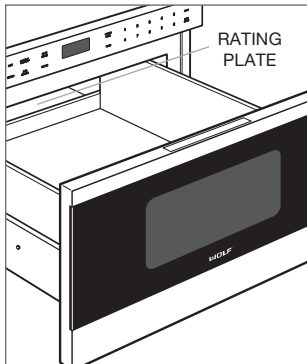
Convection microwave.



Standard microwave.

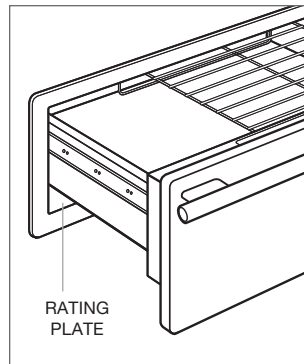
DRAWER MICROWAVE OVEN

The product rating information is located on the bottom of the oven cavity (drawer must be open).



WARMING DRAWER

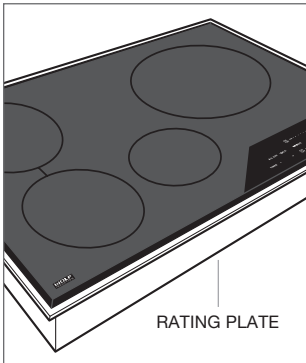
The product rating information is located on the left front floor area of the inner cabinet (drawer must be open).



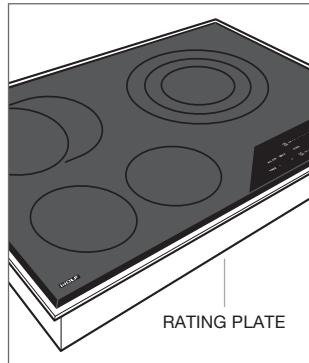
Product Rating Plate Location

COOKTOPS

The product rating information is located on the bottom of the cooktop.



RATING PLATE



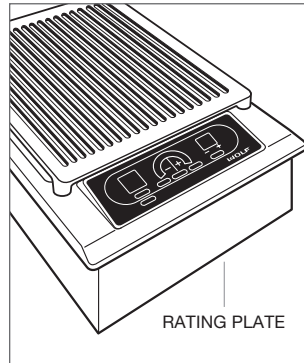
RATING PLATE

Induction cooktop.

Electric cooktop.

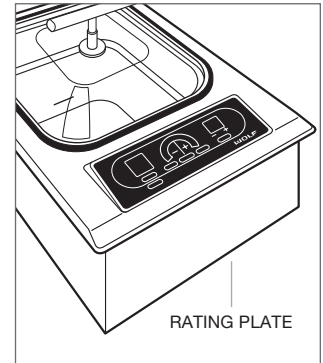
INTEGRATED MODULES

The product rating information is located on the bottom of the module.



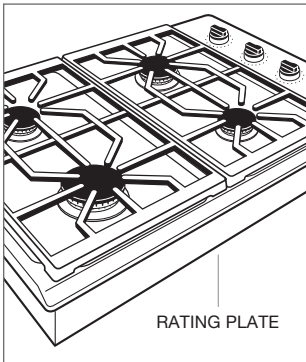
RATING PLATE

Grill module.



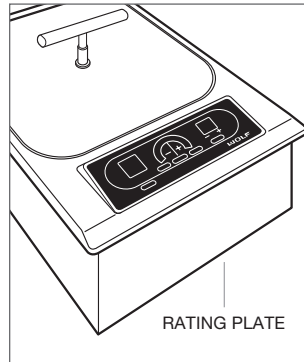
RATING PLATE

Steamer module.



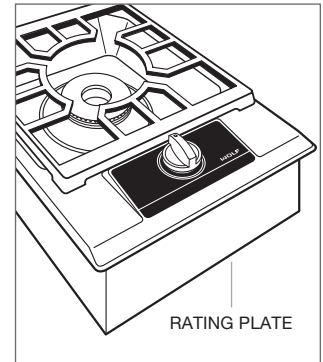
RATING PLATE

Gas cooktop.



RATING PLATE

Fryer module.



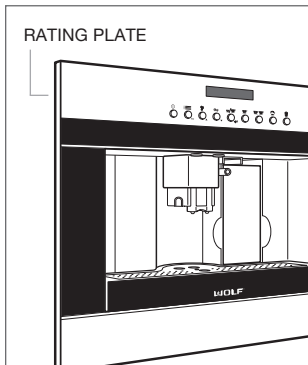
RATING PLATE

Multi-function cooktop.

Product Rating Plate Location

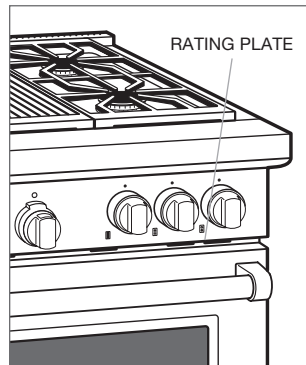
COFFEE SYSTEM

The product rating information is located above the coffee compartment (unit must be slid forward).

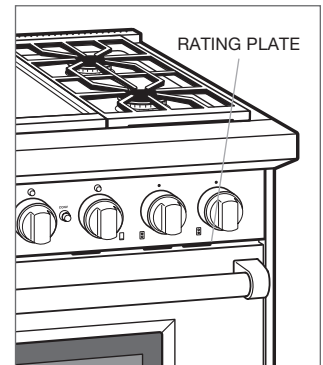


RANGES

The product rating information is located on the bottom of the control panel, at the far right, just above the oven door.



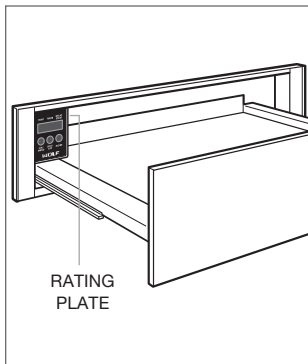
Dual fuel range.



Gas range.

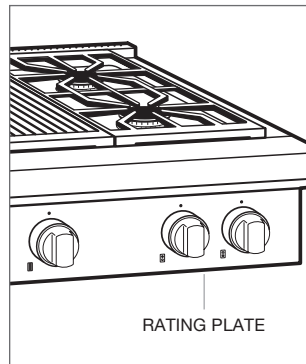
CUP WARMING DRAWER

The product rating information is located on the right side of the control panel (drawer must be open).



SEALED BURNER RANGETOP

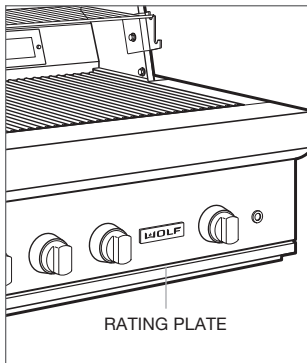
The product rating information is located on the bottom of the control panel, at the far right.



Product Rating Plate Location

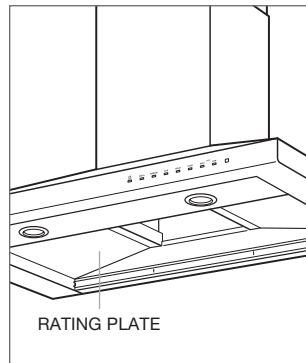
OUTDOOR GAS GRILL

The product rating information is located above the drip tray, behind the logo (drip tray must be removed).



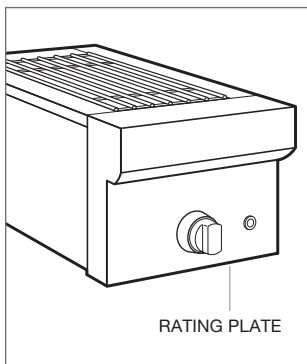
COOKTOP VENTILATION HOODS

The product rating information is located under the left side of the hood, above the filters (filters must be removed).



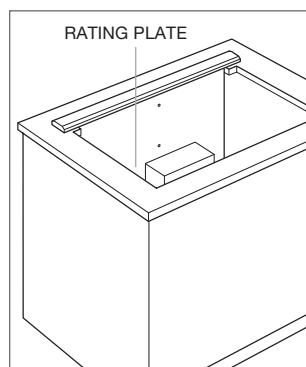
OUTDOOR MODULE

The product rating information is located on the bottom of the control panel, on the right side.



DOWNDRAFT VENTILATION

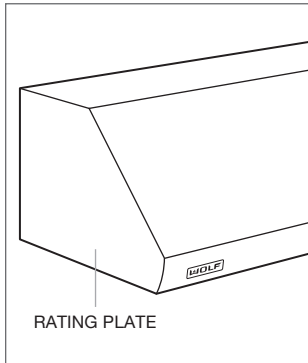
The product rating information is located next to the blower housing on the front side of the downdraft, below the countertop.



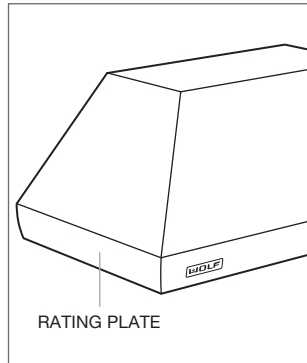
Product Rating Plate Location

PRO VENTILATION

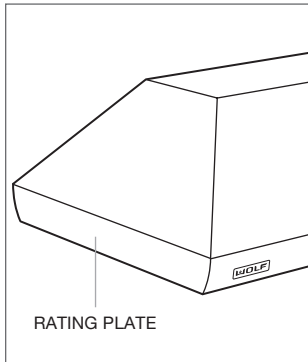
The product rating information is located inside the left wall of the hood shell.



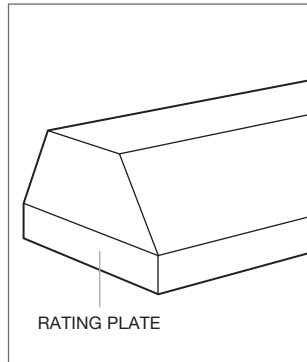
Pro wall hood.



Pro wall chimney hood.



Pro island hood.



Pro hood liner.

Wolf Serial Tag Locations

Coffee Systems

- The Wolf Coffee System serial number starts with 137XXXXX.
- The Wolf serial number is on a plain white tag today that has no other markings, only a number and a bar code and is found on the right side.
- The 5 digit number on the black and silver rating plate is not part of the serial number.

Gas Ranges

- First identify if it is an **R Series** or **GR Series** Gas Range:
 - Are the burners open (R) or sealed (GR)?
 - Does one burner grate cover one burner (R) or two burners (GR)?
 - Is the light switch a black toggle switch (R) or a stainless push button (GR)?
- For GR Gas Ranges the product rating information is located on the bottom of the control panel, at the far right, just above the oven door.
- For **RT Series** Range tops & **R Series** Gas Range serial tags are under the left surface burner pan on the left side wall;
 - Remove the burner grates, burner rings and left most burner pan to view it.
 - The serial tag is on the left side wall of the burner box.
 - Old Wolf Ranges, such as the AS30K1 may have the serial tag on the right side of the burner box.

M Series Double Ovens

- The serial tag is located in the bottom oven.

Microwave Drop Down Door

- With the door open, the serial tag is located on the left, bottom, front ledge.

BBQ Outdoor Grill

- The serial plate is located on the backside of the rear hood top.

WD30 Warming Drawer

- The serial plate is behind the drawer front on the back of the drawer frame front plate.

Blower Motors

- Blower motors do not have a separate serial numbers.