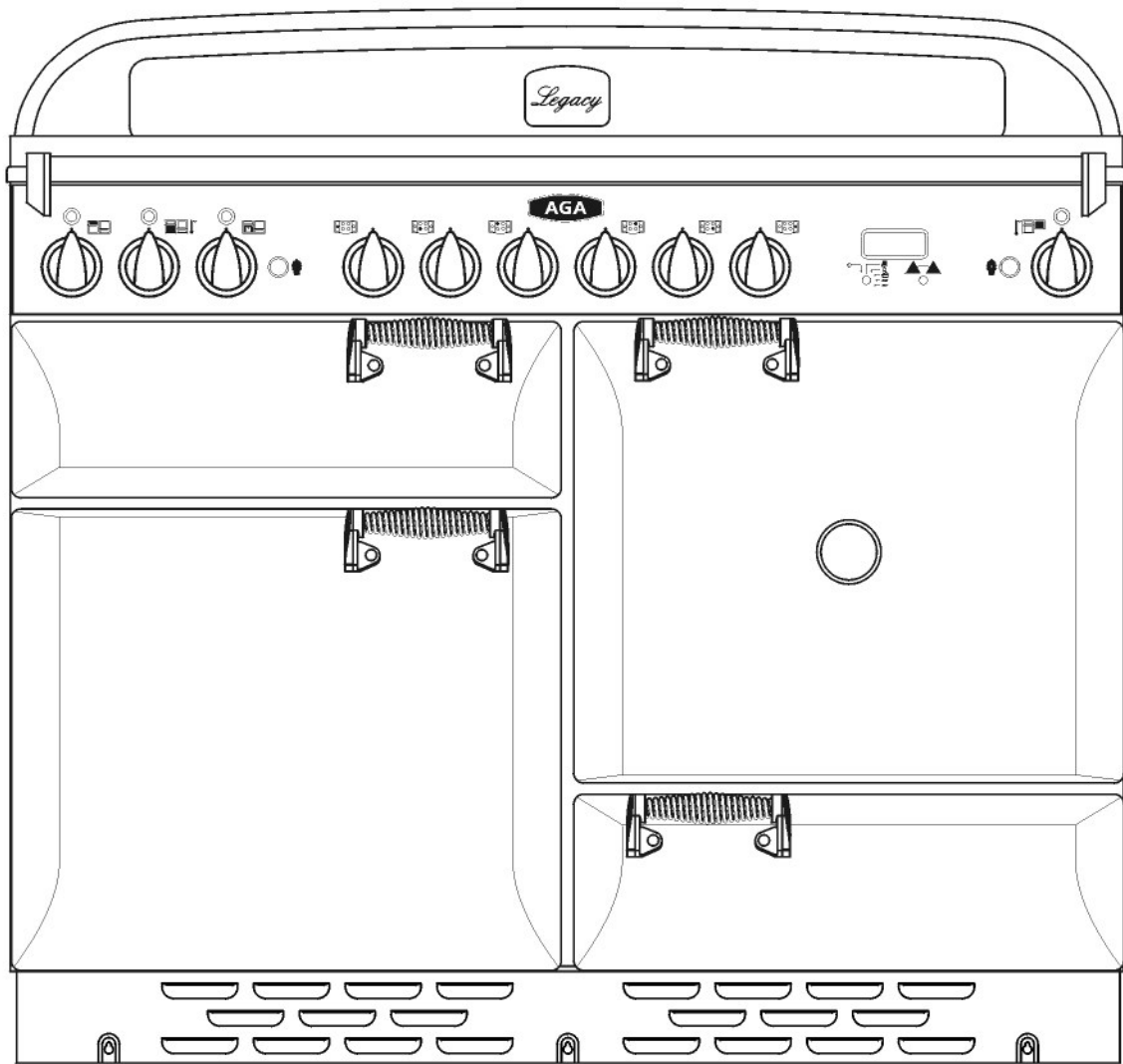
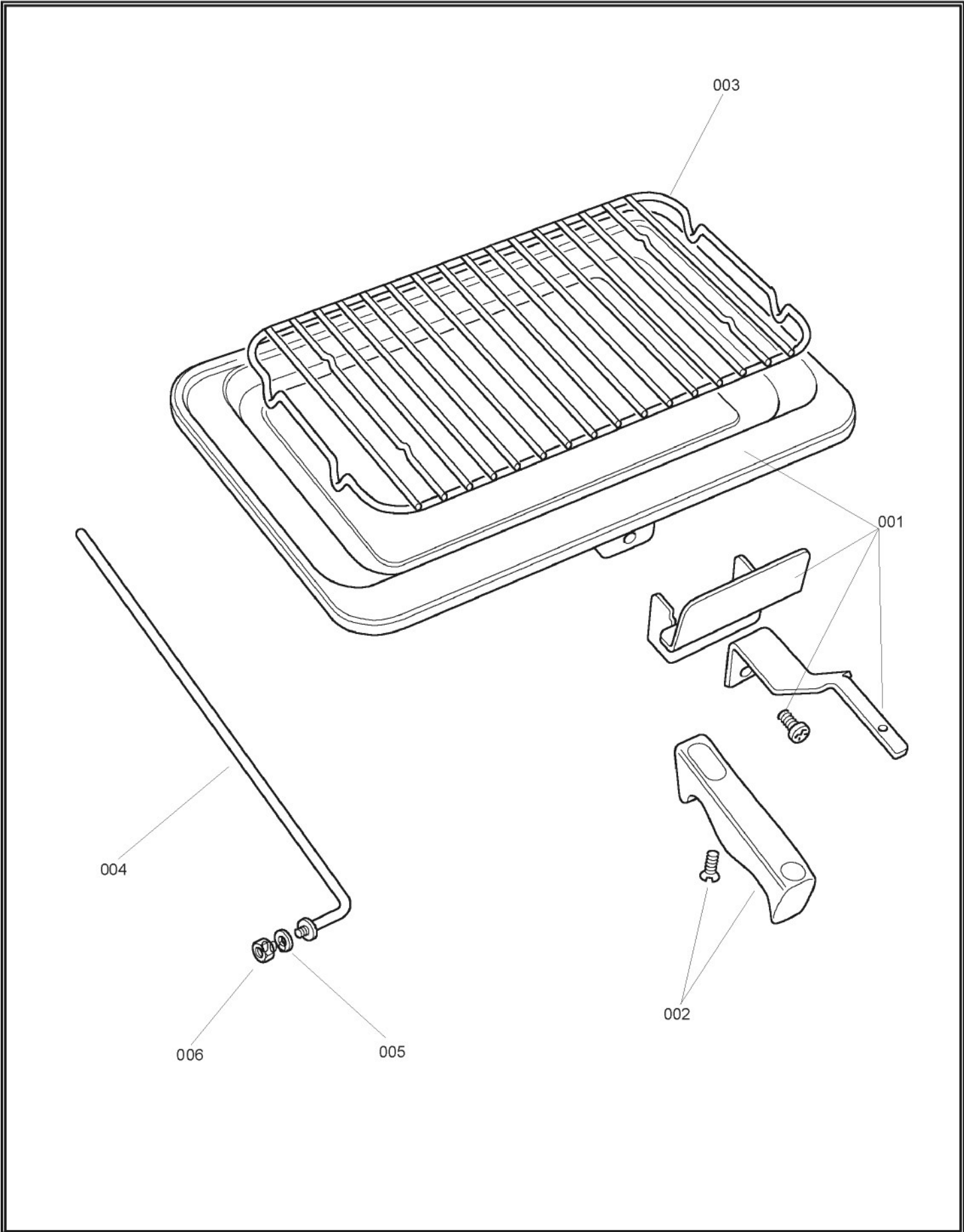
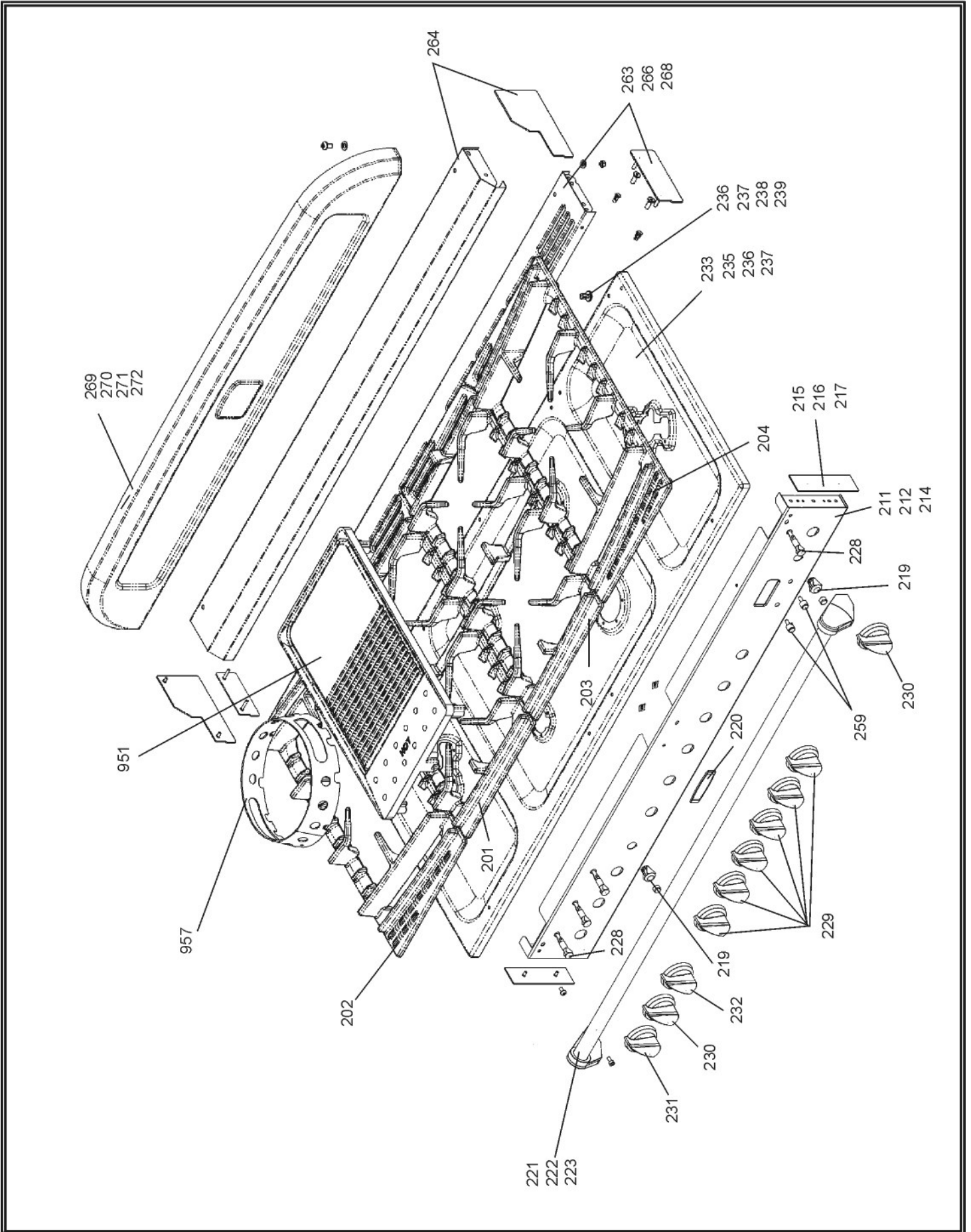


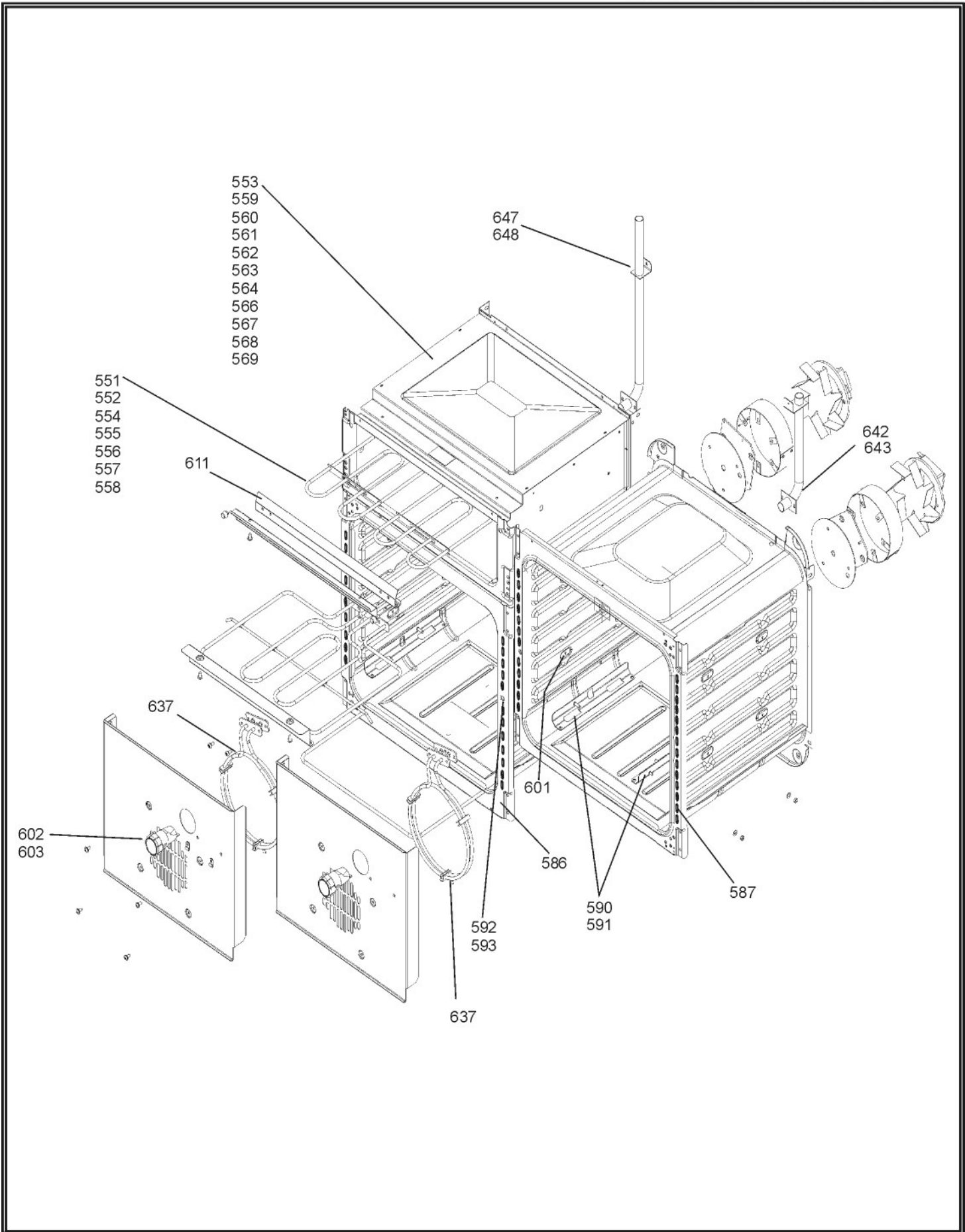
AGA LEGACY 44 USA
6922, 6982, 6983, 6984

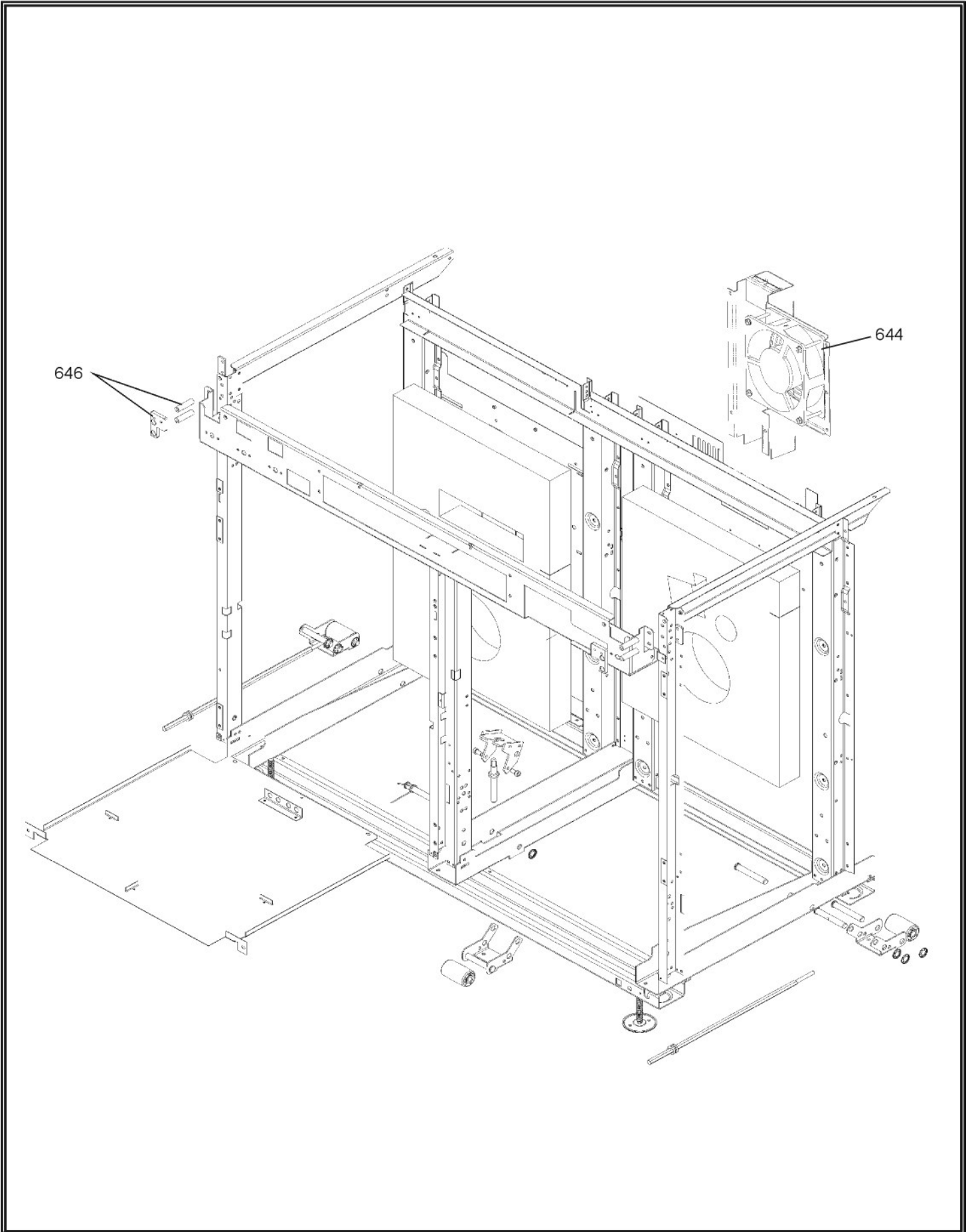
DSL 201 P00
DATE 10.11.03 ISSUE STATUS 01

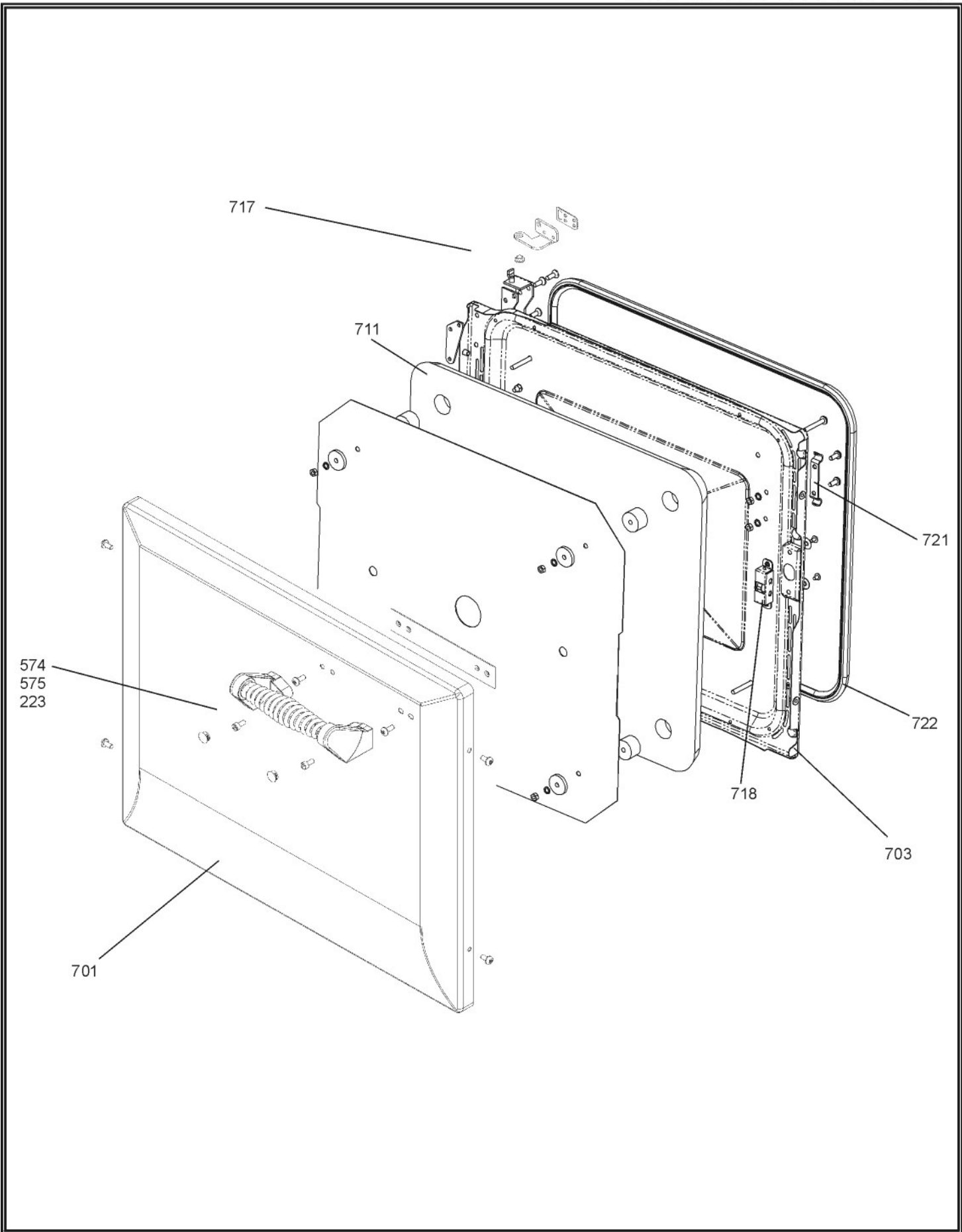


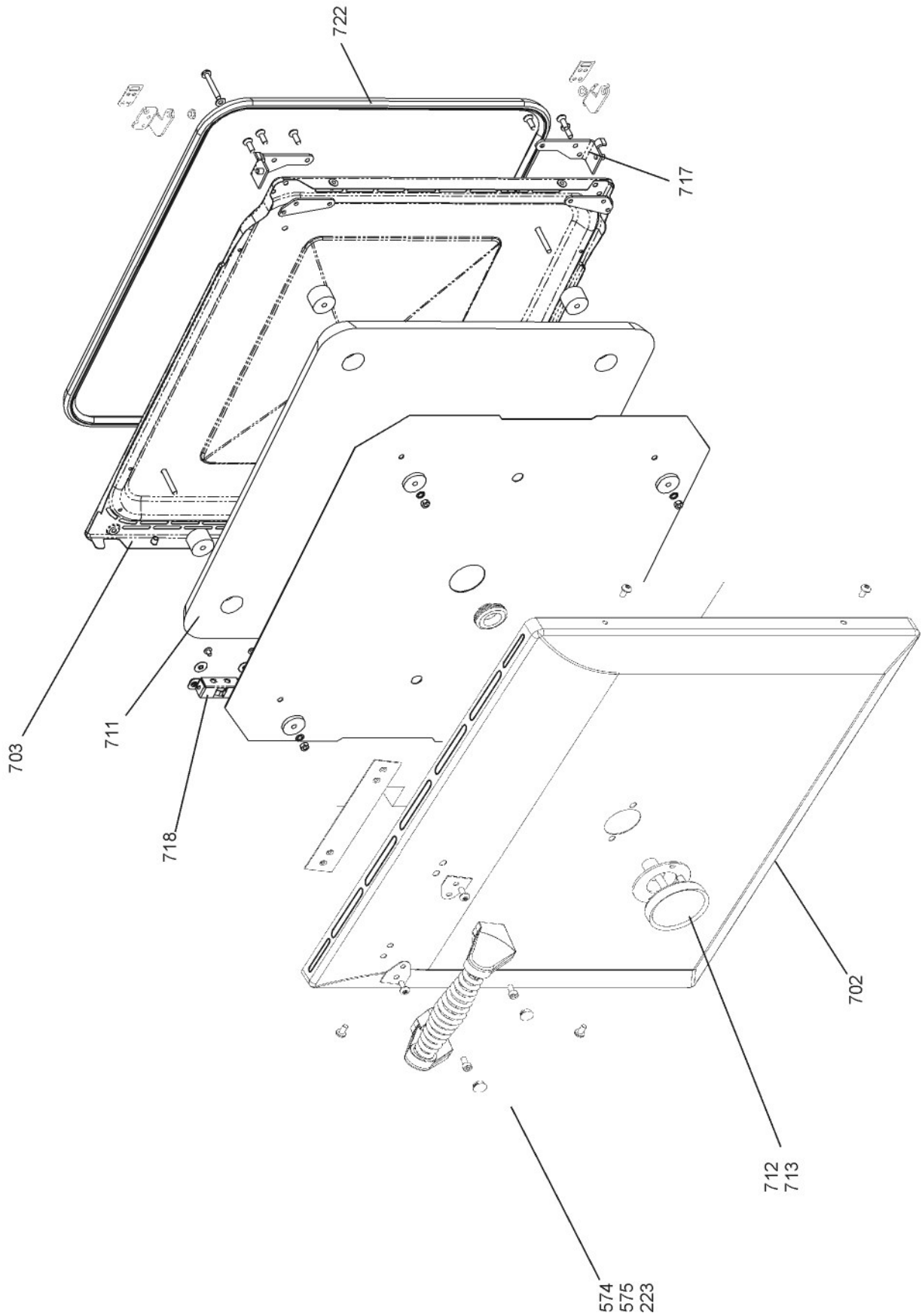


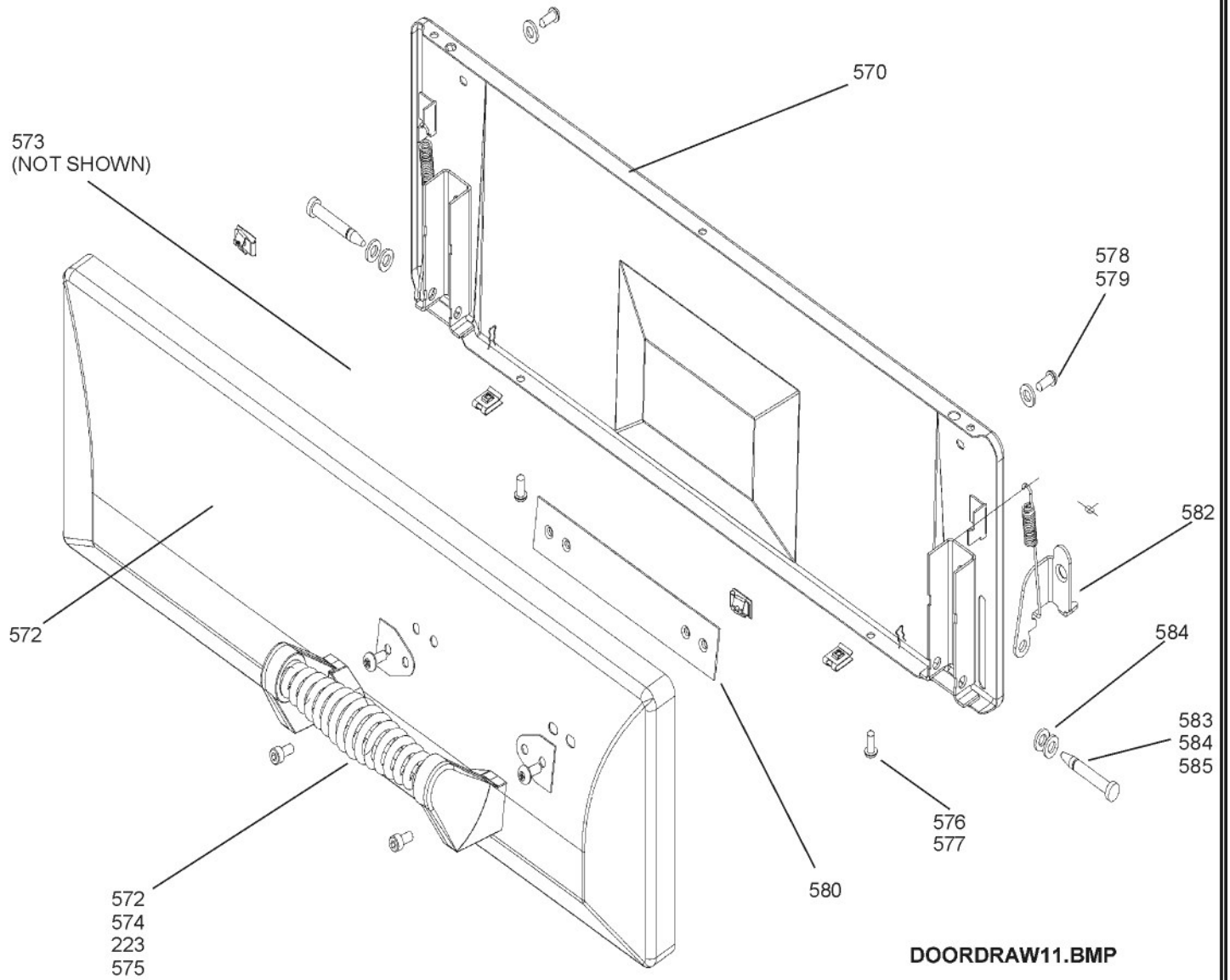


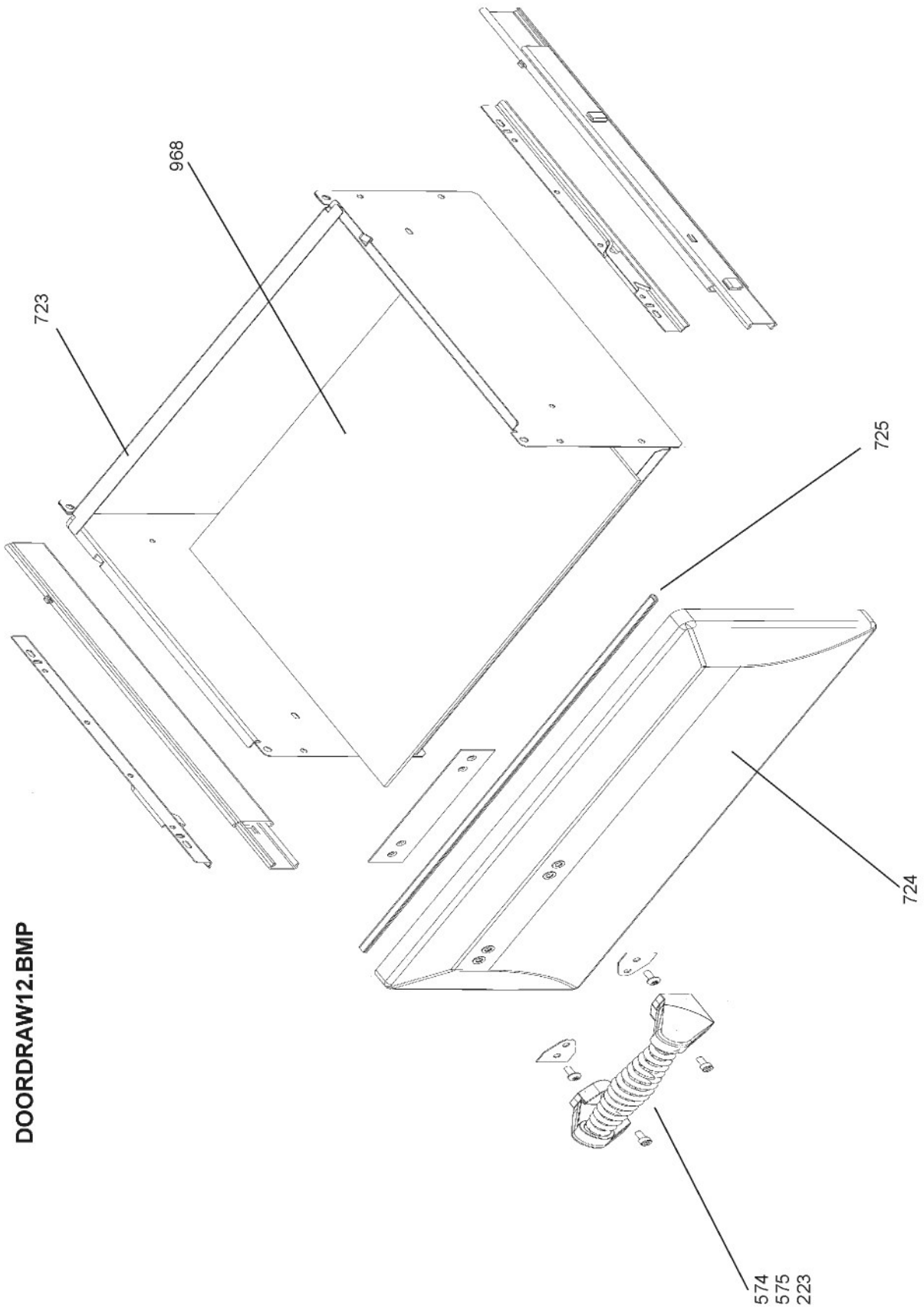




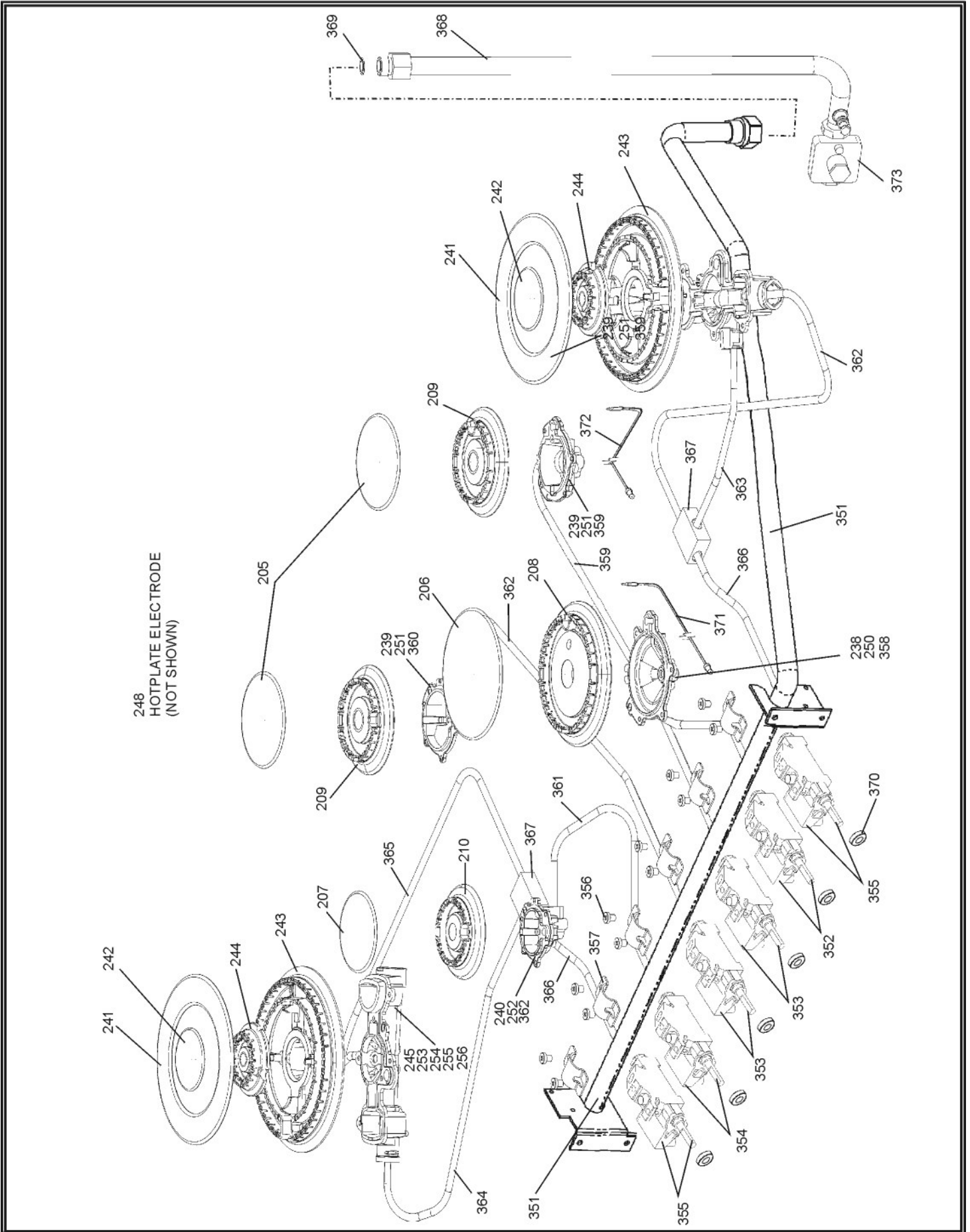


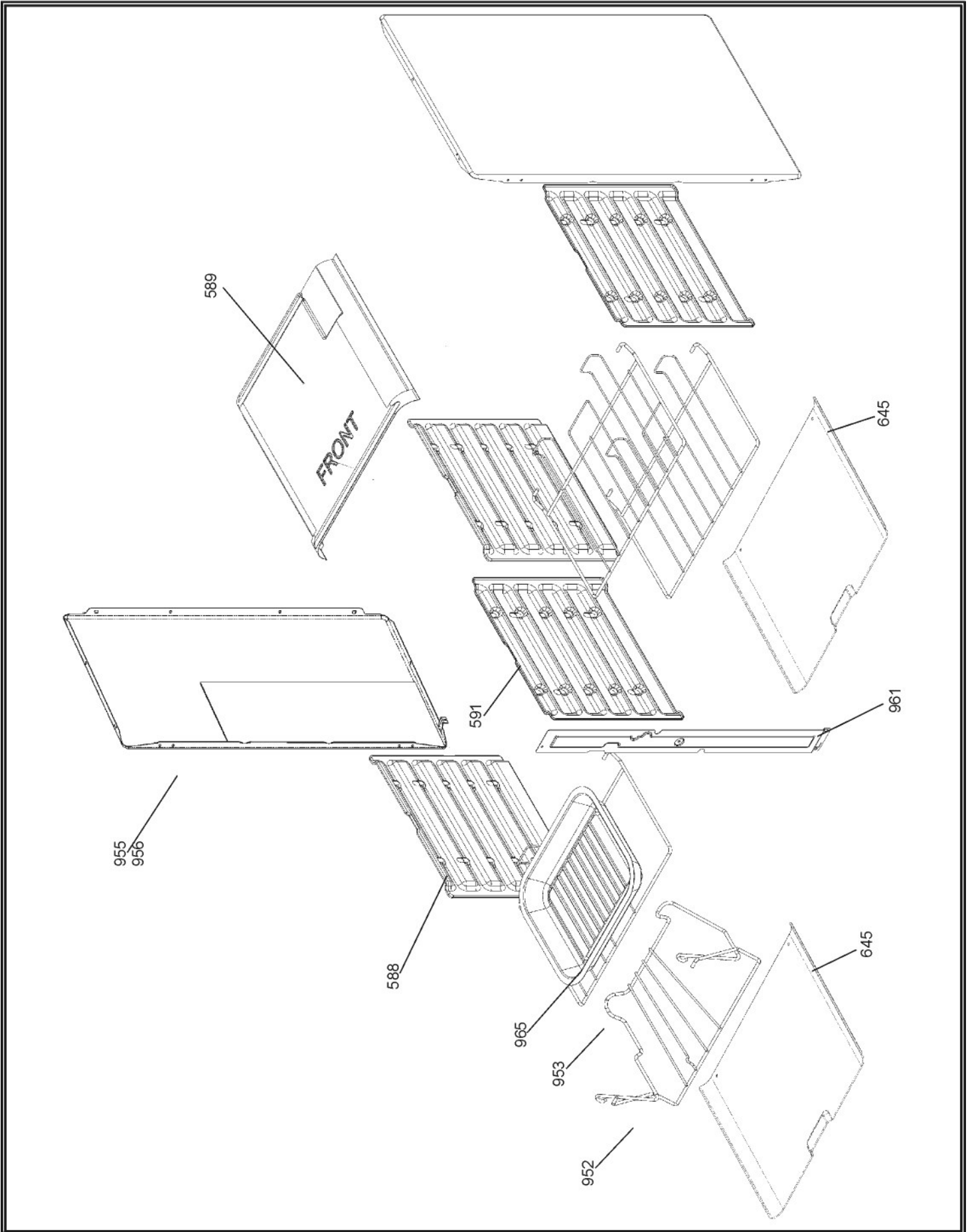


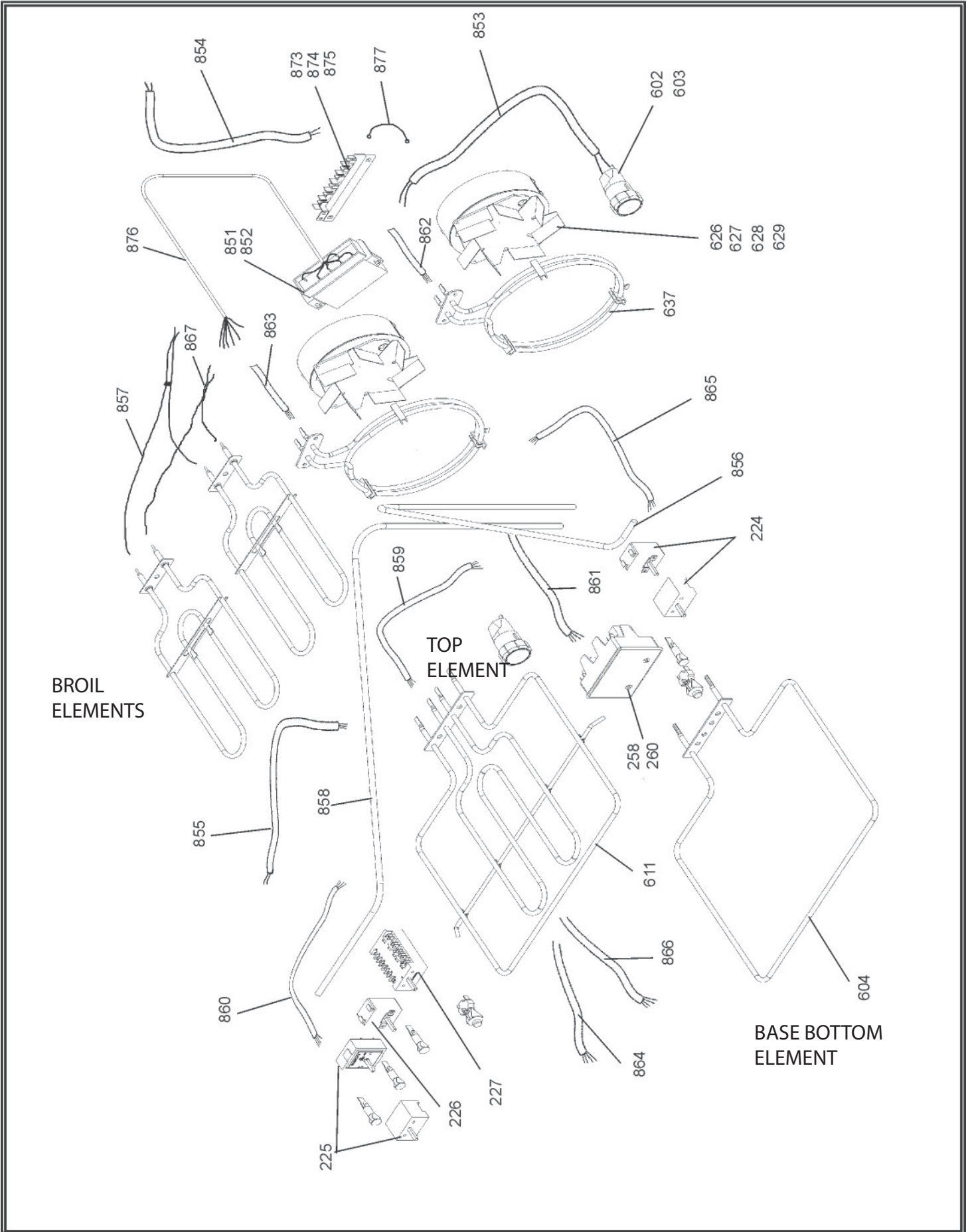




DOORDRAW12.BMP







POSITION OF DATA BADGE: IN BASE TRAY UNDER DRAWER.

INDEX OF COOKERS ON ATTACHED PARTS LIST

AGA LEGACY 44 DF/NG BLACK (6922)

AGA LEGACY 44 DF/NG GREEN (6982)

AGA LEGACY 44 DF/NG CREAM (6983)

AGA LEGACY 44 DF/NG CLARET (6984)

AGA LEGACY 44 DF/NG WHITE (7264)

ALL COOKERS ON THIS LIST FOR U.S.A./Canada

POSITION OF DATA BADGE: IN BASE TRAY UNDER DRAWER.

BROILER PAN ASSY.				
001		BROILER PAN ASSEMBLY - COMPLETE	1	A094257
002		BROILER PAN GRIP & SCREW	1	A094272
003		BROILER PAN GRID	1	P093359
004		RUNNERS LH & RH	2	P084747
005		WASHER M5 INT SHAKEPROOF	2	N003040
006		NUT M5 HEX	2	N003020
HOTPLATE GRATES/BURNER CAPS				
201		LH INNER HOTPLATE GRATE ASSY - GLOSS	1	P033782
202		LH OUTER HOTPLATE GRATE ASSY - GLOSS	1	P033783
203		RH INNER HOTPLATE GRATE ASSY - GLOSS	1	P033784
204		RH OUTER HOTPLATE GRATE ASSY - GLOSS	1	P033785
205		BURNER CAP SEMI RAPIDE	2	P024810
206		BURNER CAP RAPIDE	1	P024809
207		BURNER CAP AUX,Y	1	P024811
208		BURNER HEAD RAPIDE - FSD - REF 65759BF643	1	P028232
209		BURNER HEAD SEMI RAPIDE - FSD - REF 65760BF644	2	P028233
210		BURNER HEAD AUX,Y - FSD - REF 66038BF645	1	P028234
HOTPLATE FACIA PANEL				
211		HOTPLATE FACIA ASSEMBLY	1	A033885
212		SCREW M5 x 8 PHP NIB T'T	2	N003127
213		BLACK FIBRE WASHER	2	N003444
214		SCREW M5 x 8 PHP T'TITE	2	N003400
215		END CAP FABRICATION	2	A094397 0644
216		NUT M4 HEXAGON	4	N003019
217		SHAKEPROOF WASHER M4 INT	4	N003039
219		OVEN LIGHT SWITCH	2	A033882
220		NAMEBADGE KIT	1	A033884
221		110 HAND RAIL	1	P026739
222		SCREW M5 x 16 CAP HEAD SOCKET	2	N003474
223		PROTECTION PLUG PACK	1	P028910
224		THERMOSTAT SWITCH ASSEMBLY - RH	1	A033658
225		ENERGY REGULATOR & SWITCH ASSEMBLY	1	A033657
226		THERMOSTAT 230v	1	P026819
227		MULTIFUNCTION SWITCH SELECTOR	1	P028728
228		SIGNAL LAMP	4	P093040
CONTROL KNOBS				
229		CONTROL KNOB	6	P033572
230		THERMOSTAT KNOB	2	P033573
231		BROILER CONTROL KNOB	1	P033574
232		MULTIFUNCTION OVEN CONTROL KNOB	1	P033575
HOTPLATE/FLUE TRIM				
233		HOTPLATE	1	026706 0766

POSITION OF DATA BADGE: IN BASE TRAY UNDER DRAWER.

234	SCREW M5 x 12 PHP	6	N003052
235	HOTPLATE WASHER	14	P026849
236	HOTPLATE GRATE LOCATION PIN	8	P028972
237	WASHER M5 ALUM	8	N003053
238	HOTPLATE BURNER KIT RAPIDE	1	A033916
239	HOTPLATE BURNER KIT SEMI RAPIDE	2	A033917
240	HOTPLATE BURNER KIT AUX,Y	1	A033918
241	TRIPLE RING WOK BURNER OUTER RING	2	P026991
242	TRIPLE RING WOK BURNER INNER RING	2	P026992
243	TRIPLE RING WOK BURNER OUTER CAP	2	P026993
244	TRIPLE RING WOK BURNER INNER CAP	2	P026994
245	WOK BURNER KIT	2	A033919
246	SCREW M3 x 8 PHP ST ST	8	N003476
247	CUP WASHER No4 SCREW SIZE	8	N003481
248	HOTPLATE ELECTRODE	4	P026089
249	SCREW M3 x 6 PHP TAPTITE	6	N003376
250	INJECTOR RAPIDE NG - No170	1	P033347
251	INJECTOR SEMI RAPIDE NG - No150	2	P033348
252	INJECTOR AUX,Y NG - No107	1	P033349
253	INJECTOR NG - No71 - WOK INNER	2	P033350
254	INJECTOR NG - No93 - WOK OUTER	2	P033351
255	TRB INJECTOR HOLDER CLIP	2	P027690
256	TRB ELECTRODE	2	P027689
258	TIMER & KNOBS KIT	1	A033886
259	TIMER KNOB - SET OF 2	1	A030043
260	TIMER MOUNTING BRACKET	1	098290
261	SCREW M4 x 8 PHP TAPTITE	2	N003169
262	SHAKEPROOF WASHER M4 INT	2	N003039
263	FLUE TRIM ASSEMBLY	1	A026720
264	FLUE TRIM EXTENSION KIT	1	A033809
266	SCREW M4 x 8 CSK HP TAPTITE	4	N003279
268	SCREW M4 x 10 PHP REAM T'T ZINC	2	N003394
269	AGA LEGACY SPLASHBACK	1	033648 0861
270	SCREW M5 x 10 BUTT HEAD SOCK BLACK	2	N003467
271	WASHER 11.1 x 5.5 x 0.8TH	2	N003357
272	NUT M5 HEX	2	N003020
	GAS RAIL/VALVES/INJECTORS/BURNERS & PIPES		
351	GAS RAIL FABRICATION	1	P033392
352	CONTROL VALVE KIT - RAPIDE	1	A033912
353	CONTROL VALVE KIT - SEMI RAPIDE	2	A033913
354	CONTROL VALVE KIT - AUX,Y	1	A033914
355	CONTROL VALVE KIT - TRIPLE BURNER	2	A033915
356	SCREW M5 x 8 POZI CH HD MACHINE	12	N003486
357	SADDLE VALVE BRACKET	6	P027818
358	PIPE ASSY - RH RAPIDE BURNER	1	P033026
359	PIPE ASSY - RH SEMI RAPIDE BURNER	1	P033027
360	PIPE ASSY - LH SEMI RAPIDE BURNER	1	P033025
361	PIPE ASSY - LH AUX,Y BURNER	1	P033024
362	PIPE ASSY - TRB TO 3-WAY BLOCK - RH	1	P028976
363	PIPE ASSY - TRB TO 3-WAY BLOCK - RH	1	P028983

POSITION OF DATA BADGE: IN BASE TRAY UNDER DRAWER.

364	PIPE ASSY - TRB TO 3-WAY BLOCK - LH	1	P028973
365	PIPE ASSY - TRB TO 3-WAY BLOCK - LH	1	P028974
366	PIPE ASSY - 3-WAY BLOCK TO TAP	2	P030586
367	3-WAY INLET BLOCK	2	P027066
368	GOVENOR TO GAS RAIL LINK PIPE	1	P033394
369	GAS RAIL SEALING WASHER	1	P033623
370	IGNITION SWITCH ACTUATOR	6	P032121
371	FSD PROBE 600mm - REF E112399L1	4	P028226
372	FSD PROBE 600mm - REF E112974L1	2	P028236
373	GOVERNOR	1	P033395
	BROILER CHAMBER ASSEMBLY		
551	BROILER ELEMENT REFLECTOR ASSEMBLY	1	A093030
552	BROILER ELEMENT ASSEMBLY	1	A033656
553	BROILER CHAMBER TOP INSULATOR	1	P087107
554	SCREW M5 x 12 PHP	4	N003052
555	SHAKEPROOF WASHER M5 INT	2	N003040
556	ELEMENT SUPPORT	1	093037
557	SCREW M5 x 12 PHP NICKLE/CHROME	2	N003052
558	No6 CAPTIVE NUT SNU 2811/17	2	N001920
559	LAGGING BROILER	1	P035247
560	BROILER FLUE ASSEMBLY	1	A026011
561	SCREW No6 x 1/2" PHP S'TAP AB	4	N001431
562	BROILER CHAMBER HEAT DEFLECTOR	1	084108 0728
563	FIBRE WASHER M4	2	N003219
564	SCREW No6 x 10 PHP S'TAP 'B'	2	N001582
566	SCREW M5 x 12 CHP TAPTITE	2	N003311
567	BLACK FIBRE WASHER	2	N003444
568	SCREW M5 x 12 PHP T'TITE	2	N003253
569	BROILER DOOR BUMP STOP	2	P080296
570	BROILER INNER DOOR FABRICATION	1	A095378 0792
571	No6 CAPTIVE NUT SNU 3716	2	N003197
572	BROILER DOOR OUTER PANEL - 6982	1	A026756 0725
572	COLOUR MATCHED DOORS SET - 6983	1	A033924
572	BROILER DOOR OUTER PANEL - 6984	1	A026756 0733
572	BROILER DOOR OUTER PANEL - 6922	1	A026756 0766
572	BROILER DOOR OUTER PANEL - 7264	1	A026756 0750
573	OVEN DOOR INSULATION	1	P033692
574	DOOR HANDLE KIT	1	A030064
575	SCREW M5 x 16 CAP HEAD SOCKET	2	N003474
576	FIBRE WASHER M4	2	N003219
577	SCREW No6 x 10 FHP S'TAP AB	2	N003452
578	SCREW No8 x 16 FHP S'TAP AB	2	N003287
579	FIBRE WASHER M4	2	P095367
580	DOOR HANDLE SUPPORT	1	026812
581	BRIGHT WASHER	4	N003034
582	BROILER DOOR HINGE ARM SET	1	A090829
583	HINGE PIN	2	P080336
584	BROILER DOOR SPRING (STRONG)	2	P094268
585	CIRCLIP ANDERTON 1100. REF 12	2	N003261

POSITION OF DATA BADGE: IN BASE TRAY UNDER DRAWER.

COOKER CHASSIS LH & RH				
586		MULTIFUNCTION OVEN FABRICATION - LH	1	A033635 0792
587		FANNED OVEN FABRICATION - RH	1	A033637 0792
588		REMOVABLE OVEN SIDE	4	069661 0792
589		REMOVABLE OVEN ROOF	1	075226 0792
590		OVEN RUNNER FABRICATION - LH	2	A097330
591		OVEN RUNNER FABRICATION - RH	2	A097329
592		DOOR KEEP	1	P092045
593		NUT M6 HEX	1	N003385
594		LOCKUT NUT	2	P078247
595		FRONT ROLLER & JACKING KIT	1	A097338
596		REAR ROLLER & JACKING KIT	1	A097341
597		LEVELLING FOOT FABRICATION	1	A095726
598		STANDARD PLINTH KIT	1	A024209
599		SCREW No8 x 25 PHP S'T AB	3	N003167
600		LOKUT NUT (ITW 212-180402-14CE)	3	P080277
601		HANGING SCREW KIT	1	A096878
602		LAMPHOLDER & BULB - 120V	2	P033447
603		OVEN LIGHT BULB - 120V	2	P033451
604		ELEMENT & REFLECTOR ASSY	1	A033585
605		SCREW M5 x 8 PHP NIBBED TAPTITE	2	N003127
606		SCREW No8 x 1/2" PHP S'TAP AB	2	N001780
607		SHAKEPROOF WASHER M5 INT	2	N003040
609		LOWER OVEN ELEMENT	1	P033455
610		SHAKEPROOF WASHER M4 INT	2	N003039
611		TOP ELEMENT HEAT SHIELD	1	093110 0792
612		SCREW M5 x 12 PHP	2	N003052
613		SCREW M5 x 12 PHP TAPTITE	2	N003253
614		SHAKEPROOF WASHER M5 INT	2	N003040
615		OVEN LAGGING	1	P095347
616		TOP OVEN ELEMENT	1	P033452
617		SHAKEPROOF WASHER M6 INT	2	N003041
618		SCREW No6 x 12 PHP	2	N003430
619		THERMOSTAT PHIAL CLIP	1	P087002
620		SCREW No6 x 10 PHP S'T AB	2	N001634
621		WASHER M4	7	N003265
622		NUT M4 HEX	3	N003269
623		SCREW M4 x 12 PHP	2	N003264
624		No8 CAPTIVE NUT SNU 0536	4	N000935
625		OVEN BAFFLE ASSEMBLY	2	A033655
626		OVEN FAN	2	P084770
627		WASHER M4	6	N003265
628		SHAKEPROOF WASHER M4 INT	6	N003039
629		NUT M4 HEX	6	N003269
630		ALUM FACED FIBREGLASS	1	P080055
631		FANNED OVEN BACK INSULATION	2	P094900
632		SCREW M5 x 12 PHP TAPTITE	2	N003253
633		SHAKEPROOF WASHER M6 INT	2	N003041
634		THERMAL CUT OUT	2	P093026
635		SHAKEPROOF WASHER M4 INT	2	N003039
636		SCREW No6 x 10 PHP S'TAP AB	2	N001634

POSITION OF DATA BADGE: IN BASE TRAY UNDER DRAWER.

637	ELEMENT & GASKET KIT	2	A033883
638	SCREW M4 x 12 PHP	3	N003264
639	SHAKEPROOF WASHER M4 INT	12	N003039
640	WASHER M4	7	N003265
641	SCREW No8 x 13 PHP S'TAP AB	4	N003266
642	FANNED OVEN FLUE TUBE	1	P027984
643	SCREW No8 x 1/2" PHP S'TAP AB	2	N001780
644	COOLING FAN	1	P033443
645	OVEN BASE TRAY	2	029081 0792
646	HANDLE MOUNT KIT	1	A030049
647	FLUE TUBE	1	P024106
648	SCREW No8 x 1/2" PHP S'TAP AB	2	N001780
	OVEN DOOR		
701	OUTER DOOR PANEL - LH - 6982	1	033610 0725
701	COLOUR MATCHED DOORS SET - 6983	1	A033924
701	OUTER DOOR PANEL - LH - 6922	1	033610 0766
701	OUTER DOOR PANEL - LH - 6984	1	033610 0733
701	OUTER DOOR PANEL - LH - 7264	1	033610 0750
702	OUTER DOOR PANEL - RH - 6982	1	033617 0725
702	COLOUR MATCHED DOORS SET - 6983	1	A033924
702	OUTER DOOR PANEL - RH - 6922	1	033617 0766
702	OUTER DOOR PANEL - RH - 6984	1	033617 0733
702	OUTER DOOR PANEL - RH - 7264	1	033617 0750
703	INNER DOOR PANEL ASSEMBLY - LH	1	A033611
703	INNER DOOR PANEL ASSEMBLY - RH	1	A033618
704	SCREW No8 x 16 FHP S'TAP AB	8	N003287
705	WASHER M4	8	N003265
706	SCREW No8 x 16 PHP S'TAP AB	4	N003287
707	CAPTIVE NUT PREVAILING TORQUE	10	N003196
708	SCREW M5 x 12 REC'D C,SK T'TITE	8	N003250
709	SCREW No8 x 19 CHP S'TAP AB	2	N001779
710	SCREW M4 x 10 PHP T'TITE 'ESLOK'	8	N003319
711	DOOR INSULATION - LH & RH	2	P033664
712	THERMODIAL - RH	1	P026736
713	THERMODIAL GASKET - RH	1	P098756
714	SHAKEPROOF WASHER M6 INT	2	N003041
715	NUT M6 HEX	2	N003021
716	WASHER M6	2	N003034
717	HINGES & SUPPORT BRACKET KIT	2	A087593
718	DOOR CATCH ASSEMBLY	2	A092044
719	SCREW CUP OD11.8 x ID5.5 x 2 HIGH	4	N003464
720	SCREW M4 x 6 PHP TAPTITE	4	N003343
721	HANDIRACK BRACKETS - SET OF 2 - LH	1	A090833
722	STRETCH SEAL (CLOSED) - LH	2	P098715
	DRAWER		
723	DRAWER ASSEMBLY	1	A033908
723	COLOUR MATCHED DOORS SET - 6983	1	A033924
724	DRAWER FRONT PANEL - 6982	1	A026778 0725

POSITION OF DATA BADGE: IN BASE TRAY UNDER DRAWER.

724		DRAWER FRONT PANEL - 6922	1	A026778 0766
724		DRAWER FRONT PANEL - 6984	1	A026778 0733
724		DRAWER FRONT PANEL - 7264	1	A026778 0750
725		DRAWER EDGE STRIP	1	P095465
		GENERATOR/WIRING		
851		6 OUTLET SPARK GENERATOR	1	P033459
852		SCREW M4 x 8 PHP	2	N003045
853		LIGHTS/NEUTRAL WIRING	1	P033667
854		COOLING FAN OPERATION WIRING	1	P033668
855		CUT OUT LINKS WIRING	2	P033669
856		RH OVEN WIRING	1	P033670
857		BROILER WIRING	1	P033672
858		MULTI FUNCTION OVEN WIRING	1	P033671
859		LH OVEN ELEMENT LINK WIRING	1	P033673
860		LH FACIA WIRING	1	P033674
861		TIMER WIRING	1	P033675
862		GROUND RH OVEN WIRING	1	P033676
863		GROUND LH OVEN WIRING	1	P033677
864		GROUND RH THERMOSTAT WIRING	1	P033678
865		IGNITION SWITCHES L2 WIRING	1	P033679
866		IGNITION SWITCHES L1 WIRING	1	P033680
867		IGNITION BROILER WIRING	2	P033681
868		SHAKEPROOF WASHER M6 INT	1	N003041
869		NUT M6 HEX	1	N003021
870		SCREW M5 x 10 PHP	1	N003064
871		SHAKEPROOF WASHER M5 INT	1	N003040
872		CABLE TIE INSULOID LKO	8	P010368
873		TERMINAL BLOCK & ADAPTOR ASSEMBLY	1	A033891
874		SCREW No8 x 1/2" PHP S'TAP AB	4	N001780
875		TERMINAL BLOCK INSULATION	1	P025656
876		HT LEADS	1	P033682
877		GROUNDING LINK	1	P033711
878		RH OVEN NEON WIRE	1	P036115
879		POWER LEAD & PLUG	1	P035972
		MISCELLANEOUS		
952		HANDIRACK	1	P075882
953		OVEN SHELF	6	P084112
955		SIDE PANEL & HEATSINK ASSEMBLY - LH	1	A033666
956		SIDE PANEL & HEATSINK ASSEMBLY - RH	1	A033665
958		SCREW No8 x 1/2" PHP S'TAP AB	4	N001780
959		SCREW M4 x 6 PHP T'TITE BLACK	4	N003343
961		FRONT INFILL PANEL	1	027617 0792
962		SCREW M3.5 x 16 FHP S'TAP PT	1	N003323
963		SCREW No8 x 12 PHP S'TAP AB	2	N003166
964		FIBRE WASHER M4	1	N003219
965		MEAT PAN WITH BUILT IN TRIVET	1	090144 0728
966		SCREW M3 x 16 FHP S'T AB BLACK	1	N003287
967		FABRICATED WRENCH	1	A030281

POSITION OF DATA BADGE: IN BASE TRAY UNDER DRAWER.

970		LP CONVERSION KIT ASSEMBLY	1	A033591
971		STABILITY BRACKET KIT	1	A033649
		OPTIONAL EXTRAS		
972		SIDE PANEL EXTENSION KIT	1	A033922
973		ADJUSTABLE PLINTH KIT	1	A097342
974		NG/LP CONVERSION KIT	1	A033921
976		HIGH ALTITUDE JET KIT - NG	1	A035182
977		HIGH ALTITUDE JET KIT - LPG	1	A035183
978		GRIDDLE	1	P028773
979		WOK RING	1	P029108
		LITERATURE		
975		INSTRUCTION PACK	1	P034072