

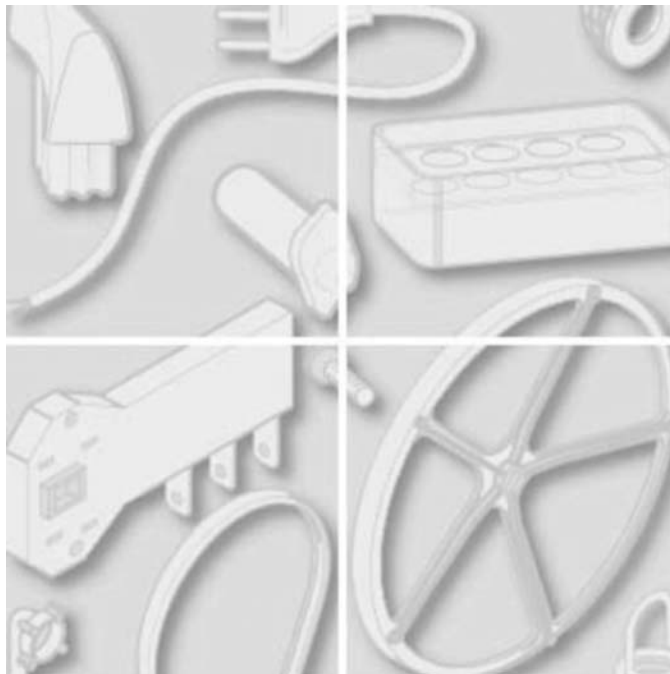


# ARISTON

---

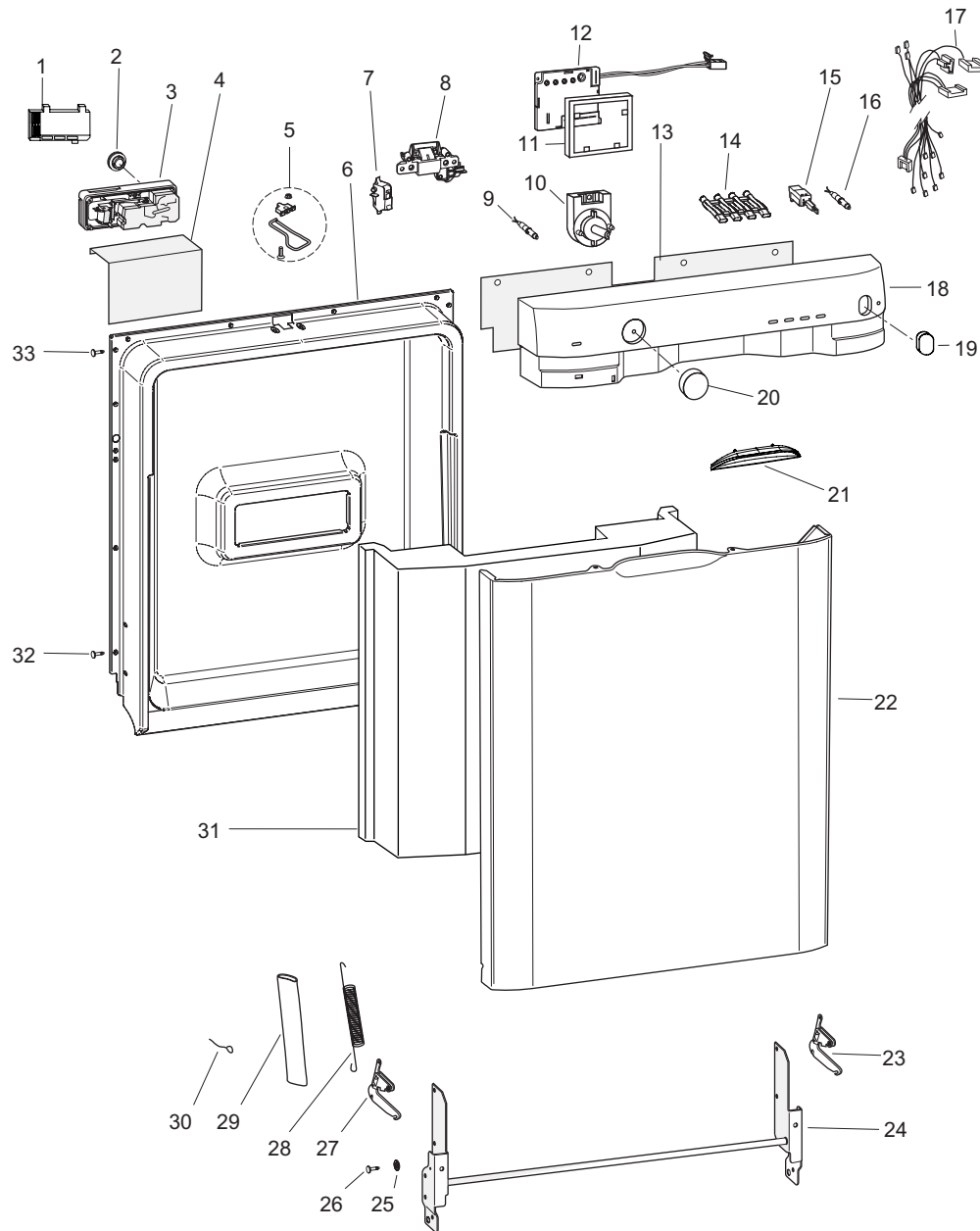
## REPAIR PART DIAGRAMS

---

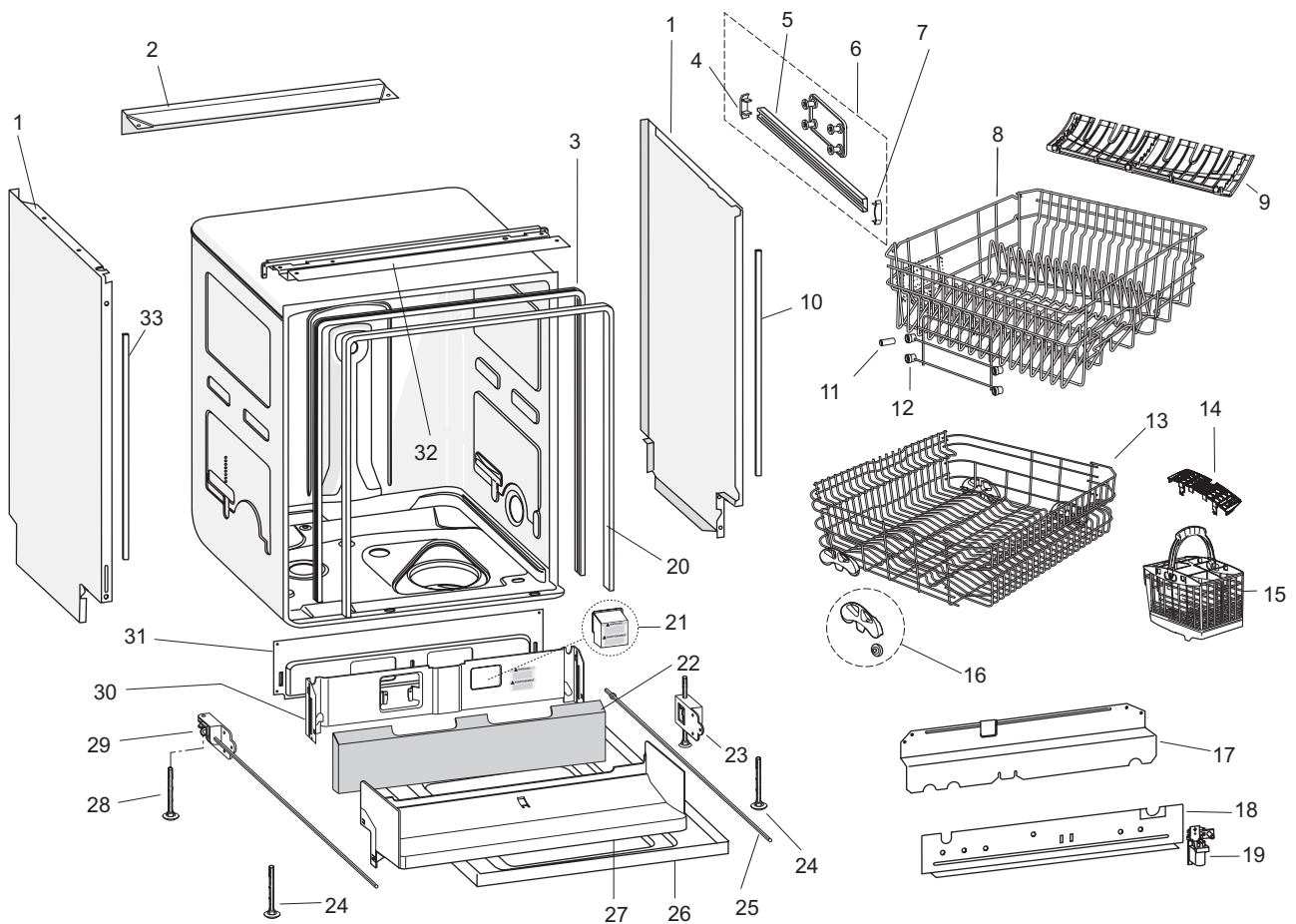


**PRODUCT: DISHWASHER**

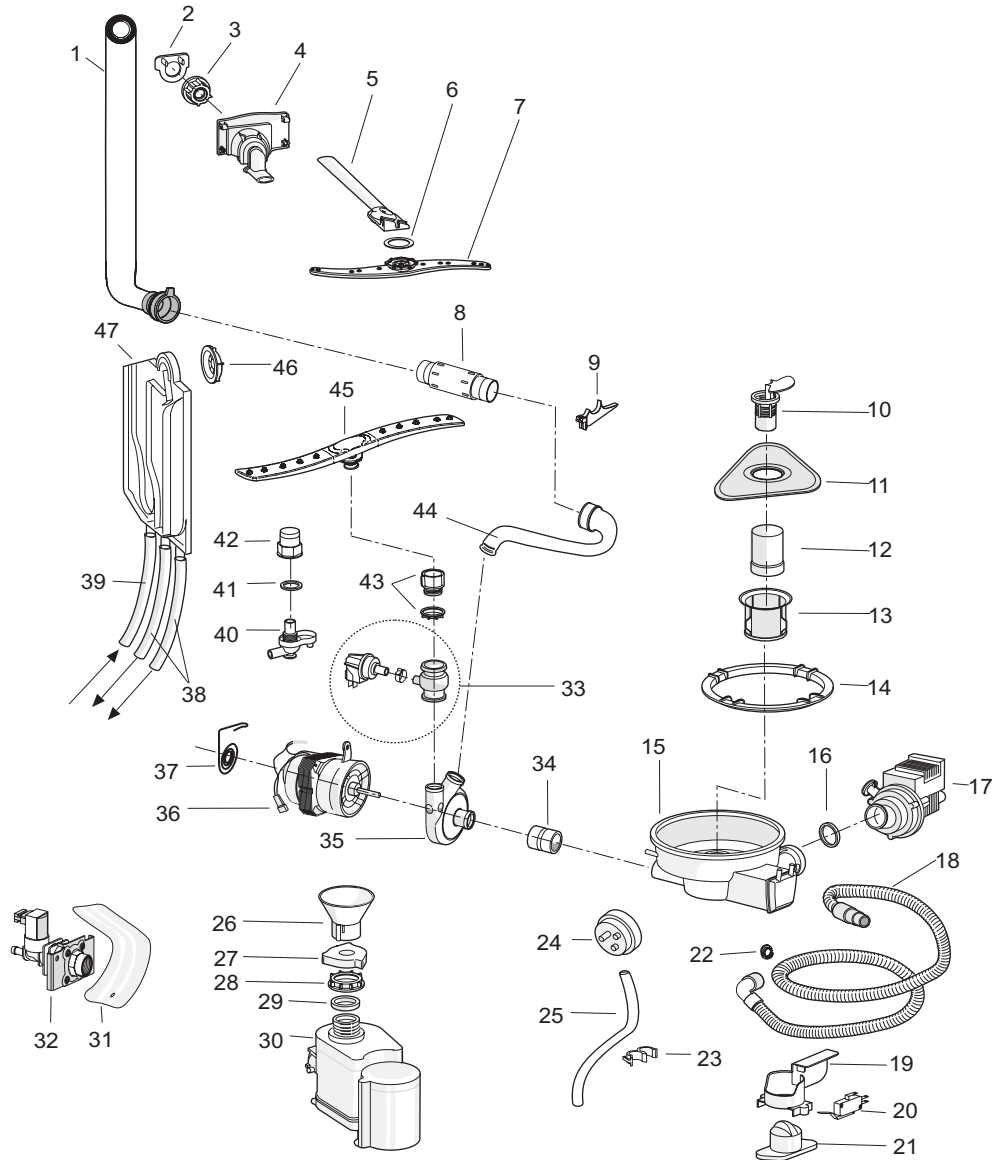
**MODEL: L 63 S**



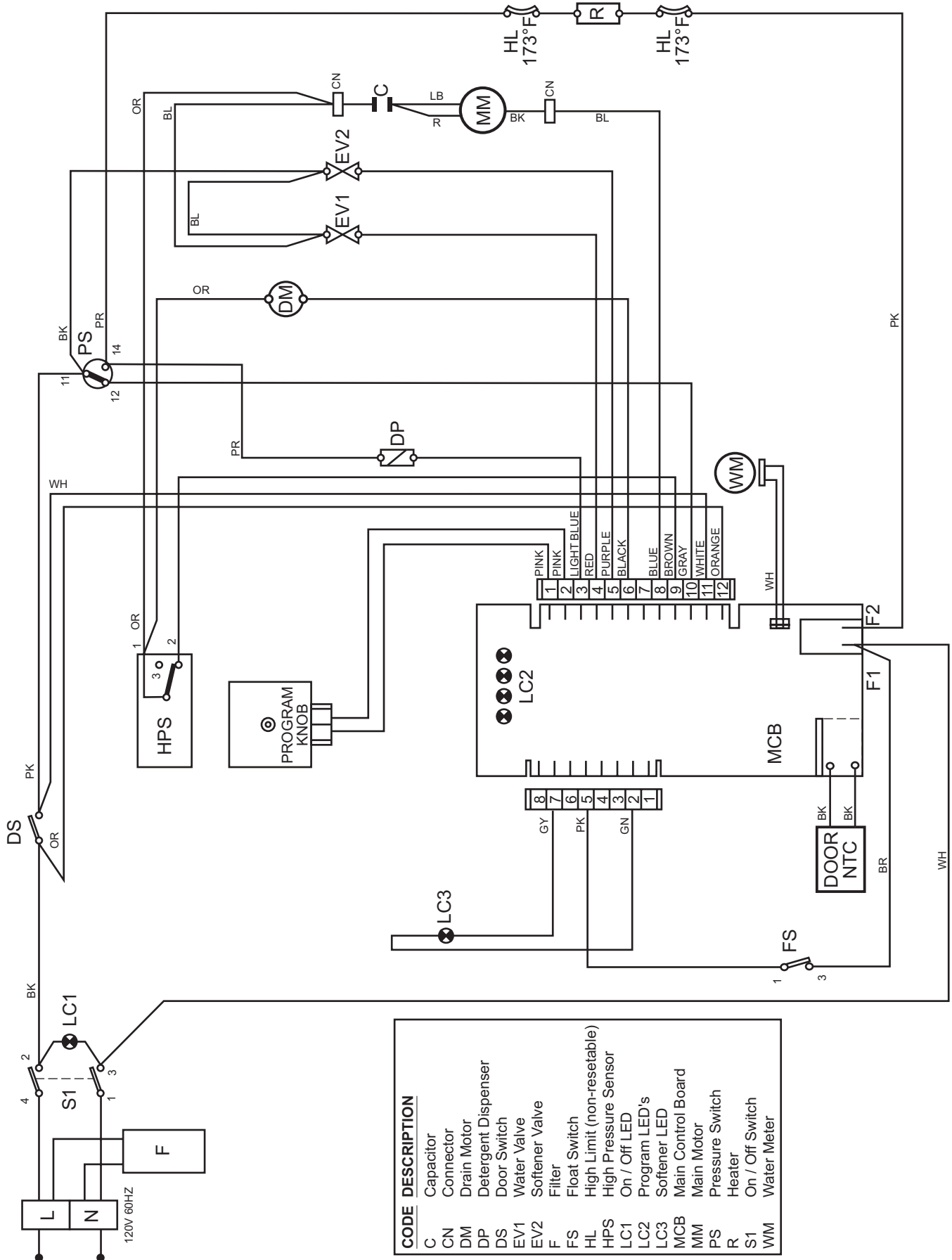
Item	Part #	Description	Item	Part #	Description
1	098134	Door, Detergent Dispenser	18	112342	Control Panel (SS)
2	051755	Cap, Rinse Agent	19	094975	On / Off Button (SS)
3	111619	Detergent Dispenser Assembly	20	094973	Knob (SS)
4	111618	Plastic Shield	21	094241	Soft Touch Insert
5	085024	Door Latch	22	094872	Outer Door (SS)
6	094695	Inner Door (SS)	23	054815	Hinge, Right
7	085358	Door Switch	24	096996	Bracket, Door Hinge
8	094128	Door Locking Assembly	25	058776	Washer
9	112066	LED, Softener	26	048504	Hinge Pin
10	085027	Selector Switch	27	054817	Hinge, Left
11	108957	Bracket, Control Unit	28	094111	Door Spring
12	111575	Control Unit w/ NTC	29	066426	Spring Sleeve
13	111617	Shield, Control Panel	30	075693	Pin
14	094123	LED Sequence Assembly	31	094147	Door Spacer
15	111658	On / Off Switch	32	094141	Screw, Door Panel
16	111660	On / Off Lamp	33	094120	Screw, Control Panel
17	112065	Wire Harness			



Item	Part #	Description	Item	Part #	Description
1	092835	Side Panel Kit, Left & Right	18	091601	Rear Support, Lower
2	033591	Rear Support, Upper	19	111621	Filter, Electronics
3	085019	Door Seal	20	054932	Support, Door Seal
4	094117	Runner Clip, Rear	21	112390	Electrical Box Cover
5	094116	Runner	22	111645	Toe Kick (BK)
6	094112	Roller Assembly	23	092821	Leveling Assembly, Right
7	094118	Runner Clip, Front	24	092555	Leveling Leg, Front
8	094233	Upper Rack	25	082476	Adjustment Rod
9	094140	Shelve, Upper Rack (GY)	26	092554	Bottom Pan
10	111639	Filler Strip, Right (GY)	27	111652	Door Extension (SS)
11	094189	Hub, Upper Rack Roller	28	092822	Leveling Leg, Rear
12	109840	Roller, Upper Rack	29	092820	Leveling Assembly, Left
13	094232	Lower Rack	30	111638	Support, Toe Kick
14	087980	Silverware Basket Divider	31	091599	Access Panel, Front
15	094137	Silverware Basket	32	079013	Door Spring Adjustment Panel Assembly
16	086474	Roller Assembly, Lower Rack	33	111640	Filler Strip, Left (GY)
17	091600	Rear Support, Middle			



Item	Part #	Description	Item	Part #	Description
1	094152	Tube, Upper Arm Feeder	25	094154	Hose
2	054925	Rear Guide, Upper Rack	26	005819	Funnel
3	054862	Ring Nut	27	041088	Cap
4	110526	Feeder Assembly, Upper Spray Arm	28	041090	Retainer Ring
5	110527	Feeder Tube	29	084600	Gasket
6	098769	Gasket, Upper Spray Arm	30	111610	Water Softener
7	075746	Spray Arm, Upper	31	086801	Shield, Water Valve
8	111611	Flow Through Heater (1200w)	32	111670	Water Valve, Single Solenoid
9	078394	Support	33	111631	Sensor Assembly, High Pressure
10	054863	Filter Basket	34	079016	Hose
11	054851	Filter Screen	35	055005	Main Pump
12	081164	Inner Filter	36	111606	Main Motor
13	061929	Fine Filter	37	076628	Support
14	054854	Sump Retainer Ring	38	054868	Hoses, Water Softener
15	094143	Sump	39	111855	Hose, Water Valve
16	054917	O-Ring, Drain Motor	40	094159	Overfill Sensor
17	111604	Drain Motor	41	075695	Gasket
18	111630	Drain Hose	42	094155	Cap
19	081162	Housing, Overflow Switch	43	075111	Locking Ring and Support
20	037205	Microswitch	44	091568	Hose
21	058843	Float	45	094182	Spray Arm, Lower
22	054830	Retainer, Drain Hose	46	054927	Ring Nut
23	095801	Support	47	110610	Water Inlet w/ Turbine
24	112062	Pressure Switch			



CODE	DESCRIPTION
C	Capacitor
CN	Connector
DM	Drain Motor
DP	Detergent Dispenser
DS	Door Switch
EV1	Water Valve
EV2	Softener Valve
F	Filter
FS	Float Switch
HL	High Limit (non-resettable)
HPS	High Pressure Sensor
LC1	On / Off LED
LC2	Program LED's
LC3	Softener LED
MCB	Main Control Board
MM	Main Motor
PS	Pressure Switch
R	Heater
S1	On / Off Switch
WM	Water Meter

DISHWASHER MODEL					
L 63 LI 640	N/A	LL 64 LL 65	LI 670 LI 700		
NUMBER OF LED's					
4	5	6	7		
FLASHING LED FAULT CODE				FAULT	TROUBLESHOOTING
1 ■ □ □ □	2 □ ■ □ □ □	3 □ □ ■ □ □ □	4 □ □ □ ■ □ □ □	Float Switch	Water in Base Pan
1 - 2 ■ ■ □ □	2 - 3 □ ■ ■ □ □	3 - 4 □ □ ■ ■ □ □	4 - 5 □ □ □ ■ ■ □ □	No Drain	Drain Motor Disabled Filters Clogged Drain Hose Blocked
1 - 3 ■ □ ■ □	2 - 4 □ ■ □ ■ □	3 - 5 □ □ ■ □ ■ □	4 - 6 □ □ □ ■ □ ■ □	Main Motor Pressure Switch Blocked Filter	Main Motor Disabled Faulty Pressure Switch Filters Blocked
1 - 4 ■ □ □ ■	1 - 4 ■ □ □ ■ □	1 - 4 ■ □ □ ■ □ □	1 - 4 ■ □ □ ■ □ □ □	Control Board	Software of Control Board not Recognized. Run Test Program.
2 □ ■ □ □	3 □ □ ■ □ □	4 □ □ □ ■ □ □	5 □ □ □ □ ■ □ □	Water Valve	Water Valve Disabled
2 - 3 □ ■ ■ □	3 - 4 □ □ ■ ■ □	4 - 5 □ □ □ ■ ■ □	5 - 6 □ □ □ □ ■ ■ □	Fill Fault	Water Valve Disabled Turbine Disabled Control Board Faulty
2 - 4 □ ■ □ ■	3 - 5 □ □ ■ □ ■	4 - 6 □ □ □ ■ □ ■	5 - 7 □ □ □ □ ■ □ ■	Heating Element	Heating Element Disabled High Limit Open Control Board Faulty
3 □ □ ■ □	4 □ □ □ ■ □	5 □ □ □ □ ■ □	6 □ □ □ □ □ ■ □	NTC	NTC Defective or Not Positioned. Control Board Faulty.
4 □ □ □ ■	5 □ □ □ □ ■	6 □ □ □ □ □ ■	7 □ □ □ □ □ □ ■	NTC	NTC Defective or Not Positioned. Control Board Faulty.