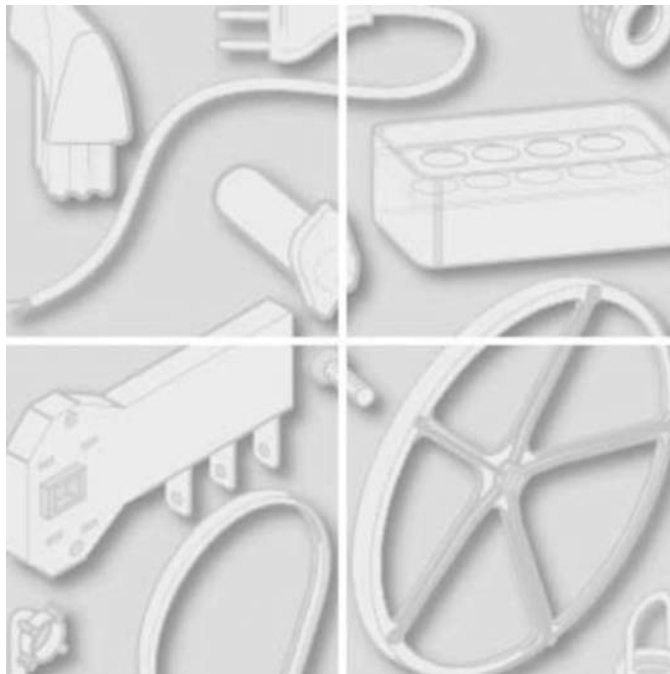




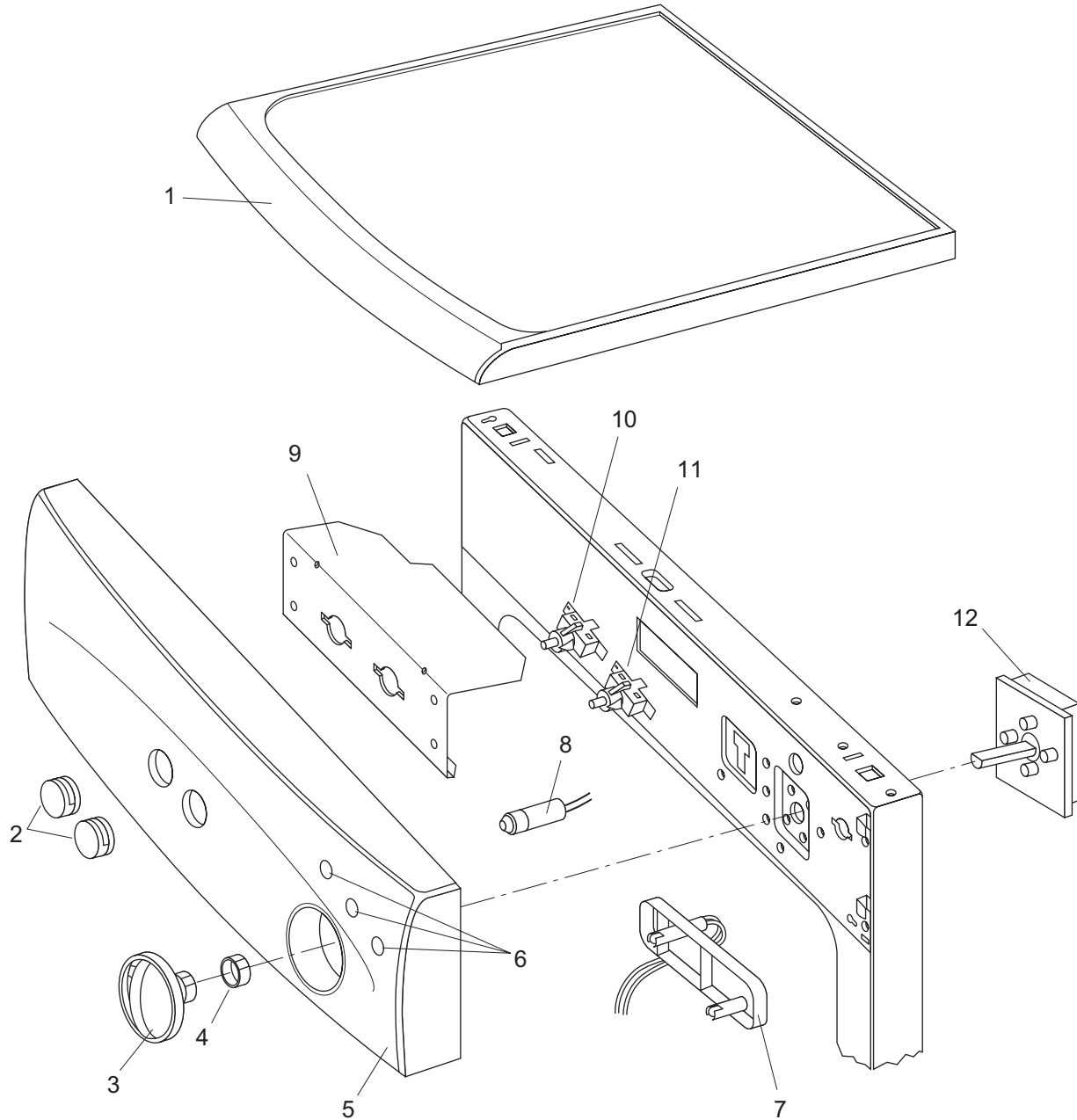
ARISTON

REPAIR PART DIAGRAMS

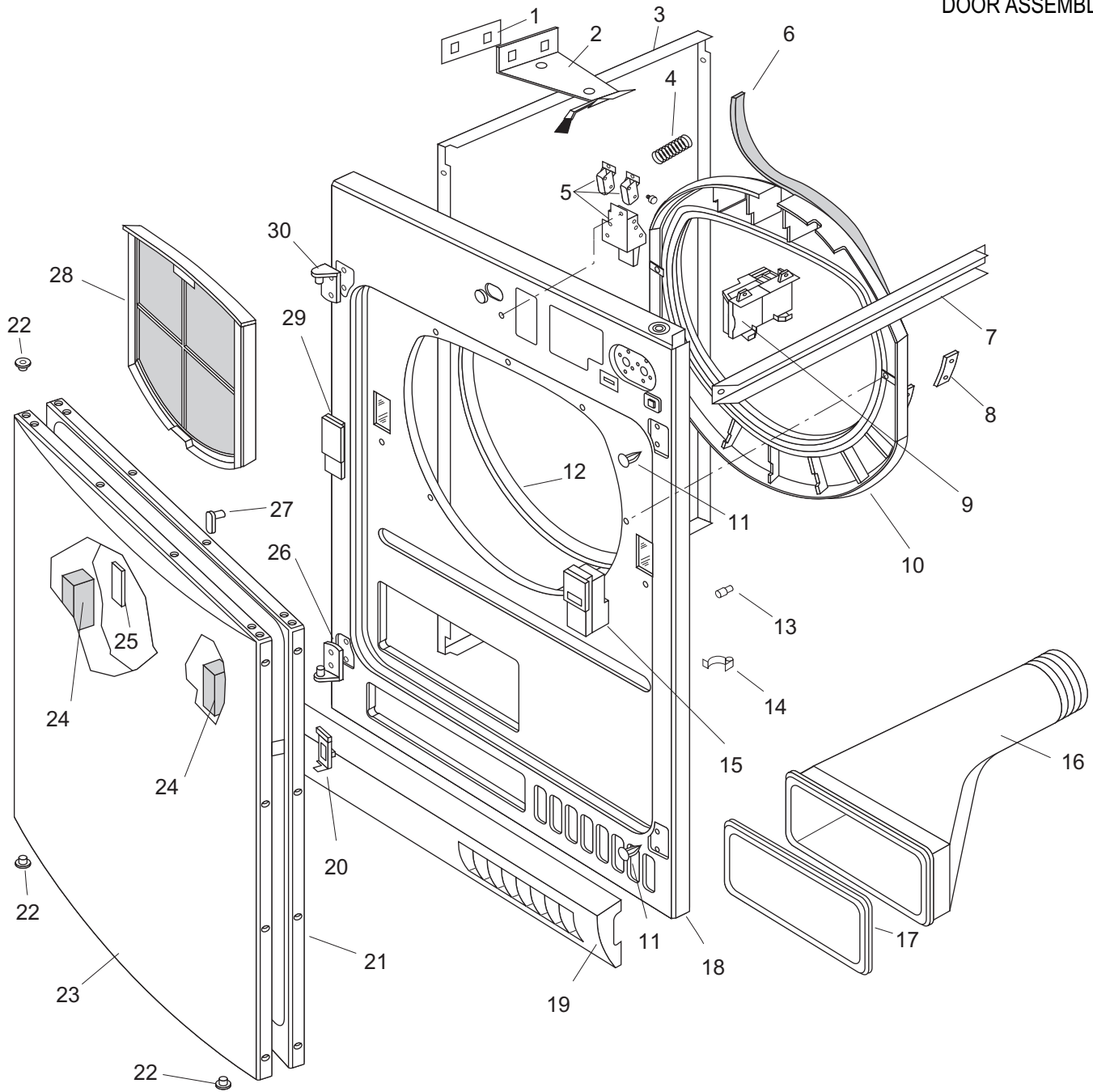


PRODUCT: DRYER

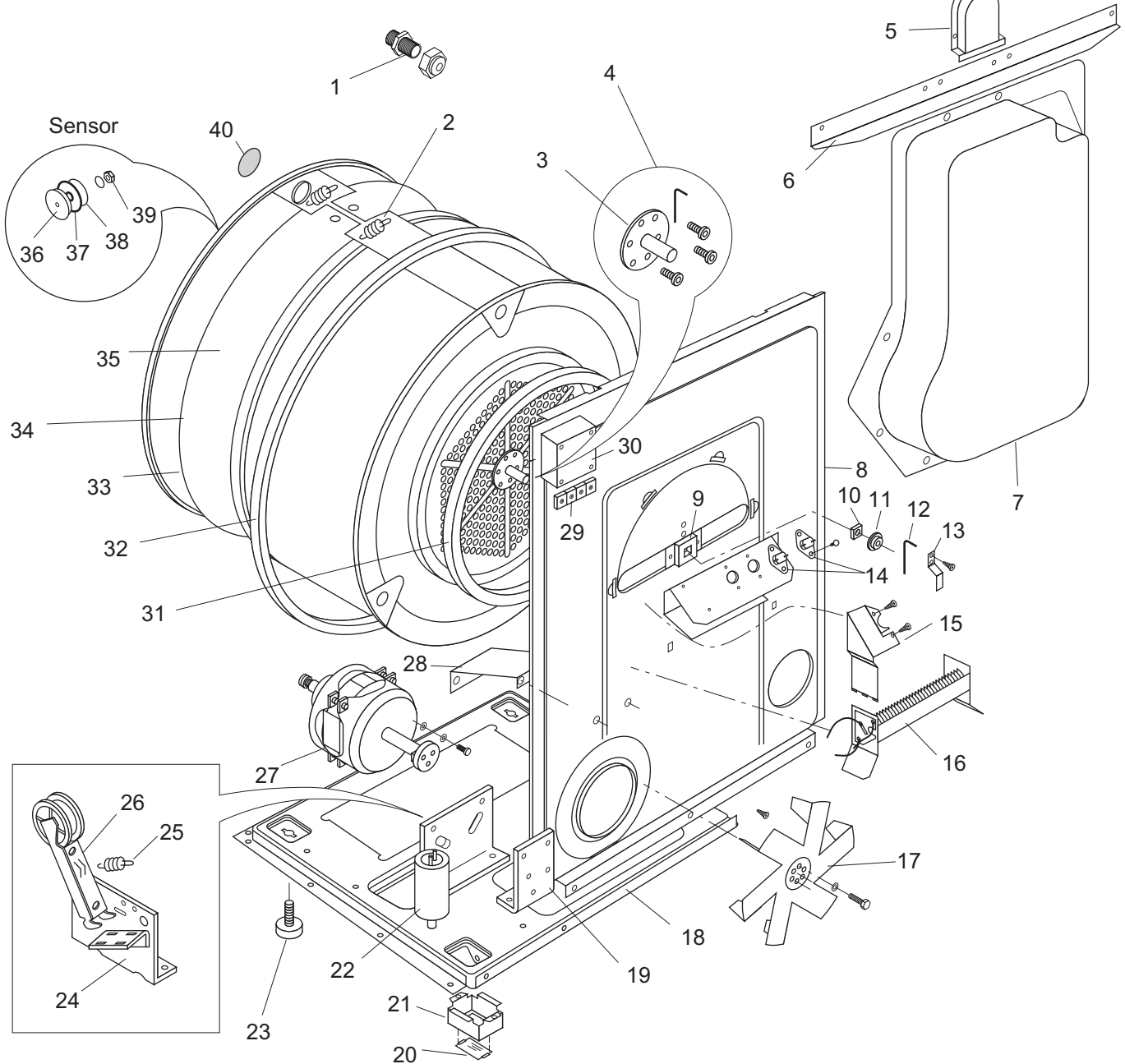
MODEL: A 45 V



Item	Part #	Description	Item	Part #	Description
1	096518	Top Panel, White	7	097190	Indicator Lamp Assembly
2	096513	Button, White	8	110029	Indicator Lamp
3	097175	Timer Knob	9	096275	Switch Support Plate
4	096273	Timer Knob Spring Clip	10	096377	On / Off Switch
5	110031	Control Panel Assembly	11	096277	Start Switch
6	096514	Lens	12	110030	Program Selector



Item	Part #	Description	Item	Part #	Description
1	096360	Insulating Strip	16	096385	Air Duct
2	096359	Sensor Brush & Support Arm	17	096386	Air Duct Seal
3	096361	Side Panel, White	18	110032	Front Panel, White
4	095532	Door Spring	19	096524	Toe Kick, White
5	110034	Microswitch Assembly	20	119841	Door Latch
6	098252	Felt Seal	21	095512	Door Liner
7	096382	Side Strut	22	095516	Door Latch Cap
8	095534	Front Bearing Pad	23	096283	Door Panel, White
9	110033	Dryness Sensor Module	24	095518	Door Spacer
10	095533	Front Support Assembly	25	095528	Door Catch Cap
11	095519	Plug, White	26	095527	Door Hinge, Lower
12	095529	Door Seal	27	810086	Microswitch Plunger
13	095525	Alignment Peg	28	095517	Filter
14	095524	Cable Clip	29	095515	Door Latch Cap
15	119844	Door Catch	30	095526	Door Hinge, Upper



Item	Part #	Description	Item	Part #	Description
1	102935	Cable Support	21	110046	Leveling Pad Support
2	096367	Spring	22	110041	Capacitor
3	095580	Drum Shaft Pin	23	110045	Leveling Leg
4	095655	Drum Shaft Kit	24	096392	Motor Support Bracket
5	095553	Rear Bearing Cover	25	095605	Pulley Wheel Spring
6	095568	Rear Panel Support	26	810260	Pulley Wheel & Arm
7	096387	Rear Cover	27	110042	Main Motor
8	110037	Rear Panel Assembly	28	096394	Motor Support Bracket
9	095565	Rear Drum Bearing Braket	29	110049	Junction Box
10	810184	Rear Drum Bearing	30	110048	Terminal Block
11	095549	Collar Drum Shaft	31	095558	Rear Drum Seal
12	095551	Drive Pin	32	095613	Belt
13	095552	Drum Grounding Strip	33	096362	Drum Assembly
14	096389	Thermostat Assmely (Cycling & High Limit)	34	096579	Sensing Strip Insulator
15	095570	Heat Shield	35	096577	Sensing Strip
16	110040	Heater Assembly	36	096575	Dryness Sensor
17	095654	Fan Blade	37	096581	Sensor Housing
18	110039	Base Plate	38	096583	Sensor Support
19	095603	Motor Support Bracket	39	096366	Nut
20	110047	Leveling Pad	40	095584	Cap

