

Model type:  
**TVM63XNA**

Commercial code:  
**F063076**

## General notes

### Technical Documentation guidelines

---

---

You can find herewith some generic information to simplify consulting of technical documentation:

1. Models of same range share the same exploded views, which report the richest set of spare parts: generally, a model does not necessarily have a related spare part for each particular shown on exploded views.
2. Some spare parts can not be represented directly on the exploded views (instruction booklets, specific kit, etc...). You can find those codes in the spare parts list with the same reference of particular where spares are installed or with references 099, 999. Instruction booklets, once managed, appear with 000 reference.
3. On the higher right site of each exploded view there is a serial number which indicates the beginning of the production of certain range: some models might have more than an exploded view for a given category, each distinguished by a different serial no. and linked to another spare parts list, In this case, serial no. is required to supply the right spare part code. Exploded view to be considered is the one with a more recent serial no. but previous than the one of the model that needs assistance.
4. Exploded views might require further updates even after publishing. Addition of new spares will go on following the already existing numeration references. Revision number of an exploded view is shown into last four digits of serial number into upper right hand corner.
5. The spare parts list associated to an exploded view shows related codes of spares managed for a certain model; for each spare part other informations are available:  
  
REF: reference no of spare into a table; SUBSTITUTE: list of spare(s) which can replace a code but that keeps same functional characteristics  
  
INDUSTRIAL CODE: list of variables of a model (shown into model label) where such spare is used; NOTICE: code of information(s) to refer to complete technical intervention, track for changes or to find correct spare part code.
6. Some notices, into a same section are generic therefore cannot be directly linked to a spare part. In order to assist a model in the best way as possible, it is helpful to pay attention to all notices and constantly verify documentation updates
7. Technical documentation cover shows model name and its commercial codes



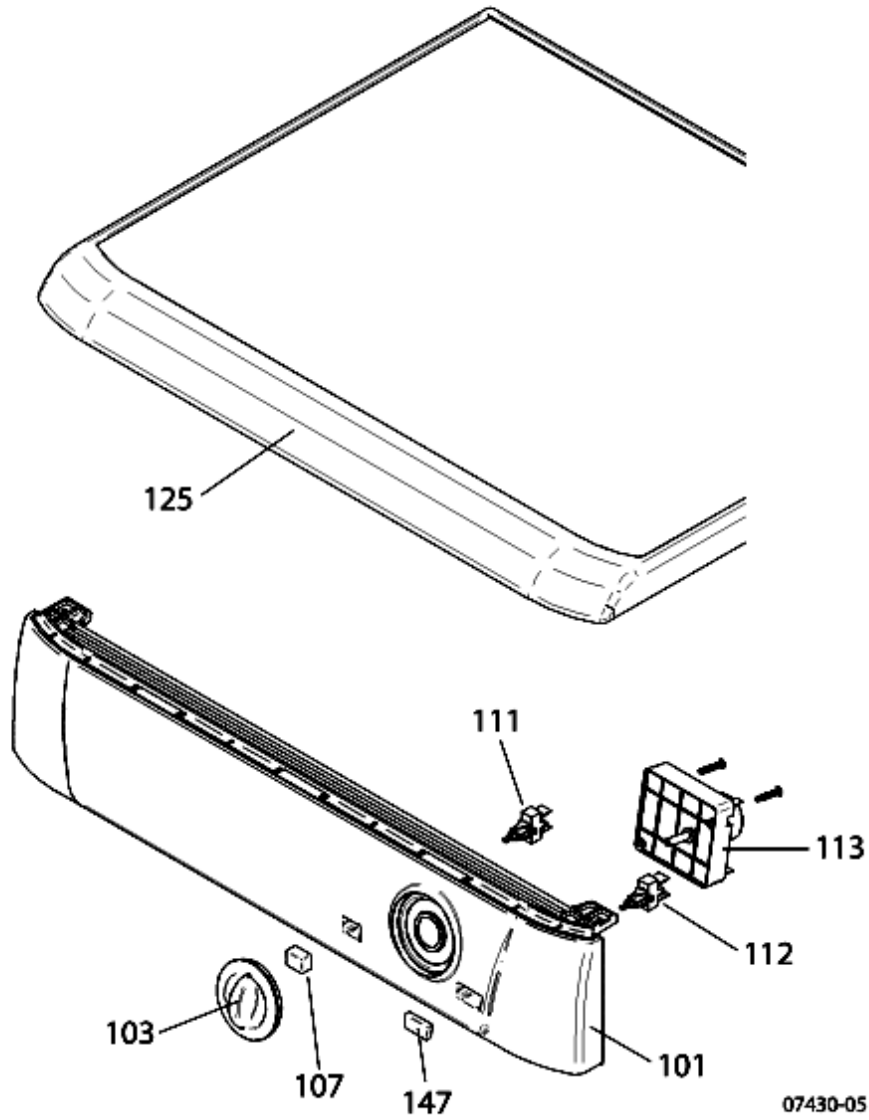
07303-20

Spare parts list

Ref.	Code	From	To S/N	Substitute	Description	Notice	Industrial
401	C00142621			1 x C00292290	base panel ul		
401	C00252668				bracket		
404	C00142775				adjustable foot ul		
405	C00142623				motor 353 60hz 120v		
408	C00142624				motor capacitor 25uf ul		
409	C00112153				impeller-inner		
410	C00116327				fan-outer		
420	C00145648				rear seal 17mm		
421	C00145707				stretch belt h9 1860mm (td)		
422	C00268493			1 x C00268492	drum vent td st/ul fixed shaft		
423	C00142627				rear panel ul		
424	C00142628				drum rear bearing teardrop		
424	C00250889				screw		
425	C00142631				drum shaft collar		
426	C00095551				drive pin		
427	C00192903				this item is not fitted to this model		
428	C00192903				this item is not fitted to this model		
429	C00142632				vent hose adaptor ul		
430	C00142633		10107...		heater 1.32kw usa	n4411a00	
430	C00283154	10108...			heater 1.32kw usa + columbo	n4411a00	
432	C00142635				thermostat kit		
445	C00142636				mains plug assembly usa ul		
450	C00112184				side panel phd white		
452	C00095553				rear bearing cover		
463	C00142638			1 x C00290730	drum lifter ul	n4412c01	
463	C00290730				drum lifter short curved ul (usa)	n4412c01	
468	C00142639				reversing timer 120v usa		
483	C00142651				terminal block 120v		
491	C00122256				screw 6 x 3/8		
491	C00260451				brace		
999	C00142716				belt installing tool dryer gda		

07430-05

Exploded views



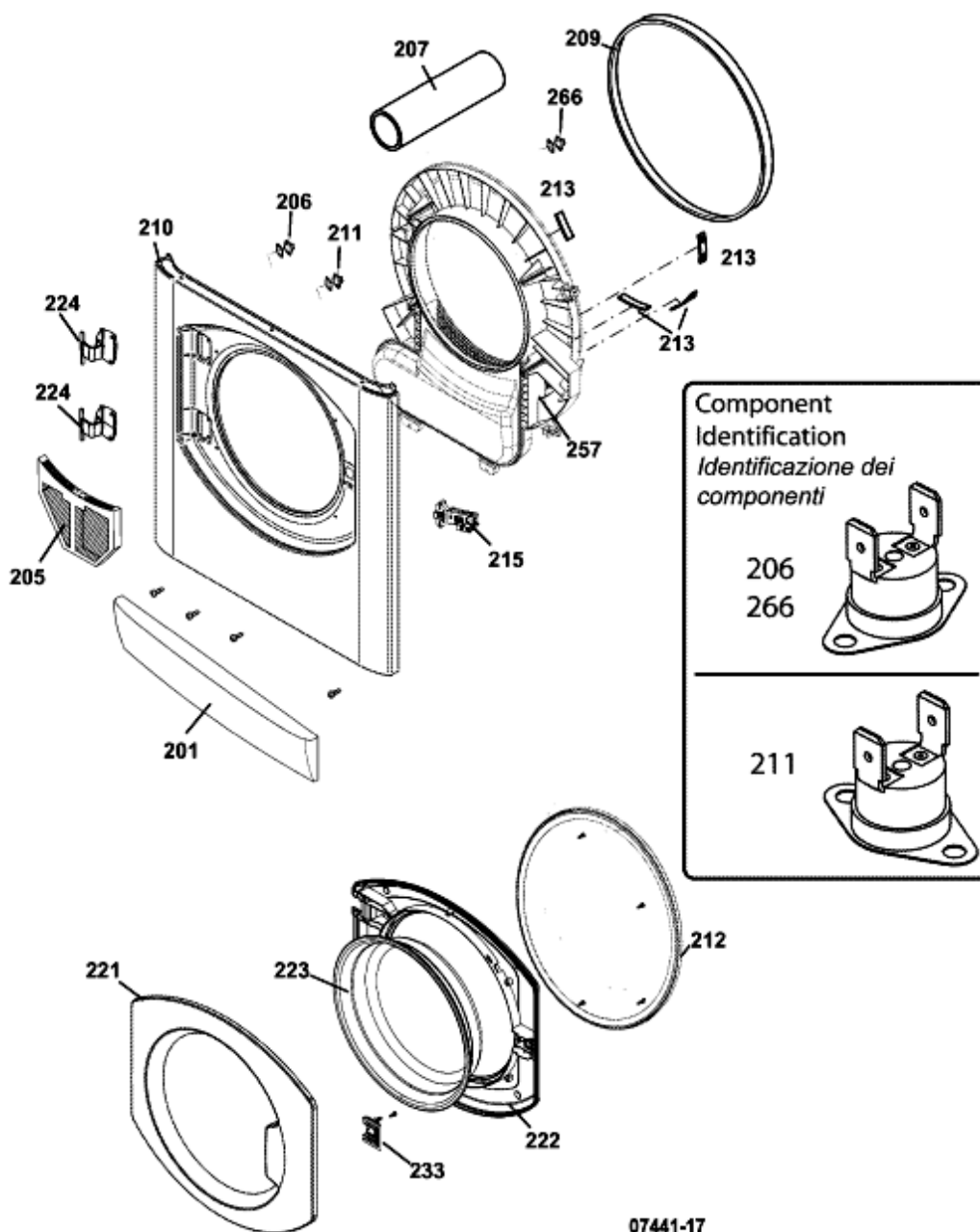
07430-05

Spare parts list

Ref.	Code	From	To S/N	Substitute	Description	Notice	Industrial
000	C00280677				kit connection w lvb-dryers vented	n1040357	
101	C00275200				console panel tvm63xna ul		
103	C00195542				compression ring		
103	C00275188				programme knob ul		
107	C00275199				button white ul		
111	C00095500				switch		
112	C00142602				start switch		
113	C00142608		00107...		timer mounting plate		95630760000
113	C00255416	00108...	31201...		timer bracket		95630760000
113	C00270858				timer crouzet 120v 60hz		
113	C00304976	31202...			timer bracket		95630760100
125	C00275197				worktop white ul		
147	C00275198				button white ul		

07441-17

Exploded views



07441-17

07441-17

Spare parts list

Ref.	Code	From	To S/N	Substitute	Description	Notice	Industrial
201	C00142609				kick strip white ul		
205	C00270779				filter round f/panel hb/ul		
206	C00303464	31202...			thermostat one shot 85°c		95630760100
207	C00142612		31201...		vent tube ul		95630760000
207	C00303457	31202...			vent tube ul (metal)		95630760100
209	C00142613				drum front seal 14mm		
209	C00276750				seal drum front 16mm vented	n4409k00	
210	C00252668				bracket		
210	C00261883				front panel white		
211	C00208247				eco stat 40°c		
212	C00112211				door seal vented grey	n4411g01	
212	C00286379			1 x C00112211	door seal vented white	n4411g01	
213	C00112144				bearing pad		
215	C00275218				door switch unit (td) ul		
221	C00275219				door trim - front white ul		
222	C00142617		31201...		door trim rear white ul		95630760000
222	C00304419	31202...			door trim rear white ul		95630760100
223	C00112192				door bowl		
224	C00254619				hinge		
233	C00142619				door latch (td)		
257	C00270778				air duct round vent hb/ul		
266	C00303464	31202...			thermostat one shot 85°c		95630760100
999	C00277631				service manual		



## Notices

## n1040357: Fixing bracket for installing Dryers on Washing Machines

---

The spare part KITS for installing the Dryers affected by this note on Washing Machines are the following:

- Spare part code C00115839 KIT for VENTED DRYERS - WHITE
- Spare part code C00114866 KIT for CONDENSER DRYERS - WHITE
- Spare part code C00149478 KIT with SHELF for CONDENSER/VENTED - WHITE
- Spare part code C00280677 (exC00142690) KIT VENTED DRYERS USA 2010 - white
- Spare part code C00280679 KIT VENTED DRYERS USA 2010 - SILVER
- Spare part code C00280681 (exC00142830) KIT CONDENSER DRYERS USA 2010 - white
- Spare part code C00280680 KIT CONDENSER DRYERS USA 2010 - SILVER

## n4411a00: USA VENTED HEATER CHANGES

---

FROM SERIAL NUMBER 10108.0000 A NEW HEATER WITH A COLOMBO CONNECTOR HAS BEEN USED IN PRODUCTION.

THIS NEW HEATER IS NOT INTERCHANGEABLE WITH THE PREVIOUS ONE.

SEE PARTRS LIST FOR CORRECT PART.

## n4411g01: VENTED DOOR SEALS

---

ON SELECTED TUMBLE DRYERS FROM JUNE 2011 THE DOOR SEAL COLOUR CHANGED FROM GREY TO WHITE.

SELECTED THE CORRECT PART BY DESCRIPTION IN THE PARTS LIST

FROM MAY 2014 STOCK OF THE WHITE SEALS HAS BEEN EXHAUSTED SO ONLY GREY NOW AVAILABLE. THE WHITE SEALS HAVE BEEN SUPERSEDED AS THIS IS CONSIDERED A SUITABLE ALTERNATIVE

n4412c01: VENTED TUMBLE DRYER DRUM LIFTER

---

From Sept 2011, a curved drum lifter, has been used in production, the new lifter is fully interchangeable with the original straight drum lifter, once stock of the straight drum lifter is exhausted, the curved drum lifter will become the Service Spare, for all production dates”.

## n4409k00: FRONT AIR DUCT & AIR DUCT SEAL

---

---

### FRONT AIR DUCT SEAL

Both 14mm and 16mm Air Duct Seals have been used in production.

14 mm - used Before Serial No. 50501.0000 (May 2005) and After 00107.0001 (July 2010)

16 mm - used Between Serial No.s 50501.0001 (May 2005) and 00107.0000 (July 2010) - See note below

If replacing only the Seal - select the CORRECT size from the parts list.

### AIR DUCT

White Air Ducts were used in production from 10601.0000 (June 2011), the only difference to the Grey Ducts is the colour change.

WHITE AIR DUCTS ONLY will become the only Service Air Duct Once Stock of the Grey Air Ducts is exhausted

If the original air duct is grey, the air duct kit is required which includes a white filter.

### NOTE: ALL SERIAL NUMBERS:

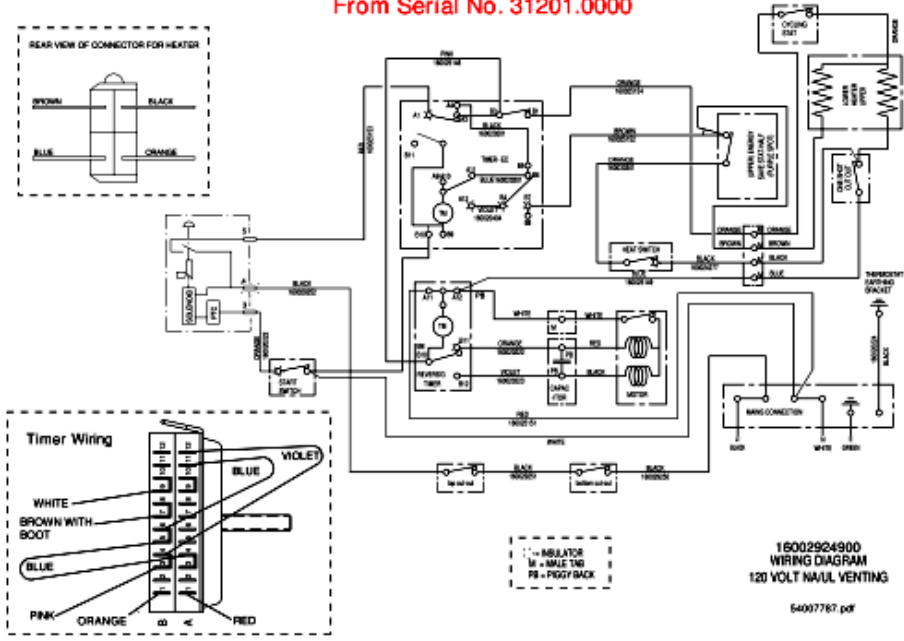
If the AIR DUCT is being replaced you will require a 14mm Seal because the service replacement AIR DUCT is 14mm. See parts List

-----

Electric schemes and links

Cod. 5407787

**WIRING DIAGRAM**  
**NORTH AMERICAN 120 VOLT - VENTED TUMBLE DRYER**  
 From Serial No. 31201.0000



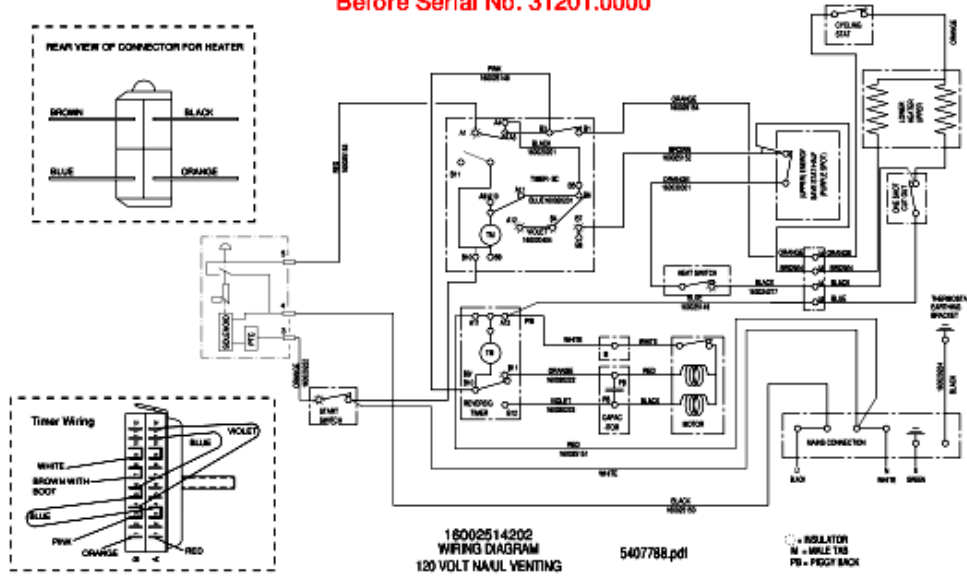
## Legend

Legend: 5407787

Electric schemes and links

Cod. 5407788

**WIRING DIAGRAM  
NORTH AMERICAN 120 VOLT - VENTED TUMBLE DRYER  
Before Serial No. 31201.0000**



## Legend

Legend: 5407788