

Model type:
CP057GT

Commercial code:
F028244

General notes

Technical Documentation guidelines

You can find herewith some generic information to simplify consulting of technical documentation:

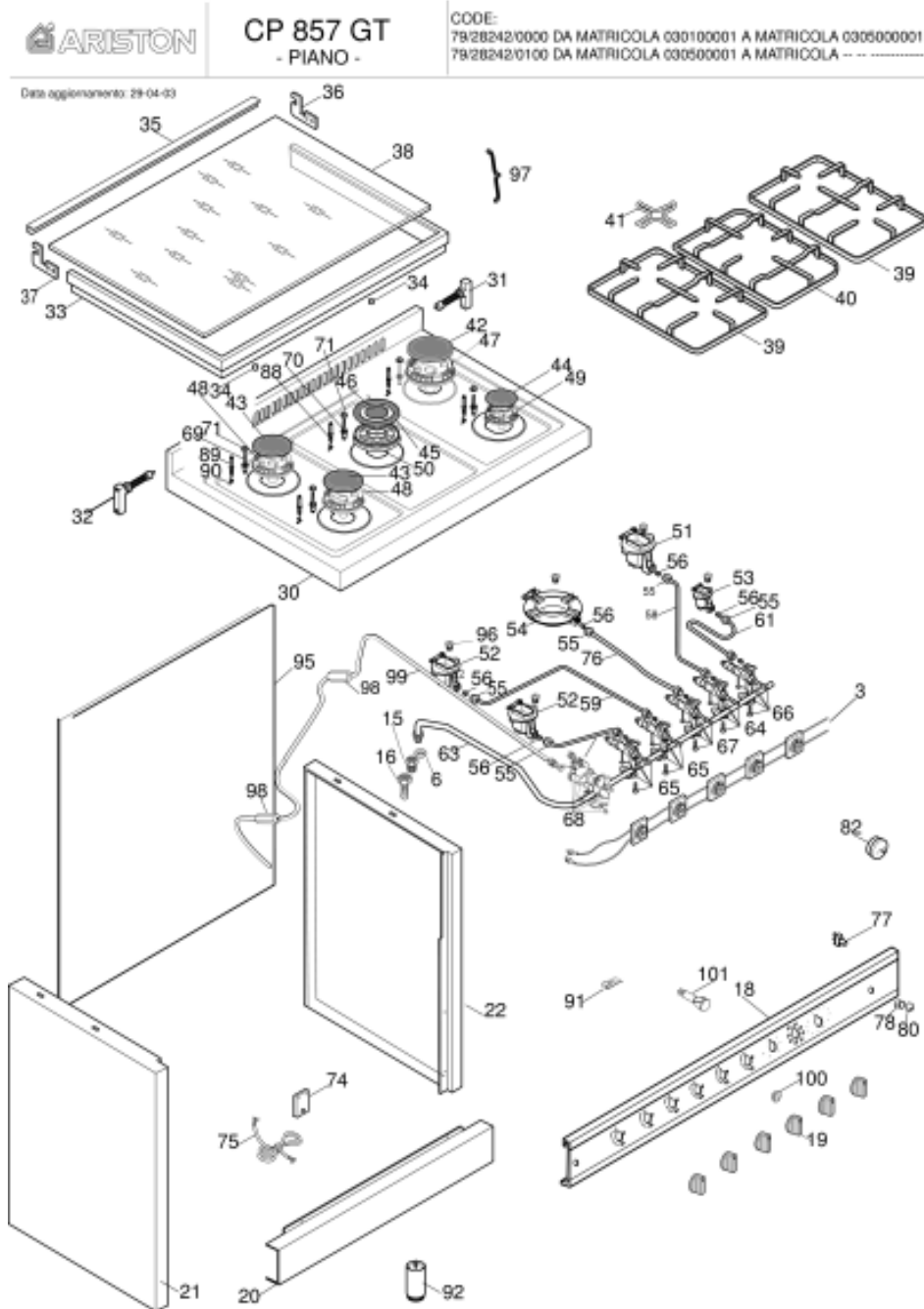
1. Models of same range share the same exploded views, which report the richest set of spare parts: generally, a model does not necessarily have a related spare part for each particular shown on exploded views.
2. Some spare parts can not be represented directly on the exploded views (instruction booklets, specific kit, etc...). You can find those codes in the spare parts list with the same reference of particular where spares are installed or with references 099, 999. Instruction booklets, once managed, appear with 000 reference.
3. On the higher right site of each exploded view there is a serial number which indicates the beginning of the production of certain range: some models might have more than an exploded view for a given category, each distinguished by a different serial no. and linked to another spare parts list, In this case, serial no. is required to supply the right spare part code. Exploded view to be considered is the one with a more recent serial no. but previous than the one of the model that needs assistance.
4. Exploded views might require further updates even after publishing. Addition of new spares will go on following the already existing numeration references. Revision number of an exploded view is shown into last four digits of serial number into upper right hand corner.
5. The spare parts list associated to an exploded view shows related codes of spares managed for a certain model; for each spare part other informations are available:

REF: reference no of spare into a table; SUBSTITUTE: list of spare(s) which can replace a code but that keeps same functional characteristics

INDUSTRIAL CODE: list of variables of a model (shown into model label) where such spare is used; NOTICE: code of information(s) to refer to complete technical intervention, track for changes or to find correct spare part code.
6. Some notices, into a same section are generic therefore cannot be directly linked to a spare part. In order to assist a model in the best way as possible, it is helpful to pay attention to all notices and constantly verify documentation updates
7. Technical documentation cover shows model name and its commercial codes

star0040

Exploded views



star0040

Spare parts list

Ref.	Code	From	To S/N	Substitute	Description	Notice	Industrial
000	C00094219				instruction book it-gb-fr-es-pt		
003	C00091801				microswitches n05		
006	C00010506				sealing washer - gas elbow/pipe		
015	C00057349			1 x C00010509	not uk- hose ferrule - lpg		
016	C00056385			1 x C00011040	methane/town gas pipe		
018	C00095029				dashborad serig. c057gt		
019	C00091766			1 x C00111916	knob ix	n1015057 n1015068	
019	C00108815		40509...	1 x C00111916	knob cp/eg chromate	n1015068	
019	C00111916	40510...			knob ix	n1015068	
020	C00091950				base inox 90cm		
021	C00091951				side panel left		
022	C00091952				side panel dx		
030	C00095031				working table ix c057gt		
031	C00074259				right hinge		
032	C00074260				left hinge		
033	C00074261				cover frame		
034	C00058858				rubber buffer - pan grid		
035	C00074276				back lid profile		
036	C00074277				cover right hinge support		
037	C00074278				cover left hinge support		
038	C00074262				glass cover		
039	C00091965				grid black 2 burners		
040	C00091966				central pan-supporting grid tc.		
041	C00064003				reducing grid - pan grids c60		
042	C00064920				burner cap rapide black		
043	C00064919				burner cap - semirapide black		
044	C00064918				burner cap auxiliary black semi		
045	C00064921				burner cap outer tc black semi		
046	C00064922				burner cap centre tc black semi		
047	C00052928				burner ring/flame splitter - large		
048	C00052929				burner ring - medium		
049	C00052930				burner base/flame splitter - small		
050	C00053173				burner base/flame splitter - triple		
051	C00052925				burner cup - large burner		

star0040

Spare parts list

Ref.	Code	From	To S/N	Substitute	Description	Notice	Industrial
052	C00052926				burner cup - medium burner		
053	C00052927				burner cup - small burner		
054	C00053254				burner cup - triple burner		
055	C00060458				nut m1 3x1		
056	C00058506				cone elbow 'star'		
058	C00091968				front left burner supply pipe		
059	C00091970				front left burner supply pipe		
060	C00091969				semi-rapid burner supply pipe		
061	C00091971				front right burner supply pipe		
063	C00091990				distributing		
064	C00059240				gas tap with fast valve star		
065	C00059241				thermostat with valve semirapido		
066	C00059239				gas tap with valve by-pass 0,27		
067	C00059242				thermostat with valve tripla corona		
068	C00031027				bolt m4		
068	C00091830				1 way thermostat nat gas		
068	C00111890				fixing saddle - thermostat		
069	C00052986				thermocouple ** not for triple		
070	C00074280		30901...		thermocouple - triple burner		
070	C00097821	41011...			thermocouple - triple burner		
071	C00093834				screw nut m6		
074	C00056382				terminal block		
075	C00056381				supply cable 10a		
076	C00091967				front right burner supply pipe tc		
077	C00033335				lamp switch (na)		
078	C00086835				switch support		
080	C00086836				oven light - turnspit switch		
082	C00052527				minute timer d = 6mm		
088	C00075911				electrode -triple burner l=500		
089	C00083140			1 x C00059237	spark plugs+ cable l=200		
090	C00052934				electrode clip		
091	C00049971				flat spring retainer-thermos.capil.		
092	C00074282				foot chromium		
095	C00091954				back panel cooker 90cm		
096	C00074269				kit injector gas metano g20		

star0040

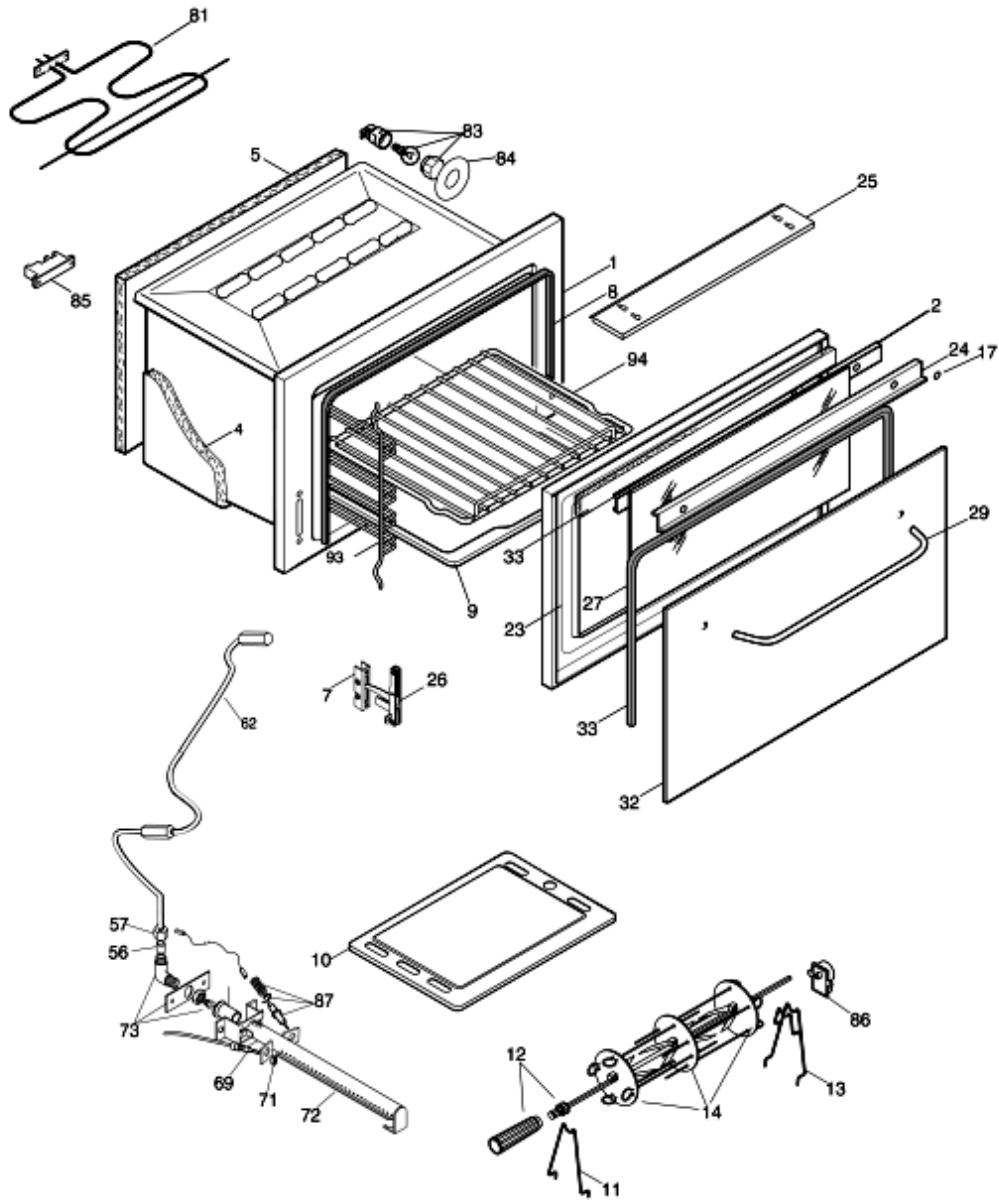
Spare parts list

Ref.	Code	From	To S/N	Substitute	Description	Notice	Industrial
096	C00095039				kit injector gas liquid		
097	C00091964				kit glass lid 90cm		
098	C00095040				connection distributing oven pipe		
100	C00074135				neon lens clear		
101	C00089743				pilot light red		

star0041

Exploded views

matr.30115.0001



star0041

star0041

Spare parts list

Ref.	Code	From	To S/N	Substitute	Description	Notice	Industrial
001	C00095028				black oven		
002	C00091983				plate clamp handle		
004	C00092897				oven insulation		
005	C00056076				oven back panel insulation		
007	C00075148			1 x C00271825	roller support m26		
008	C00052152				oven door seal large oven		
009	C00076073				enamelled drip tray		
010	C00094806				oven bottom		
011	C00049974				rotisserie support		
012	C00056079				turnspit l-537		
013	C00049973				holder tbc?		
014	C00089099			1 x C00096739	rotisserie complete		
017	C00082473				handle spacer		
023	C00089083			1 x C00143724 1 x C00143726 1 x C00145640 1 x C00193991	oven metal inner door		
024	C00095030				handle support		
025	C00056377				knob deflector		
026	C00085563				door hinge		
027	C00049936				oven door glass - inner		79282440000 79282440100
027	C00143726				inner glass		79282440200
029	C00091962			1 x C00091984	oven door handle ix		
032	C00094971			1 x C00193157	oven door glass mirror		
056	C00058506				cone elbow 'star'		
057	C00095032				nut 1/4gas		
062	C00095034				oven feeding pipe		
069	C00111932				thermocouple oven 1300mm cast		
072	C00095037			1 x C00111932 1 x C00193159	oven burner		
073	C00095038				raccord plate		
081	C00056108				grill heating element		
083	C00050003			1 x C00280056	lamp-holder complete		
084	C00052172				protection		

star0041

Spare parts list

Ref.	Code	From	To S/N	Substitute	Description	Notice	Industrial
085	C00031720				6 points igniter + filter		
086	C00049972			1 x C00089098	motor -rotisserie		79282440000
086	C00089098				motor rotisserie		79282440100
087	C00114652				oven spark plugs cast		
093	C00066389				side shelf		
094	C00049947			1 x C00110232	oven shelf		

Notices

n1015057: INTRODUCTION OF KNOB WITH NEW CHROME FINISH ON SEMI-PROFESSIONAL COOKERS

From serial no. 40223.0001, all semi-professional cookers affected by this modification and produced in the Refrontolo factory have been equipped with a new control knob.

The new knob (Service code 108815) differs from the premodification item (091766) for the chrome finish. Thus the new item is not aesthetically interchangeable with the premodification item. Therefore, knob code 091766 must be used on cookers before serial no. 40223.0001, and knob code 108815 must be used on models after serial no. 40223.0001.

Premodification knobs (091766) will be available from the spare parts warehouse while stocks last, after which, when a premodification knob needs replacing on a cooker before serial no. 40223.0001, all the cooker knobs must be replaced with with code 108815 to avoid aesthetic problems.

E.g.: if 1 knob needs replacing on model CP059MD, serial no. 31020.0001 (20 October 2003), order 8 knobs code 108815.

n1015068: Buttons - New chrome finish

From serial number 405100001 onwards, replacement of buttons 108815 by buttons 111916.

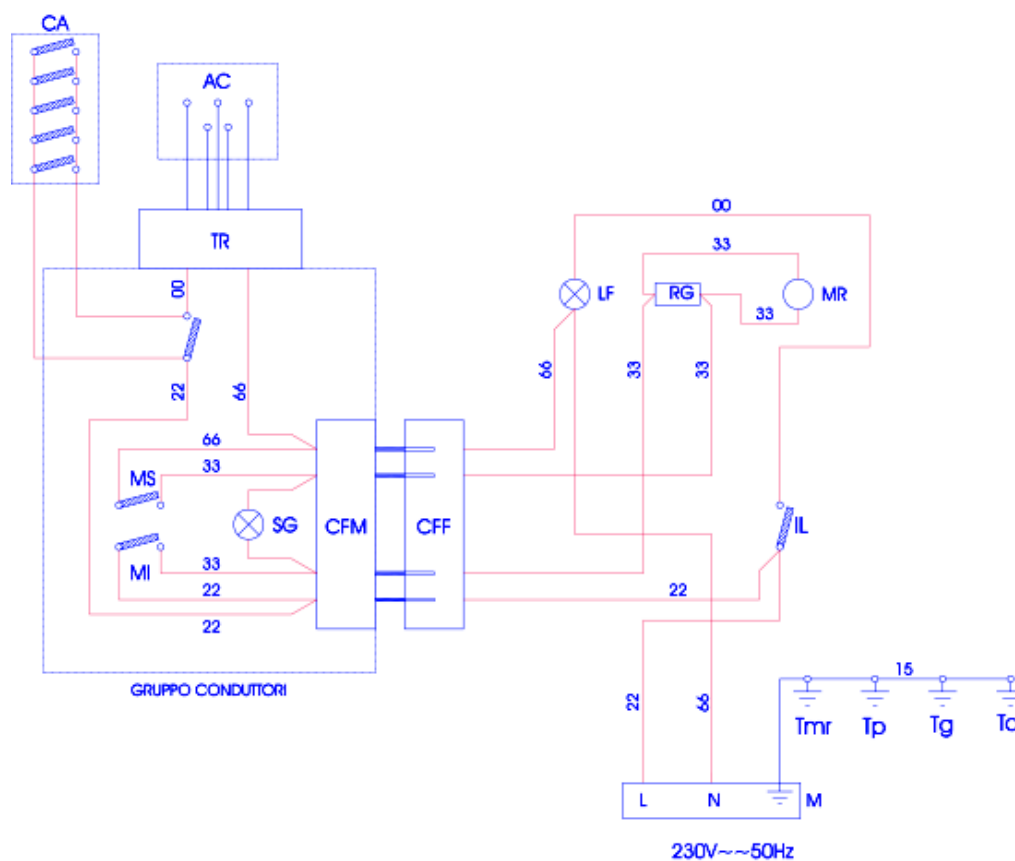
The old and new buttons are not individually interchangeable because the chrome finish is different.

The old buttons will be used by the spare parts department until stock runs out.

Then, if replacing buttons on an appliance whose serial number is before 405100001, all of the buttons must be changed.

Electric schemes and links

Cod. 16001615500



M =MORSETTIERA
 MS =MICROINT.SUP.GRILL
 MI =MICROINT.INF.GRILL
 IL =INTERR.LUCE
 MA =MICROINT.ACCENSIONE
 CA =CATENARIA
 TR =TRASFORMATORE ACC.
 AC =ACCENDITORI
 LF =LUCE FORNO
 RG =RESIST.GRILL
 MR =MOTORIDUTTORE
 SG =SPIA GRILL
 CFF=CONNETT.FASTON FEMM.
 CFM=CONNETT.FASTON MASCH.

00=NERO
 15=GIALLOVERDE
 22=MARRONE
 33=ROSSO
 66=CELESTE

Tmr=TERRA MOTORIDUTTORE
 Tp=TERRA PORTALAMPADA
 Tg=TERRA RES.GRILL
 Tc=TERRA COMANDI

se16001615500

Legend

Legend: 16001615500

AE	Ignition transformer	PE	Plate electric (Normal and Rapid)
AT	Ignition transformer	PEL	Wall socket
CF	Oven commutator	PIF	Cooking programmer
CP	Plate commutator(Normal end Rapid)	POT	Thermostated potentiometer
CT	Plate commutator(Automatic)	PT	Termoprotector
DC DR	Double Knob double crown burner control card	PTC	Thermostated sensor
EV	Electro-Valve	RCE	Grill heating element ex- ternal
FC	End of cooking programmer	RCI	Grill heating element internal
FRONT	Daschboard	RE	Energy regulator
I/LF	OVEN LIGHT SWITCH	RF	Oven lower heating element
I/LF-MG	OVEN LIGHT SWITCH + ROTISSERIE	RG	Grill heating element
I/MG	TURNSPIT SWITCH	RG COM	Grill heating element un- ion
IL	Knobs' Lighting	RV	Heating element ventilated oven
ILG	Lamp switch turnspit	SA	Boiler operating led
IT	Thermostated switch	SB	Thermostated burner led
L	Line (Feed)	SF	Warning light working
LF	Oven light	SO	Probe temperature
LI	Oven light	SP	Operating Indicator Light for the Plate
M	Suction motor handle	ST	Warning light thermostat
MG	Turnspit motor	TH	Thermostat fixed
MO	Terminal board	TH2	Thermostated burner cooling
MUFF	Oven	THR	Adjustable thermostat
MV	Fan motor	TP	Termoprotector
N	Neutral (Feed)	TRAV	Support terminal board
PA	Ignition push-button	TRM	Thermostated burner control card