



## Spare Parts Catalogue

ASKO Tumble Dryers \ ASKO XXL Series  
Type: TLS752G  
Model: TLS752GXXL Gas dryer

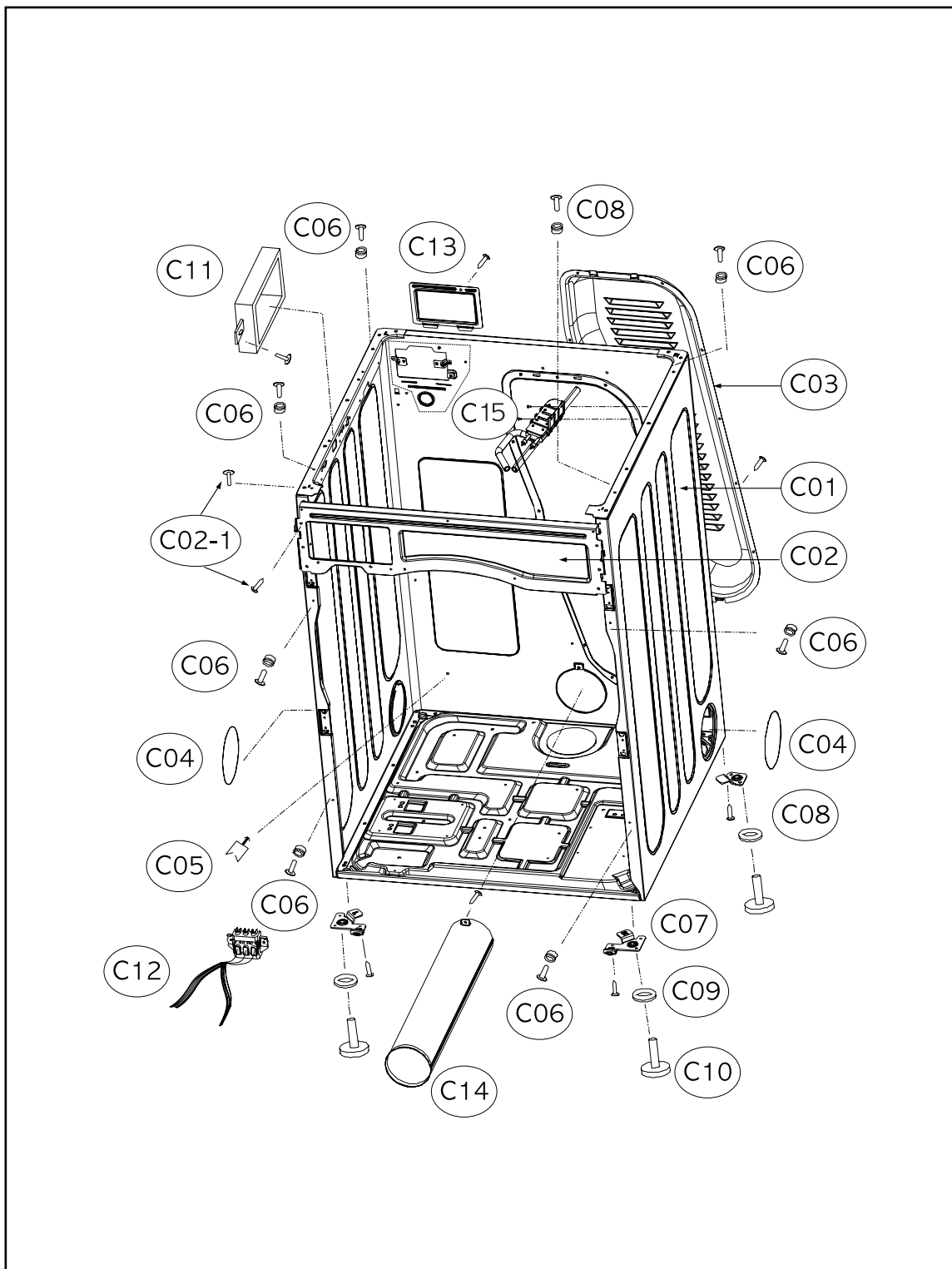
Prod. No: 107752GPP  
April 17th 2012

**ASKO Appliances Inc.**

4001 E Plano Parkway #1004001 E Plano Parkway #100  
Plano, Texas 75074

# Parts List by Ass'y

## 1. DRYER CABINET ASS'Y

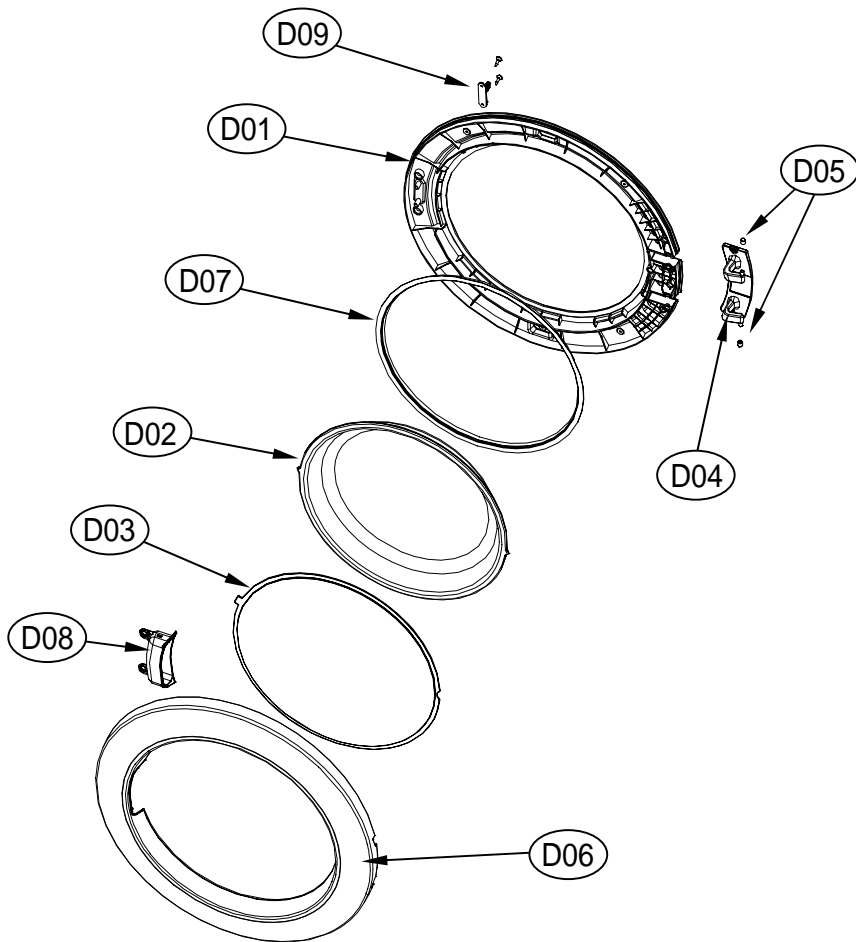


## Cabinet

### ASKO, TLS752GXXL - Gas dryer #107752GPP (TLS752G)

| Pos   | Spare part No. | Description                      | Qty     | Comment |
|-------|----------------|----------------------------------|---------|---------|
| C02   | 3612207900     | Front Frame Upper                | 1 Pc's  |         |
| C02-a | 7121401411     | Screw - Self Tapping             | 6 Pc's  |         |
| C03   | 3611427900     | Back Cover                       | 1 Pc's  |         |
| C03   | 3612206500     | Frame Top - Left                 | 1 Pc's  |         |
| C03-a | 7112401411     | Screw-Self Tapping               | 12 Pc's |         |
| C04   | 3612206600     | Frame Top - Right                | 1 Pc's  |         |
| C04   | 3610392900     | Base                             | 1 Pc's  |         |
| C04   | 3611428060     | Duct Cover PP                    | 2 Pc's  |         |
| C06   | 3612008000     | Panel Clip                       | 6 Pc's  |         |
| C06-a | 7121401211     | Screw - Self Tapping             | 6 Pc's  |         |
| C07   | 3615304200     | Front Leg Support                | 2 Pc's  |         |
| C08   | 3615304300     | Rear Leg Support                 | 2 Pc's  |         |
| C09   | 3612006400     | Leg Locking Nut                  | 4 Pc's  |         |
| C10   | 3612100700     | Leveling Leg AS XXL WMD          | 4 Pc's  |         |
| C10-a | 7122401411     | Screw - Self Tapping             | 2 Pc's  |         |
| C11   | PRPSSWAD47     | PCB DRYER GAS MAIN AS            | 1 Pc's  |         |
| C12   | 3612797320     | Harness, G-Dryer Main, Hot steam | 1 Pc's  |         |
| C12-a | 7121401411     | Screw - Self Tapping             | 6 Pc's  |         |
| C12-b | 7S422X4081     | Earth Ground Screw               | 2 Pc's  |         |
| C13   | 3611428100     | Terminal Block Cover             | 1 Pc's  |         |
| C13-a | 7112401411     | Screw-Self Tapping               | 1 Pc's  |         |
| C14   | 3614413500     | Exhaust Duct                     | 1 Pc's  |         |
| C14-a | 7112401008     | Screw-Self Tapping               | 1 Pc's  |         |
| C15   | 3619606900     | UNIT STEAM DRYER AS              | 1 Pc's  |         |
| C15-a | 7122401411     | Screw - Self Tapping             | 2 Pc's  |         |

## 8. DOOR ASS'Y

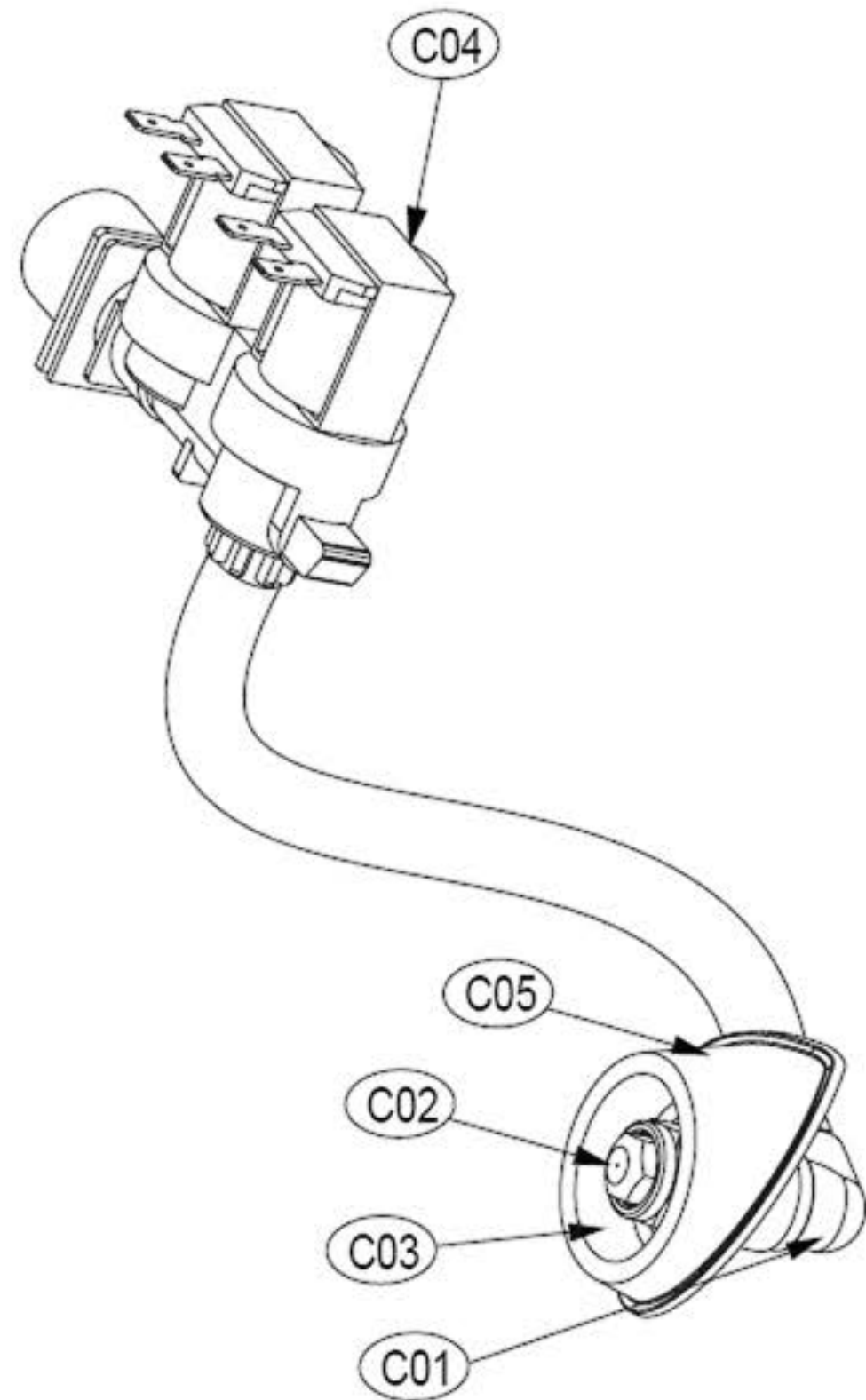
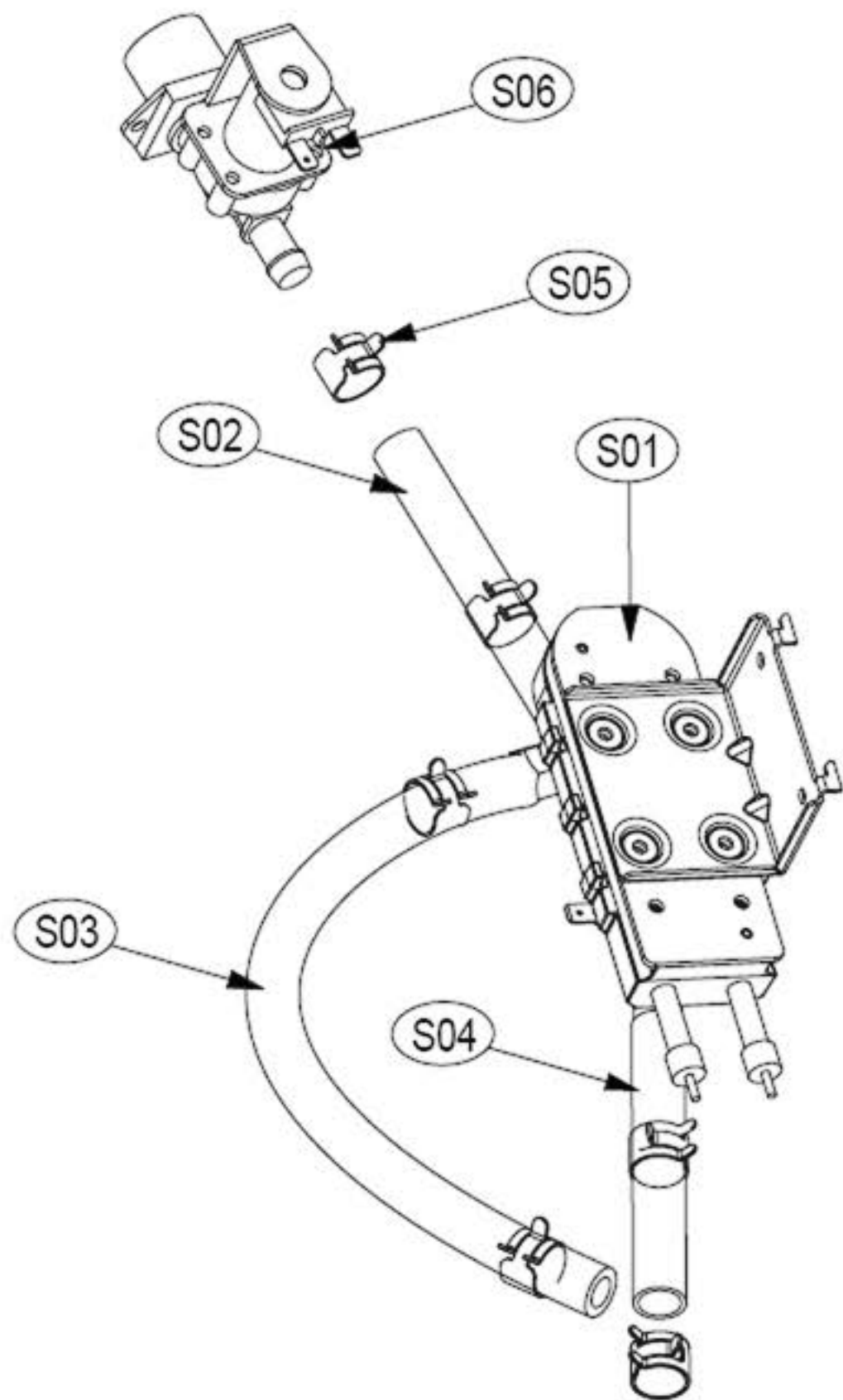


## Door ass'y

ASKO, TLS752GXXL - Gas dryer #107752GPP (TLS752G)

| Pos   | Spare part No. | Description                 | Qty     | Comment |
|-------|----------------|-----------------------------|---------|---------|
| D01   | 3612208000     | Door Frame - Inner          | 1 Pc's  |         |
| D01-a | 7115402008     | Screw - Self Tapping        | 15 Pc's |         |
| D02   | 36117ABR00     | Door Glass                  | 1 Pc's  |         |
| D03   | 3618304300     | Door Glass Protection       | 1 Pc's  |         |
| D04   | 3612903640     | Door Hinge AS Gray - XXL TD | 1 Pc's  |         |
| D05   | 3610916500PP   | Door Hinge Cap              | 2 Pc's  |         |
| D07   | 3612323000     | Door Gasket                 | 1 Pc's  |         |
| D08   | 3611428310PP   | Handle Cover                | 1 Pc's  |         |
| D09   | 3613101100     | Door Hook                   | 1 Pc's  |         |
| D09-a | 7115401608     | Screw-Self Tapping          | 1 Pc's  |         |

## 12. UNIT STEAM DRYER AS & UNIT COLD SPRAY AS

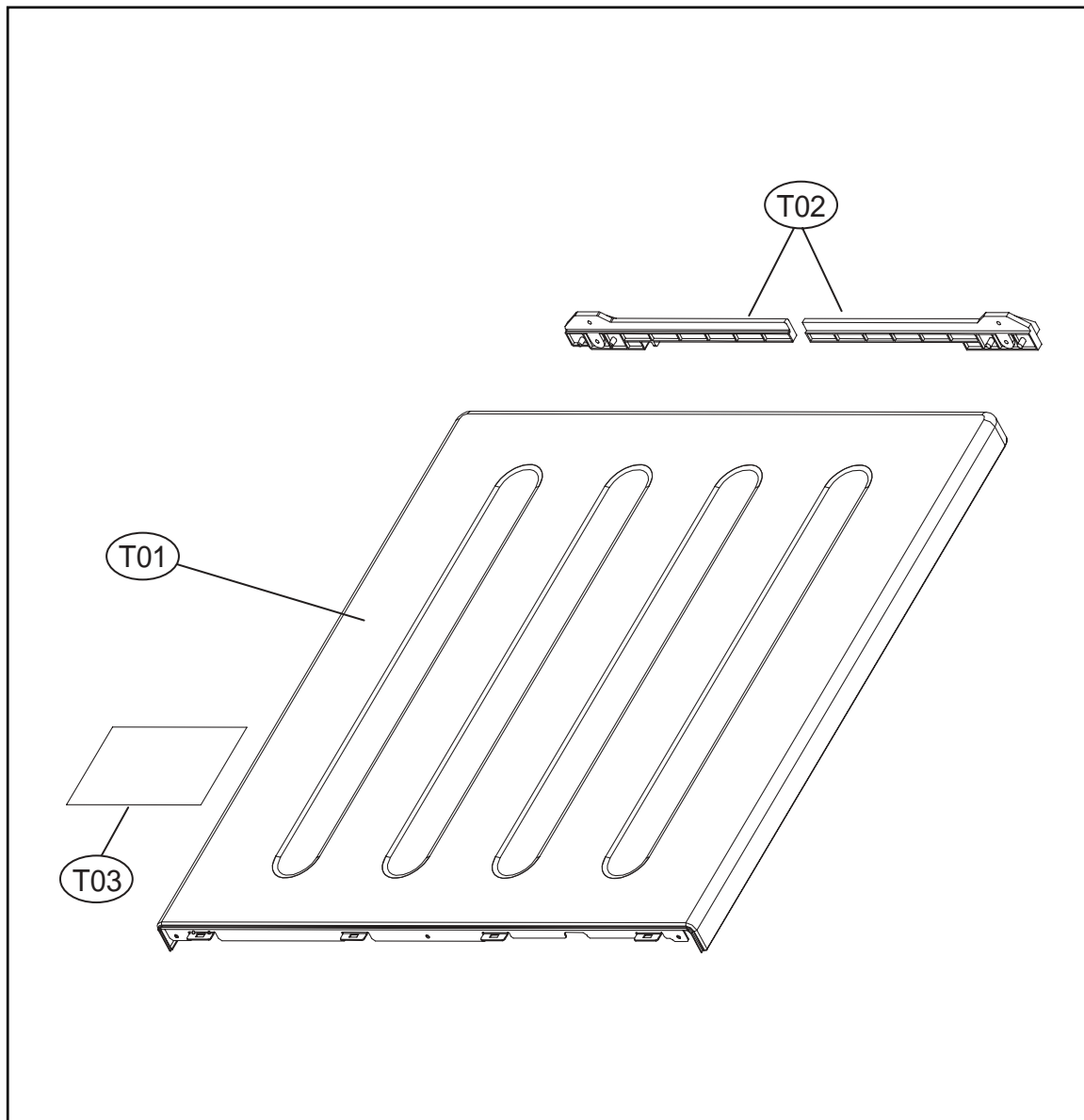


## ***Inlet System***

**ASKO, TLS752GXXL - Gas dryer #107752GPP (TLS752G)**

| <b>Pos</b> | <b>Spare part No.</b> | <b>Description</b>   | <b>Qty</b> | <b>Comment</b> |
|------------|-----------------------|----------------------|------------|----------------|
| C05-a      | 7112401208            | Screw-Self Tapping   | 2 Pc's     |                |
| S01        | 3619606700            | UNIT STEAM AS        | 1 Pc's     |                |
| S02-S04    | 3613275100            | HOSE SPRAY           | 1 Pc's     |                |
| S05        | 3611205830            | CLAMP HOSE           | 1 Pc's     |                |
| S06        | 3615416731            | VALVE INLET          | 1 Pc's     |                |
| S06-a      | 7122401411            | Screw - Self Tapping | 2 Pc's     |                |

## 7. TOP PANEL ASS'Y

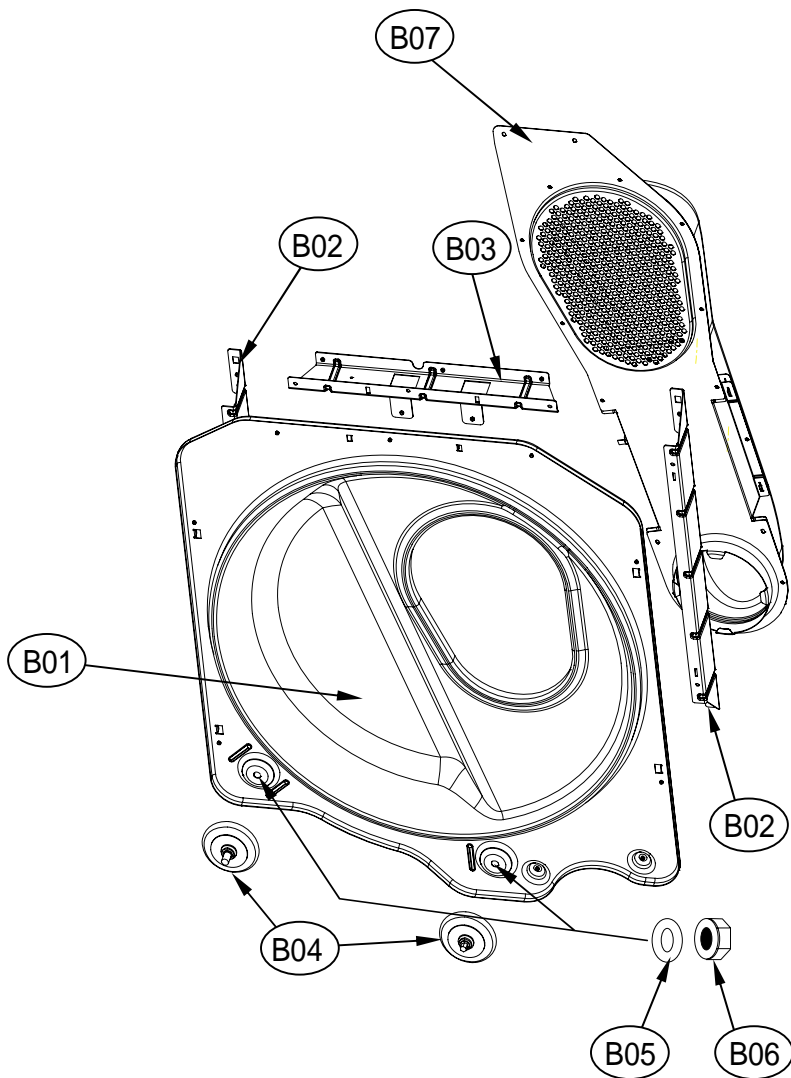


## Top Lid

ASKO, TLS752GXXL - Gas dryer #107752GPP (TLS752G)

| Pos   | Spare part No. | Description               | Qty    | Comment |
|-------|----------------|---------------------------|--------|---------|
| T01   | PRMACA3R20     | Top Panel XXL TD Platinum | 1 Pc's |         |
| T02   | 3615304100     | Top Panel Support         | 2 Pc's |         |
| T02-a | 7122401411     | Screw - Self Tapping      | 4 Pc's |         |

## 5. DRUM SUPPORT REAR ASS'Y

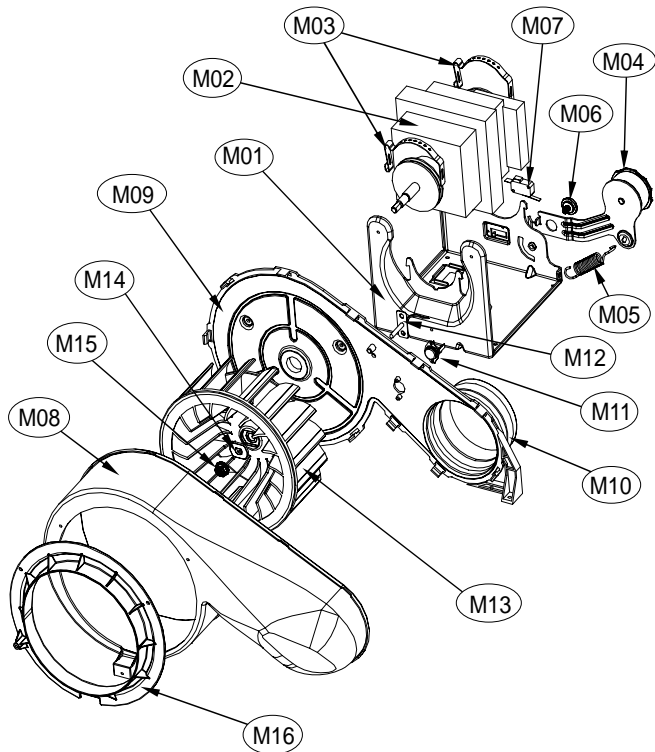


## **Rear ass'r dryer drum**

**ASKO, TLS752GXXL - Gas dryer #107752GPP (TLS752G)**

| <b>Pos</b> | <b>Spare part No.</b> | <b>Description</b>          | <b>Qty</b> | <b>Comment</b> |
|------------|-----------------------|-----------------------------|------------|----------------|
| B01        | 3615304500            | Drum Support Rear           | 1 Pc's     |                |
| B02        | 3610608810            | Support Bracket Right Side  | 1 Pc's     |                |
| B02-a      | 7122401411            | Screw - Self Tapping        | 7 Pc's     |                |
| B03        | 3610608910            | Support Bracket Right Upper | 1 Pc's     |                |
| B03-a      | 7122401411            | Screw - Self Tapping        | 7 Pc's     |                |
| B04        | 3614714400            | Drum Roller                 | 2 Pc's     |                |
| B05        | 3616039400            | Washer - Roller             | 2 Pc's     |                |
| B06        | 3616039300            | Nut - Roller                | 2 Pc's     |                |
| B07        | 3617510110            | DUCT INLET AS GAS           | 1 Pc's     |                |

## 2. DRYER MOTOR ASS'Y

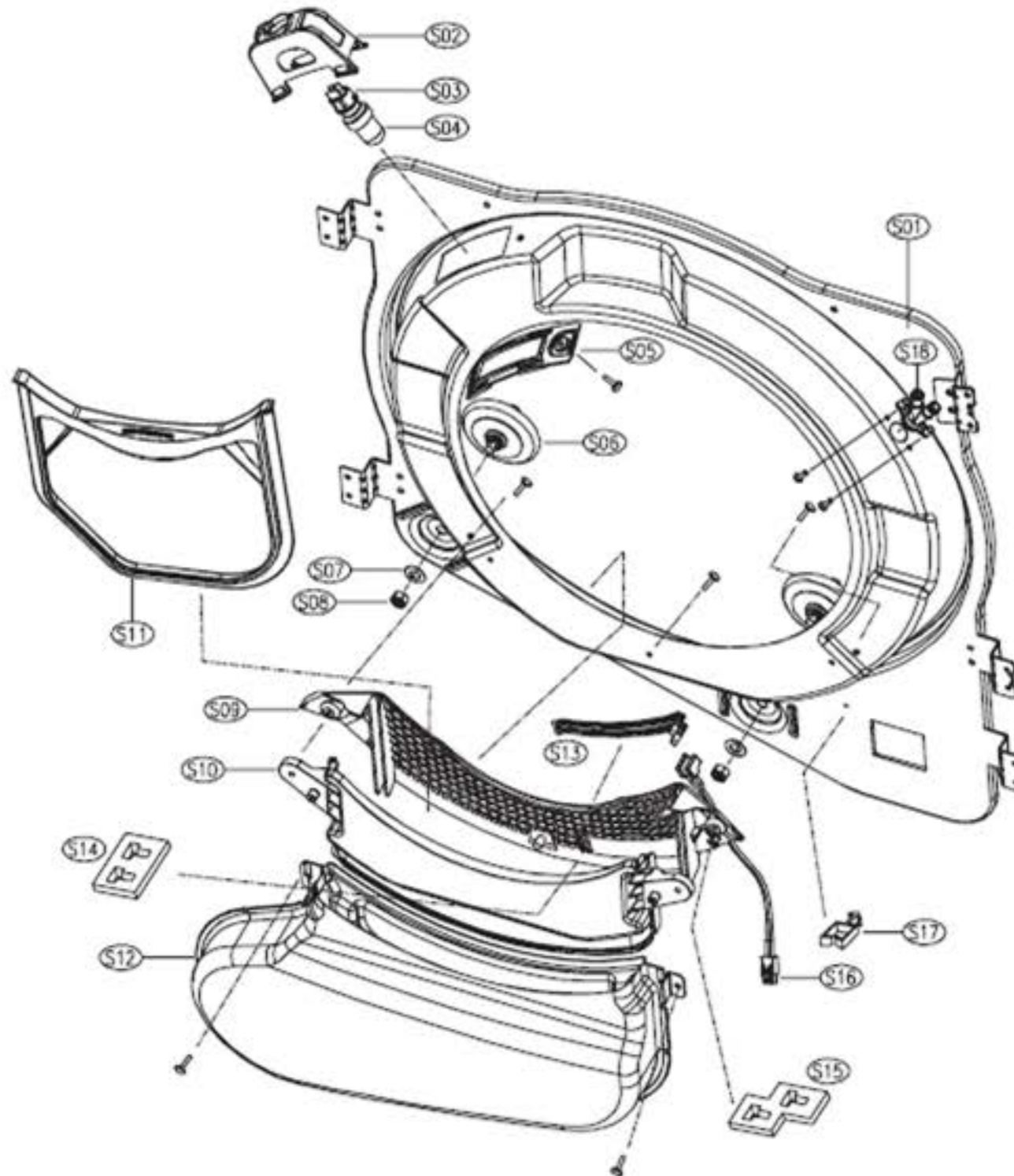


## Motor ass'y dryer

ASKO, TLS752GXXL - Gas dryer #107752GPP (TLS752G)

| Pos   | Spare part No. | Description          | Qty    | Comment |
|-------|----------------|----------------------|--------|---------|
| M01   | 3610608500     | Motor Bracket        | 1 Pc's |         |
| M02   | 36189L5D00     | Dryer Motor          | 1 Pc's |         |
| M03   | 3611206000     | Motor Clamp          | 2 Pc's |         |
| M04   | 3610609100     | Idler Bracket        | 1 Pc's |         |
| M05   | 3615115500     | Idler Spring         | 1 Pc's |         |
| M06   | 3616039000     | Idler Bolt           | 1 Pc's |         |
| M07   | 3619047500     | Micro Switch         | 1 Pc's |         |
| M07-a | 7121301611     | Screw-Self Tapping   | 2 Pc's |         |
| M08   | 3611144900     | Fan Case - Front     | 1 Pc's |         |
| M09   | 3611145000     | Fan Case - Rear      | 1 Pc's |         |
| M10   | 3612323200     | Pipe Gasket          | 1 Pc's |         |
| M10-a | 7112401411     | Screw-Self Tapping   | 3 Pc's |         |
| M11   | 3619047900     | THERMOSTAT FAN       | 1 Pc's |         |
| M11-a | 7121300811     | Screw-Self Tapping   | 2 Pc's |         |
| M12   | 361AAAAC20     | Thermistor           | 1 Pc's |         |
| M12-a | 7122401411     | Screw - Self Tapping | 1 Pc's |         |
| M13   | 3611886200     | Fan Impeller         | 1 Pc's |         |
| M14   | 3616039100     | Lock D-Washer        | 1 Pc's |         |
| M15   | 3616039200     | Lock Nut             | 1 Pc's |         |
| M16   | 3611428200     | Fan Cover            | 1 Pc's |         |
| M16-a | 7122401411     | Screw - Self Tapping | 2 Pc's |         |

## 6. SUPPORT DRUM FRONT ASS'Y

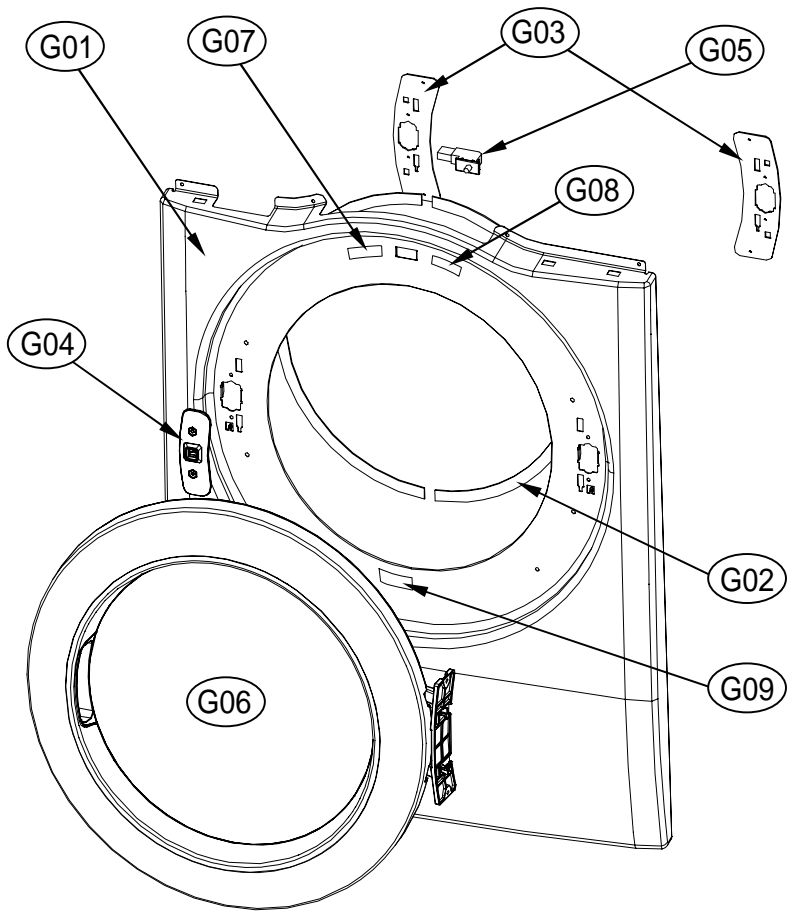


## Front ass'y dryer drum

ASKO, TLS752GXXL - Gas dryer #107752GPP (TLS752G)

| Pos   | Spare part No. | Description             | Qty    | Comment |
|-------|----------------|-------------------------|--------|---------|
| S01   | 3615304600     | Drum Support Front      | 1 Pc's |         |
| S02   | 3613053400     | Lamp Housing            | 1 Pc's |         |
| S03   | 3613053300     | Lamp Socket             | 1 Pc's |         |
| S04   | 3613625300     | Lamp Assembly           | 1 Pc's |         |
| S05   | 3615505100     | Lamp Cover              | 1 Pc's |         |
| S05-a | 7112401208     | Screw-Self Tapping      | 1 Pc's |         |
| S09   | 3611909700     | Filter Body - Rear      | 1 Pc's |         |
| S09-a | 7122401408     | SCREW - Self Tapping    | 3 Pc's |         |
| S10   | 3611909600     | Filter Body - Front     | 1 Pc's |         |
| S10-a | 7122401408     | SCREW - Self Tapping    | 3 Pc's |         |
| S11   | 3611909810     | FILTER AS               | 1 Pc's |         |
| S11-a | 7122401408     | SCREW - Self Tapping    | 3 Pc's |         |
| S12   | 3617510400     | Outlet Duct Assembly    | 1 Pc's |         |
| S12-a | 7122401408     | SCREW - Self Tapping    | 3 Pc's |         |
| S13   | 3614825500     | Moisture Sensor         | 2 Pc's |         |
| S14   | 3612009600     | Sensor Bracket - Center | 1 Pc's |         |
| S15   | 3612009700     | Sensor Bracket - Right  | 1 Pc's |         |
| S16   | 3612797200     | Harness - Sensor        | 1 Pc's |         |

# 10. CABINET FRONT ASS'Y

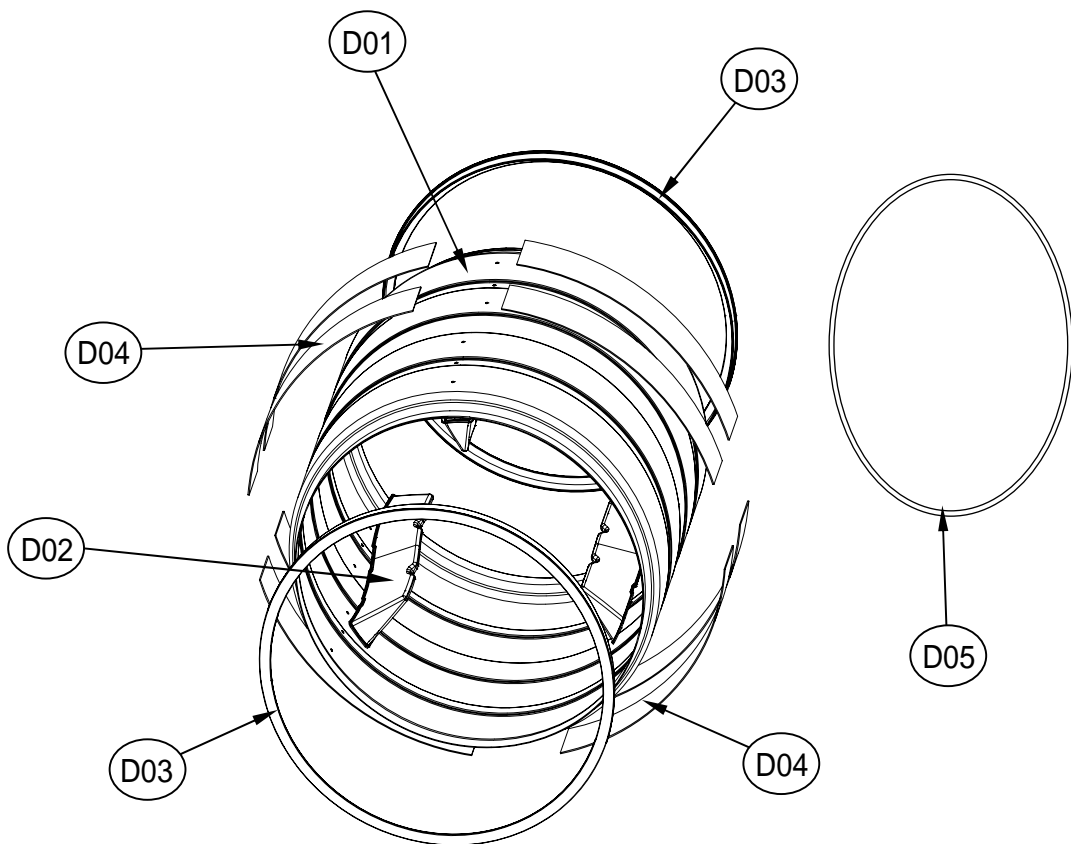


## Cabinet Front

ASKO, TLS752GXXL - Gas dryer #107752GPP (TLS752G)

| Pos   | Spare part No. | Description                  | Qty    | Comment |
|-------|----------------|------------------------------|--------|---------|
| G01   | 3610812501PP   | TD Front Panel XXL Plat      | 1 Pc's |         |
| G02   | 3612323350     | GASKET CABINET F             | 4 Pc's |         |
| G03   | 3615304415     | Hinge Support                | 2 Pc's |         |
| G04   | 3613802500     | Door Lock                    | 1 Pc's |         |
| G04-a | 7002401608     | Screw Tapping - T2S TRS 4x14 | 2 Pc's |         |
| G05   | 3619047700     | Door Switch                  | 1 Pc's |         |
| G06   | 36117ABQ00PP   | DOOR AS                      | 1 Pc's |         |
| G07   | 3613558800     | Warning Label                | 1 Pc's |         |
| G08   | 3613557600     | Caution Label                | 1 Pc's |         |
| G09   | 3613558900     | Rating Label                 | 1 Pc's |         |

## 7. DRUM ASS'Y

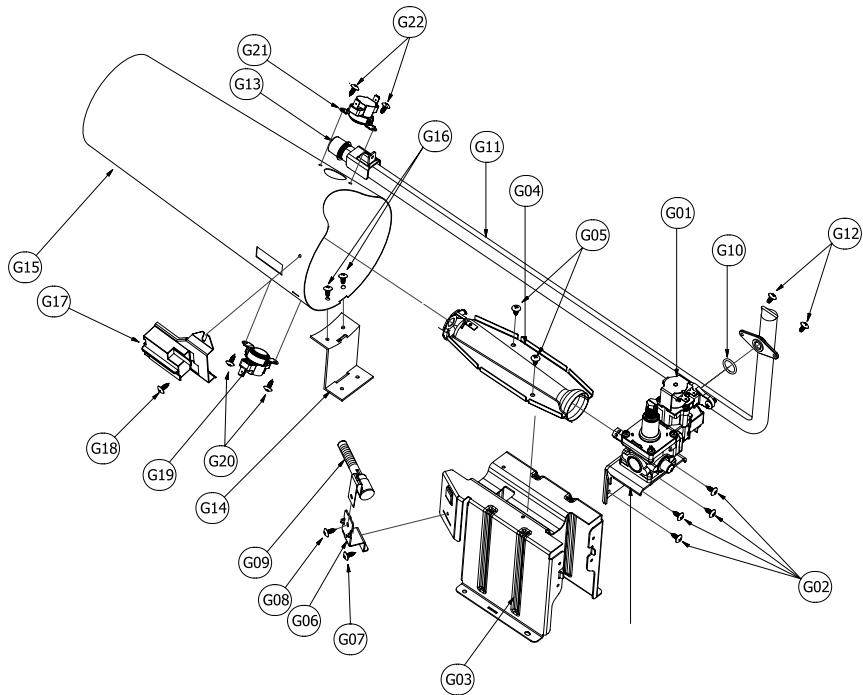


## **Drum Ass'y**

*ASKO, TLS752GXXL - Gas dryer #107752GPP (TLS752G)*

| <b>Pos</b> | <b>Spare part No.</b> | <b>Description</b>             | <b>Qty</b> | <b>Comment</b> |
|------------|-----------------------|--------------------------------|------------|----------------|
| D01        | 3617009951            | TD Drum w/Felt-Paddles TL751/2 | 1 Pc's     |                |
| D02        | 361A401050            | LIFTER                         | 3 Pc's     |                |
| D02-a      | 7122502008            | Screw-Self Tapping             | 12 Pc's    |                |
| D03        | 3614010600            | Drum Seal                      | 2 Pc's     |                |
| D05        | 3616591200            | Belt                           | 1 Pc's     |                |

### 3. Gas Valve



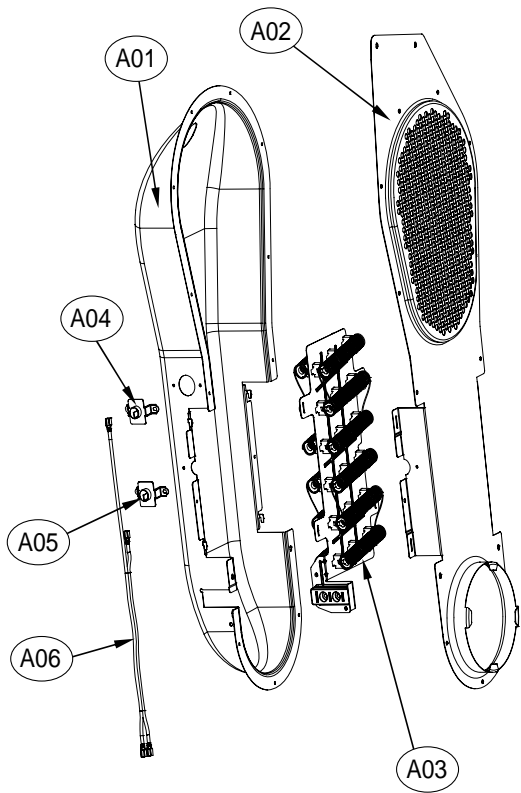
## Gas burner

ASKO, TLS752GXXL - Gas dryer #107752GPP (TLS752G)

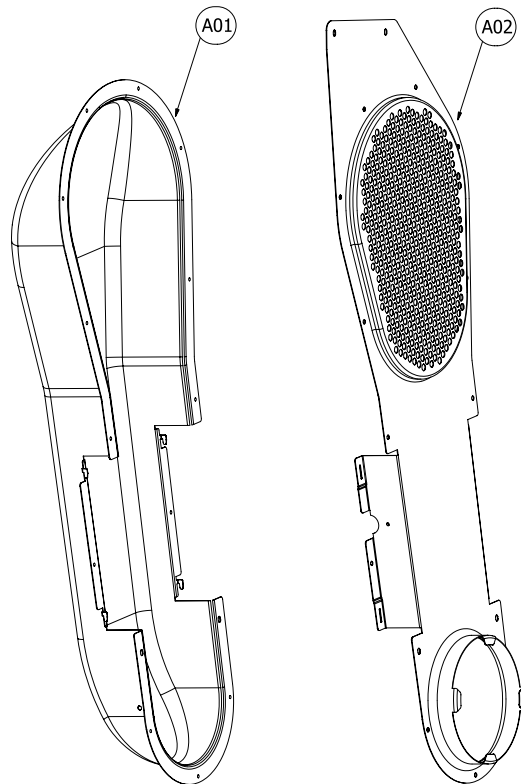
| Pos | Spare part No. | Description                    | Qty    | Comment |
|-----|----------------|--------------------------------|--------|---------|
| G01 | 3615417300     | LNG Valve AS                   | 1 Pc's |         |
| G03 | 3615417300     | LNG Valve AS                   | 1 Pc's |         |
| G06 | 3615417300     | LNG Valve AS                   | 1 Pc's |         |
| G09 | 36189L5800     | Igniter                        | 1 Pc's |         |
| G10 | 3614604100     | O-ring                         | 1 Pc's |         |
| G11 | 3615417300     | LNG Valve AS                   | 1 Pc's |         |
| G13 | 3615417300     | LNG Valve AS                   | 1 Pc's |         |
| G14 | 3612009200     | Funnel Fixture                 | 1 Pc's |         |
| G15 | 3612511300     | Funnel                         | 1 Pc's |         |
| G17 | 3614825700     | Flame Sensor                   | 1 Pc's |         |
| G19 | 3619047810     | Thermostat Cut-Out             | 1 Pc's |         |
| G21 | 3619047610     | Safety Thermostat - Non Re-set | 1 Pc's |         |

## 4. HEATER DUCT ASS'Y

### 4-1. Electric Type



### 4-2. Gas Type

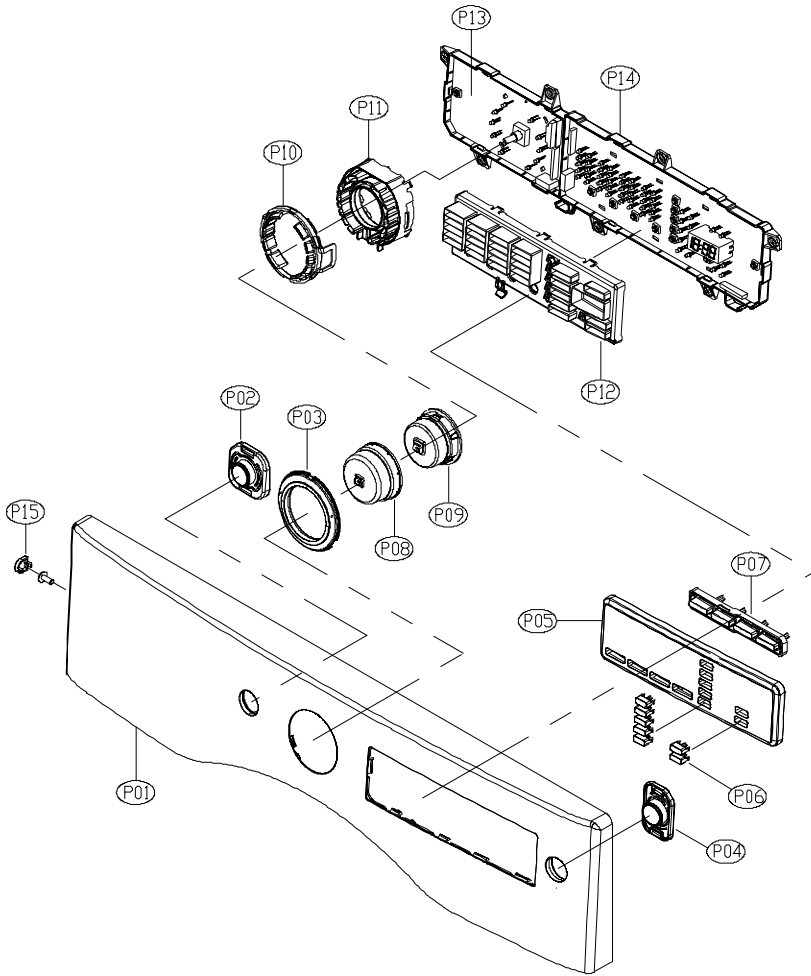


## **Rear ass'y dryer**

**ASKO, TLS752GXXL - Gas dryer #107752GPP (TLS752G)**

| <b>Pos</b> | <b>Spare part No.</b> | <b>Description</b>        | <b>Qty</b> | <b>Comment</b> |
|------------|-----------------------|---------------------------|------------|----------------|
| A01        | 3617510110            | Inet Duct AS - XXL TD Gas | 1 Pc's     |                |
| A01-a      | 7122400811            | Screw-Self Tapping        | 12 Pc's    |                |
| A02        | 3617510110            | Inet Duct AS - XXL TD Gas | 1 Pc's     |                |

## 11. PANEL F ASS'Y



## Control Panel

### ASKO, TLS752GXXL - Gas dryer #107752GPP (TLS752G)

| Pos   | Spare part No.  | Description                     | Qty    | Comment                            |
|-------|-----------------|---------------------------------|--------|------------------------------------|
| P01   | 3614288900PP    | Front Control Panel             | 1 Pc's | For TL751GPP order 3614288900-51GP |
| P01-a | 71224012411     | Screw - Self Tapping            | 1 Pc's |                                    |
| P02   | 3616637800PP    | Power Button                    | 1 Pc's |                                    |
| P03   | 3615506300PP    | Lens Cover - Prg Selector       | 1 Pc's |                                    |
| P04   | 3616637900PP    | Start Button                    | 1 Pc's |                                    |
| P05   | 3615506400-52PP | window display                  | 1 Pc's |                                    |
| P06   | 3616638100PP    | Option Button                   | 1 Pc's |                                    |
| P07   | 3616638000PP    | Program Option Button           | 1 Pc's |                                    |
| P08   | 3616638200PP    | Dial Knob - Chrome w/Platinum   | 4 Pc's | Includes 3616638300                |
| P09   | 3616638300PP    | Program Knob - Inner            | 1 Pc's |                                    |
| P10   | 3613054700      | Program Knob Lens               | 1 Pc's |                                    |
| P11   | 3613054500      | Program Knob Lens Holder        | 1 Pc's |                                    |
| P12   | 3613054600      | Lens Cover - Prg Option         | 1 Pc's |                                    |
| P13   | PRPSSWAD55      | Display Unit PCB XXL TD         | 1 Pc's |                                    |
| P14   | 3611147600      | Incl'd w/P13 Display/Cntrl Unit | 1 Pc's | Control Unit Case - PCB Front      |
| P14-a | 71224012411     | Screw - Self Tapping            | 2 Pc's |                                    |
| P15   | 3610917720      | ABS, PLATINUM COLOR             | 1 Pc's |                                    |

## 2. GAS DRYER(ON/OFF CONTROL) WIRING DIAGRAMS

