



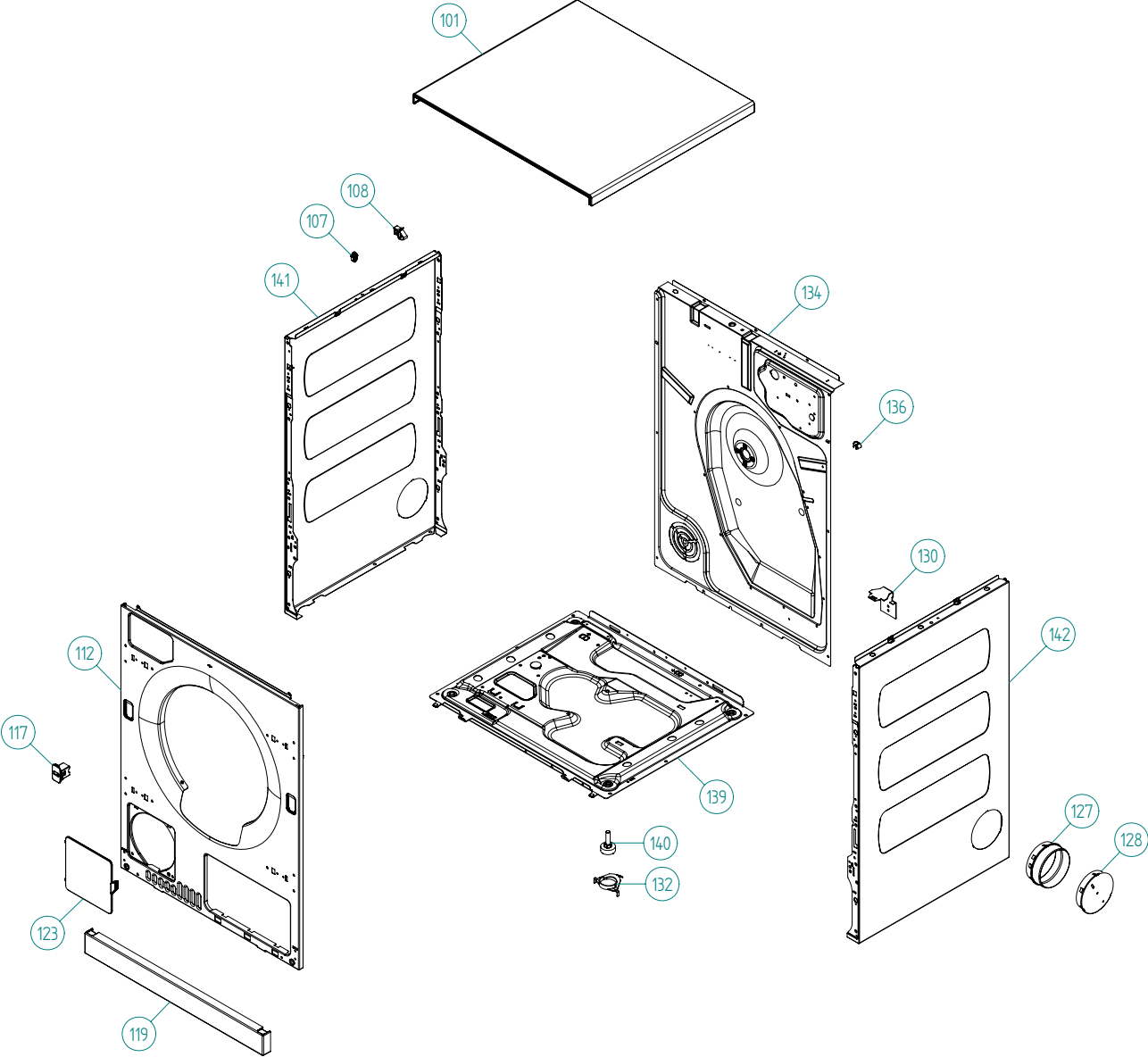
## Spare Parts Catalogue

Tumble Dryers \ ASKO 700 Series  
Type: TD60.2  
Model: T783 US SS

Prod. No: 10778301  
February 11th 2009

**ASKO Appliances Inc.**

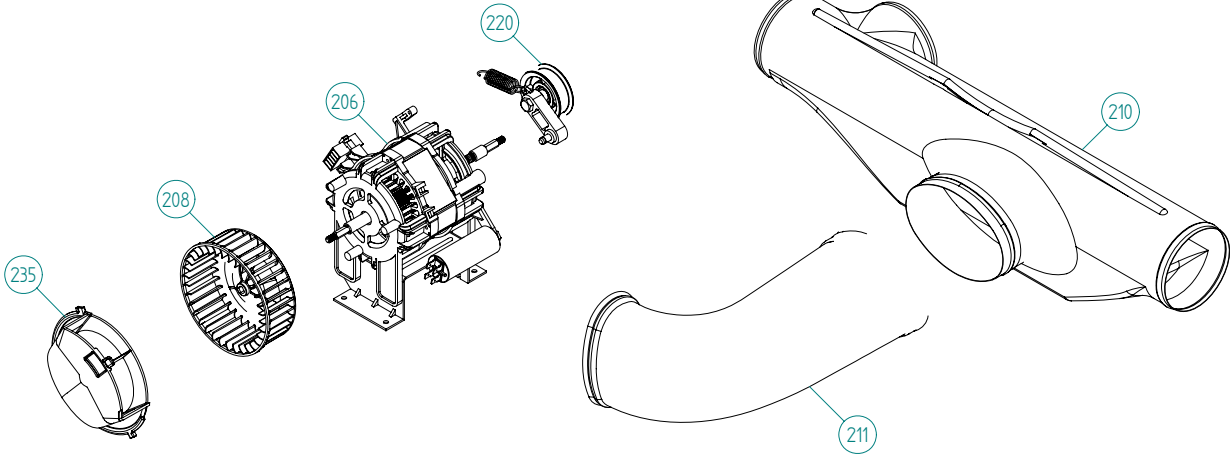
4001 E Plano Parkway #1004001 E Plano Parkway #100  
Plano, Texas 75074



## Outer casing

### ASKO, T783 US - SS (TD60.2)

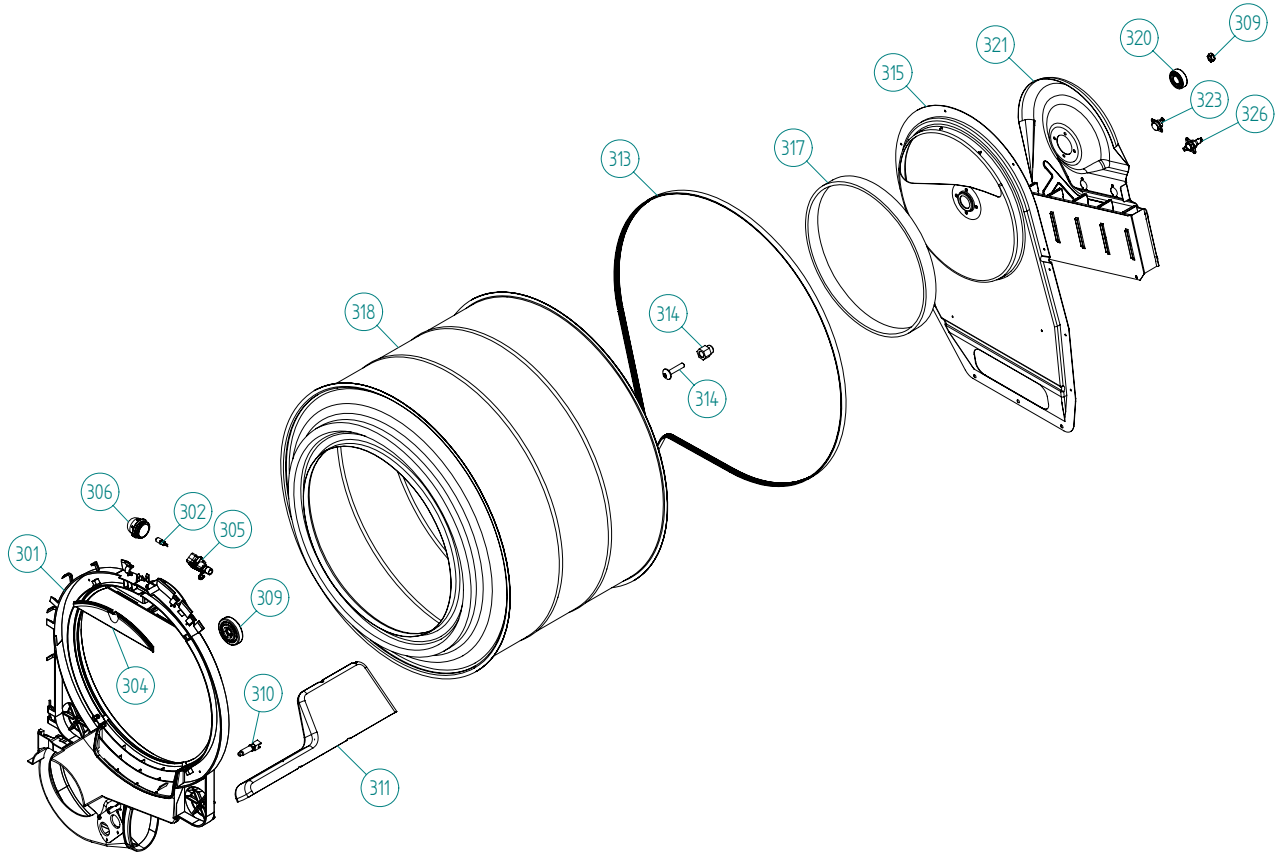
Pos	Spare part No.	Description	Qty	Comment
101	8061817-91	TOP COVER FPR	1 Pc's	
101-a	8900338	Screw 20 Torx Self Tapping	3 Pc's	
101-b	8901413	Lock Washer laundry tops	2 Pc's	
106	8801175-91	SIDE PLATE COMPL.LEFT TD20 EXH	1 Pc's	
107	8061763	Clip Front Plate 600700s	2 Pc's	
108	8061916	CABLE HOLDER WMD20	2 Pc's	
112	8076031-91	FRONT	1 Pc's	
112-a	8900338	Screw 20 Torx Self Tapping	2 Pc's	
112-b	8900327	Screw 20 Torx Self Tapping	4 Pc's	
117	8076077-81	LOCK PUSH/PUSH	1 Pc's	
119	8076080-81	PLINTH	1 Pc's	
123	8076075-81	COVER FOR FAN HOUSING	1 Pc's	
127	8052641	Collar Vent Exhaust TD	1 Pc's	
128	8052640-81-UL	Exhaust lid titanium	2 Pc's	
130	8053980	Stacking Bracket All TDs	2 Pc's	Sold by the each
132	8064114	Pair, Holders, TD Feet/Stacking	1 Pc's	
134	8079947	REAR PANEL OUTER PUNCHED TD25	1 Pc's	
134-a	8900338	Screw 20 Torx Self Tapping	10 Pc's	
136	8061915	Cable Holder T700	1 Pc's	
139	8061618	BASE PAN WMD20	1 Pc's	
140	8059334	Leveling Leg Comp WMD 20	4 Pc's	
141	8801175-91	SIDE PLATE COMPL.LEFT TD20 EXH	1 Pc's	
141	8801176-91	SIDE PLATE COMPL.RIGHT TD20EXH	1 Pc's	
142	8801176-91	SIDE PLATE COMPL.RIGHT TD20EXH	1 Pc's	



## Lower session

### ASKO, T783 US - SS (TD60.2)

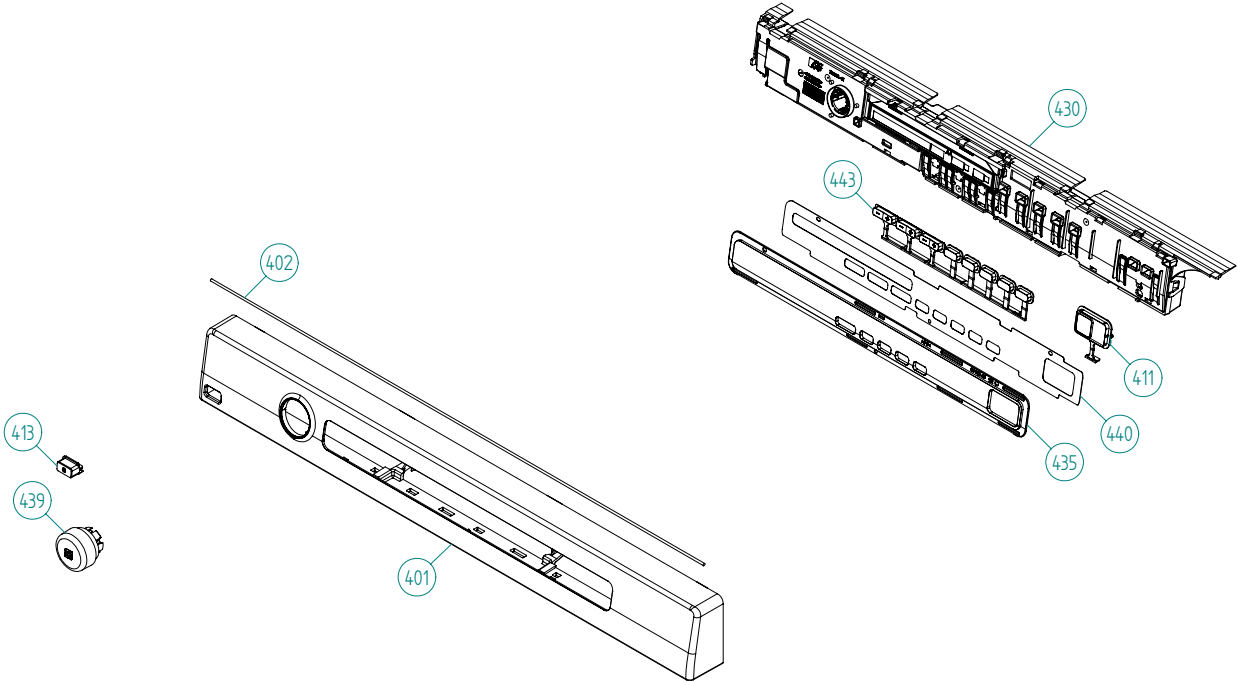
Pos	Spare part No.	Description	Qty	Comment
206	8061895	MOTOR COMPL. 60HZ TD20	1 Pc's	
206-a	8901969	Screw	4 Pc's	
206-b	8080119	CAPACITOR 8UF 450V P2 CLASS	1 Pc's	
208	8065797	Fan impeller T711	1 Pc's	
210	8052638	T-Tube w/o Recirc holes	1 Pc's	
211	8052639	Exhaust Canal Bend	1 Pc's	
220	8801214	Idler Arm Comp 02/05 TD Repl	1 Pc's	
235	8077484-49	COVER FOR FAN HOUSING	1 Pc's	



## Cylinder and related parts

### ASKO, T783 US - SS (TD60.2)

Pos	Spare part No.	Description	Qty	Comment
301	8801322	FRONT FRAME COMPL. TD60	1 Pc's	
301-a	8902066	SCREW A2-PTK 35X14 WN1453 PF	4 Pc's	
302	8073830	Halogen Lamp	1 Pc's	
304	8061932-49	Lamp housing lid grey TD21	1 Pc's	
305	8077518	LAMP SOCKET	1 Pc's	
306	8061887	Lamp Chimney	1 Pc's	
309	8052622	Drum Roller Frt TD	2 Pc's	
309-a	8901337	Washer	2 Pc's	
309-b	8901193	Locking Nut	2 Pc's	
309-c	8901028	Screw	2 Pc's	
310	8083344	THERMISTOR TD	1 Pc's	
311	8052589-49	PADDLE TD	2 Pc's	
313	8801267	KIT DRIVEBELT+TENSIONER SPRING	1 Pc's	
313	8065710	Belt - Repl by 8801267	1 Pc's	
314	8052632	Bushing Rear Drum 03/05 TD	1 Pc's	
314-a	8901130	SCREW A4-MVBF M8X40 7,9-8,0 HG	1 Pc's	
315	8076335	REAR PANEL INNER TD25	1 Pc's	
317	8064440	Felt sealing rear	1 Pc's	
318	8079449	CYLINDER COMPL. TD	1 Pc's	
318	8079493	CYLINDER COMPL. TD	1 Pc's	
320	8004439	Bearing Dryer Rear Panel All	1 Pc's	
321	8079288	HEATING ELEMENT 3000W	1 Pc's	
321-a	8900369	Screw T25	2 Pc's	
321-b	8901415	LOCK WASHER AZ 5,3 GALV	2 Pc's	
323	8079291	THERMISTOR	1 Pc's	
323-a	8900327	Screw 20 Torx Self Tapping	1 Pc's	
326	8079737	THERMOSTAT 150C UL	1 Pc's	

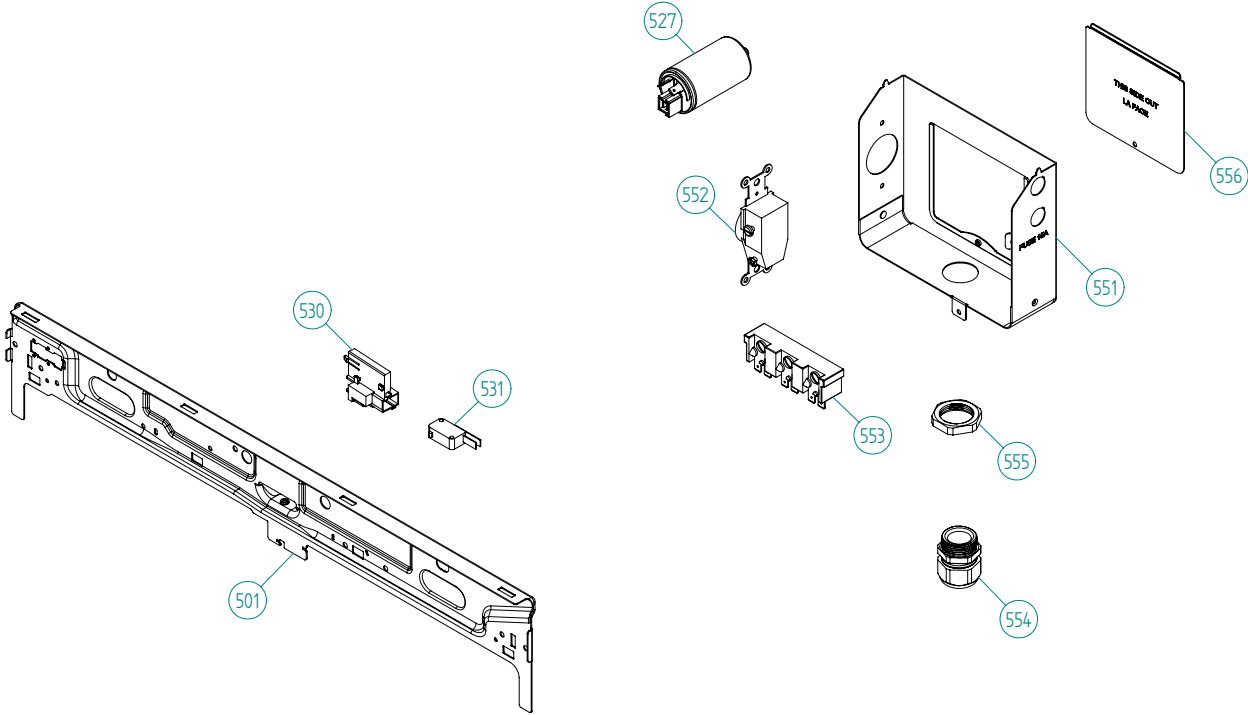




## ***Control panel***

### **ASKO, T783 US - SS (TD60.2)**

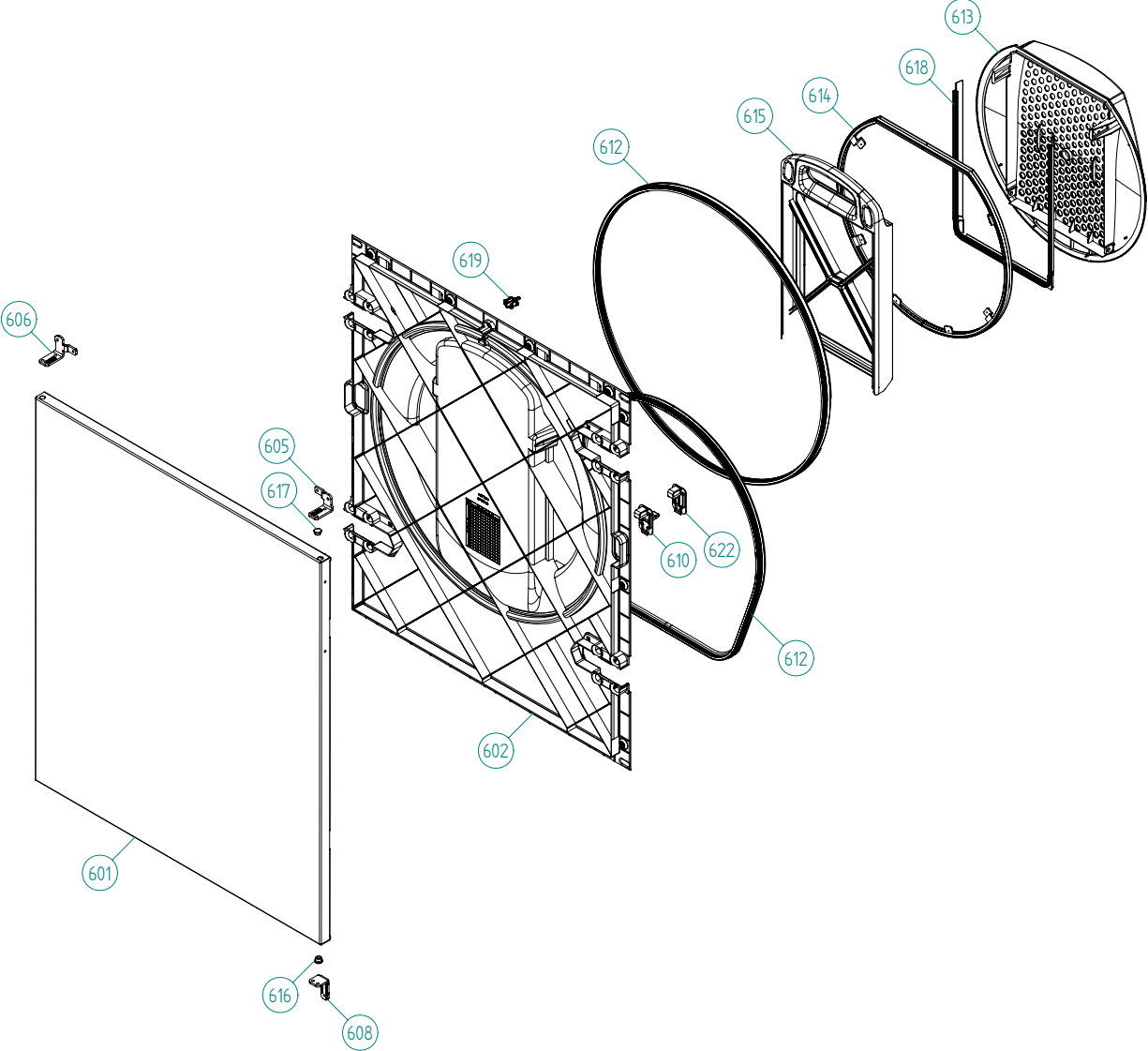
<b>Pos</b>	<b>Spare part No.</b>	<b>Description</b>	<b>Qty</b>	<b>Comment</b>
401	8083062-81-UL	PANEL ASKO T783	1 Pc's	
402	8079749	O-RING CORD CELLULAR RUBBER	1 Pc's	
411	8081749-81	PUSHBUT. START/STOP PRINTED TD	1 Pc's	
413	8081710-81	PUSHBUTTON MAIN SWITCH WMD60.2	1 Pc's	
430	8080604	CONTROL UNIT TD60.2	1 Pc's	
435	8081805	LENS 5-OPTIONS TD60.2	1 Pc's	
440	8082160-81	DECOR PLATE 5-OPTIONS TD60.2	1 Pc's	
441	8082163-33	ASKO A	1 Pc's	
442	8082421-81-UL	KNOB ASKO WMD60.2 COMPL.	1 Pc's	
443	8081527-81	KEY SET 8-BUTTONS	1 Pc's	
490	8083034	INSTRUCT. T783 ENGLISH US/CA	1 Pc's	
490	8083035	INSTRUCT. T783 FRENCH US/CA	1 Pc's	



## Upper session

### ASKO, T783 US - SS (TD60.2)

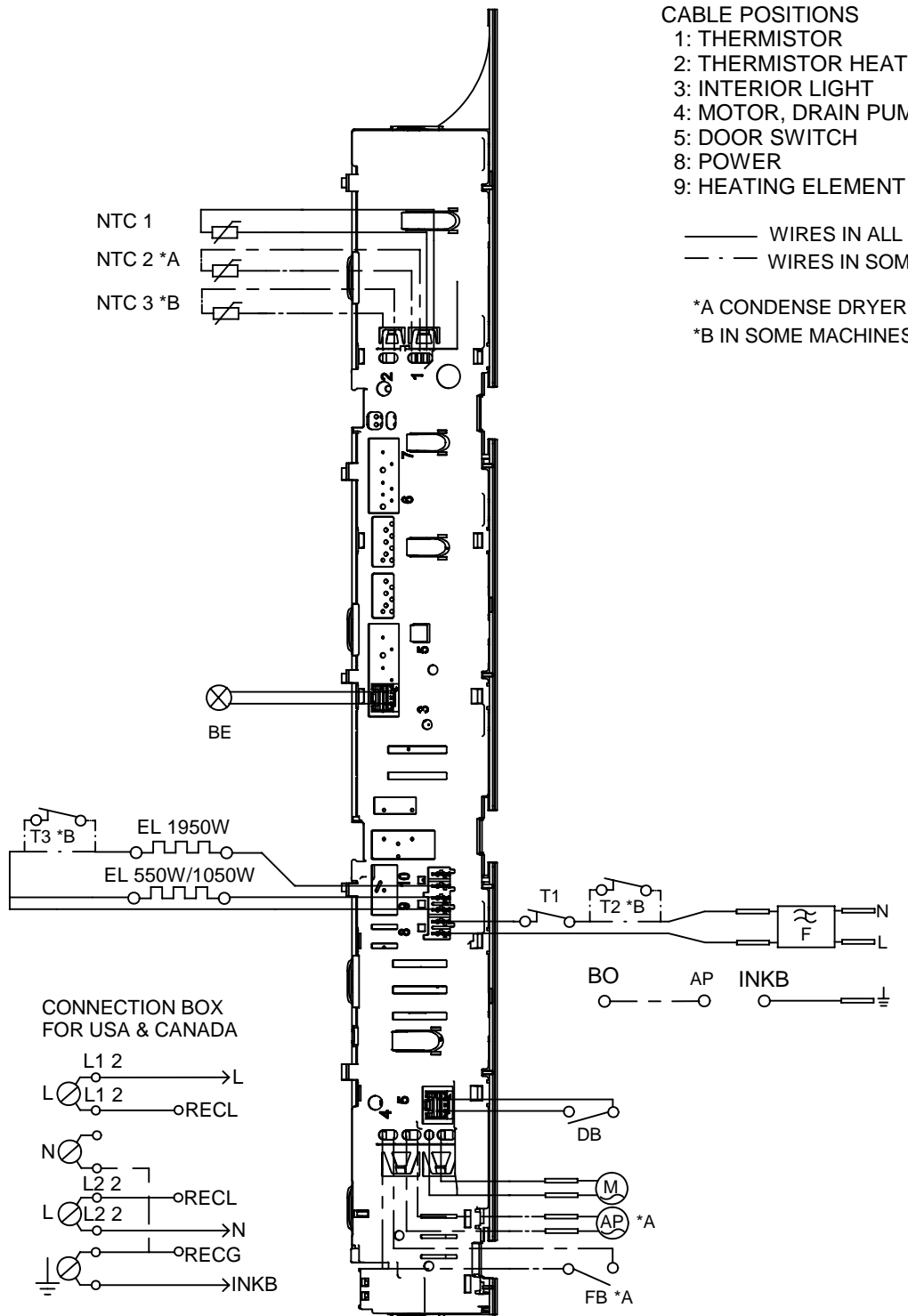
Pos	Spare part No.	Description	Qty	Comment
501	8076029	FRONTBEAM	1 Pc's	
501-a	8900338	Screw 20 Torx Self Tapping	2 Pc's	
501-b	8901413	Lock Washer laundry tops	2 Pc's	
527	8076202	EMC-FILTER WITH INDUCTOR	1 Pc's	
527-a	8901155	Nut	1 Pc's	
527-b	8901419	Lock Washer	1 Pc's	
529	8079837	CABLE SET T TD	1 Pc's	
529	8079842	CABLE SET MO TD	1 Pc's	
529	8079845	CABLE SET NTC-V TD	1 Pc's	
529	8083020	CABLE SET BE TD	1 Pc's	
529	8083027	CABLE SET EL TD	1 Pc's	
529	8082567	CABLE SET P TD	1 Pc's	
529	8083019	CABLE SET LB TD	1 Pc's	
530	8077519	BRACKET FOR DOOR SWITCH	1 Pc's	
531	8073836	MICROSWITCH DOOR	1 Pc's	
551	8076324	Connection box T711	1 Pc's	
552	8061033	Subs to 8061455	1 Pc's	
553	8061891	Terminal Block DryerTD 20	1 Pc's	
554	8060462	Grommet	1 Pc's	
554	8078291	GROMMET 94793	1 Pc's	
555	8060463	Lock Nut	1 Pc's	
556	8063756	Cover Terminal block T700s	1 Pc's	
556-a	8901097	Screw Terminal	1 Pc's	



## Outer door

### ASKO, T783 US - SS (TD60.2)

Pos	Spare part No.	Description	Qty	Comment
601	8076033-91	OUTER DOOR FPR	1 Pc's	
601-a	8900352	Screw Access Panel 05/06	6 Pc's	
602	8083557-49	DOOR INNER PART	1 Pc's	
602-a	8902068	Screw	5 Pc's	
605	8077599-81	HINGE UPPER R	1 Pc's	
605-a	8900327	Screw 20 Torx Self Tapping	3 Pc's	
606	8079489-81	HINGE UPPER L	1 Pc's	
606-a	8900327	Screw 20 Torx Self Tapping	3 Pc's	
608	8076032-81	HINGE DOOR LOWER	1 Pc's	
608-a	8901097	Screw Terminal	2 Pc's	
610	8077485-49	LOCK CATCH	1 Pc's	
612	8077494	DOOR SEALING OUTER	1 Pc's	
612	8082978	DOOR SEALING TD60	1 Pc's	
613	8079750-49	FILTER HOLDER COMPL.	1 Pc's	
614	8065274	Filter bracket T711	1 Pc's	
615	8077490-49	LINT FILTER COMPL.	1 St	
616	8061865-81	Hinge Bearing 700 Series	2 Pc's	
617	8061953-81	door plug titanium	1 Pc's	
618	8079247	SEALING FILTER BRACKET INNER	1 Pc's	
619	8077488-49	DOOR PIN	1 Pc's	
622	8076079-49	COVER FOR LOCK/LOCK HOOK	1 Pc's	
622	8076079-81	COVER FOR LOCK/LOCK HOOK	1 Pc's	



**CABLE POSITIONS**

- 1: THERMISTOR
- 2: THERMISTOR HEATER
- 3: INTERIOR LIGHT
- 4: MOTOR, DRAIN PUMP, FLOAT SWITCH
- 5: DOOR SWITCH
- 8: POWER
- 9: HEATING ELEMENT

—— WIRES IN ALL MACHINES  
 - - - WIRES IN SOME MACHINES

\*A CONDENSE DRYER  
 \*B IN SOME MACHINES

RESISTANCES AT ROOM TEMPERATURE (CA. 20°C/68°F)  
 VALUES WITH +/-10% ARE REGARDED AS NORMAL  
 COMPONENT

F: RADIO INTERFERENCE SUPPRESSION FILTER	680K Ohm
NTC 1: THERMISTOR 1	4 - 6 K Ohm
NTC 2: THERMISTOR 2:	4 - 6 K Ohm
NTC 3: THERMISTOR 3:	12 - 8 K Ohm
AP: DRAIN PUMP:	111 Ohm
EL: HEATING ELEMENT 550W	91.4 Ohm
EL: HEATING ELEMENT 1050W	45.3 Ohm
EL: HEATING ELEMENT 1950W	20.5 Ohm
MO: MOTOR	
T1: THERMOSTAT, OVERHEATING (HEATER)	
T2: THERMOSTAT, FAN HOUSING	
T3: THERMOSTAT, OVERHEATING (HEATER)	
FB: FLOAT SWITCH	
DB: DOOR SWITCH	
BE: INTERIOR LIGHT	



**SERVICE MENU**

TURN OFF POWER (S1)  
 WAIT FOR AT LEAST 5 SEC  
 HOLD S2 OR S3  
 TURN ON POWER (S1)  
 PRESS S2 OR S3 3 TIMES TO ENTER SERVICE MENU

PRESS STOP (S9) TO CHANGE MENU STEP  
 ROTATE DIAL TO CHANGE IN STEP  
 PRESSING START (S8) STORES AND EXITS SERVICE MENU

STEP 1: PRODUCT DATA  
 STEP 2: FAILURE DATA  
 STEP 3: COMPONENT TEST

**TOTAL RESET**

TURN OFF POWER (S1)  
 WAIT FOR AT LEAST 5 SEC  
 HOLD STOP (S9)  
 TURN ON POWER (S1)

CIRCUIT DIAGRAM TD60.2

80 807 13 - 00

This document must not be copied without our written permission, and the contents thereof must not be imparted to a third party nor be used for any unauthorized purpose. Contravention will be prosecuted.  
 Asko Cylinda AB