

Spare Parts Catalogue

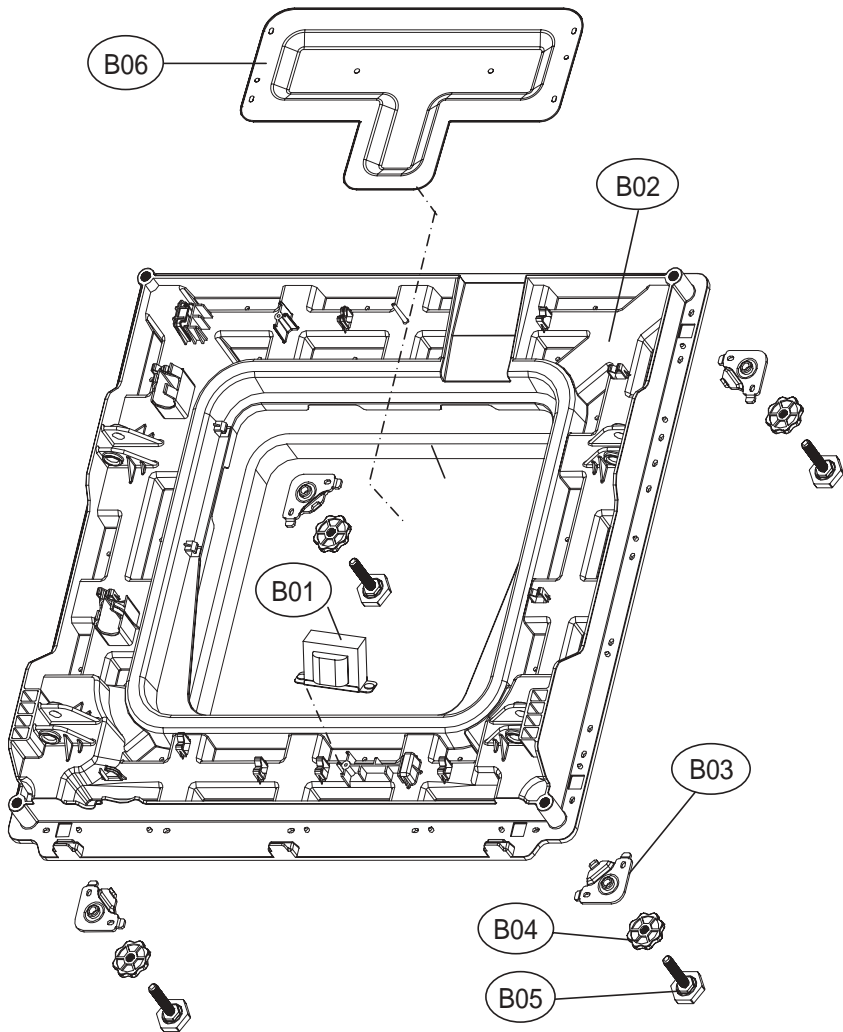
ASKO Washing Machines \ ASKO XXL Series
Type: WL6532
Model: WL6532XXL Front loader

Prod. No: 1076532PP
April 6th 2010

ASKO Appliances Inc.

4001 E Plano Parkway #1004001 E Plano Parkway #100
Plano, Texas 75074

2. BASE UNIT ASS'Y

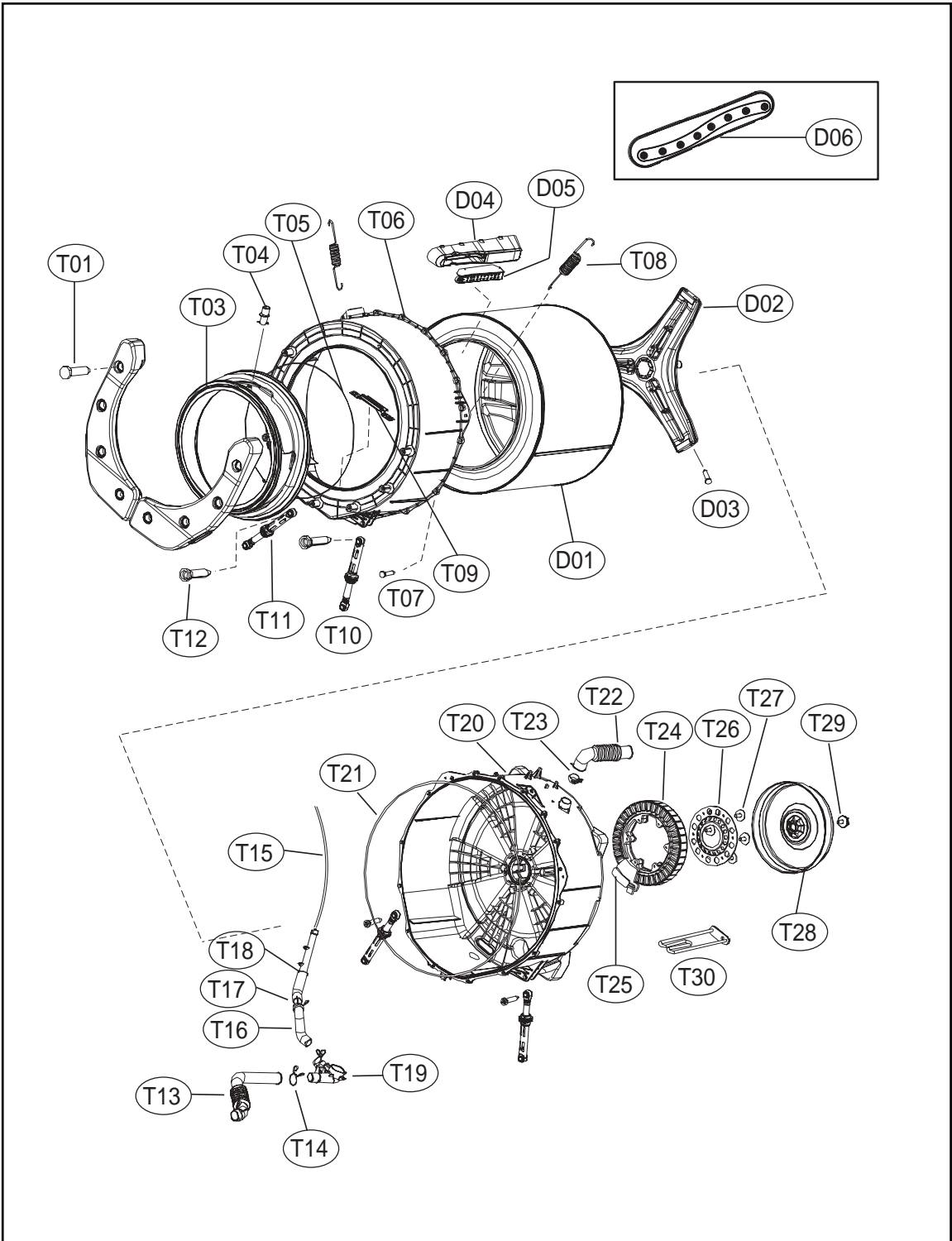


Base

ASKO, WL6532XXL - Front loader #1076532PP (WL6532)

Pos	Spare part No.	Description	Qty	Comment
B01	52G043A110	Voltage Regulator	1 Pc's	
B02	3610392700	Base	1 Pc's	
B02-a	7122401411	Screw - Self Tapping	20 Pc's	
B03	3615303600	Leg Support	4 Pc's	
B04	3612006400	Leg Locking Nut	4 Pc's	
B05	3612100700	Leg Adjustable	4 Pc's	
B05-a	7122401411	Screw - Self Tapping	2 Pc's	
B06	3618304600	Heater Protection Plate	1 Pc's	
B06-a	7122401411	Screw - Self Tapping	4 Pc's	

3. SUPPORT DRUM REAR ASS'Y



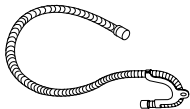
Drum Assembly

ASKO, WL6532XXL - Front loader #1076532PP (WL6532)

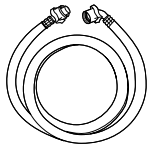
Pos	Spare part No.	Description	Qty	Comment
D01	3617008X10	DRUM SUB AS	1 Pc's	
D02	361A300600	Spider - Inner Drum	1 Pc's	
D03	3616029500	Screw - Spider	6 Pc's	
D04	361A400700	Tub Paddle	3 Pc's	
D05	3610917310	Paddle Filter Cap	3 Pc's	
D05-a	3611908410	Paddle Filter	3 Pc's	
D05b	3611908500	FILTER NET	3 Pc's	
D05-b	3611908500	FILTER NET	3 Pc's	
D06	361A401400	LIFTER WASH	3 Pc's	
T01	3616029400	Screw - Weight Balancer	8 Pc's	
T02	3616110100	BALANCER WEIGHT AS(L)	1 Pc's	
T02	3616110200	BALANCER WEIGHT AS(R)	1 Pc's	
T03	3612322000	Tub Gasket	1 Pc's	
T04	3618104000	Shower Nozzle	1 Pc's	
T05	3611205300	Clamp - Tub Gasket	1 Pc's	
T06	3618828Y00	Outer Tub Front	1 Pc's	
T07	3616029800	Tub Screw	15 Pc's	
T08	3615114800	Suspension Spring	2 Pc's	
T09	3612006700	Heater Clip	1 Pc's	
T10	361A700300	Spring Leg - Right Front/Rear	2 Pc's	
T11	361A700110	Spring Leg - Left Front/Rear	2 Pc's	
T12	361A700200	Pin - Spring Leg	8 Pc's	
T13	3613269000	Hose - Drain Pump	1 Pc's	
T14	3611203410	Hose Clamp	2 Pc's	
T15	3613270600	Hose, Pressure Switch	1 Pc's	
T16	3613269700	Hose - Air Trap	1 Pc's	
T17	3611204700	Hose Clamp	2 Pc's	
T18	361A500101	Air Trap	1 Pc's	
T19	36196TAM00	Drain Housing	1 Pc's	
T20	36100E2W00	TUB REAR AS	1 Pc's	
T21	3612322100	GASKET TUB	1 Pc's	
T22	3613266300	Upper Bellows Hose	1 Pc's	
T23	3611203400	Hose Clamp	2 Pc's	
T24	36189L4840	Motor Unit	1 Pc's	
T25	3626D01002	BLDC HALL IC	1 Pc's	
T26	3610609700	Motor Unit Bracket	1 Pc's	
T27	3616063400	Bolt, Motor	6 Pc's	
T28	36189L4900	Rotor Unit	1 Pc's	
T29	3616029600	Bolt- Rotor	1 Pc's	To affix Rotor Unit to Spider Shaft
T30	3612801740	Heating Element	1 Pc's	
T30a	361AAAAB20	Thermistor	1 Pc's	

8. WASHER INSTALL ACCESSORIES

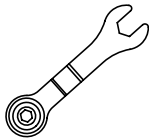
A01



A02



A03



A04



A05

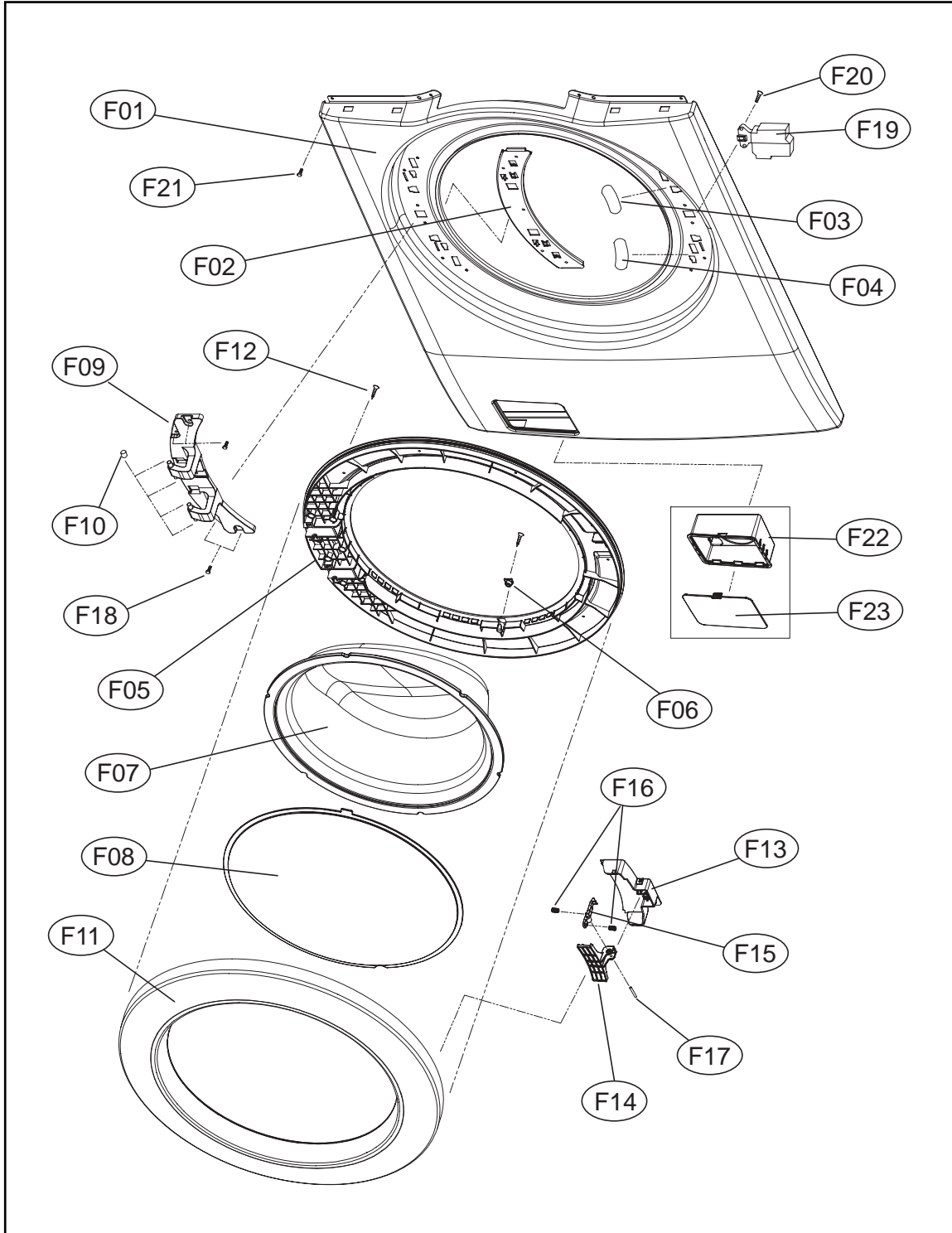


Accessories

ASKO, WL6532XXL - Front loader #1076532PP (WL6532)

Pos	Spare part No.	Description	Qty	Comment
A01	3613268500	Drain Hose	1 Pc's	
A01	3612502300	Drain Hose Bracket	1 Pc's	
A01-a	3612502300	Drain Hose Bracket	1 Pc's	
A02	3613271500	Inlet Hose - Cold	1 Pc's	
A02	3613271510	Inlet Hose - Hot	1 Pc's	
A03	36189L3X00	Unit Wrench	1 Pc's	
A04	4589A61600	Owners Manual	1 Pc's	
A05	3610916400	Back Cover Cap	4 Pc's	

5. CABINET FRONT ASS'Y



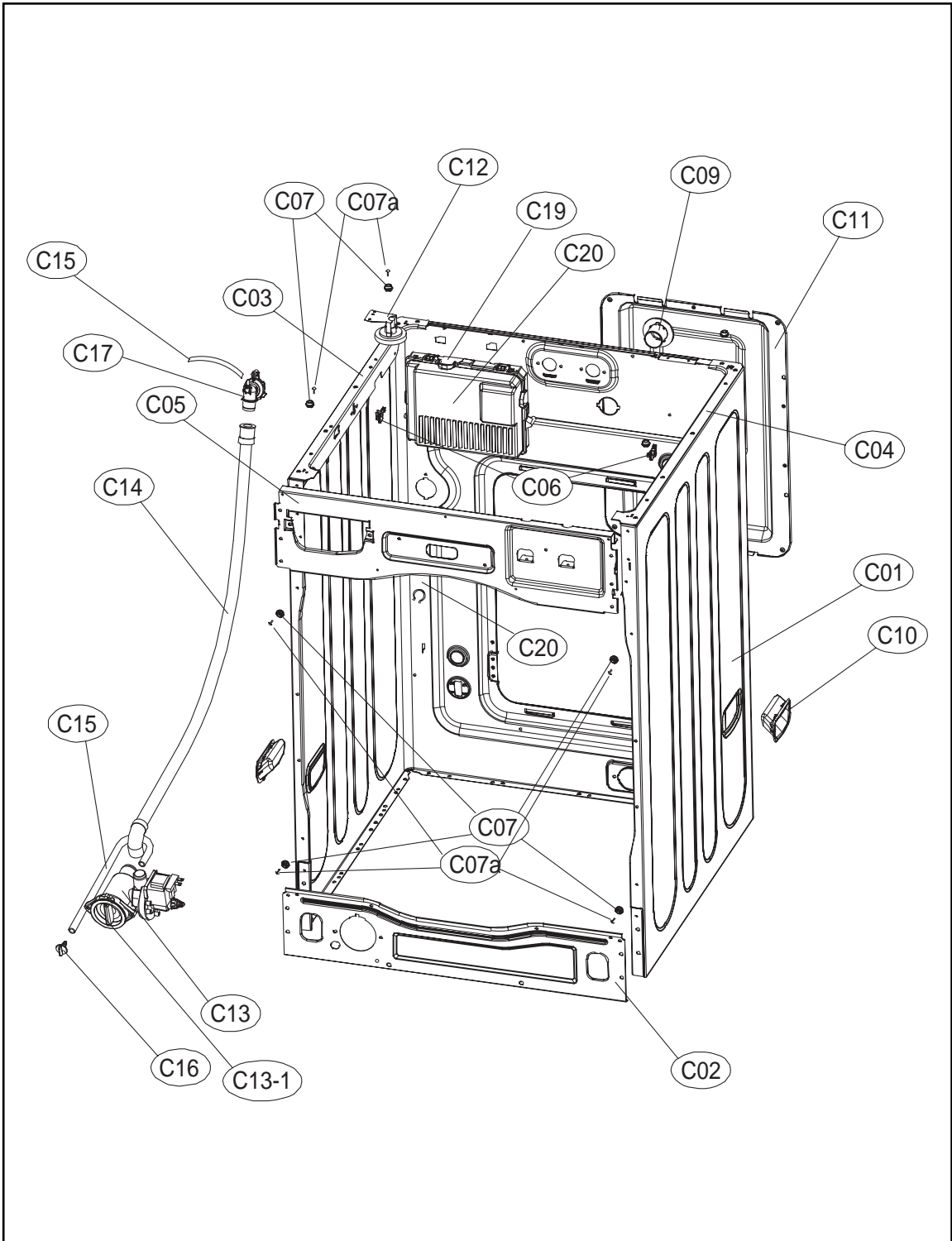
Cabinet Front

ASKO, WL6532XXL - Front loader #1076532PP (WL6532)

Pos	Spare part No.	Description	Qty	Comment
F01	3610811321	WM Front Panel XXL Plat	1 Pc's	
F02	3615304001	SUPPORTER HINGE	1 Pc's	
F03	3613555800	Safety Label	1 Pc's	
F04	3613558500	Warning Label	1 Pc's	
F05	3612206800	Door Frame - Inner	1 Pc's	
F06	3615202300	Door Stopper	1 Pc's	
F07	361A110600	Door Glass	1 Pc's	
F08	3618304300	Door Glass Protection	1 Pc's	
F09	3612902900	Door Hinge	1 Pc's	
F09-a	3616051229	Screw - Self Tapping	4 Pc's	
F10	3610916500	Door Hinge Cap	4 Pc's	
F11	3612206900	Door Frame - Outer	1 Pc's	
F12	7115402029	Screw - Self Tapping	16 Pc's	
F13	3612609320	Door Handle & Latch Compl	1 Pc's	Includes F13,F14,F15,F16,F17
F14	3612609000	Door Handle	1 Pc's	Included w/3612609320
F15	3613100800	Door Hook	1 Pc's	Included w/3612609320
F16	3615113700	Hook Spring	2 Pc's	Included w/3612609320
F17	3618200100	Handle Pin	1 Pc's	Included w/3612609320
F19	3619046410	Door Switch Lock	1 Pc's	
F19-a	7122401608	Screw - Self Tapping	2 Pc's	
F22	3611141400	Drain Pump Case	1 Pc's	
F23	3611426800PP	Drain Pump Case Cover	1 Pc's	

■ PARTS LIST BY ASSY

1. CABINET AS

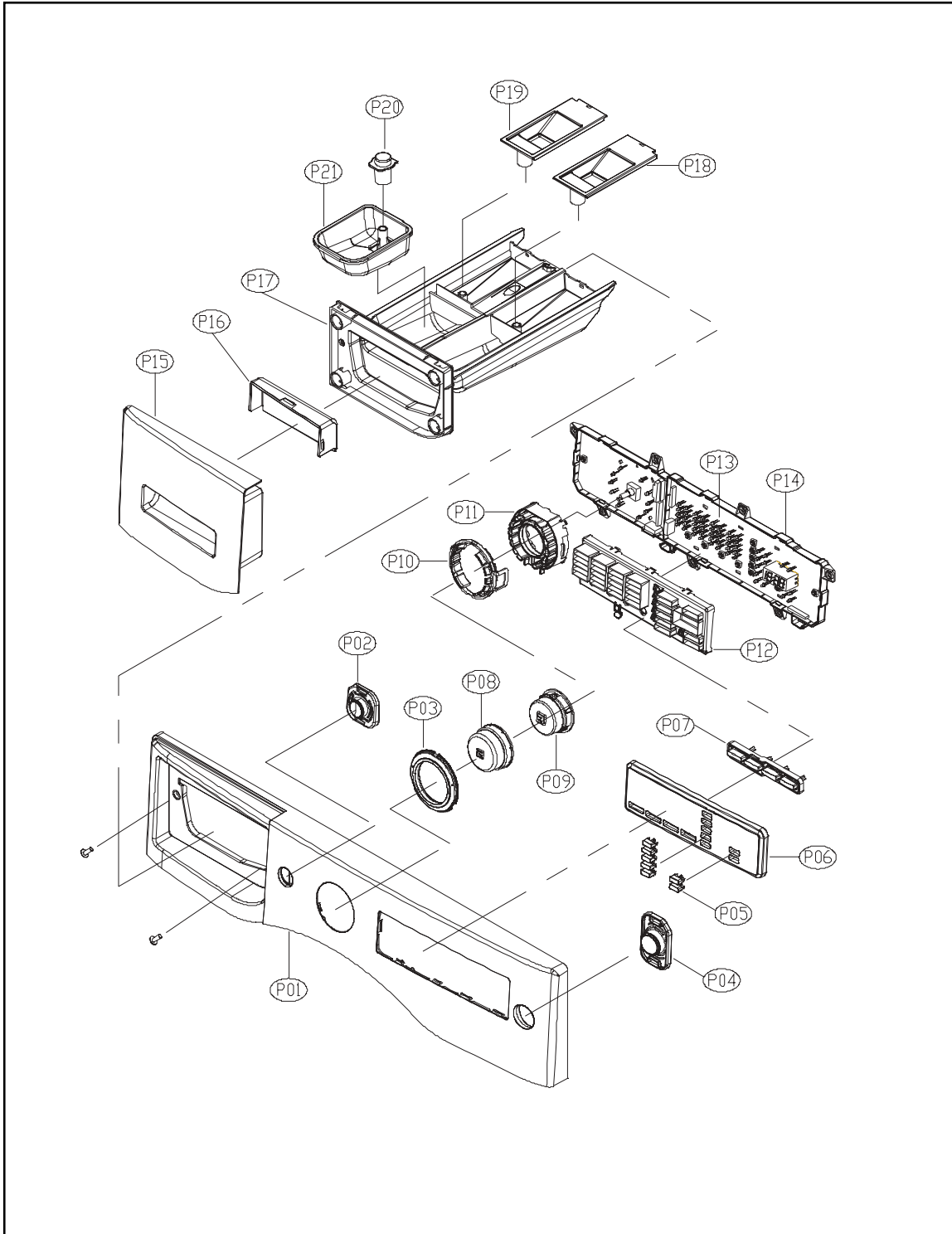


Cabinet

ASKO, WL6532XXL - Front loader #1076532PP (WL6532)

Pos	Spare part No.	Description	Qty	Comment
C02	3612206700	Front Frame - Lower	1 Pc's	
C03	3612206500	Frame Top - Left	1 Pc's	
C04	3612206600	Frame Top - Right	1 Pc's	
C05	3612208200	Front Frame - Upper	1 Pc's	
C05-a	7122401411	Screw - Self Tapping	6 Pc's	
C06	3615202200	Spring Clip	2 Pc's	
C07	3612008000	Panel Clip	6 Pc's	
C07-a	7121401211	Screw - Self Tapping	6 Pc's	
C09	3618103110	Air Nozzle	1 Pc's	
C10	3612608100	Cabinet Handle	2 Pc's	
C11	3611425530	Back Cover	1 Pc's	
C11-a	7122401411	Screw - Self Tapping	4 Pc's	
C12	3614825220	Pressure Sensor	1 Pc's	
C12-a	7122401411	Screw - Self Tapping	2 Pc's	
C13	36189L5600	Drain Pump	1 Pc's	
C13-a	3611910200	Pump Insert/Filter	1 Pc's	
C13-b	7122401411	Screw - Self Tapping	2 Pc's	
C14	3613271200	Drain Hose-Inner	1 Pc's	Includes C14,C14a,C17,C17-1
C14a	3610115600	Drain Hose Absorber	1 Pc's	
C14-a	3610115600	Drain Hose Absorber	1 Pc's	
C14-b	3611203900	Hose clamp	2 Pc's	
C15	3613272210	Siphon Hose	1 Pc's	
C15-a	7122401411	Screw - Self Tapping	1 Pc's	
C16	3610916800	Plug - Manual Drain Hose	1 Pc's	
C17	3616802600	Drain Hose Cuff	1 Pc's	
C19	PRPSSWAD19	PCB INVERTER AS	1 Pc's	
C20	3611427700	Cover - Main PCB	1 Pc's	
C20	3612796T00	Harness	1 Pc's	
C20-a	3613802300	Harness Clip	6 Pc's	
C20-b	3613802100	Harness Clip	2 Pc's	
C20-c	3613557100	UL Wiring Label	1 Pc's	

6. CONTROL PANEL ASS'Y

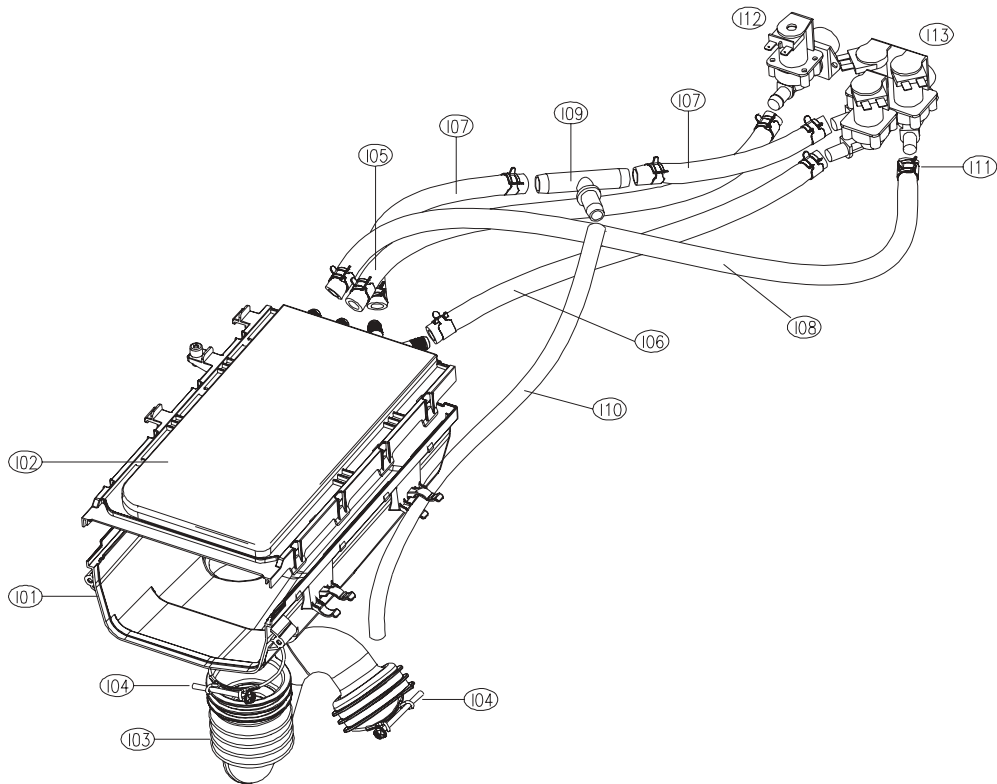


Control Panel

ASKO, WL6532XXL - Front loader #1076532PP (WL6532)

Pos	Spare part No.	Description	Qty	Comment
P01	3614288800PP	Control Panel	1 Pc's	
P02	3616637800PP	Power Button	1 Pc's	
P03	3615506300PP	Lens Cover - Prg Selector	1 Pc's	
P04	3616637900PP	Start Button	1 Pc's	
P05	3616638100PP	Option Button	7 Pc's	
P06	3615506400PP	Program Lens Cover	1 Pc's	
P07	3616638000PP	Program Option Button	1 Pc's	
P08	3616638200PP	Program Knob - Outer	1 Pc's	
P09	3616638300PP	Program Knob - Inner	1 Pc's	
P10	3613054700	Program Knob Lens	1 Pc's	
P11	3613054500	Program Knob Lens Holder	1 Pc's	
P12	3613054600	Lens Cover - Prg Option	1 Pc's	
P13	PRPSSWAD29	Control Unit - PCB Front	1 Pc's	
P14	3611147600	Control Unit Case - PCB Front	1 Pc's	
P14-a	7122401411	Screw - Self Tapping	7 Pc's	
P14-b	3613557800	LABEL WIRING	1 Pc's	
P15	3611147700PP	Det. Compartment Handle	1 Pc's	
P16	3612611400PP	Handle Cover	1 Pc's	
P17	3611145600	Det. Compartment Drawer	1 Pc's	
P18	3610917800	Softner Compartment	1 Pc's	
P19	3610917900	Bleach Compartment	1 Pc's	
P20	3610918000	Liquid Det. Syphon Cap	1 Pc's	
P21	3611145700	Liquid Det. Compartment	1 Pc's	

4. INLET SYSTEM ASS'Y

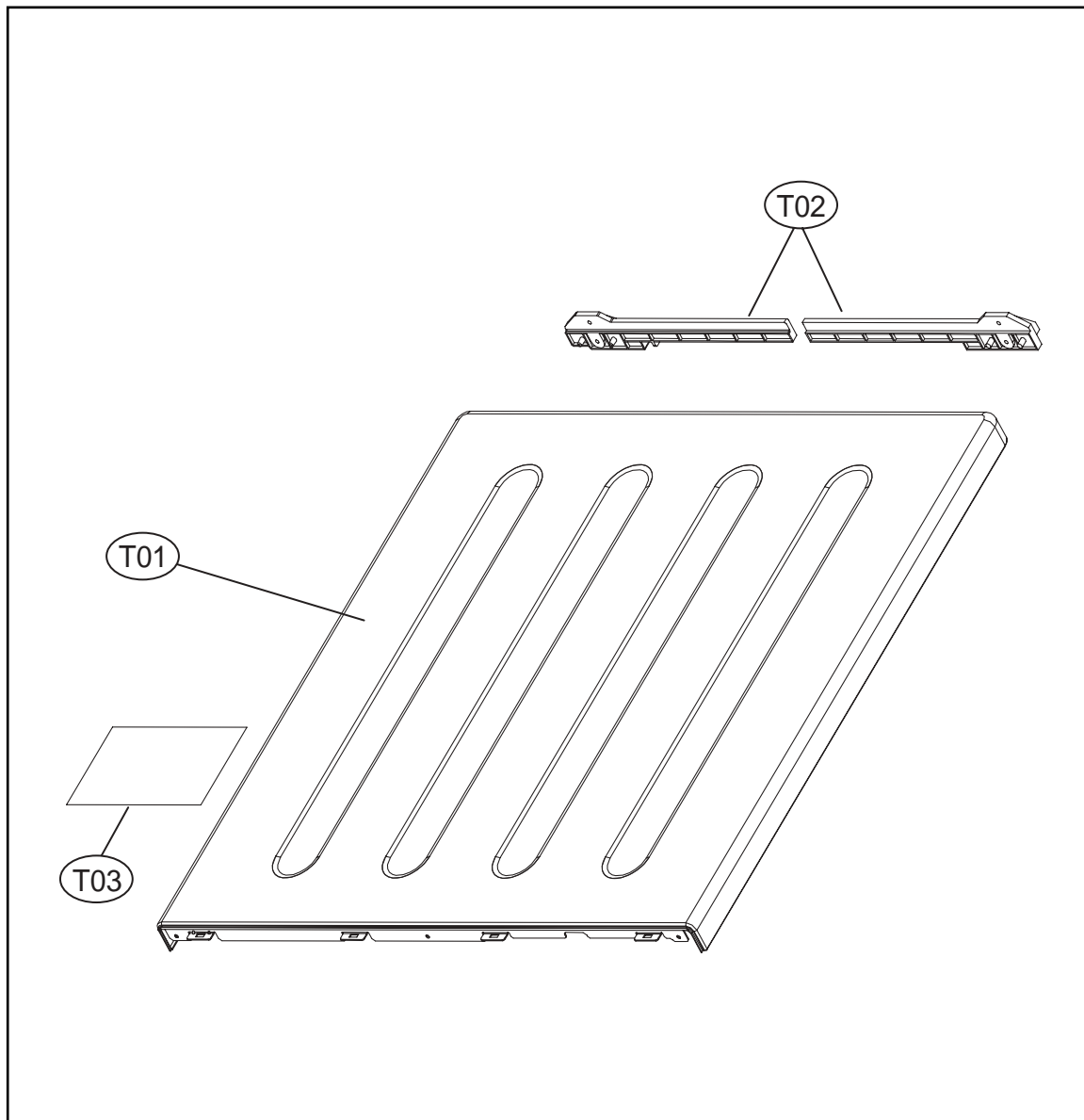


Inlet System

ASKO, WL6532XXL - Front loader #1076532PP (WL6532)

Pos	Spare part No.	Description	Qty	Comment
I01	3617510800	Water Inlet Compartment - Bottom	1 Pc's	
I02	3618104800	Water Inlet Compartment - Top	1 Pc's	
I03	3613270300	Bellows Hose, Tub	1 Pc's	
I04	3611203200	Clamp, Bellows Hose	2 Pc's	
I05-I08	3613270920	Inlet Hose - Hot Water	5 Pc's	
I09	3614413300	T Connector, Inlet Hose	1 Pc's	
I10	3613270130	Shower Hose	1 Pc's	
I11	3611205810	Spring Clamp	1 Pc's	
I12	3615416700	Inlet Valve, 1 way - Hot	1 Pc's	
I13	3615416930	Inlet Valve, 3 way - Cold	1 Pc's	
I13-a	7002400811	Screw - Self Tapping	4 Pc's	
I13-b	7122401411	Screw - Self Tapping	2 Pc's	

7. TOP PANEL ASS'Y



Top Lid

ASKO, WL6532XXL - Front loader #1076532PP (WL6532)

Pos	Spare part No.	Description	Qty	Comment
T01	PRMACA3R20	Top Panel Platinum	1 Pc's	
T02	3615304100	Top Panel Support	2 Pc's	
T02-a	7122401411	Screw - Self Tapping	4 Pc's	

