

Parts Manual

Column Built-in Panel Ready Refrigerator

BIRP24L0

BIRP24R0

BIRP30L0

BIRP30R0



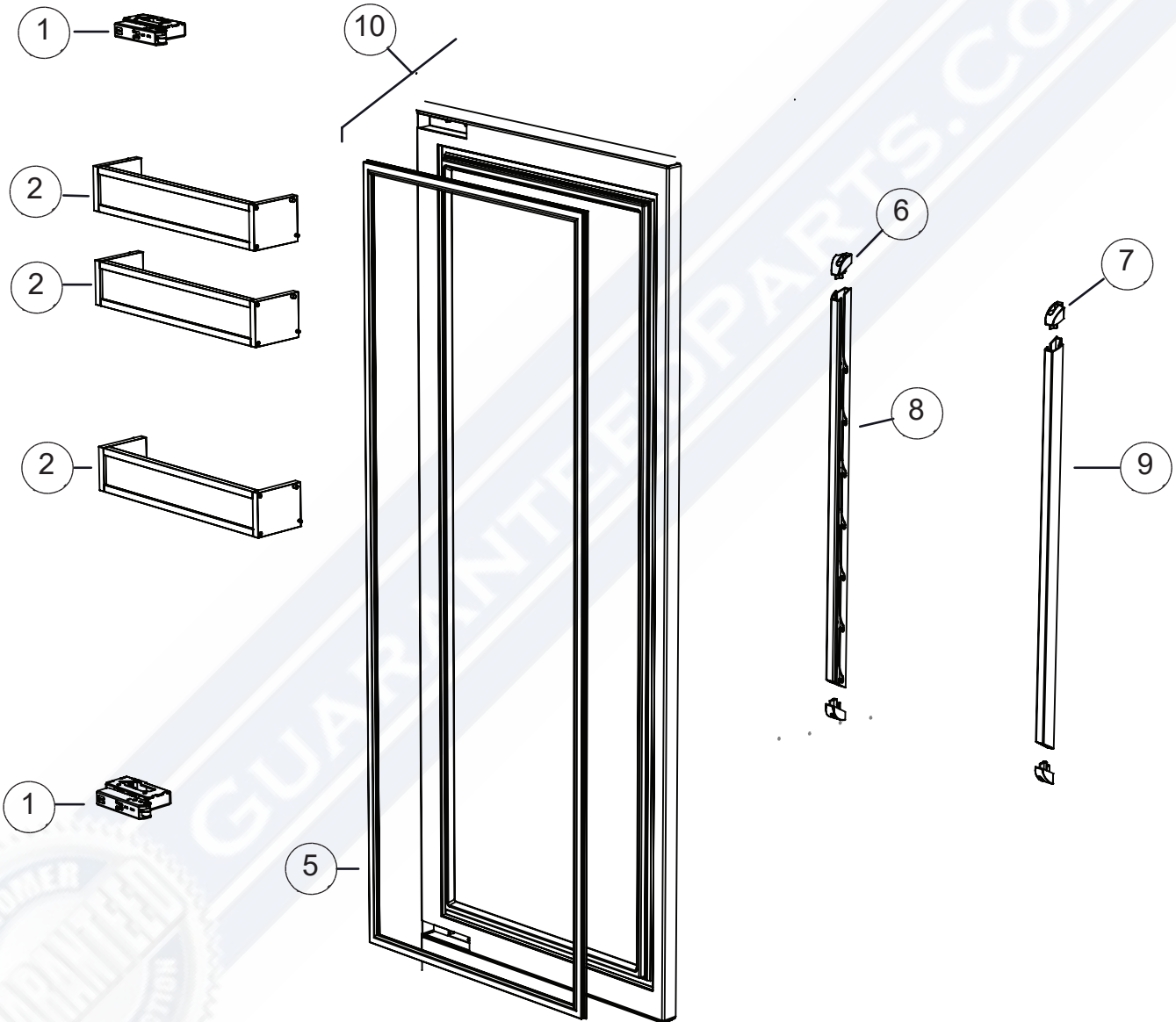
Table of Contents

Page	Description
1-2	Stainless Clad Door Assembly
3-4	Shelving Components
5-6	Sealed System Components

GUARANTEEDPARTS.COM



BIRP24_30 Panel Ready Door Assembly



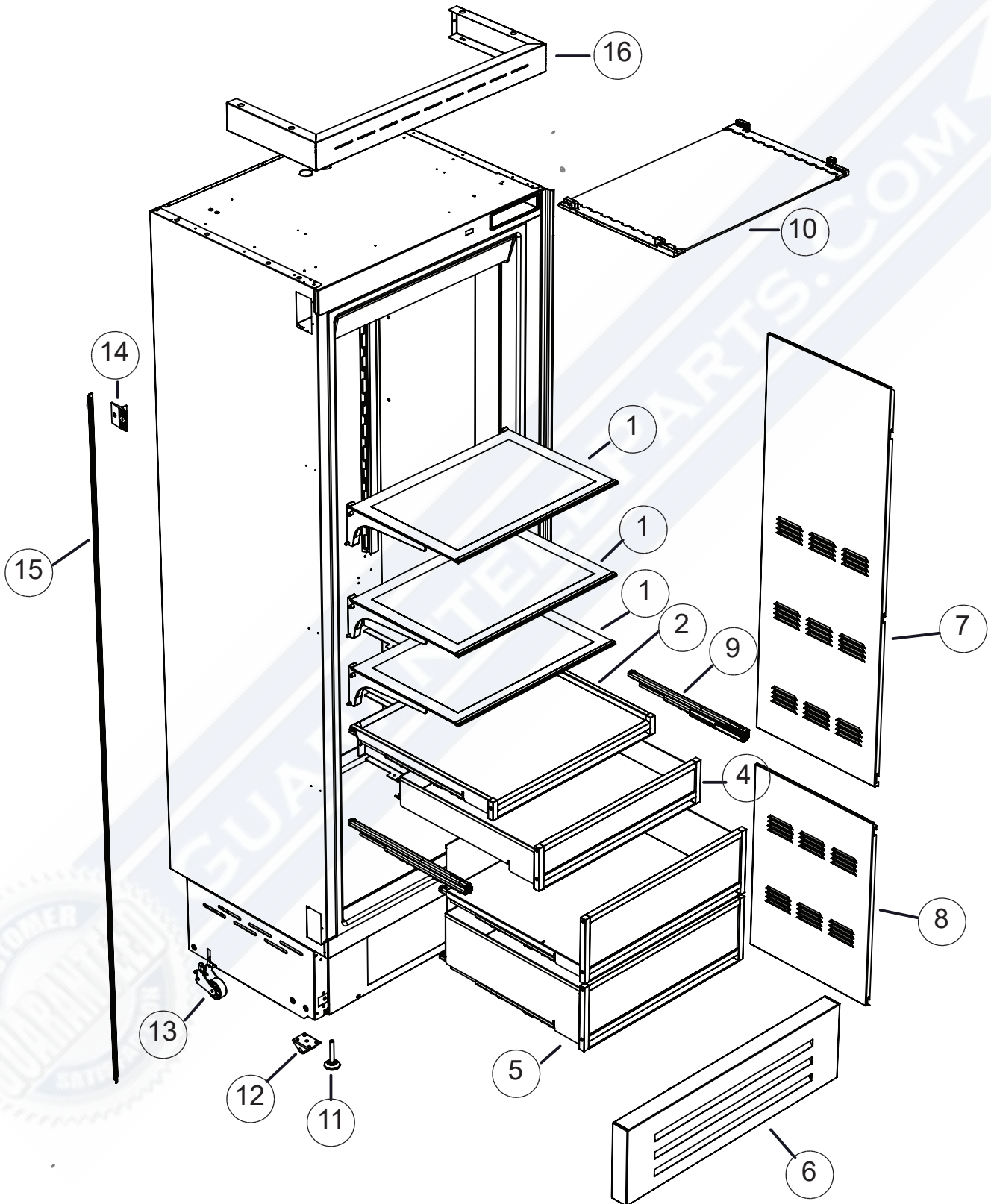
BIRP24_30 Panel Ready Door Assembly

Reference Number	Part Number	Part Name	Quantity
1	B03548900	SOFT OPENING HINGE, RH	1
1	B03549000	SOFT OPENING HINGE, LH	1
1	700554	HINGE, RH 24"	1
1	700555	HINGE, LH 24"	1
2	B03562400	SLIDING DOOR SHELF, 24"	1
2	B03538700	SLIDING DOOR SHELF, 30"	1
5	700581	MAGNETIC GASKET, DOOR 24", GRAY	1
5	700580	MAGNETIC GASKET, DOOR 30", GRAY	1
6	B02810480	PROFILE CAP	1
7	B02810580	PROFILE CAP	1
8	B05001700	LEFT PILLAR INNER DOOR	1
9	B05001700	RIGHT PILLAR INNER DOOR	1
10	700560	DOOR COMPLETE 24", RH	1
10	700561	DOOR COMPLETE 24", LH	1
10	700558	DOOR COMPLETE 30", RH	1
10	700559	DOOR COMPLETE 30", LH	1

GUARANTEED PARTS



BIRP24_30 Shelving Components

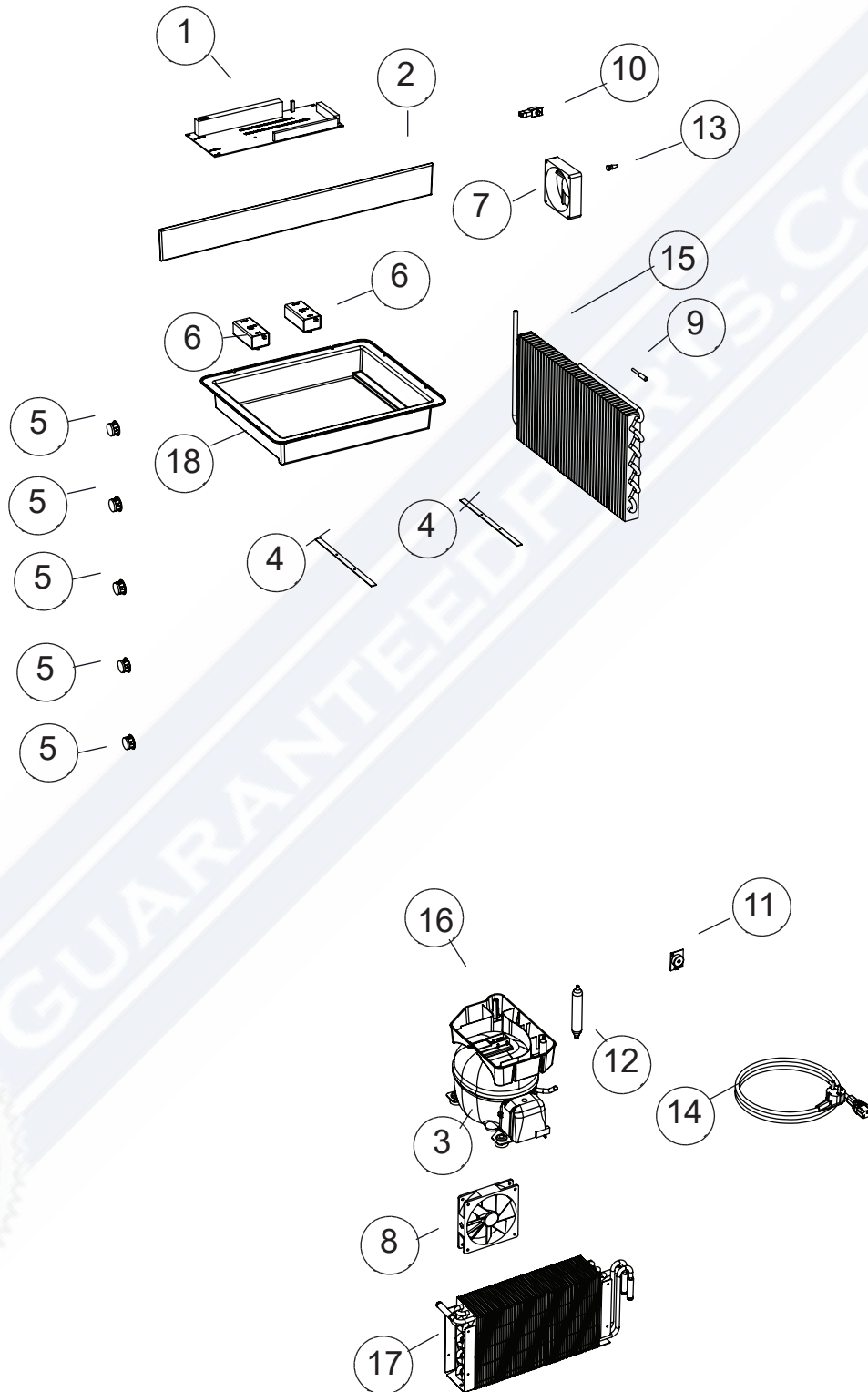


BIRP24_30 Shelving Components

Reference Number	Part Number	Part Name	Quantity
1	700519	GLASS SHELF, 24"	2
1	700515	GLASS SHELF, 30"	1
2	B03562500	SEPARATOR GLASS SHELF, 24"	1
2	B03538800	SEPARATOR GLASS SHELF, 30"	1
4	700512	FRIDGE DRAWER 24", SMALL	1
4	700511	FRIDGE DRAWER 30", SMALL	1
5	700514	FRIDGE DRAWER 24", LARGE	2
5	700513	FRIDGE DRAWER 30", LARGE	2
6	700543	VENTILATION GRILLE, 24"	1
6	700541	VENTILATION GRILLE, 30"	1
7	B02861900	CONVEYOR, UPPER	1
8	B02862000	CONVEYOR, LOWER	1
9	B03187901	FRIDGE SLIDING GUIDE, LEFT	1
9	B03188001	FRIDGE SLIDING GUIDE, RIGHT	1
10	B03452100	CEILING GLASS, 24"	1
10	B03452000	CEILING GLASS, 30"	1
11	700538	ADJUSTABLE FOOT	1
12	B03321700	FRONT WHEEL, COMPLETE	1
13	700539	REAR WHEEL, COMPLETE	1
14	LCMG	LATERAL MOUNTING CLIPS 10 PCS GRAY	10
15	700523	JOINING STRIP, GRAY	1
16	B03490901	TOP COMPENSATION, 24"	1
16	B03487801	TOP COMPENSATION, 30"	1



BIRP24_30 Sealed System Components



BIRP24_30 Sealed System Components

Reference Number	Part Number	Part Name	Quantity
1	700549	MAIN ELECTRONIC BOARD FREEZER	1
2	700521	USER INTERFACE, 24"	1
2	700520	USER INTERFACE, 30"	1
3	700526	COMPR.VCC VEMY3H CON INVERTER 24"	1
3	700524	COMPR.VCC VEMY5H CON INVERTER 30"	1
4	B02890400	LED LIGHT STRIP, 3 LED	2
5	700583	SPOT LED	5
6	B02892500	LED POWER SUPPLY	2
7	B03563300	FRIDGE FAN UNIT AIR CIRCULATION	1
8	700537	CONDENSER COOLING FAN	1
9	700535	NTC PROBE	1
10	B03491000	REED SWITCH, DOOR	1
11	B02200810	PCB BUZZER	1
12	700550	DEHYDRATOR FILTER	1
13	B01217450	FAN FIXING RUBBER (12PCS)	12
14	B02822100	MAIN CABLE	1
15	700528	EVAPORATOR LEFT SWING	1
15	700529	EVAPORATOR - 30F, 24F RIGHT SWING	1
16	B02508300	COMPRESSOR TRAY	1
17	700553	CONDENSER	1
18	B03447100	COVER BOARD WITH LED	1

GUARANTEED

