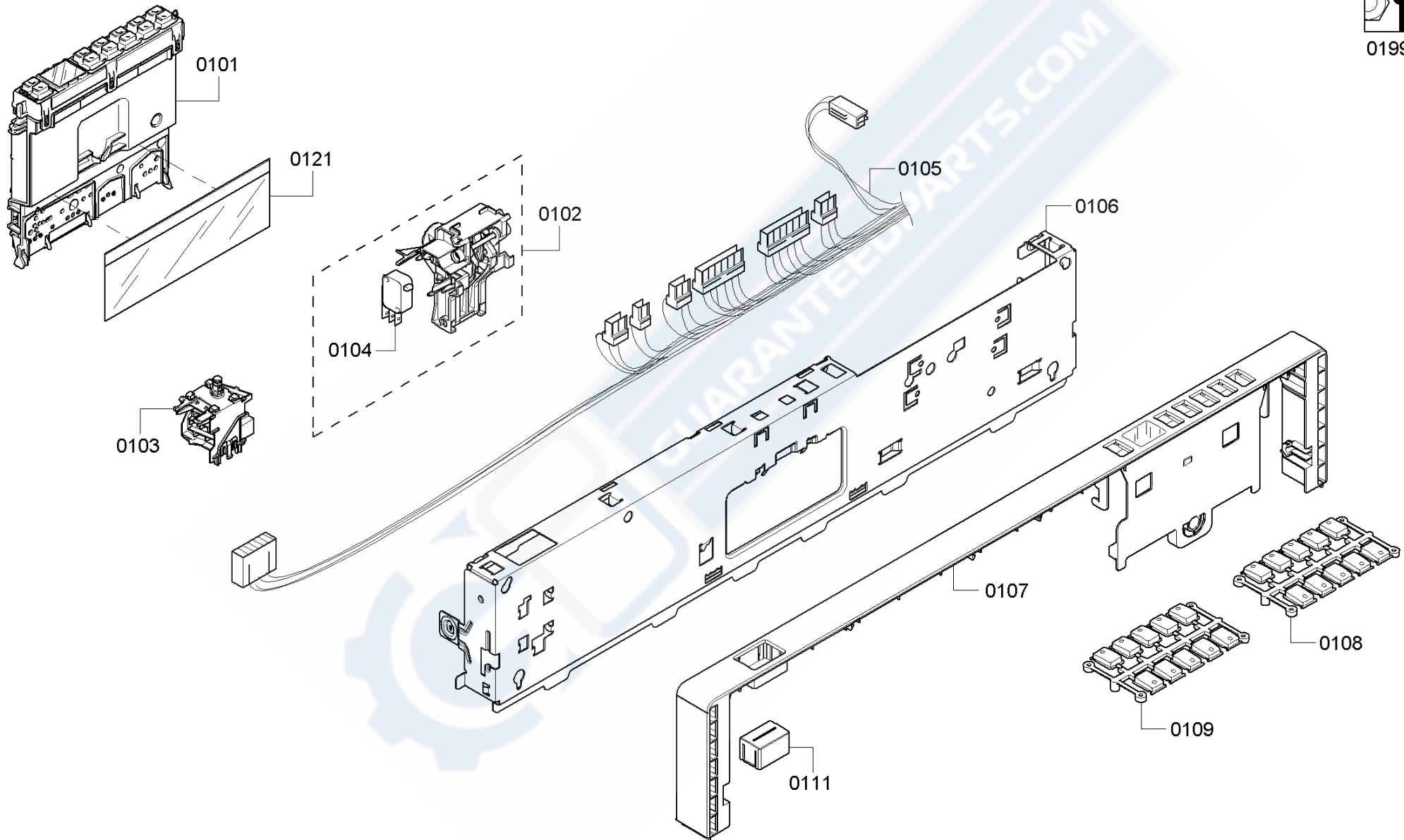
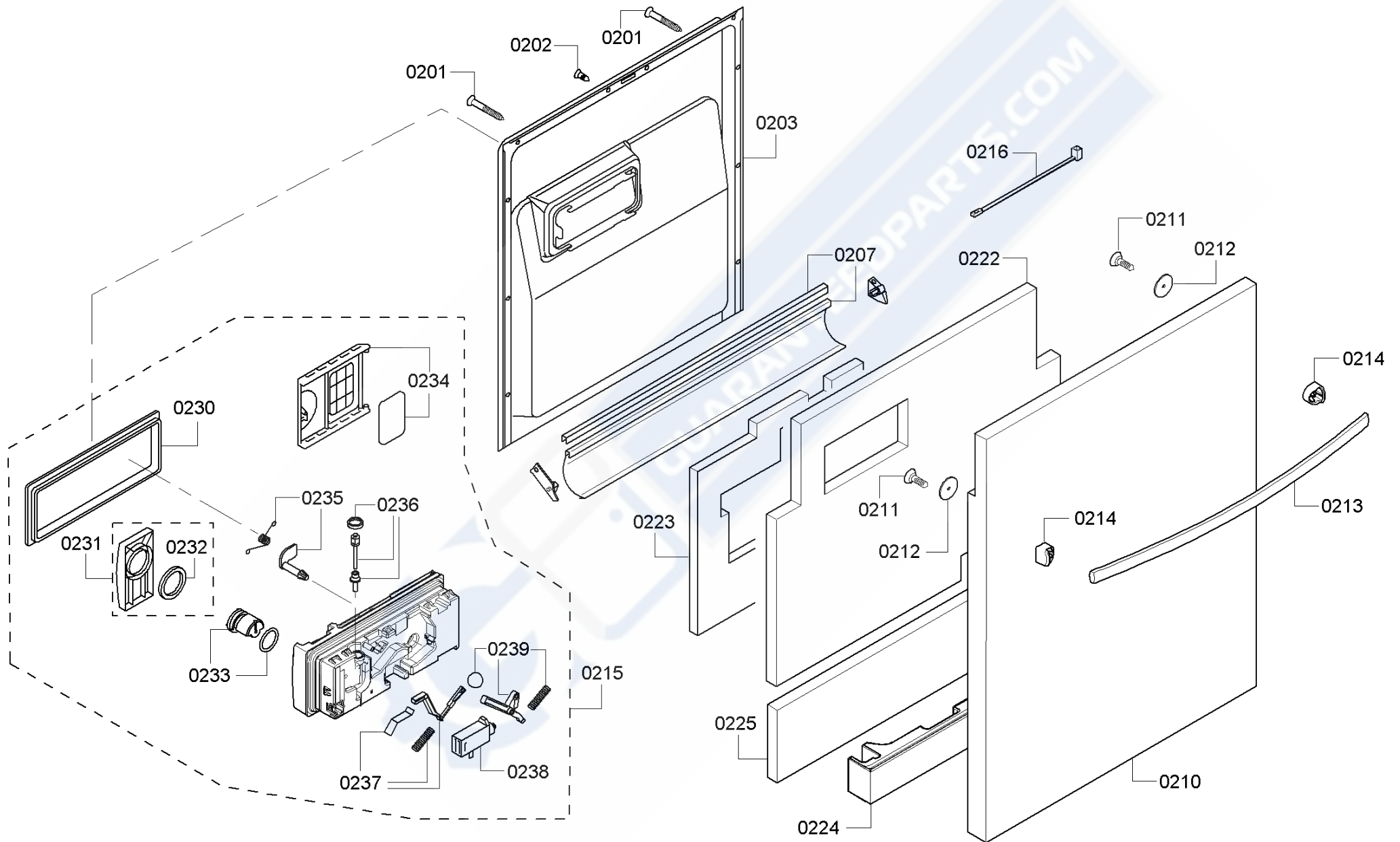
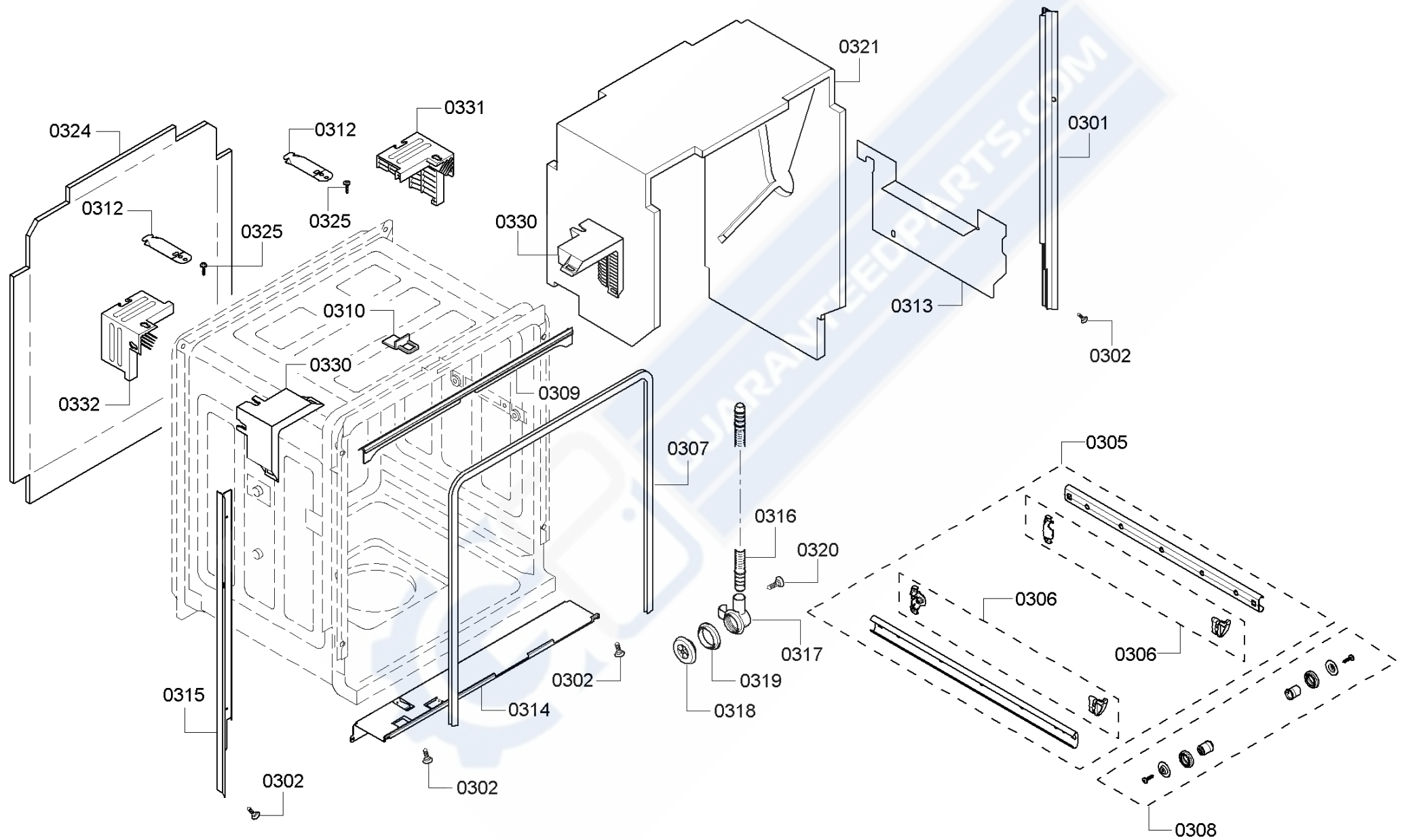


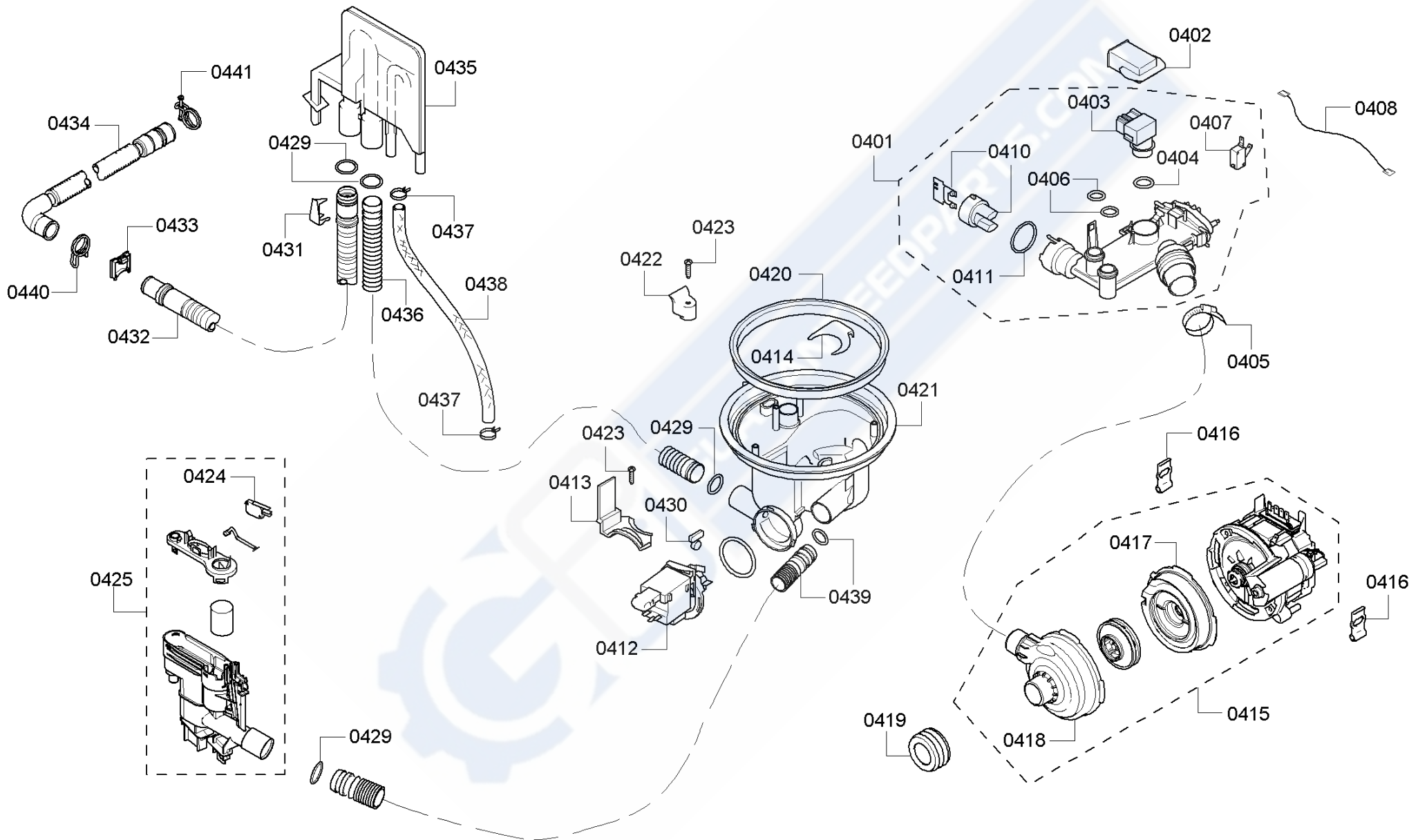


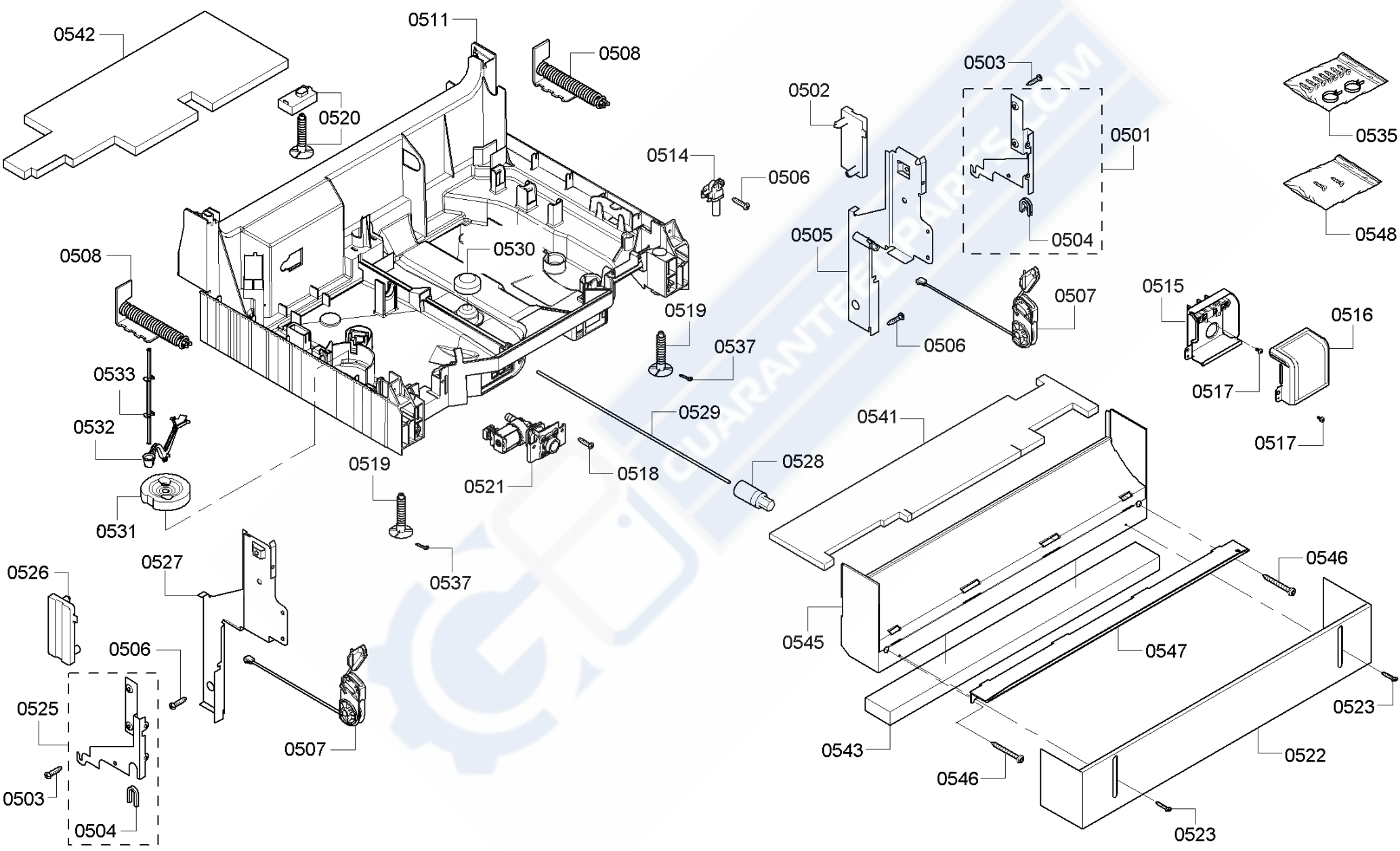
0199

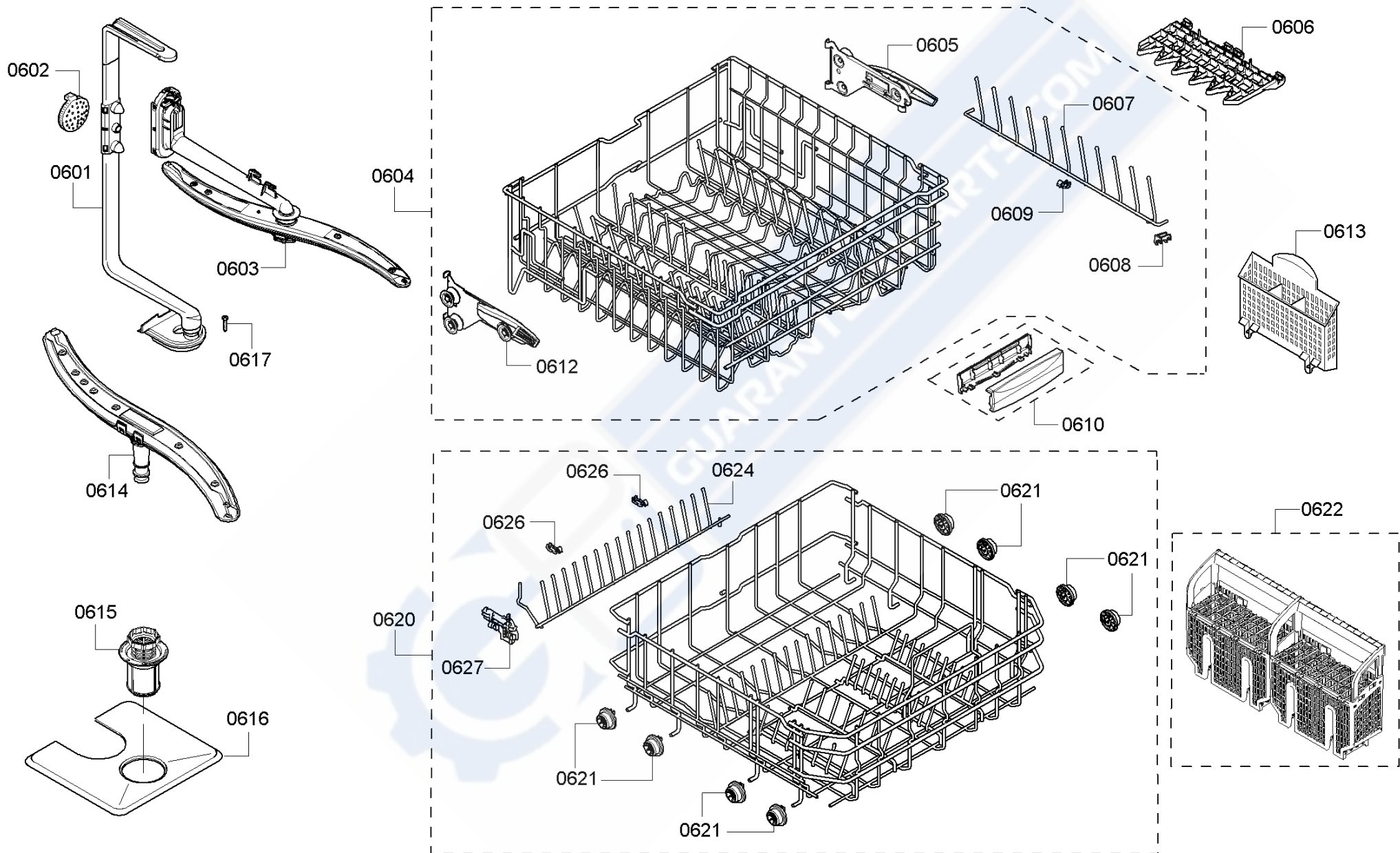












Feb 6, 2026

Bill-of-material

1

Item Number	Material Number	Material Shorttext	Infotext	Substitute Material Number
0101	00705665	Controller unit		
0102	00654621	Door latch		
0103	00424410	Switch		
0104	00187205	Switch		
0105	00650709	Cable harness		
0106	00677523	Frame		
0107	00686860	Panel-facia		
0108	00623220	Push button set		
0109	00618478	Push button set		
0111	00424501	Key		
0121	00653910	Insulating-/protection sleeve		
0199	00341334	Plexiglass door		
0199	00617210	Test strip-water hardness		
0201	00168622	Screw		
0202	00151703	Screw		
0203	00218781	Door-inner		
0207	00432490	Seal-door		
0210	00245953	Door-outer		
0211	00427940	Screw		
0212	00611862	Washer		
0213	00432116	Handle-door		
0214	00615352	Handle-cap shaped		
0215	00490467	Dispenser		
0216	00616022	Cable strap		

Item Number	Material Number	Material Shorttext	Infotext	Substitute Material Number
0222	00660985	Insulating part		
0223	00437048	Insulating part		
0224	00665516	Support		
0225	00660982	Insulating part		
0230	00166637	Sealing		
0231	00166623	Lid		
0232	00166625	Sealing		
0233	00166626	Adjusting device		
0234	00166621	Lid		
0235	00166630	Tripping device		
0236	00166627	Plunger		
0237	00166632	Repair-set		
0238	00166635	Actuator		
0239	00166628	Repair-set		
0301	00660317	Strip		
0302	00423896	Screw		
0305	00298547	Rack guide rail		
0306	00165254	Holder		
0307	00494772	Sealing		
0308	00622193	Repair set-role		
0309	00672951	Strip		
0310	00187185	Latch		
0312	00619985	Mounting set		
0313	00674923	Panel side		

Item Number	Material Number	Material Shorttext	Infotext	Substitute Material Number
0314	00661755	Cover sheet		
0315	00660316	Strip		
0316	00265832	Hose-vent		
0317	00171024	Cover		
0318	00066400	Cover		
0319	00065303	Sealing		
0320	00617588	Screw		
0321	00677539	Insulating part		
0324	00437045	Insulating part		
0325	00189670	Screw		
0330	00268587	Holder		
0330	00656310	Holder		
0331	00268588	Holder		
0331	00656312	Holder		
0332	00268589	Holder		
0332	00656312	Holder		
0401	00480317	Instantaneous water heater		
0402	00606173	Cover		
0403	00165281	Sensor-NTC		
0404	00151866	Sealing		
0405	00172272	Hose clamp		
0406	00165280	Sealing		
0407	00426400	Switch		
0408	00416681	Wire		

Item Number	Material Number	Material Shorttext	Infotext	Substitute Material Number
0410	00165279	Sensor		
0411	00165278	Sealing		
0412	00642239	Pump-drain		
0413	00165263	Cover		
0414	00171681	Cover		
0415	00442548	Pump-circulating		
0416	00171596	Suspension		
0417	00267739	Pump-housing		
0418	00266514	Case-upper part		
0419	00171598	Sealing		
0420	00263102	Sealing		
0421	00268225	Sump		
0422	00165265	Holder		
0423	00167241	Screw		
0424	00165256	Switch		
0425	00440670	Water inlet		
0429	00165331	Sealing		
0430	00165262	Valve-non return		
0431	00167028	Fixture		
0432	00668109	Drain hose		
0433	00611325	Stress-relief		
0434	00668108	Drain hose		
0435	00263833	Water inlet		
0436	00263099	Hose		

Item Number	Material Number	Material Shorttext	Infotext	Substitute Material Number
0437	00622059	Hose clamp		
0438	00496099	Hose-inlet		
0439	00361113	Hose-inlet		
0440	00611973	Hose clamp		
0441	00417497	Hose clamp		
0501	00498927	Lever		
0502	00422794	Hinge-cover		
0503	00188850	Screw		
0504	00165296	Bearing plate		
0505	00298570	Hinge		
0506	00423896	Screw		
0507	00618605	Repair-set		
0508	00168576	Spring		
0511	00476528	Case-bottom		
0514	00424819	LED-announcement		
0515	00640476	Terminal box		
0516	00640477	Cover		
0517	00605743	Screw		
0518	00617588	Screw		
0519	00617585	Foot		
0520	00165330	Foot		
0521	00622058	Valve access		
0522	00361087	Panel-base		
0523	00188670	Screw		

Item Number	Material Number	Material Shorttext	Infotext	Substitute Material Number
0525	00498928	Lever		
0526	00422793	Hinge-cover		
0527	00298567	Hinge		
0528	00165329	Bushing		
0529	00437050	Rod		
0530	00167243	Hood		
0531	00165301	Float		
0532	00263123	Lever		
0533	00263122	Tube		
0535	00604885	Installation set		
0537	00188670	Screw		
0541	00640488	Insulating part		
0542	00437044	Insulating part		
0543	00482120	Insulating part		
0545	00448742	Panel-base		
0546	00603934	Screw		
0547	00432119	Seal-door		
0548	00623233	Installation set		
0601	00449323	Tube		
0602	00167301	Spray head		
0603	00676933	Spray arm		
0604	00686862	Crockery basket		
0605	00649461	Rail-pull out		
0606	00676468	Cup rack		

Feb 6, 2026

Bill-of-material

7

Item Number	Material Number	Material Shorttext	Infotext	Substitute Material Number
0607	00651433	Insert		
0608	00616990	Holder		
0609	00616989	Holder		
0610	00617998	Handle		
0612	00649460	Rail-pull out		
0613	00267820	Cutlery basket		
0614	00448806	Spray arm		
0615	00615079	Filter-micro		
0616	00441905	Filter-fine		
0617	00167241	Screw		
0620	00686863	Crockery basket		
0621	00617087	Wheel		
0622	00675794	Cutlery basket		
0624	00651435	Insert		
0626	00611981	Holder		
0627	00611980	Holder		
8401	00720088	Instruction manual		
8401	00729107	Instruction manual		
8401	00730108	Instruction manual		
8402	00720087	Installation instructions		
8403	00720089	Brief description		
8403	00725576	Brief description		