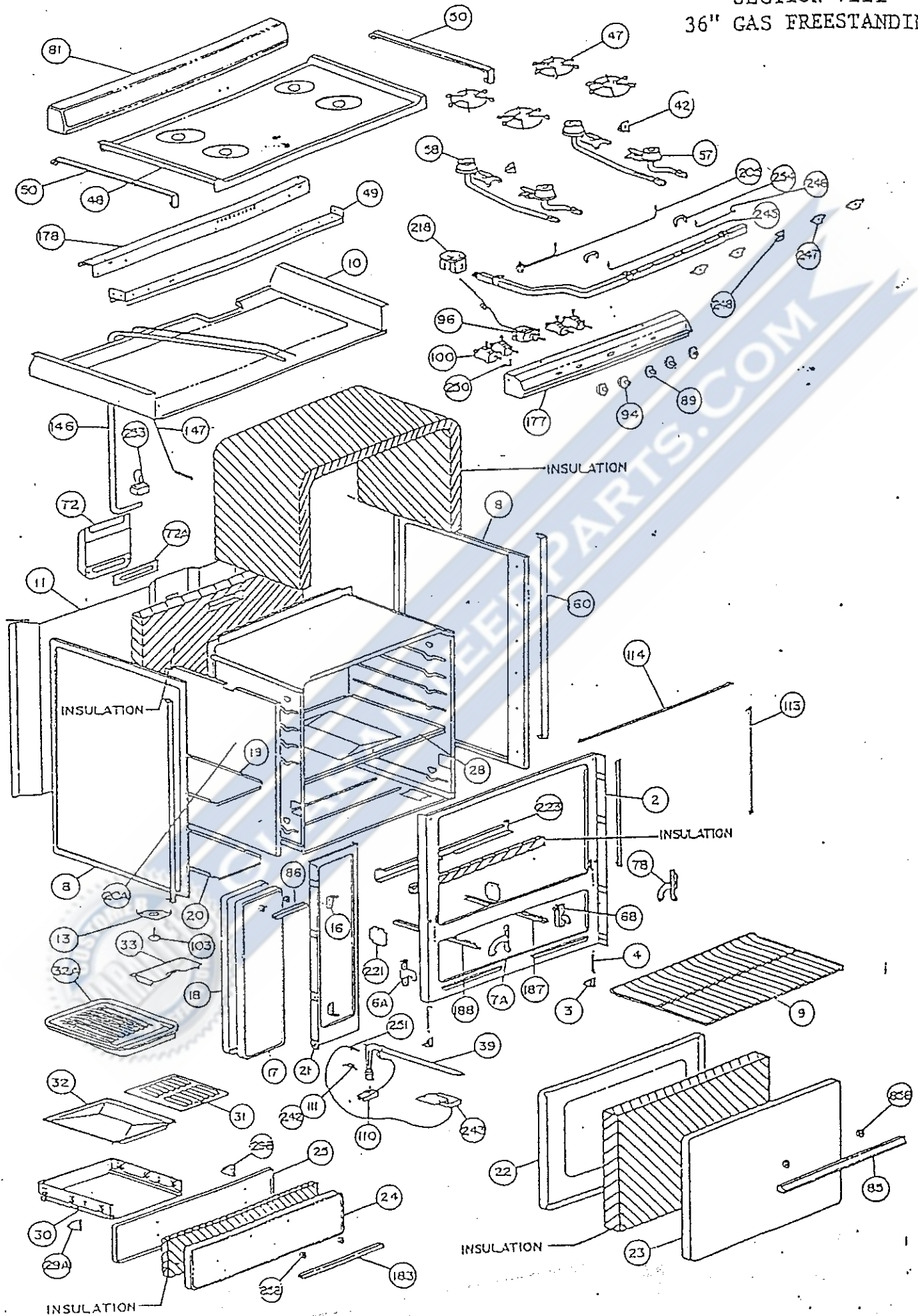


SECTION VIII
36" GAS FREESTANDING



BROWN STOVE WORKS, INC.		SERIES M400 36" GAS RANGE						EFF. 1/2/2021
PARTS LIST - SECTION		BATCH-74						
WHEN ORDERING BE SURE TO INCLUDE MODEL, TYPE, & SERIAL NOS.								
MODEL NUMBERS								
DIA. NO.	PART DESCRIPTION	PART NO.	410	430			Type No.	
11	BACK, MAIN	5796	1	1				
80	BACKGUARD HARNESS	1805L290		1			-3KW 7S1-39&UP	
81	BACKGUARD WH	5905		1			PLAIN 8"	
81	BACKGUARD WH	7151		1			-K TYPE 448-36	
81	BACKGUARD WH -NLA	5931	1				PLAIN 4"	
NS	BAFFLE, BRO. DOOR	7275	1	1			TY D14-44	
NS	BAFFLE, OV DR HEAT	7485	1	1			SOLID TY 893-42	
NS	BAFFLE, OV DR HEAT	7490	1	1			-W-V TY 8G3-43	
NS	BATTERY SERVICE LABEL	1806C164		1			-P TY 2I2-52	
NS	BATTERY, CLIP 9VOLT	1804C089		2			-P TY 2I2-52-55	
NS	BATTERY, 9VOLT	1801B191		2			-P TY 2I2-52	
NS	BRACE, BRNR SUPPORT	5005	1	1				
34	BRACKET, ANTI-TIP	6724	1	1			TY 1-53	
34	BRACKET, ANTI-TIP	7671		1			TY NH2-54&UP	
NS	BRACKET, CLOCK MTG	1803A051		2			-K TY 7S1-39&UP	
NS	BRACKET, REGULATOR	7728	1	1			TY 9J5-62 & UP	
254	BRACKET, SPARK GAP	1801B140	2	2			-3,-3G TY 1-UP	
3	BRACKET, SPRING	0938	2	2				
NS	BROILER BOTTOM	5683	1	1			TY NE8-27	
33	BROILER COVER	5687	1	1			STD TY 1 & UP	
31	BROILER GRILL SMALL	5795	1	1			-X	
32	BROILER PAN	4115	1	1			-X	
32A	BROILER PAN 1 PC	6878	1	1			TYPE 30-UP STD	
32A	BROILER PAN, 1-PC	5686	1	1			TY 1-29 STD	
NS	BULB, OVEN LIGHT	1805G014	1	1				
NS	BURNER BOX BOTTOM	5677	1	1			REV. TYP NE8-27	
NS	BURNER BOX BOTTOM	6036	1	1			-Y	
NS	BURNER BOX SIDE LT	5801	1	1				
NS	BURNER BOX SIDE RT	5800	1	1			REV. TY NE8-27	
57	BURNER, FRONT	1801M058	2	2			STD,1-8,D81-40	
39	BURNER, OVEN	1802F036	1	1			-7 TY 1M0-38-UP	
39	BURNER, OVEN SAB	1802F037	1	1			STD -P TY 606-50	
58	BURNER, REAR	1801M059	2	2			STD,1-8,D81-40	
NS	BUSHING, STR RELIEF	1943A013		1			-3KW TY NE8-27	
74	CAP, BKGD LT END	1805F222	1					
74	CAP, BKGD LT END	5753		1				
74	CAP, BKGD RT END	1805F223	1					
74	CAP, BKGD RT END	5752		1				
NS	CATCH, COMPT DOOR	1804E036	1	1			TY OV8-37 & UP	
NS	CLAMP, WIRE N-12B	1842B088		1			-P TY 2I2-52	
NS	CLAMP, WIRE NYLON	1842B103		1			-P -3KW TY NE8-27	
NS	CLIP, TERMINAL	1804C091	2	2			STD 57	
75	CLOCK	1805G221		1			-K TY 7S1-39&UP	
75A	CLOCK OVERLAY	1805F281		1			-K TY 448-36-38	
75A	CLOCK OVERLAY	1805F287		1			-K TY 7S1-39&UP	
75B	CLOCK SERVICE KIT	7294		1			-K TY 7S1-39&UP	
20A	COMPARTMENT SIDE	0942	1	1				
NS	CORD, SUPPLY	1805L253	1	1			-7 TY 606-50	
NS	CORD, SUPPLY	1805L269	1	1			-3KW TY NE8-27	
NS	COUPLING, GAS OUTLET	1802B018		1			-7 TY N14-60&UP	
	COVER, BATTERY ACCS	7682	1	1			-P TY 9E3-74 & UP	
NS	COVER, CLOCK	7384		1			-KW TY NE8-27	
NS	COVER, MODULE	7173	1	1			-7 TY NE8-27-UP	

BROWN STOVE WORKS, INC.			SERIES M400 36" GAS RANGE						EFF. 1/2/2021
PARTS LIST - SECTION			BATCH-74						
WHEN ORDERING BE SURE TO INCLUDE MODEL, TYPE, & SERIAL NOS.									
MODEL NUMBERS									
DIA. NO.	PART DESCRIPTION	PART NO.	410	430				Type No.	
221	COVER, OV DR SPRING	5528	2	2					
NS	COVER, OVEN LIGHT	7551	1	1				TY 1-UP	
NS	DIAGRAM, WIRING SAB	1806C145	1	1				-7 TY 606-50	
NS	FITTING, MANI PIPE	1802B009	1	1				-7 TY 606-50-59	
NS	FLAME SPREADER	7207	1					TY 1M0-38 & UP	
28	FLOOR, OVEN	6860	1					TY 1M0-38 & UP	
28	FLOOR, OVEN KIT	5106	1	1				TYPE 1-28	
2	FRAME, FRONT	6985	1	1				TYPE 31	
21	FRONT FRAME COMPRT	7180	1	1				TY OV8-37	
72A	GASKET, VENT BOX	1802J018	1	1				STD	
NS	GLASS, OVEN WINDOW	1805H039	3	3				TYPE 1-42	
NS	GLASS, OVEN WINDOW	1805H039	1	1				OTSDE TY8G3-43	
NS	GLASS, OVEN WINDOW	1885H001	1	1				INNER TY8G3-43	
47	GRATE, T BURNER	5900	4	4				TY 1 & UP	
NS	GRATE, T BURNER PACK	1801K050	1	1				TY 5S6-64 & UP	
13	GUSSET, BASE	5232	4	4					
183	HANDLE, BR DR 16.5"	1805C055	1	1				WH TY 9N6-51	
183	HANDLE, BR DR 16.5"	1805C059	1	1				BLK BRO 495-48	
183	HANDLE, CMPT DR 9"	1805C056	1	1				WH TY 9N6-51	
183	HANDLE, CMPT DR 9"	1805C060	1	1				BLK CMPT 495-48	
85	HANDLE, OVEN DR 21"	1805C057	1	1				WH TY 9N6-51	
85	HANDLE, OVEN DR 21"	1805C061	1	1				BLK OV T 495-48	
NS	HARNESS, CLOCK BSI	1805L271		1				-3KW TYP NE8-27	
NS	HARNESS, CLOCK BSI	1805L272		1				-KW XP T NE8-27	
NS	HARNESS, MN SPL BSI	1805L267	1	1				TY NE8-27-UP	
NS	HARNESS, MN SPL SAB	1805L303	1	1				-7 TY 606-50	
NS	HARNESS, OV LGT SAB	1805L301	1	1				-7 TY 606-50	
NS	HARNESS, LT BSI	1805L270	1	1				-3KW NE8-27-49	
NS	HARNESS, LT BSI	1805L274		1				-W XP NE8-27-49	
NS	HARNESS, POWER	1805L326		1				-P TY 2I2-52	
NS	HARNESS, SNAP	1805L325	1	1				-P TY 2I2-52&UP	
NS	HARNESS, SP MODULE	188-5L044	1	1				-7 TY 5S6-64 & UP	
NS	HARNESS, THERM	1805L306	1	1				-7 TY 566-49	
NS	HARNESS, THERM SAB	1805L312	1	1				-7 TY 606-50	
NS	HARNESS, TOP SW	1805L295		1				-P TY 2I2-52	
NS	HARNESS, TOP SW SAB	1805L297	1	1				-7 TY 606-50	
29B	HINGE, BRO ASSY RT	7337	1	1				TYPE 2N2-41 &UP	
16	HINGE, COMPT DR	5514	2	2				TY 1 & UP	
29A	HINGE, LT BRO ASSY	7338	1	1				TYPE 2N2-41 &UP	
6A	HINGE, OVEN BODY LT	4811	1	1				REM DR TYP 1-30	
6B	HINGE, OVEN BODY RT	4812	1	1				REM DR TYP 1-30	
7A	HINGE, OVEN DOOR LT	6876	1	1				TYPE 31 & UP	
7B	HINGE, OVEN DOOR RT	6875	1	1				TYPE 31 & UP	
7AB	HINGE, OVEN DR ASSY	6631	2	2				LR RM DR T 1-30	
251	IGNITOR, OVEN	1802A344	1	1				-7 TY 8G3-52	
NS	INJECTOR OV ELB SAB	1802A329	1	1				STD TY 606-50	
24A	INSUL, BRO. DR-19	7278	1	1				TY DI4-44	
14	INSULATION, BODY	1802I089	1	1					
ILL	INSULATION, OV DOOR	1802I083	1	1				TYPE 893-42	
ILL	INSULATION, OV DOOR	4799	1	1				TYPE 1-41	
NS	JUMPER WIRE FFD MAGNET	1805L327		1				-P TY 2I2-52	
NS	KICK PLATE	7680		1				-P TY 2I2-52	
NS	KIT CONVERSION SAB	7552	1	1				LP STD, -P TY 50&UP	

BROWN STOVE WORKS, INC.			SERIES M400 36" GAS RANGE						EFF. 1/2/2021
PARTS LIST - SECTION			BATCH-74						
WHEN ORDERING BE SURE TO INCLUDE MODEL, TYPE, & SERIAL NOS.									
MODEL NUMBERS									
DIA. NO.	PART DESCRIPTION	PART NO.	410	430				Type No.	
NS	KIT CONVERSION SAB	7708	1	1				-7 LP TY 50&UP	
NS	KIT CONVERSION SAB	7709	1	1				-7 NAT TY 50&UP	
89	KNOB, OVEN BSI	1802A331	1	1				TYPE 1-49	
89	KNOB, OVEN SAB	1802A332	1	1				BK STD 606-50	
89	KNOB, OVEN SAB	1802A333	1	1				BK,-7 TY 606-50	
89	KNOB, OVEN SAB	1802A342	1	1				WH TY 9N6-51	
89	KNOB, OVEN SAB	1802A343	1	1				WH -7 TY 9N6-51	
89	KNOB, OVEN SAB BLK	1802A355		1				-CP TY 2I2-52	
89	KNOB, OVEN SAB WH	1802A354		1				-P TY 2I2-52	
94	KNOB, SURFACE BSI	1805D135	4	4				TYPE 1-49	
94	KNOB, SURFACE BSI	1805D136	4	4				-9 TY 1-49 -P	
94	KNOB, SURFACE SAB	1805D137	4	4				BK STD -7 606-50	
94	KNOB, SURFACE SAB	1805D141	4	4				WH STD -7 -P TY 606-50	
251	LEAD, OVEN SPARK	1801B169	1	1				TY 1-26	
251	LEAD, OVEN SPARK	1801B175	1	1				TY NE8-27	
251	LEAD, OVEN SPARK	1801B200		1				-P TY 2I2-52	
245	LEAD, SPARK LT BSI	1801B165	1	1				TY NE8-27, -P TY 2I2-52	
246	LEAD, SPARK RT BSI	1801B176	1	1				TY NE8-27, -P TY 2I2-52	
251	LEAD, SPK IG LT SAB	1801B176	1	1				-7 TY 606-50	
251	LEAD, SPK IG RT SAB	1801B165	1	1				-7 TY 606-50	
103	LEVELER, LEG	1804A060	4	4					
25	LINING, BRO DOOR	6050	1	1				STD TYPE 30-UP	
18	LINING, COMPT DOOR	7179	1	1				TY OV8-37-UP	
22	LINING, OVEN DOOR	6052	1	1				SOLID	
22	LINING, OVEN DOOR	6809	1	1				-W-V TYPE 28	
NS	MANUAL, GAS OWNER	1806C163		1				-P TY 2I2-52	
NS	MODULE, INS PAD	1802I090		1				-P TY 2I2-52	
243	MODULE, SPARK	1801B177	1	1				-7 TY NE8 38-44	
243	MODULE, SPARK	1801B184	1	1				-7 1M5-45,59-60	
243	MODULE, SPARK	1801B201	1	1				-7 TY 8V3-55-58,61-62	
243	MODULE, SPARK BSI	1801B173	1	1				-3-4 TY 1-UP	
243	MODULE, SPARK 9VOLT	1801B196		1				-P TY 2I2-52 & UP	
243	MODULE, SPARK SLD SAB	1801B183	1	1				-7F TY 606-50	
243	MODULE, SPARK	1811B004	1	1				-7 TY 426-63 & UP	
NS	ORIFICE INJ OV SAB	1801A207	1	1				STD NAT TY 606-6	
NS	ORIFICE INJ TOP SAB	1801A206	4	4				STD TY 606-60	
24	PANEL, BRO DOOR WH	7547	1	1				TY DI4-44	
17	PANEL, COMPT DR WH	6046	1	1					
8	PANEL, END WHITE	5231	2	2					
177	PANEL, MANIFOLD BLK	6750	1	1				-C TY 9N6-51	
177	PANEL, MANIFOLD WH	6750	1	1				TY 9N6-51	
23	PANEL, OVEN DOOR	7502	1	1				-D TY 8G3-43-UP	
23	PANEL, OVEN DOOR	7503	1	1				-H TY 8G3-43-UP	
23	PANEL, OVEN DOOR WH	7466	1	1				SOLID TY 893-42	
23	PANEL, OVEN DOOR WH	7467	1	1				-W-V TY 8G3-43	
205	PILOT ASSY, TOP	1801B149	1	1				TYPE 12	
242	PILOT, OVEN	1802E068	1	1				STD	
111	PILOT, OVEN SAB	1802E076	1	1				STD TY 606-50	
68	PIPE, MANIFOLD BSI	1801I123	1	1				-3 STD TY 12-49	
68	PIPE, MANIFOLD BSI	1801I124	1	1				-5,-G TYPE 1-49	
68	PIPE, MANIFOLD SAB	1801I175	1	1				STD TY 606-50-61	
68	PIPE, MANIFOLD SAB	1801I185	1	1				-7 TY 9J5-62 & UP	
NS	PLATE, OVEN IGN	7658		1				-P TY 2I2-52	

BROWN STOVE WORKS, INC.			SERIES M400 36" GAS RANGE						EFF. 1/2/2021
PARTS LIST - SECTION			BATCH-74						
WHEN ORDERING BE SURE TO INCLUDE MODEL, TYPE, & SERIAL NOS.									
MODEL NUMBERS									
DIA. NO.	PART DESCRIPTION	PART NO.	410	430				Type No.	
NS	PLUG, HOLE	1805K008	1	1				TY 26 & UP	
NS	PLUG, MANIFOLD 1/2 NPT	1801E003		1				-P TY 2I2-52	
NS	RACK, BRO PAN	1802G051	1	1				TYPE 30 & UP	
9	RACK, OVEN	1802G039	2	2				STD	
218	REGULATOR PRES SAB	1801L033	1	1				NAT -7,7F TY 606-50	
218	REGULATOR, PRESSURE	1801L024	1	1				LP STD TY 1&UP -7 TY 50	
218	REGULATOR, PRESSURE	1801L033	1	1				NAT STD TY 1 & UP	
NS	RETAINER, GLASS	7479	2	2				-W-V 8G3-43-UP	
NS	RIVET, PUSH	1803D011	4						
NS	SEAL, BOTTOM DR	1802I044	1	1					
113	SEAL, SHORT DOOR	1802I056	2	2					
114	SEAL, TOP DOOR	1802I065	1	1					
20	SHELF, COMP UP-LOW	5867	2	2				TYPE 4	
42	SHIELD, TOP PILOT	1801B154	2	2				TYPE 17	
38	SOCKET, OVEN LIGHT	1805G204	1	1				-W-Q	
85B	SPACER, HANDLE	1804D005	2	2				WHITE	
85B	SPACER, HANDLE	1804D029	2	2				BLK	
4	SPRING, OVEN DOOR	1803A046	2	2				SLD,W TY 43-UP	
4	SPRING, OVEN DOOR	1803A049	2	2				H,V,W TY 31-42	
NS	STRIKE, COMPT DOOR	1804E037	1	1				TY OV8-37-UP	
49	SUPPORT, BRNR-LGHTR	4998	1	1				STD ALL TYPES	
223	SUPPORT, OV BUR FRT	5070	1	1				TY 1-UP	
248	SWITCH, OVEN IGN	1802A207	1	1				-3 -4	
NS	SWITCH, OVEN LIGHT	1805G223	1	1				TY 26-UP	
247	SWITCH, TOP IGN	7602	4	4				-7 TY 606-50	
247	SWITCH, TOP IGN BSI	1801A152	4	4				-3-4 TY 1-UP	
247	SWITCH, TOP IGN BSI	1801A153	4	4				-39 -49 T 1-UP	
NS	THERM, MNT SADL SAB	1802A323	1	1				STD TY 606-50	
NS	THERM, MNT SCRW SAB	1802A324	1	1				STD TY 606-50	
NS	THERMOCOUPLER	1802A359		1				-P TY 2I2-52	
96	THERMOSTAT	7678		1				-P TY 2I2-52	
96	THERMOSTAT OVEN SAB	1802A319	1	1				STD TY 606-60 BLUE	
F180	THERMOSTAT	1802A348	1	1				STD TY 606-60 RED	
96	THERMOSTAT, OV BSI	1802A201	1	1				TYPE 1-11	
96	THERMOSTAT, OV BSI	1802A290	1	1				TYPE 12-49	
96	THERMOSTAT, OV BSI	1802A291	1	1				-3 TY 1 & UP	
96	THERMOSTAT, OV SAB	1802A305	1	1				-7 TY 606-50	
35	TOP LOCATOR, NYLON	1804D026	4	4				TY 1 & UP	
48	TOP, MAIN WHITE	6274	1	1				TY 1-UP	
48	TOP, MAIN WHITE -NLA	6276	1	1				-G,-5 TY 1-UP	
146	TUBE, OV BSI	5694	1	1				STD &-3 TY 1-49	
147	TUBE, OV PL BSI	1802C069	1	1				-3, STD TY 1-49	
146	TUBE, OV SUPPLY	7564	1	1				-7 TY 606-50-59	
146	TUBE, OV SUPPLY	1802C129		1				-7 TY N14-60&UP	
146	TUBE, OV SUPPLY SAB	7480	1	1				STD TY 606-50	
146	TUBE, OV SUPPLY SAB	7681	1	1				-7 TY 3A2-53	
NS	VALVE, MNT SADL SAB	1801A204	4	4				STD,-7 TY606-50	
NS	VALVE, MNT SCRW SAB	1801A205	4	4				STD,-7 TY606-50	
110	VALVE, OV SFTY SAB	1802A338	1	1				-7, 7F TY 606-50	
110	VALVE, SAFETY BSI NLA	1802A205	1	1				PRE P TY 1-49	
110	VALVE, SAFETY BSI NLA	1802A206	1	1				PRE T TY 1-49	
NS	VALVE, SHUT-OFF	1802D072		1				-7 TY N14-60&UP	
NS	VALVE, SHUT-OFF SAB	1802D071	1	1				-7 TY 606-50-59	

BROWN STOVE WORKS, INC.			SERIES M400 36" GAS RANGE						EFF. 1/2/2021
PARTS LIST - SECTION			BATCH-74						
WHEN ORDERING BE SURE TO INCLUDE MODEL, TYPE, & SERIAL NOS.									
MODEL NUMBERS									
DIA. NO.	PART DESCRIPTION	PART NO.	410	430				Type No.	
100	VALVE, TOP BRNR BSI	1801A157	4	4				NAT ST & 3 1-49	
100	VALVE, TOP BRNR BSI	1801A158	4	4				LP STD & 3 1-49	
100	VALVE, TOP BRNR BSI	1801A159	4	4				PRE T-9 1-49	
100	VALVE, TOP BRNR BSI	1801A160	4	4				PRE P-9 1-49	
100	VALVE, TOP BRNR SAB	7618	4	4				LP TY 606-50&UP	
100	VALVE, TOP BRNR SAB	7672	4	4				NAT TY 606-50&UP	
100	VALVE, TOP BUR SAB	1801A203	1	1				STD TY 606-50	
72	VENT BOX	5238	1	1				TY 1-UP	
NS	WIRING DIAGRAM	1806C162		1				-P TY 2I2-52	



GUARANTEEDPARTS.COM