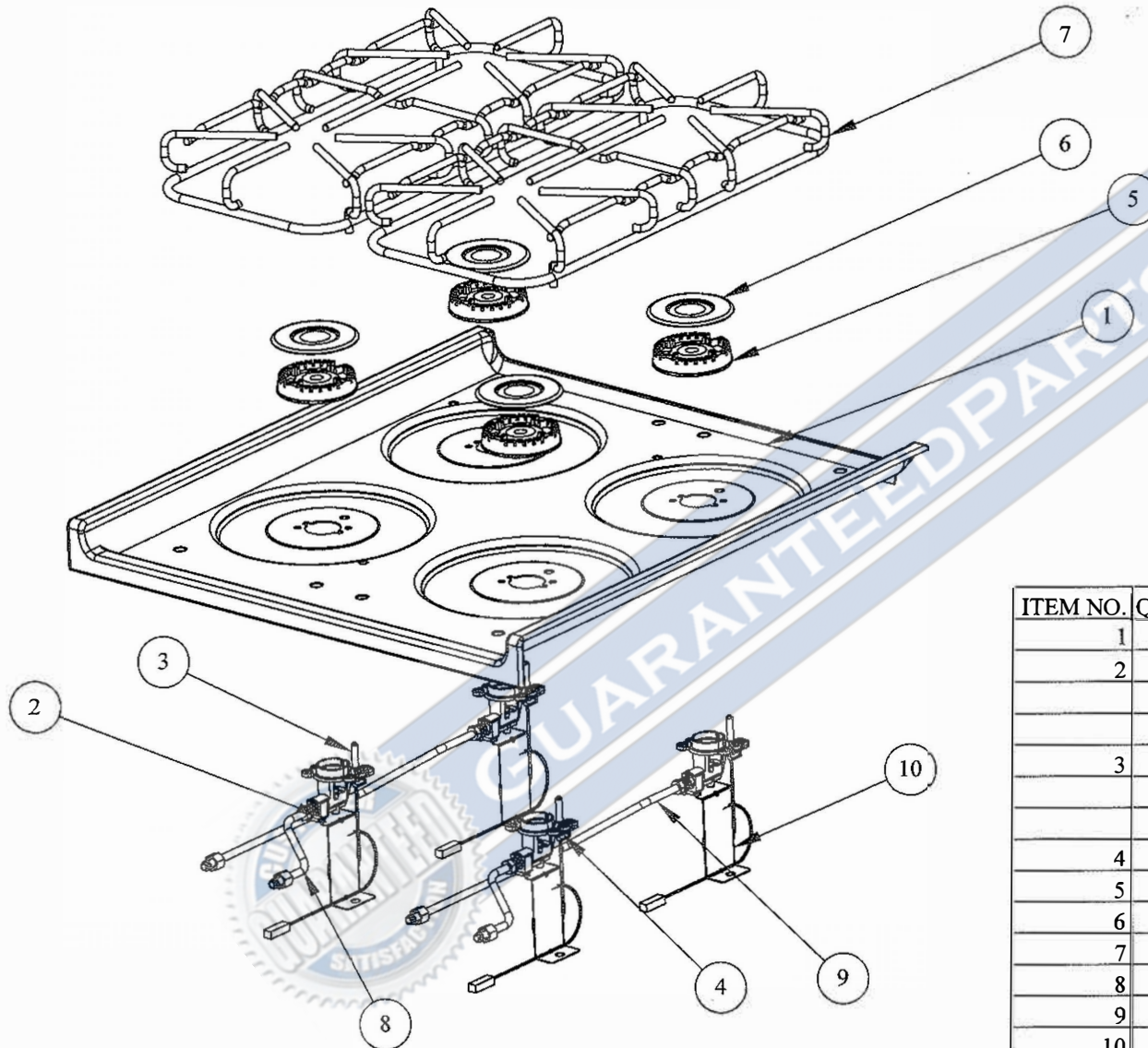
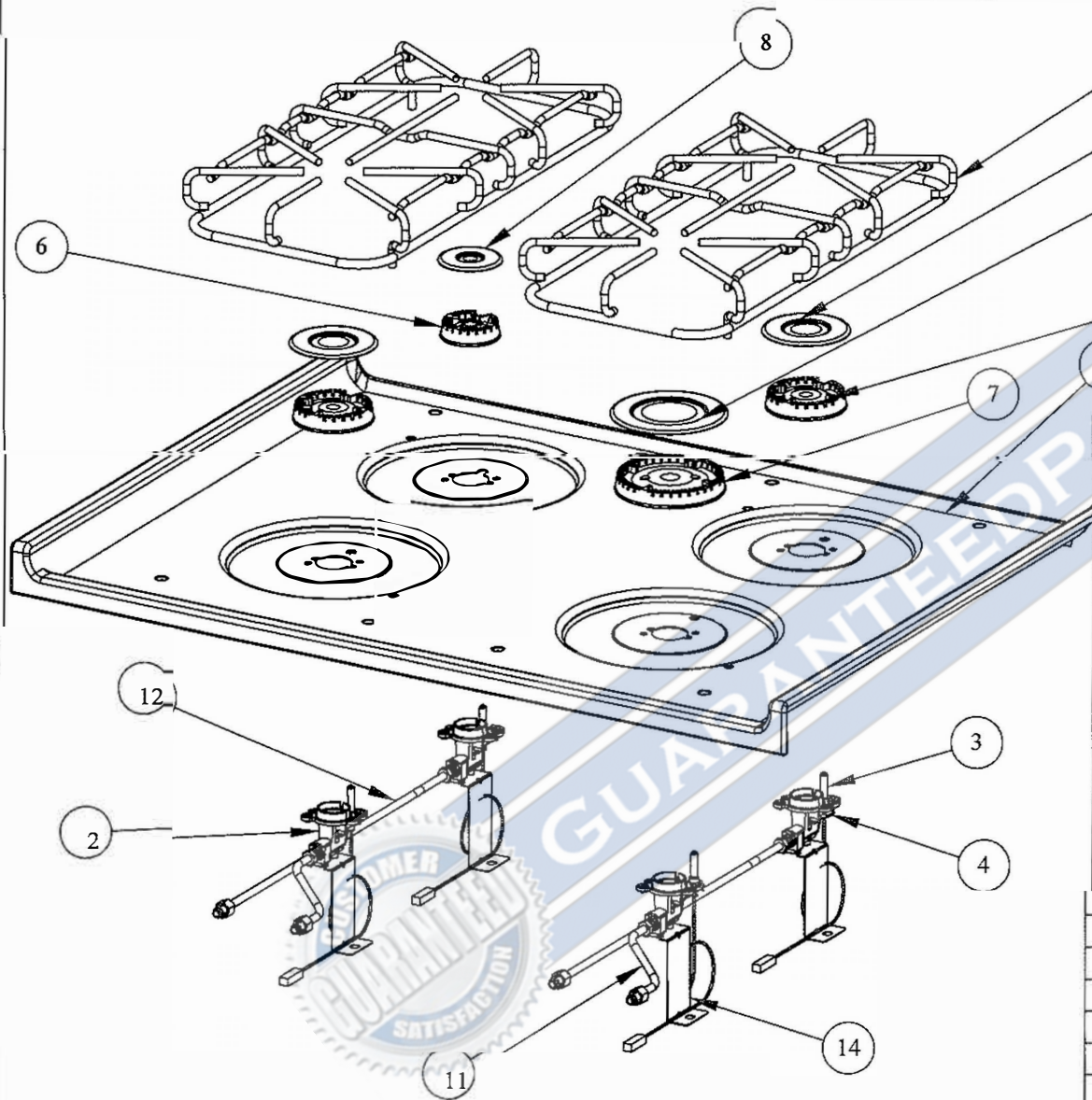


M100 Sealed Burner



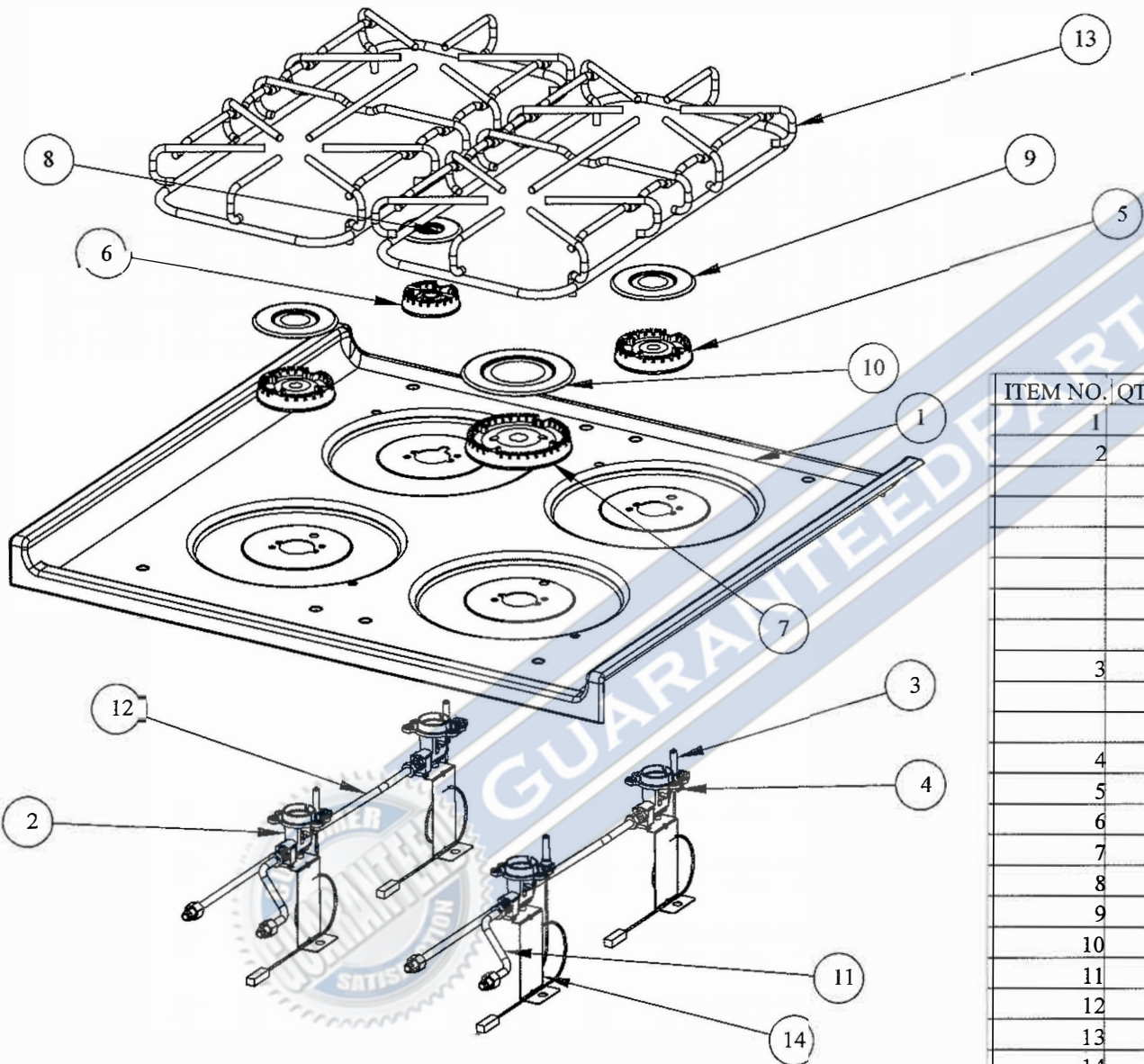
ITEM NO.	QTY.	PART NO.
1	1	7713 20in. MAIN TOP
2	4	180-2C131 - 136 Orifice Holder Assy
	4	180-2C132 NATURAL GAS
	4	180-2C135 PROPANE GAS
3	4	180-1B203 - 204 Top Burner Electrode
		180-1B203 Top Burner Electrode SHORT
		180-1B203 Top Burner Electrode LONG
4	4	180-4C092 TOP BURNER ELECTRODE CLIP
5	4	180-1M079 BURNER BASE - MEDIUM
6	4	180-1M082 BURNER CAP - MEDIUM
7	2	180-1K046 TOP BURNER GRATE
8	2	180-2C137 TOP BURNER SUPPLY TUBE - FRONT
9	2	180-2C138 TOP BURNER SUPPLY TUBE - REAR
10	4	7712 Burner Support

M200 Sealed Burner



ITEM NO.	QTY	PART NO.
1	1	7720 30in MAIN TOP ASSY
2	4	180-2C131 - 136 Orifice Holder Assy
	1	180-2C131 Orifice Holder Assy SM NAT
	2	180-2C132 Orifice Holder Assy MED NAT
	1	180-2C133 Orifice Holder Assy LRG NAT
	1	180-2C134 Orifice Holder Assy SM LP
	2	180-2C135 Orifice Holder Assy MED LP
	1	180-2C136 Orifice Holder Assy LRG LP
3	4	180-1B203 - 204 Top Burner Electrode
		180-1B203 Top Burner Electrode SHORT
		180-1B204 Top Burner Electrode LONG
4	4	180-4C092 TOP BURNER ELECTRODE CLIP
5	2	180-1M079 BURNER BASE - MEDIUM
6	1	180-1M078 BURNER BASE - SMALL
7	1	180-1M080 BURNER BASE - LARGE
8	1	180-1M081 BURNER CAP - SMALL
9	2	180-1M082 BURNER CAP - MEDIUM
10	1	180-1M083 BURNER CAP - LARGE
11	2	180-2C137 TOP BURNER SUPPLY TUBE - FRONT
12	2	180-2C138 TOP BURNER SUPPLY TUBE - REAR
13	2	180-1K046 TOP BURNER GRATE
14	4	7712 Burner Support

M600 Sealed Burner



ITEM NO.	QTY.	PART NO.
1	1	7716 24IN MAIN TOP ASSY (GAS)
2	4	180-2C131 - 136 Orifice Holder Assy
	1	180-2C134 Orifice Holder Assy SM LP
	2	180-2C135 Orifice Holder Assy MED LP
	1	180-2C136 Orifice Holder Assy LRG LP
	1	180-2C-131 Orifice Holder Assy SM NAT
	2	180-2C-132 Orifice Holder Assy MED NAT
	1	180-2C-133 Orifice Holder Assy LG NAT
3	4	180-1B203 - 204 Top Burner Electrode
	2	180-1B203 Top Burner Electrode SHORT
	2	180-1B204 Top Burner Electrode LONG
4	4	180-4C092 TOP BURNER ELECTRODE CLIP
5	2	180-1M079 BURNER BASE - MEDIUM
6	1	180-1M078 BURNER BASE - SMALL
7	1	180-1M080 BURNER BASE - LARGE
8	1	180-1M081 BURNER CAP - SMALL
9	2	180-1M082 BURNER CAP - MEDIUM
10	1	180-1M083 BURNER CAP - LARGE
11	2	180-2C137 TOP BURNER SUPPLY TUBE - FRONT
12	2	180-2C138 TOP BURNER SUPPLY TUBE - REAR
13	2	180-1K046 TOP BURNER GRATE
14	4	7712 Burner Support