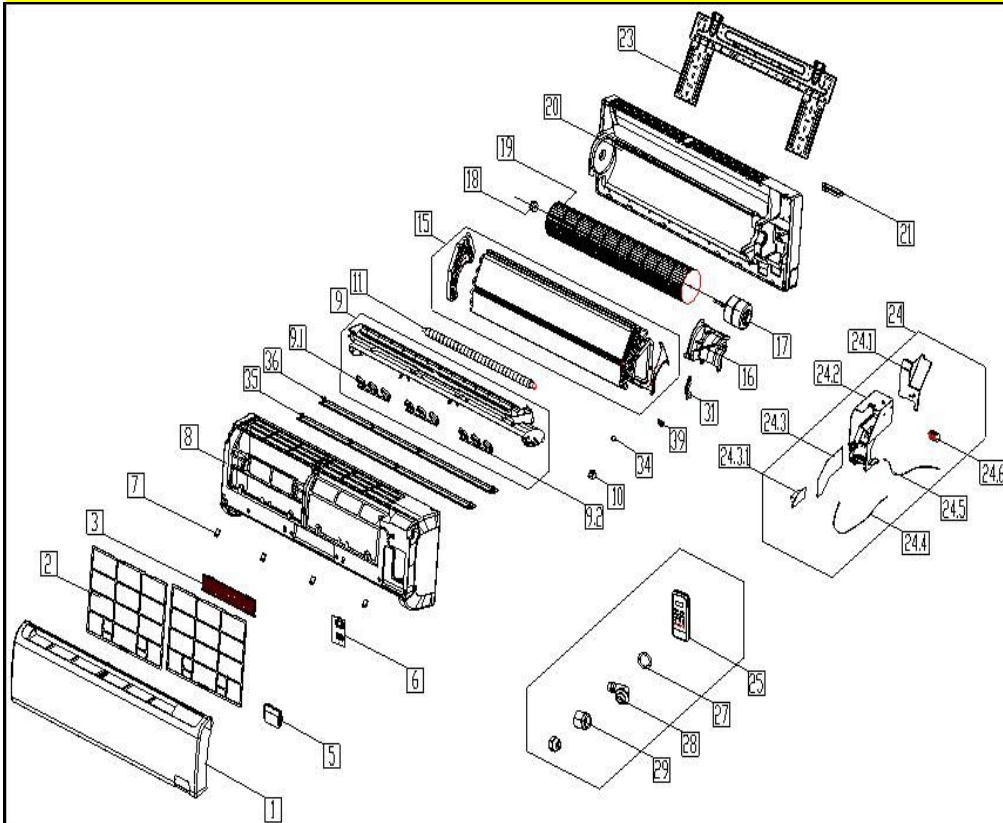


Sale model : CHP018CD (I)
Power Supply : 208-230V~ 60Hz 1Phase



No.	Part Name	Part #
1	Panel assembly	A330A3156
2	Air filter	A33090459
3	Air cleaner	A31410703
5	Display box assembly	W323A1413
6	Cover of indoor electronic control box	A33090452
7	Screw cap	A33090623
8	Panel frame assembly	A33090938
9	Air outlet assembly	A33090458
9.1	Vertical vane	A33090440
9.2	Louver holder	A32800079
10	Louver motor	N00200004
11	Drain hose	A01020038
15	Evaporator assembly	E329A0031
16	Fan motor cover	A33090196
17	Asynchronous motor	N00400931
18	Bearing base	Q30100201
19	Cross flow fan	A002G0001
20	Chassis assembly	A33090422
21	Pipe clamp board	B32800001
23	Installation plate	B32990001
24	Electronic control box assembly	2033328A0851
24.1	Cover of electronic control box	A33090166
24.2	Electronic control box	A33090165
24.3	Main control board assembly	2013328A0601
24.3.1	Fan motor capacitor	N01270007
24.4	Ambient temperature sensor assembly	M01300092
24.5	Pipe temperature sensor assembly	M01300077
24.6	Wire joint	M01450119
25	Remote Controller	W550A5799

27	Seal ring	Q20090001
28	Drain connecter	A01020011
29	Nut	F00330002
29	Nut	F00330004
31	Fixing board of fan motor	A33090167
34	insulated axis	A31390149
35	Horizontal louver (above)	A33090939
36	Horizontal louver (below)	A33090940
39	Fix clamp of temperature sensor	A02000305