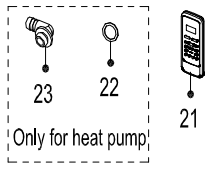


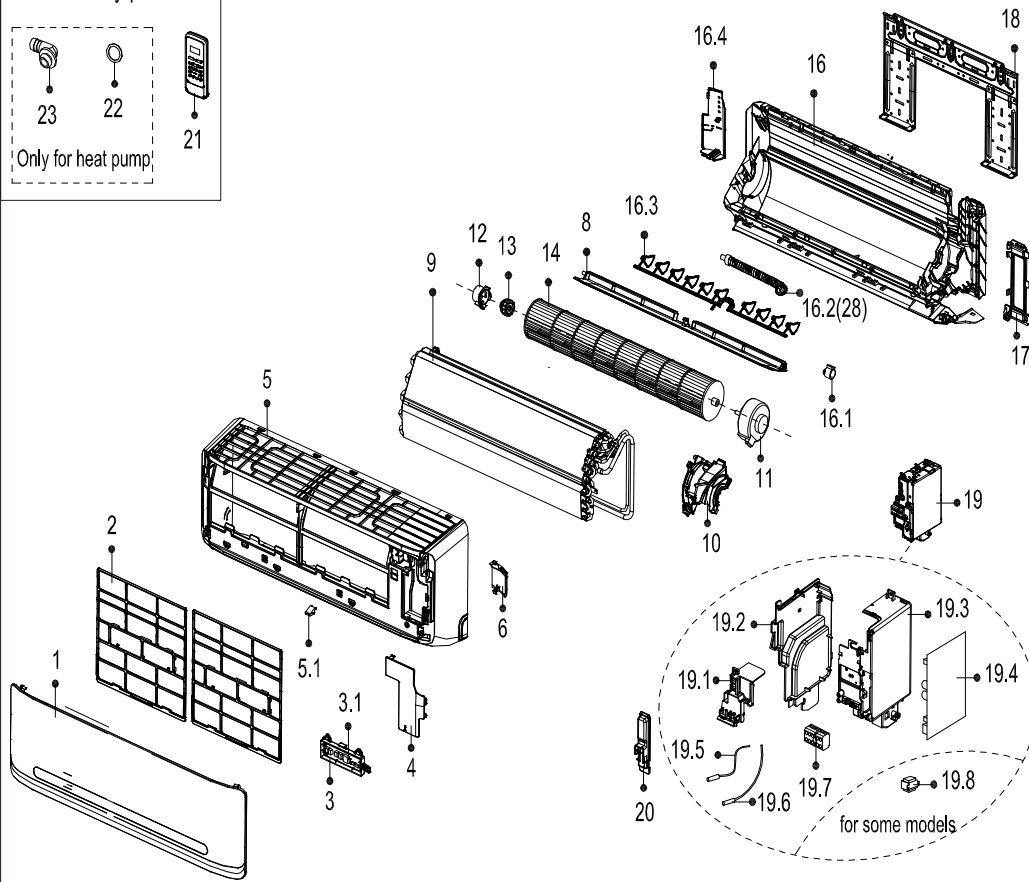
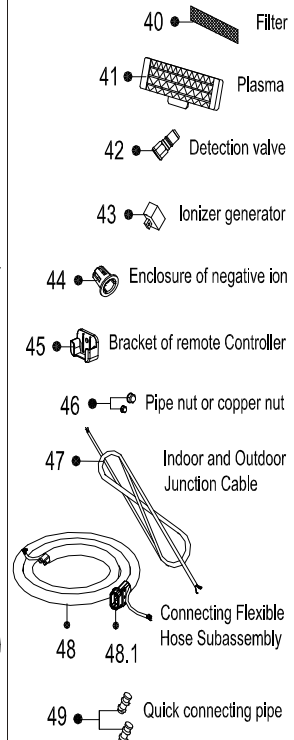
**Sale Model :**  
**Power Supply :**

**CPG009CD (I)**  
**220V/1Ph/60HZ**

Accessory part



Optional part



No .	DESCRIPTION	QTY	PART #
1	Panel assembly	1	12122000A29999
2	Air filter	2	201132392636
3	Display box assembly	1	17222000A08319
3.1	Display board assembly	1	17122000A09004
4	Cover of electrical equipment	1	201132591087
5	Panel frame assembly	1	201132392637
6	Right cover of chassis	1	201132501310
8	Horizontal louver assembly	1	201132392639
<b>9</b>	<b>Evaporator assembly</b>	<b>1</b>	<b>201532390248</b>
10	Fan motor cover	1	201132591088
<b>11</b>	<b>Fan motor</b>	<b>1</b>	<b>202400300017</b>
12	Bearing holder	1	201119900952
13	Bearing base	1	202719900606
14	Cross flow fan	1	201100200338
16	Chassis assembly	1	12122000012359
16.1	Louver motor	1	202400200031
16.3	Vertical vane	1	201132392669

16.4	Left cover of chassis	1	12122000010098
17	Pipe clamp board	1	12122000012943
18	Installation plate	1	201232390037
19	Electronic control box assembly	1	17222000009269
19.1	Top cover of electronic control box	1	201132591082
19.2	Left side plate of Electronic control box	1	201132591083
19.3	Right side plate of Electronic control box	1	201132591084
19.4	Indoor main control board assembly	1	17122000018651
19.5	Ambient temperature sensor assembly	1	202301310079
19.6	Pipe temperature sensor assembly	1	202301300426
19.7	Wire joint	1	202301400488
20	Cover of electronic control box	1	201132591086
21	Remote Controller	1	17317000A16345
22	Seal ring	1	202720090001
23	Drain joint	1	201101020011
28	Drain hose	1	201132300999
40	Air freshening filter	1	201131410703
45	Bracket of remote Controller	1	2011550A3109
46	Pipe nut or copper nut	1	201600320001
46	Pipe nut or copper nut	1	201600320000