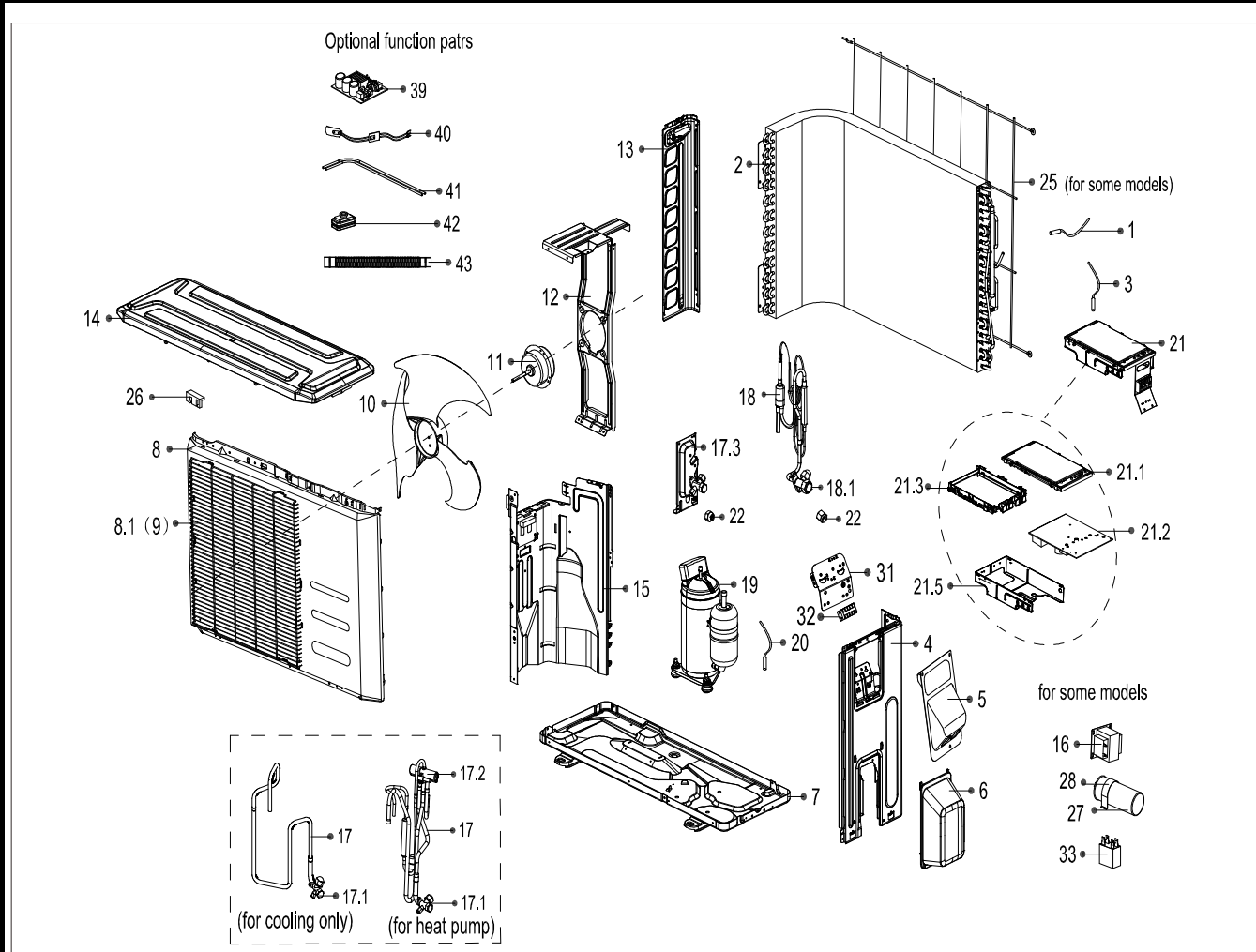


Sale Model :

CPG009CD (O)

Power Supply :

220V/1Ph/60HZ



No.	DESCRIPTION	QTY	PART #
1	Ambient temperature sensor assembly	1	202301300476
2	Condenser assembly	1	15822000003596
3	Pipe temperature sensor assembly	1	202440500004
4	Right clapboard assembly	1	12222000006249
5	Big handle	1	12222000005102
6	Water collector	1	201137500025
7	Chassis assembly	1	12222000006485
8	Front panel	1	12222000004842
9	Air outlet grille	1	12222000007424
10	Axial flow fan	1	201100300559
11	Fan Motor	1	11002012009060
12	Supporter assembly of fan motor	1	12222000004184
13	Left supporter	1	12222000006244
14	Top cover assembly	1	12222000006246
15	Partition board assembly	1	12222000006484
17	4-Ways valve assembly	1	15422000004672
17.1	Gas valve	1	201600700106

17.2	4-Ways valve	1	201600630515
17.3	Valve plate	1	201237300325
18	Liquid valve assembly	1	15422000004812
18.1	Liquid valve	1	201600700107
19	Compressor	1	201400603750
20	Discharge temperature sensor assembly	1	202301300103
21	Electronic control box assembly	1	17222000A16551
21.1	Cover of electronic control box	1	201237300311
21.2	Outdoor power board assembly	1	17122000A13668
21.3	Support of electronic control box	1	201137300252
21.5	Electronic installing box	1	201237300308
22	Copper nut	1	201600320001
22	Copper nut	1	201600320000
25	Rear net	1	201237400467
31	Terminal board	1	201237500304
32	Wire joint	1	202301400256
33	Capacitor	1	202401190019
40	Crankcase electric heater	1	2024031A0206