

The Dacor logo is rendered in a bold, italicized, sans-serif font with a metallic, 3D effect. The letters are dark with a lighter, reflective highlight on the top and left sides, giving it a sleek, modern appearance. A registered trademark symbol (®) is located to the right of the logo.

# **dacor**

The Life of the Kitchen.®

A photograph of a white Dacor electric cooktop with four burners, set on a wooden kitchen island. The cooktop is the central focus, with various kitchen items like a bowl, a bottle, and a basket of bread visible in the background. The image is slightly faded to allow the text to be read clearly.

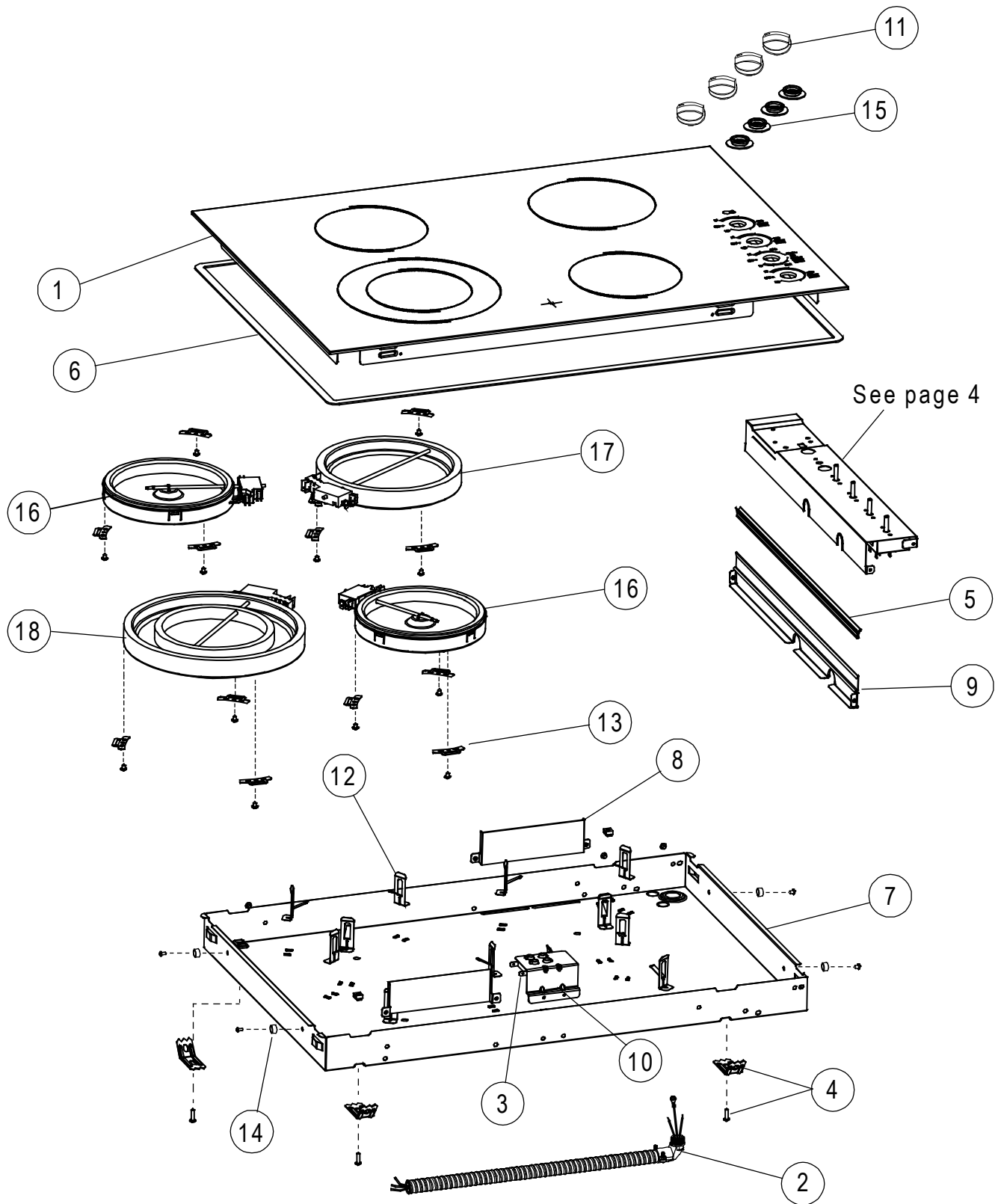
## **PARTS CATALOG**

### **DECT304 Electric Cooktop**

<b>Page #</b>	<b>Description</b>
<b>2</b>	<b>Chassis Assembly</b>
<b>3</b>	<b>Chassis Parts</b>
<b>4</b>	<b>Control Panel</b>

Revised 04-04-2012

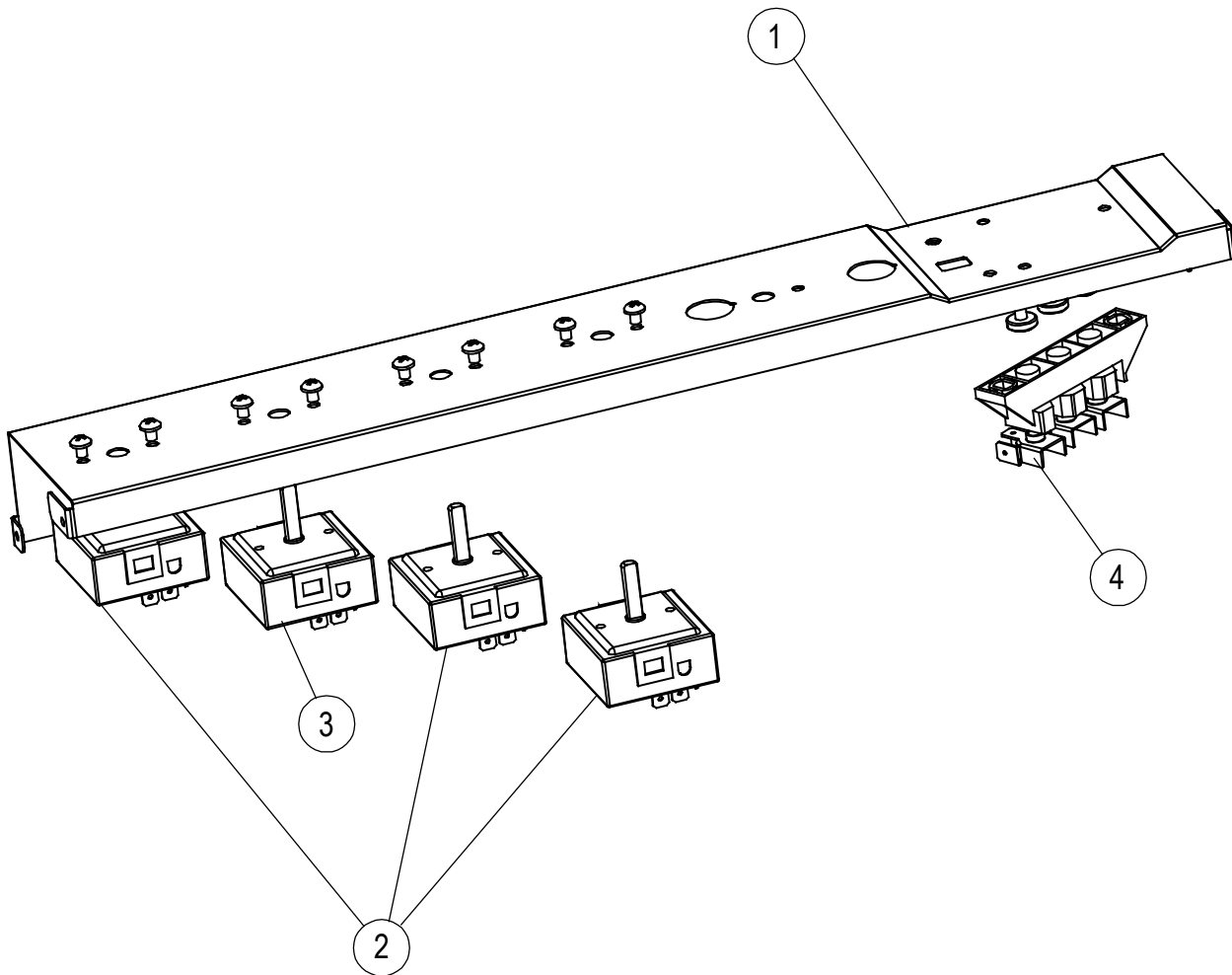
# DECT304 Cooktop - Chassis Assembly



# DECT304 Cooktop - Chassis Parts

<b>Item</b>	<b>Description</b>	<b>Part #</b>
<b>1</b>	Cooktop Glass	105741
<b>2</b>	Conduit and Power Wiring Harness	105743
<b>3</b>	Hot Surface Indicator Light Assy	105749
<b>4</b>	Clamp Bracket with Screws	105753
<b>5</b>	Seal, Control Panel	105755
<b>6</b>	Seal, Foam Tape (countertop)	105756
<b>7</b>	Burner Box (chassis)	105759
<b>8</b>	Reflector	105761
<b>9</b>	Heat Shield	105762
<b>10</b>	Bracket for Hot Surface Indicator Light Assy	105763
<b>11</b>	Knob	105765
<b>12</b>	Element Support	105766
<b>13</b>	Element Bracket	105767
<b>14</b>	Spacer, Chassis	105768
<b>15</b>	Seal, Knob Hole	105757
<b>16</b>	Heating Element, 6 Inch (single)	105746
<b>17</b>	Heating Element, 7 Inch (single)	105747
<b>18</b>	Heating Element, 9 Inch (dual)	105748
-	Wiring Harness (Not Shown)	105738
-	Scraper, Ceran (Not Shown)	105740

# DECT304 Cooktop - Control Panel



Item	Description	Part #
1	Control Panel Chassis	105758
2	Rheostat, Single Element	105751
3	Rheostat, Dual Element	105752
4	Terminal Block	105745