



The Life of the Kitchen.®

PARTS CATALOG

ETT304 Cooktop

IMPORTANT: ETT304 cooktops that do not have a “-1” at the end of the model number may have some parts that are **No Longer Available (NLA)**. If the part you need is no longer available, please contact Dacor for a possible solution. For model numbers that end with a “-1”, please see the ETT304-1 parts section on www.dacorservice.com/partscatalog.

DACOR CARES PROGRAM NLA Part Locator Service

Customer Contact Number:

(800) 793-0093 ex. 2813
Hours: 6:00 AM - 5:00 PM Pacific Time

Service Agent/Technician Contact Number:

(800) 793-0093 ex. 3814
Hours: 7:00 AM - 4:00 PM Pacific Time

Web Inquiries: www.dacor.com/dacorcares **Email Inquiries:** dacorcares@dacor.com

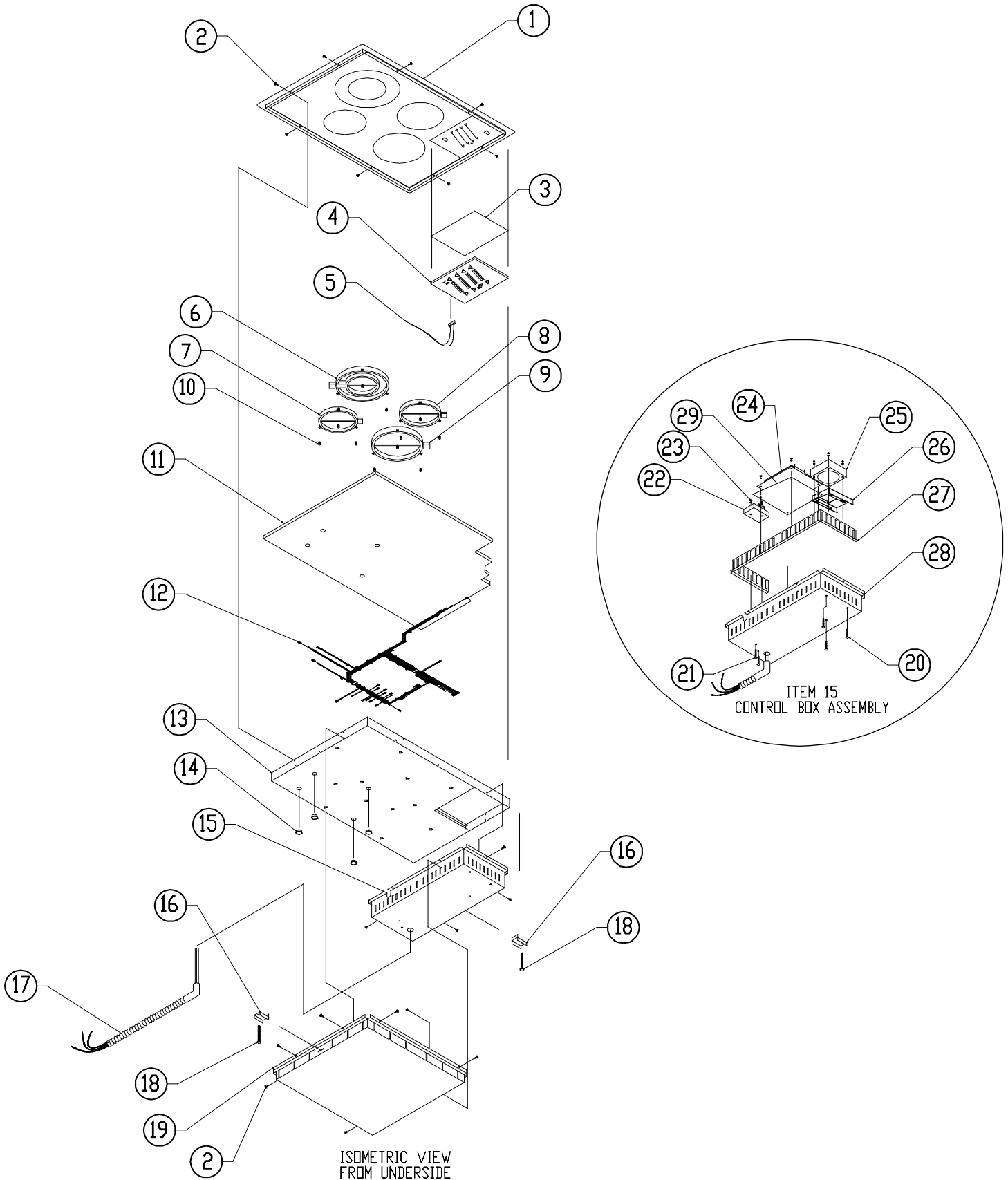
Please provide the following information:

- Your name and phone number
- Product model number
- Product serial number
- The part number(s) you need

Page #	Description
2	ETT304 Assembly
3	ETT304 Parts

Revised 10-18-2011

ETT304 Cooktop Assembly



ETT304 Cooktop Parts

Item #	Description	Part #
1	Cooktop Top Glass Panel, Model ETT304B, Early Version ¹	12417B ¹
	Cooktop Top Glass Panel, Model ETT304B, Later Version ²	66948B ²
	Cooktop Top Glass Panel, Model ETT304BG, Early Version ³	12586BG ³
	Cooktop Top Glass Panel, Model ETT304BG, Later Version ⁴	66946BG ⁴
	Cooktop Top Glass Panel, Model ETT304R, All Units	12417R
	Cooktop Top Glass Panel, Model ETT304RF, Early Version ⁵	12586RF ⁵
	Cooktop Top Glass Panel, Model ETT304RF, Later Version ⁶	66946RF ⁶
	Cooktop Top Glass Panel, Model ETT304S, Early Version ⁷	12584S ⁷
	Cooktop Top Glass Panel, Model ETT304S, Later Version ⁸	66951S ⁸
2	Screw, Phil TRS, #8 X 3/8"	83024
3	Touchpad Adhesive	83372
4	Touch Board, Lower, Early Version ^{1, 3, 5, 7}	62189 ^{1, 3, 5, 7}
	Touch Board, Lower, Later Version ^{2, 4, 6, 8}	72516 ^{2, 4, 6, 8}
5	ETT Ribbon Cable	62063
6	Element, Dual ⁹	700411-04 ⁹
7	Heater, Series 8, 1200 W ⁹	66128 ⁹
8	Heater, Series 8, 1500 W ⁹	66129 ⁹
9	Heater, Series 8, 1800 W ⁹	66130 ⁹
10	Spring, Heater	100644

Item #	Description	Part #
11	Insulation Blanket	26800
12	Wiring Harness	62630
13	Chassis Weldment	27481
14	Heyco Bushing SB-875-11	83056
15	Control Box Assembly	13254
16	Hold Down Bracket	12045
17	Conduit Service Kit ¹⁰	66798 ¹⁰
18	1/4-20 x 3.50 Hex Head Bolt	83065
19	Heat Shield Weldment	26646
20	Screw, Phil Trs Hd, #10 X 1/2"	83022
21	Terminal Block Screws	83326
22	Terminal Block	62052
23	Nut, Keps, #10-24	83009
24	Power Board, Early Ver ^{1, 3, 5, 7}	62059 ^{1, 3, 5, 7}
	Power Board, Later Ver ^{2, 4, 6, 8}	72517 ^{2, 4, 6, 8}
25	Cooling Fan	62053
26	Fan Mounting Bracket	36490
27	Control Box Air Baffle	36440
28	Weldment, Control Box	27670
29	Power Board Insulator	83378
-	Accy, Cleaner, Ceran ¹¹	A300
-	Scraper, Ceran ¹¹	82499
-	Counter Gasket ¹¹	13208

Notes*
¹ Model ETT304B Rev D and earlier units built before 6/18/03
² Model ETT304B Rev E and later units built on or after 6/18/03
³ Model ETT304BG Rev C and earlier units built before 6/18/03
⁴ Model ETT304BG Rev D and later units built on or after 6/18/03
⁵ Model ETT304RF Rev C and earlier units built before 6/18/03
⁶ Model ETT304RF Rev D and later units built on or after 6/18/03
⁷ Model ETT304S Rev B and earlier units built before 6/18/03
⁸ Model ETT304S Rev C and later units built on or after 6/18/03
⁹ For complete element kit, order PN 62792
¹⁰ Includes conduit, elbow, wires and terminals
¹¹ Not shown

* Revision letter is the second character in the serial number, found on the label on the under side of the unit.

Part no longer available? Call Dacor: (800) 793-0093 ex. 3814