

The Dacor logo is written in a bold, italicized, sans-serif font. The letters are black and have a slight shadow effect. A registered trademark symbol (®) is located at the end of the word.

dacor.

Family-Owned. American-Made.

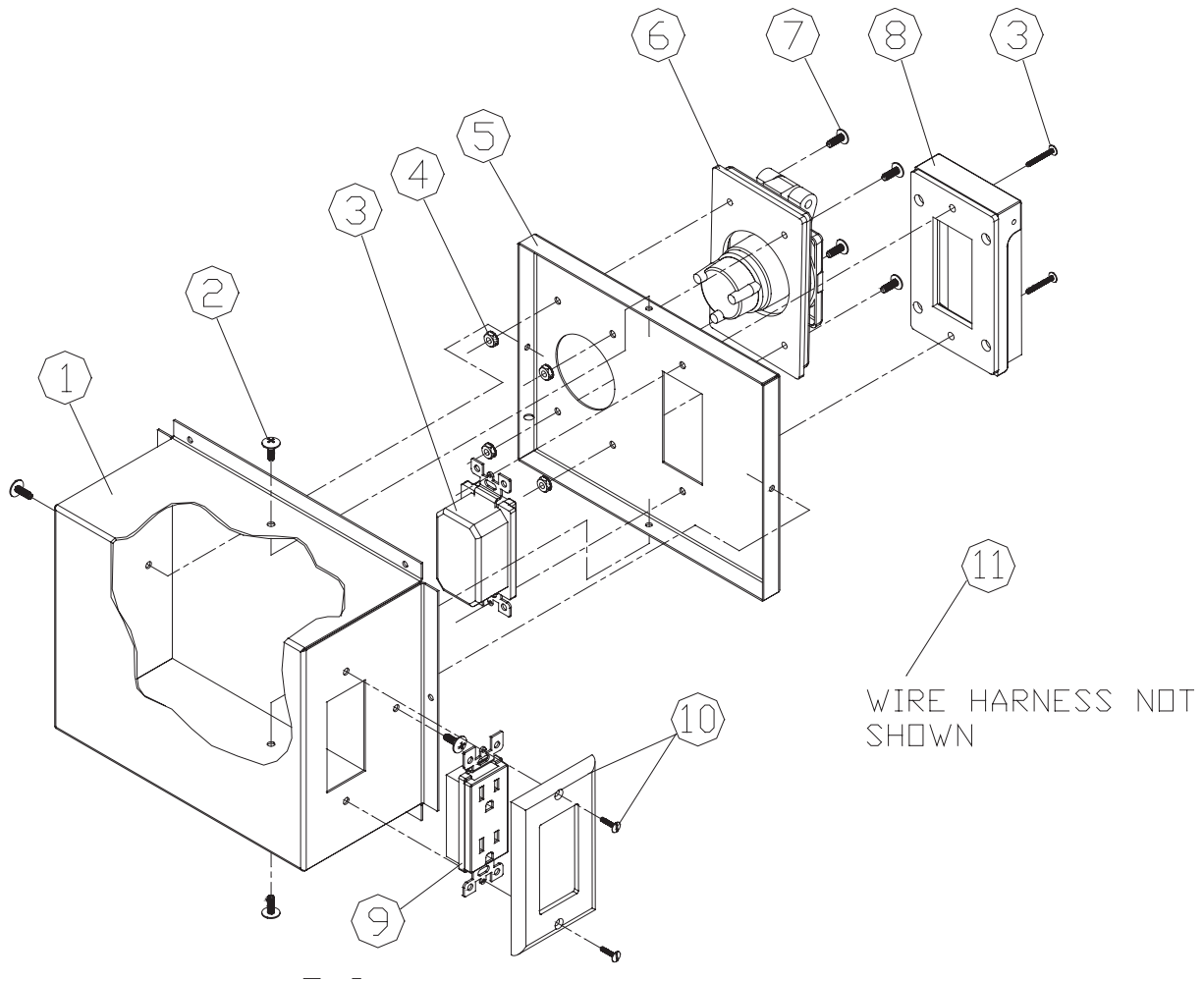
The background of the top half of the page is a faded, grayscale image of a kitchen. In the center is a stainless steel gas range with a white bowl on the stovetop. To the left, there are various kitchen items like a bowl and a bottle. To the right, there's a wooden cutting board and a basket. The overall scene is a typical home kitchen.

**PARTS
CATALOG**

OGCW52 BBQ Cart

Right Panel	Single Top Drawer
Tank Drawer	Electric Box
Bottom Panel	Bottom Drawer
Left Panel	Drawer Divider
Warming Oven	Updates

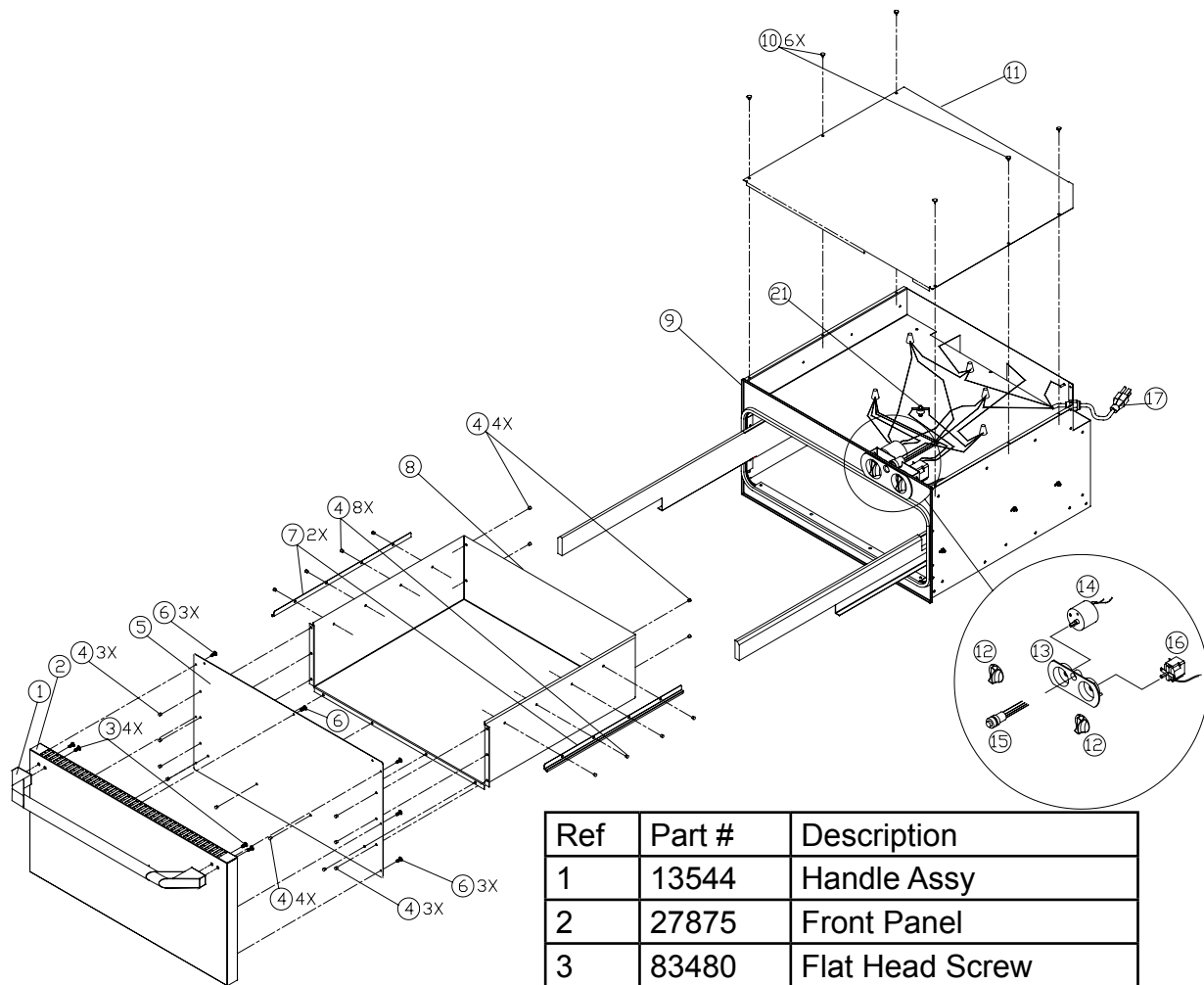
OGC Electric Box Assembly



Ref. #	Part Number	Description
1	46088	ELECTRIC BOX
2	83684	SCREW,10-24X1/2",TRUSS
3	72905	ELECTRIC OUTLET, 2 FEMALE
4	83628	KEPS NUT,#8-32 SS
5	46085	ELECTRIC BOX COVER
6	72904	ELECTRIC OUTLET, 1 MALERC
7	83689	SCREW, 8-32X1/2 TRUSS PHILL
8	72921	LEV 4998-6Y 1G WP DUPLEX
9	72903	ELECTRIC OUTLET, 2 FEMALE
10	72922	LEV 80401-GY 1G GRAY
11	72960	WIRE HARNESS NOT SHOWN

dacor.

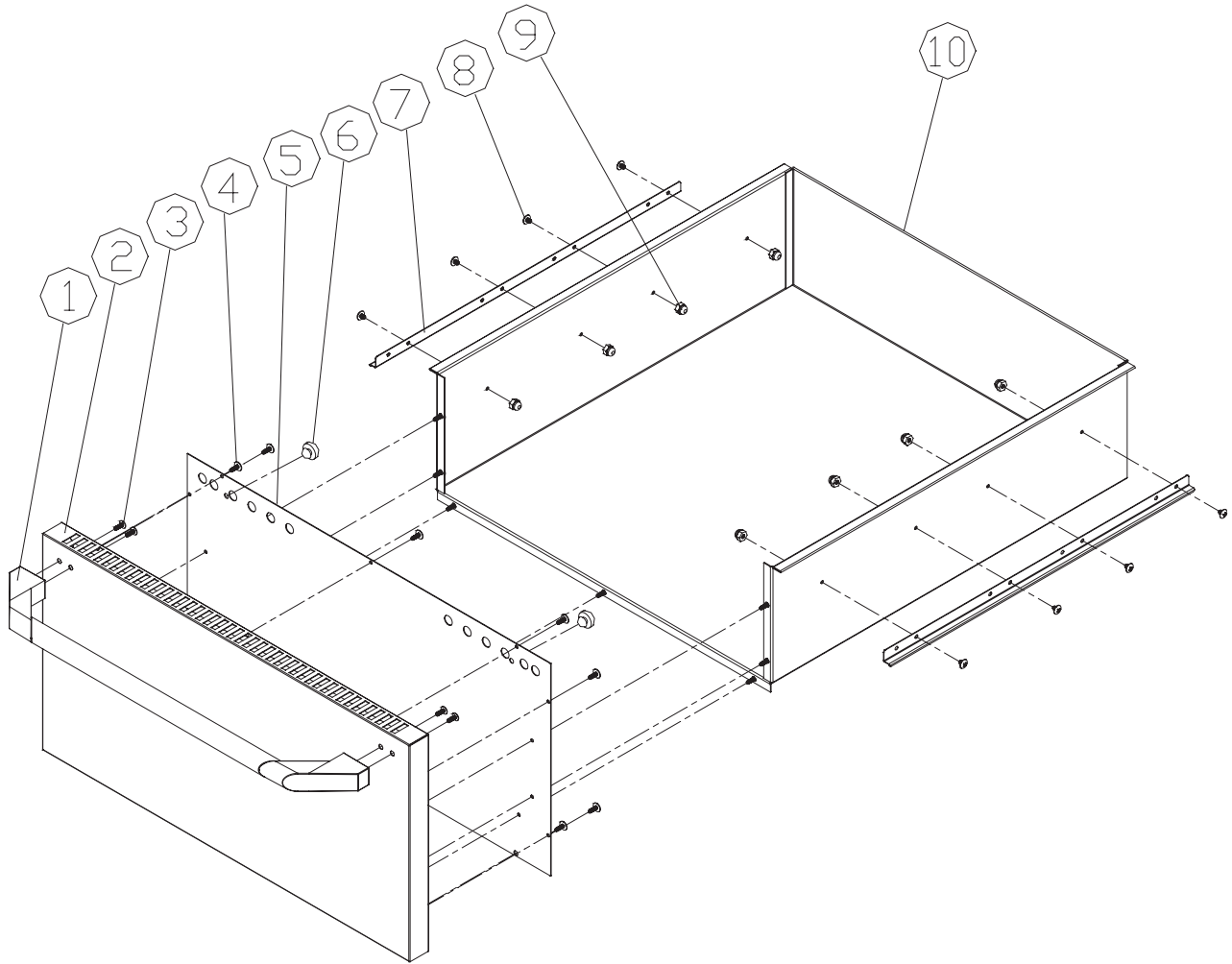
OGCW52 - Warming Drawer Assy



Ref	Part #	Description
1	13544	Handle Assy
2	27875	Front Panel
3	83480	Flat Head Screw
4	83652	Rivet, 1/8 X 1/8 SS
5	36741	Drawer Front
6	83619	Screw, WFR HD
7	72365	Slide Rail Set
8	36740	Drawer Wrap
9	27729	Chassis Weldment
10	83619	Screw 8 X 3/8
11	36744	Chassis Top
12	82267	Knob
13	62786B	Bezel
14	13169	Timer Assy
15	62659	Override Switch
16	72212	Temp Control
17	82562	Power Cord
18	83267	Clip Sensor Bulb
19	62976	Gasket
20	72325	Heating Element
21	82353	Hi Temperature Limit

dacor.

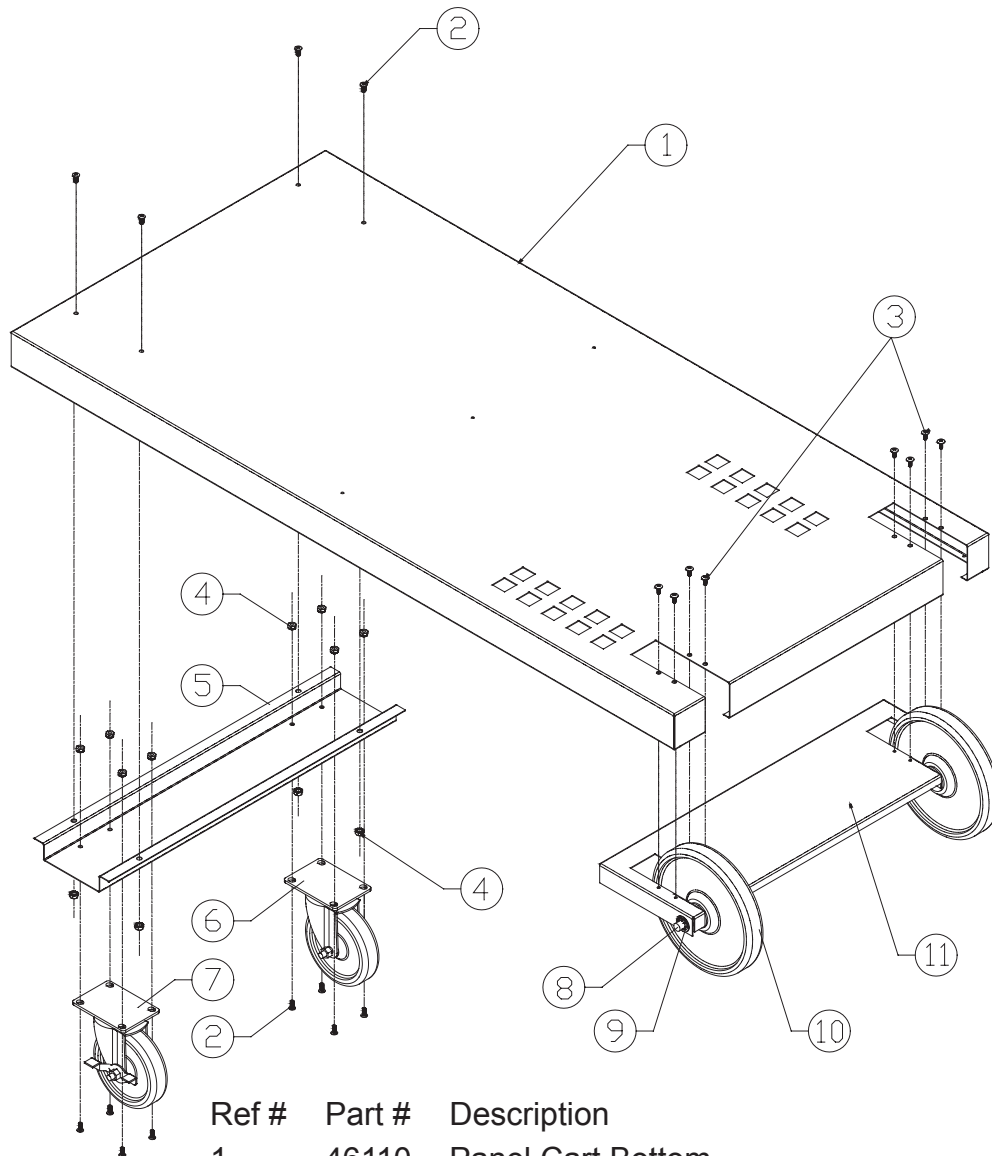
OGCW Bottom Drawer Assembly



Ref #	Part #	Description
1	13544	Handle Assy
2	27903	Drawer Front
3	83480	Flat Head Screw
4	83684	Screw
5	36434	Front Liner
6	72165	Hi Temp Rubber Bumper
7	72207	Slide Rail Set
8	83689	Screw
9	83681	Acorn Nut
10	46082	Drawer Box



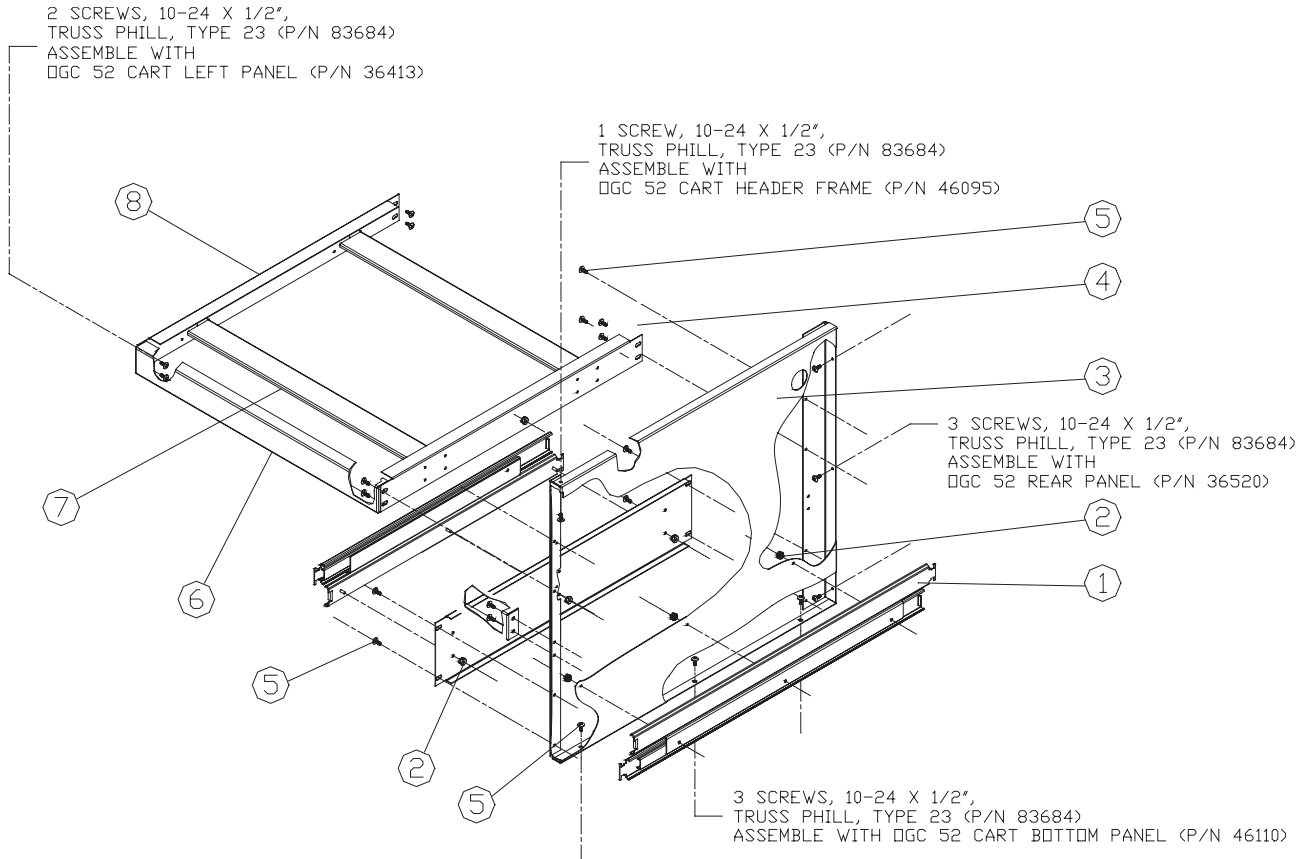
OGCW Bottom Panel Assembly



Ref #	Part #	Description
1	46110	Panel Cart Bottom
2	83657	Bolt, 1/4-20 X1/2
3	83684	Truss Screw 10-24 X 1/2
4	83685	Keps Nut #10-24
5	36349	Caster Channel
6	72906	Caster, Swivel
7	72907	Caster Swivel, Brake
8	83677	Rod
9	83678	Pushnut
10	72901	8" Wheel
11	46084	Rear Channel Wheel



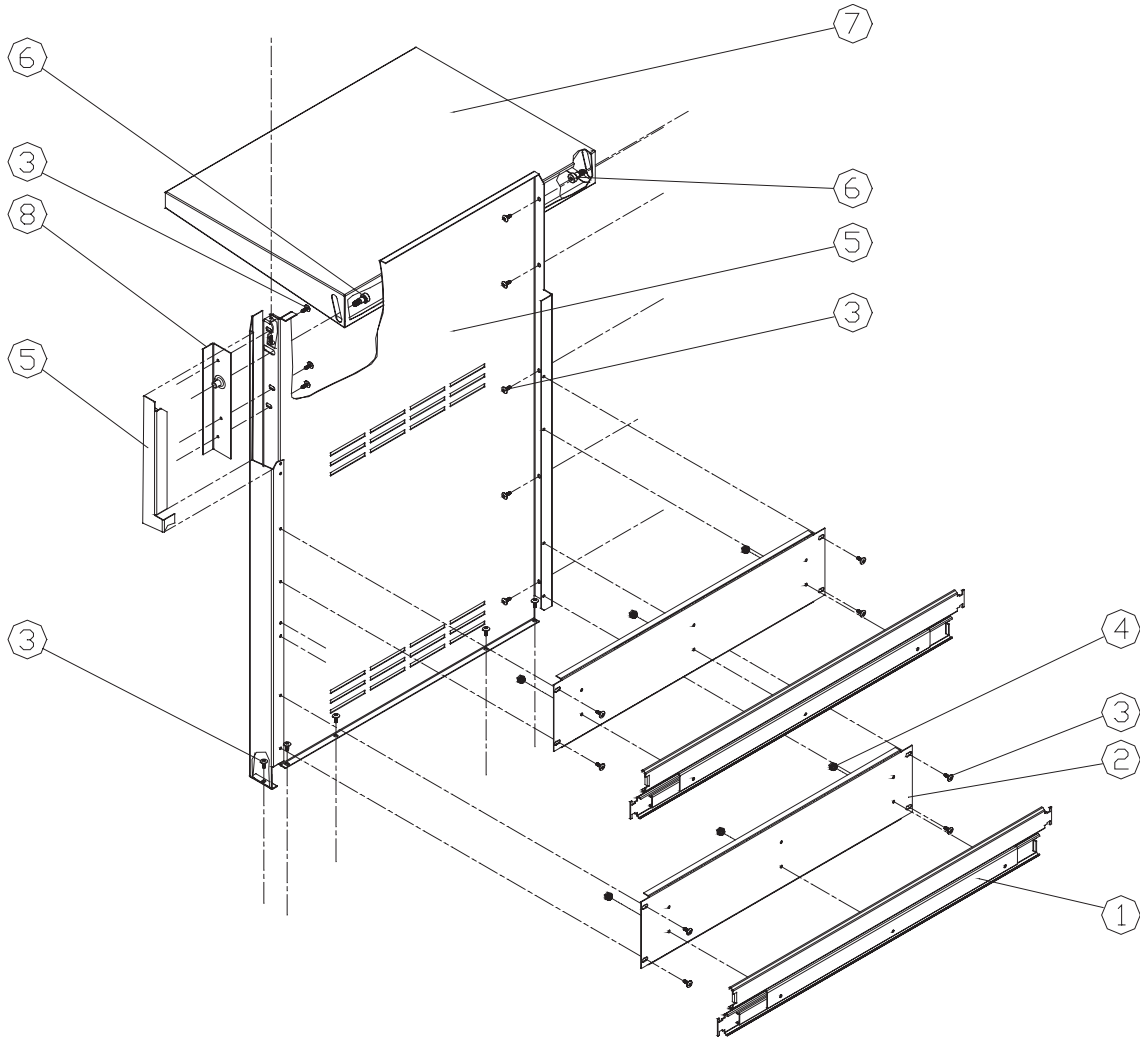
OGCW Drawer Divider Assembly



Ref. No.	Part No	Description
1	72207	Slide rail set
2	83628	Keps nut, #10-24 SS
3	46112	Cart drawer divider
4	46086	Drawer channel, Slide MNT
5	83684	Screw, 10-24x1/2", truss
6	46102	Warming drawer main channel
7	46100	Warming drawer support channel
8	46101	Warming drawer vertical frame



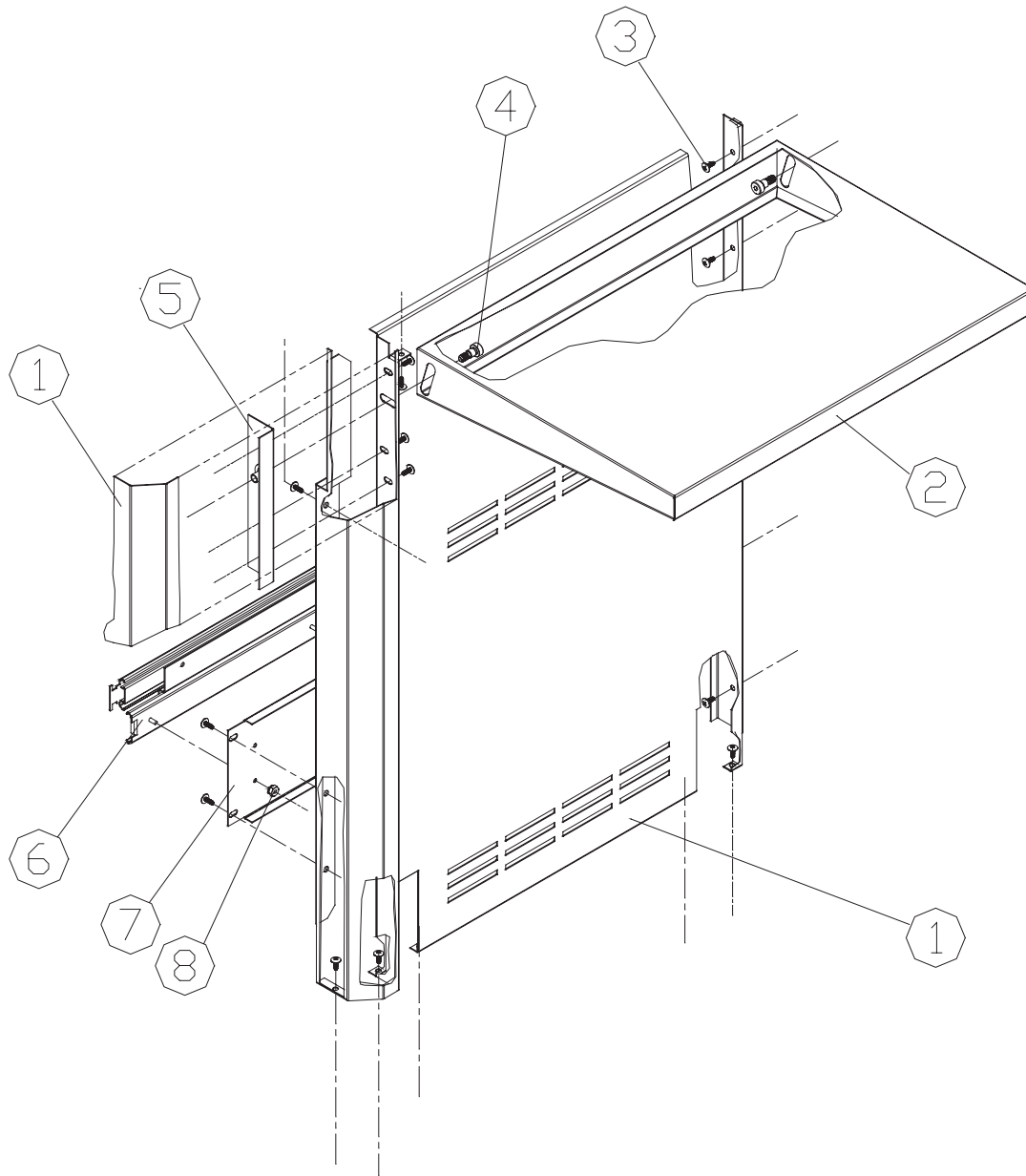
OGCW Left Panel Assembly



Ref #	Part #	Description
1	72207	Slide Rail Set
2	46086	Drawer Channel
3	83684	Screw
4	83192	Keps Nut
5	36413	Side Panel
6	83676	Shoulder Bolt
7	27871	Side Shelf
8	27882	Side Shelf Bracket



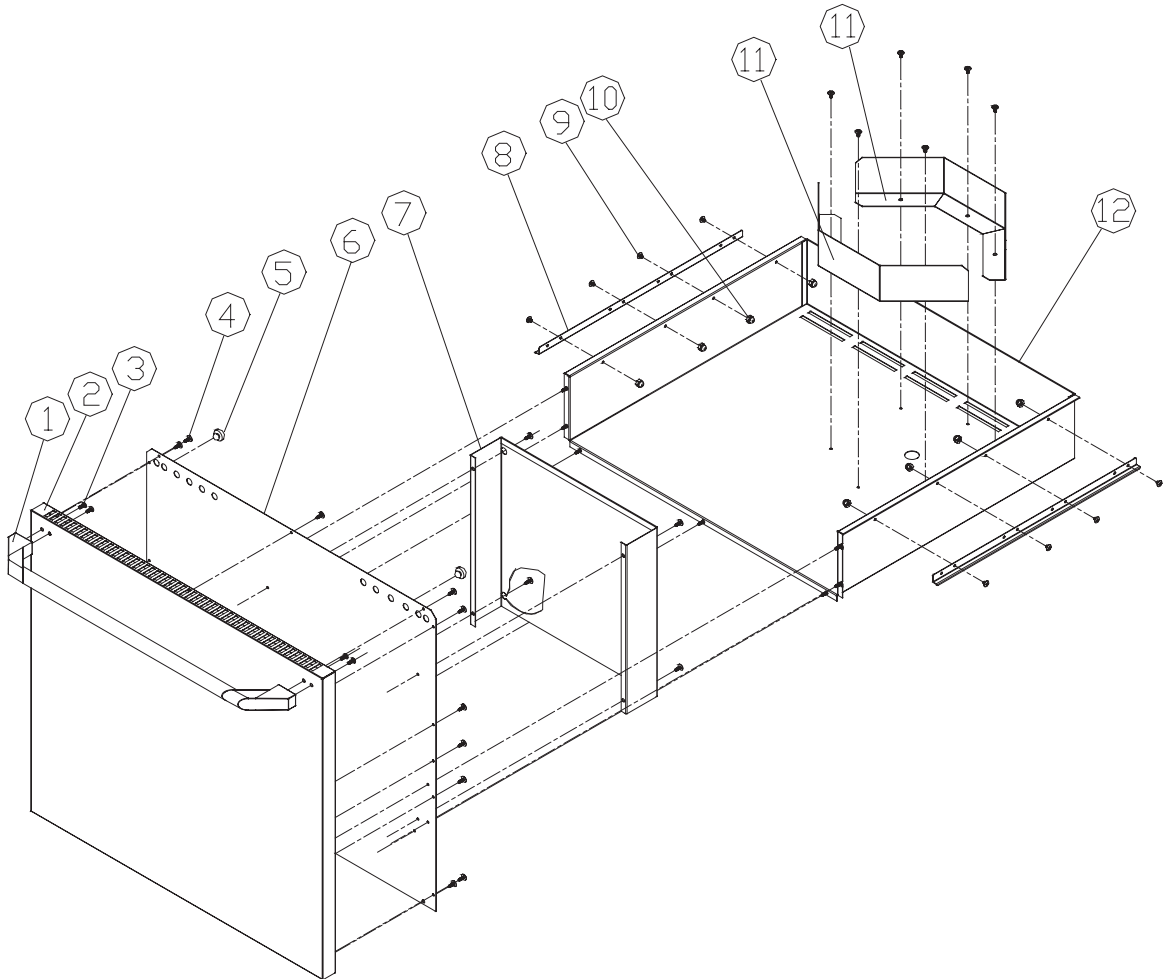
OGCW52 Right Side Panel



Ref #	Part #	Description
1	36370	RH Side Panel
2	27871	Side Shelf
3	83684	Screw
4	83676	Shoulder Bolt
5	27883	Side Shelf Bracket Assy
6	72207	Slide Rail Set
7	46086	Drawer Channel Slide Mnt
8	83192	Keps Nut

dacor

OGCW Tank Drawer Assembly



Ref #	Part #	Description
1	12566	Handle Assy
2	27876	Drawer Front
3	83480	Flat Head Screw
4	83684	Machine Screw 10-24 X 1/2
5	72165	Hi Temp Rubber Bumper
6	36295	Tank Drawer Front Liner
7	46083	Cart Tool Holder
8	72207	Slide Rail Set
9	83689	Screw 10-24 X 1/4
10	83681	Acorn Nut
11	46111	Stationary Tank Holder Bracket
12	46092	Drawer Box





The life of the kitchen™

Date: 9-9-04

Re: Changes to the IOWO & OGC52

Products Covered:
IOWO & OGC52

Revision Level Change:
None

Description of Change:

1. Add P/N 46168 - Bracket Warming Drawer, P/N 83703 – screw 8-32, 83667-screw #10-32 x ½ to IOWO BOM. Remove p/n 83666 – screw, 8x1”, SS from IOWO24 BOM. It will solve teetering of extended drawer by adding a side bracket support.

This is a retrofittable change. The new parts will fit on all serial number revisions.