



**dacor**<sup>®</sup>



**PARTS  
CATALOG**

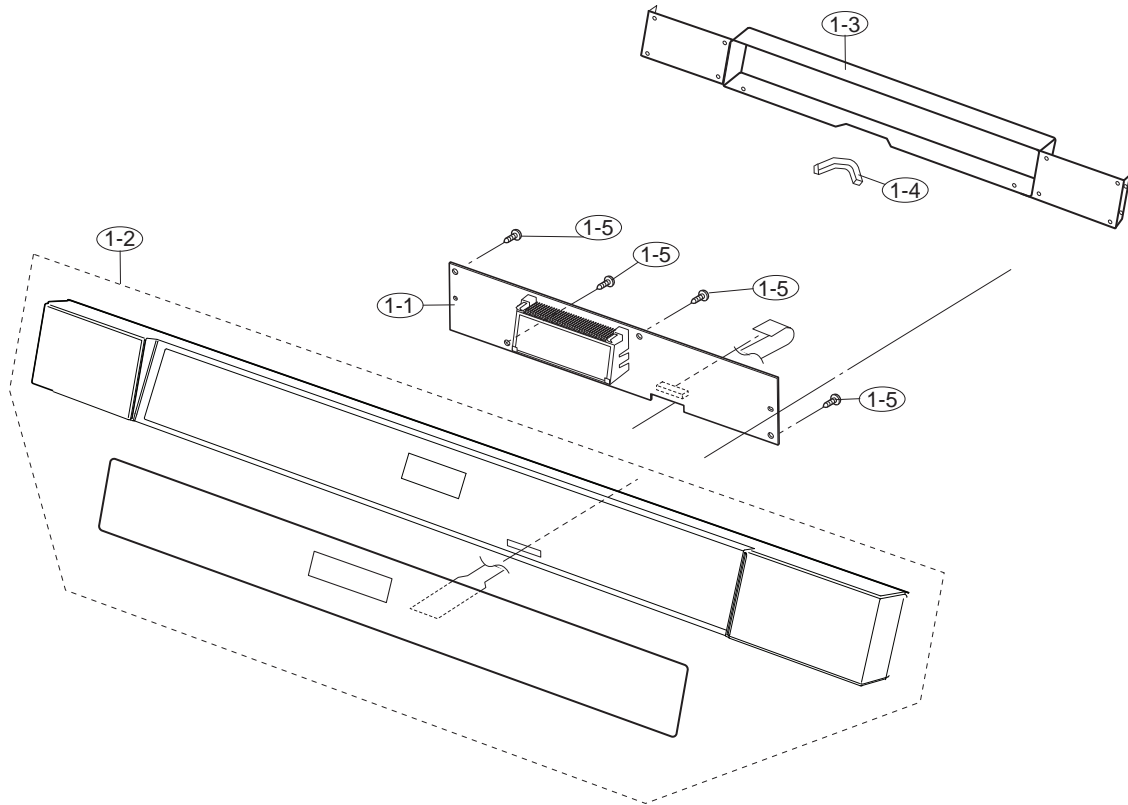
**MMD24B,S**

<b>Control Panel</b>	<b>Bottom Cover</b>
<b>Microwave Drawer</b>	<b>Parts</b>

## CONTROL PANEL

**Note: The parts marked “△” may cause undue microwave exposure.  
The parts marked “\*” are used in voltage more than 250V.**

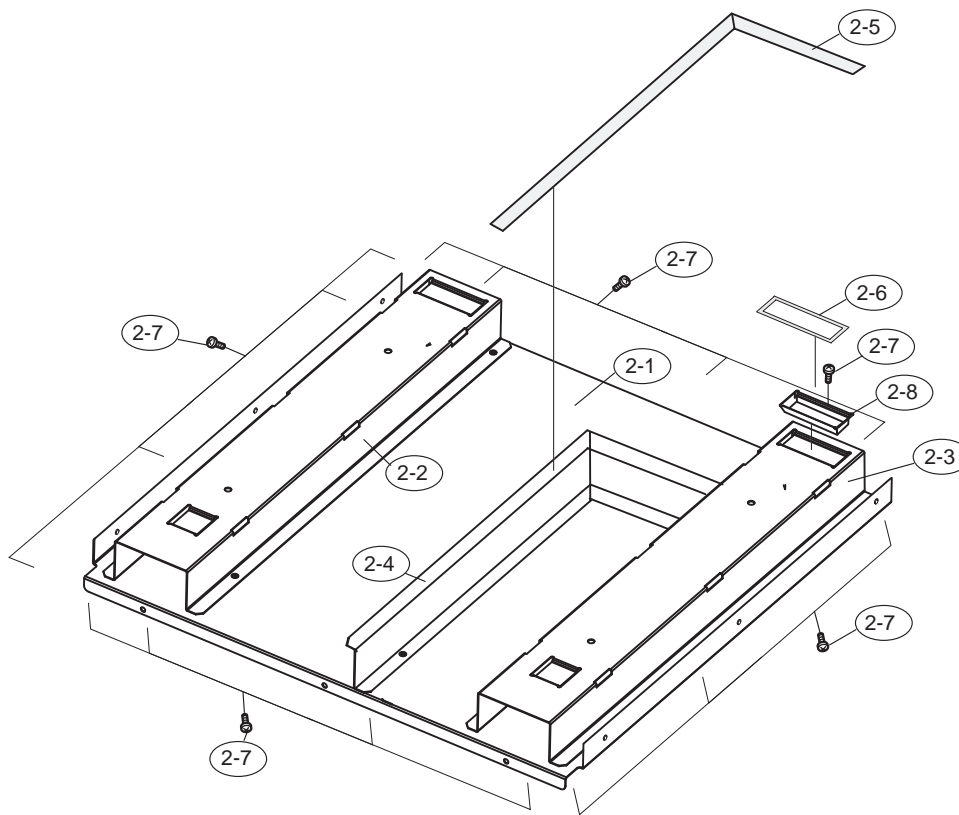
REF. NO.	PART NO.	DESCRIPTION	Q'TY
1-1	DPWBFB167MRU0	Control unit	1
1-2	FPNLCB584MRK0	Touch control panel assy [MMD24S]	1
1-2	FPNLCB585MRK0	Touch control panel assy [MMD24B]	1
1-3	LANGTB237MRP0	C/P cover	1
1-4	PCUSU0464MRE0	C/P cushion	1
1-5	XEPS730P10XS0	Screw	4



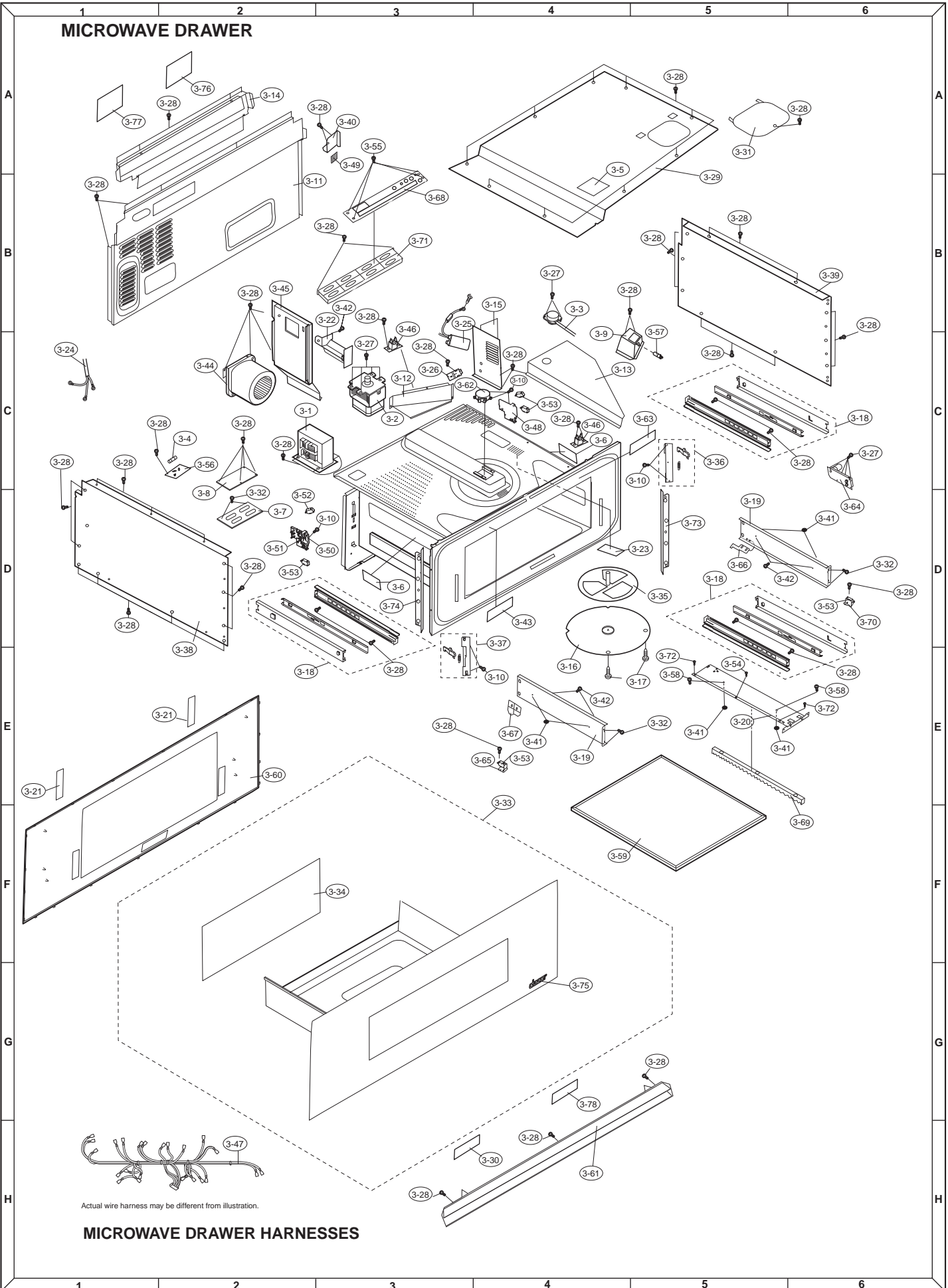
## BOTTOM COVER

Note: The parts marked "Δ" may cause undue microwave exposure.  
The parts marked "\*" are used in voltage more than 250V.

REF. NO.	PART NO.	DESCRIPTION	Q'TY
2-1	PCOVPB192MRP0	Bottom cover	1
2-2	LANG-B043MRP0	Air guide L	1
2-3	LANG-B047MRP0	Air guide R	1
2-4	PSKR-B023MRP0	Partition angle	1
2-5	PCUSUB104MRP0	Bottom cushion A	1
2-6	PCUSGB063MRP0	Bottom cushion B	1
2-7	XOTS740P12000	Screw	14
2-8	PDUC-B173MRF0	Exhaust guide	1



# MICROWAVE DRAWER



## MICROWAVE DRAWER HARNESSSES

## Dacor MMD24 Parts

REF. NO.	Part #	DESCRIPTION
<b>CONTROL PANEL PARTS LIST</b>		
1-1	106025	Control unit
1-2	106026	Touch control panel assy [MMD24S]
1-2	106027	Touch control panel assy [MMD24B]
1-3	106028	C/P cover
1-4	86836	C/P cushion
1-5	86780	Screw
<b>BOTTOM COVER PARTS LIST</b>		
2-1	106029	Bottom cover
2-2	106030	Air guide L
2-3	106031	Air guide R
2-4	106032	Partition angle
2-5	106033	Bottom cushion A
2-6	106034	Bottom cushion B
2-7	86905	Screw
2-8	106035	Exhaust guide
<b>MICROWAVE DRAWER PARTS LIST</b>		
3- 1	106036	Transformer
3- 2	101214	Magnetron
3- 3	101215	Sensor assy
3- 4	66006	Monitor switch (V-16G-2C25) with fuse (20A) assembly
3- 5	----	Schematic
3- 6	101217	Monitor caution label
3- 7	106037	Power supply unit holder
3- 8	101219	Power supply
3- 9	106038	Oven lamp angle
3-10	86820	Screw/washer
3-11	106039	Back plate
3-12	101222	Mag duct
3-13	101223	Sensor duct
3-14	106040	Exhaust duct A
3-15	106041	Exhaust duct B
3-16	106042	Stir cover assy
3-17	66214	Canoe clip
3-18	101226	Slide rail
3-19	101227	Door support angle A
3-20	106043	Door support angle B
3-21	106044	Door support cover
3-22	106045	Magnetron air guide
3-23	66227	Lamp filter
3-24	106047	Power supply cord
3-25	101232	HVC assy
3-26	86817	HVC band
3-27	106048	Screw
3-28	86905	Screw
3-29	106049	Top cover
3-30	101264	Menu label

## Dacor MMD24 Parts

REF. NO.	Part #	DESCRIPTION
3-31	106050	Screw
3-32	86780	Power unit assy screw
3-33	106051	Door assy [MMD24S]
3-33	106052	Door assy [MMD24B]
3-34	101241	Sealer film
3-35	106053	Stirrer fan assy
3-36	106054	Latch angle assy R
3-37	106055	Latch angle assy L
3-38	106056	Side cabinet L
3-39	106057	Side cabinet R
3-40	101246	Air cover
3-41	101247	Cap nut
3-42	101216	Screw
3-43	101249	Stirrer cover cleaning label
3-44	101250	Fan motor
3-45	106058	Fan motor angle
3-46	76230	Thermal cut-out
3-47	106059	Harness assy
3-48	101253	Latch hook R
3-49	106609	Cushion
3-50	101255	Latch hook L
3-51	101256	Switch lever L
3-52	---	Monitor switch - must replace by assy. (3-4)
3-53	66236	Switch
3-54	106060	Special screw
3-55	86780	Screw
3-56	106061	Noise filter unit
3-57	106062	Oven lamp/socket
3-58	106063	Screw
3-59	101260	Oven tray assy
3-60	106064	Choke cover
3-61	106065	Louver, MMD24S
3-61	106607	Louver, MMD24B
3-62	101263	Stirrer motor
3-63	---	User caution label [French]
3-63	106066	User caution label [English]
3-64	106021	Auto drawer gear assy
3-65	106067	Switch angle L
3-66	106068	Actuator R
3-67	106069	Actuator L
3-68	106022	SW power supply
3-69	106023	Rack gear
3-70	106070	Switch angle R
3-71	106071	Switch PSU holder
3-72	101216	Screw
3-73	106608	Side Angle, Right
3-74	106072	Side Angle, Left
3-75	106073	Logo