



The Life of the Kitchen.®

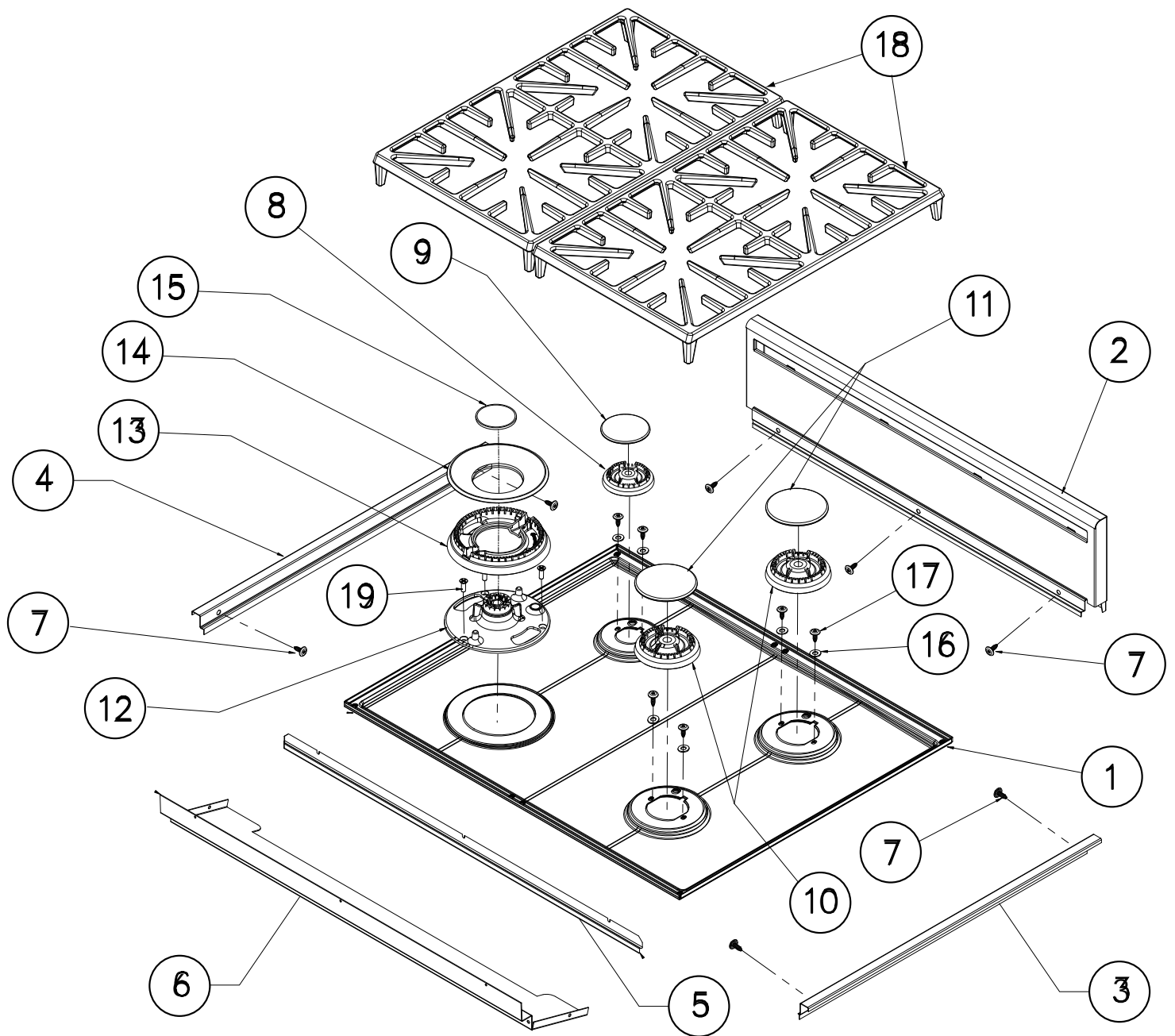
PARTS CATALOG

ER30G/GI

Page #	Sheet Title
1	Grates & Trims
2	Grates & Trims Parts
3	Burners & Tubes
4	Control Panel Assembly
5	Manifold Assembly
6	Oven Cell Assembly
7	Door Assembly
8	Base Assembly
9	Outer Parts

Revised 01-07-2011

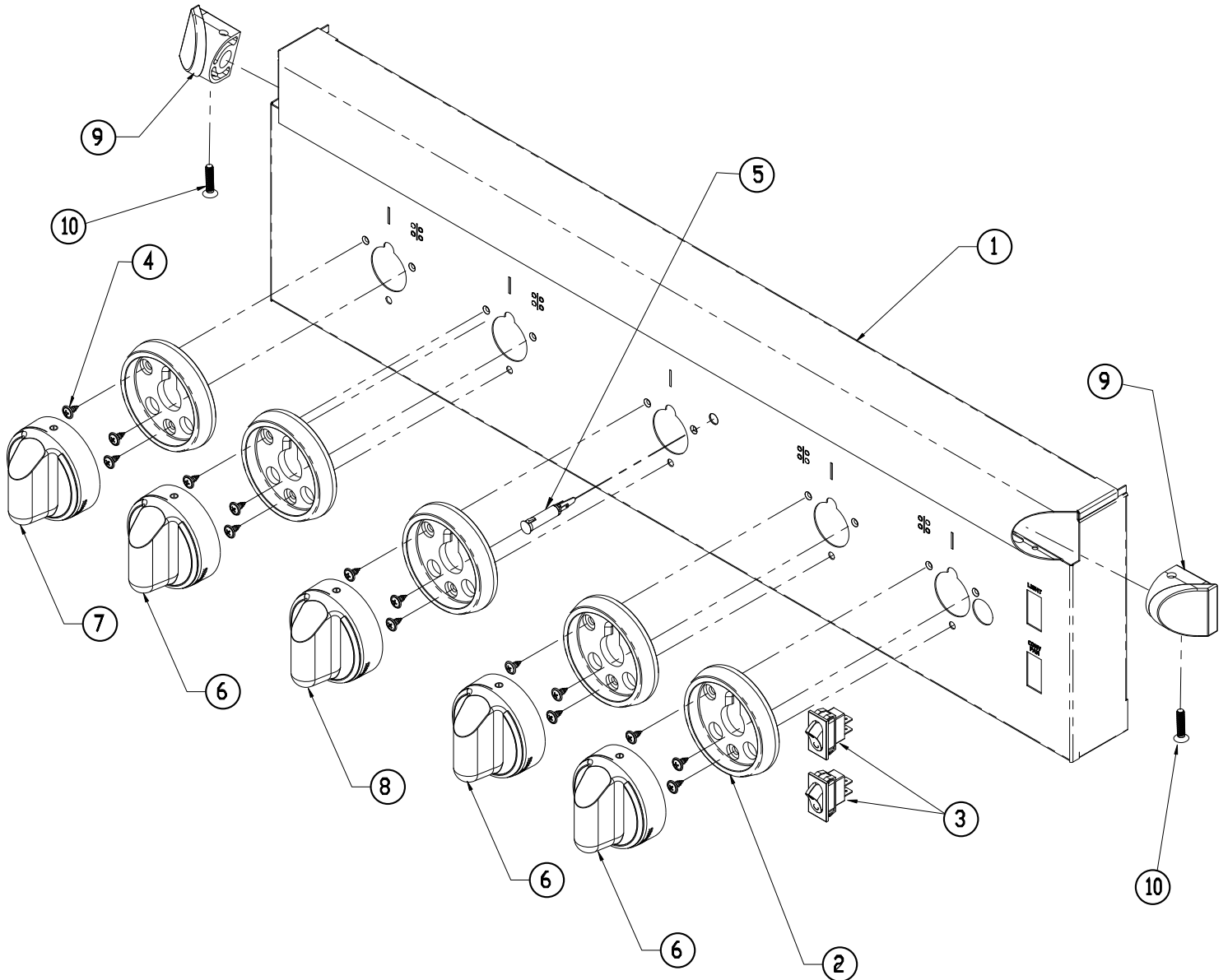
ER30G/GI Grates & Trims



ER30G/GI Grates & Trims Parts

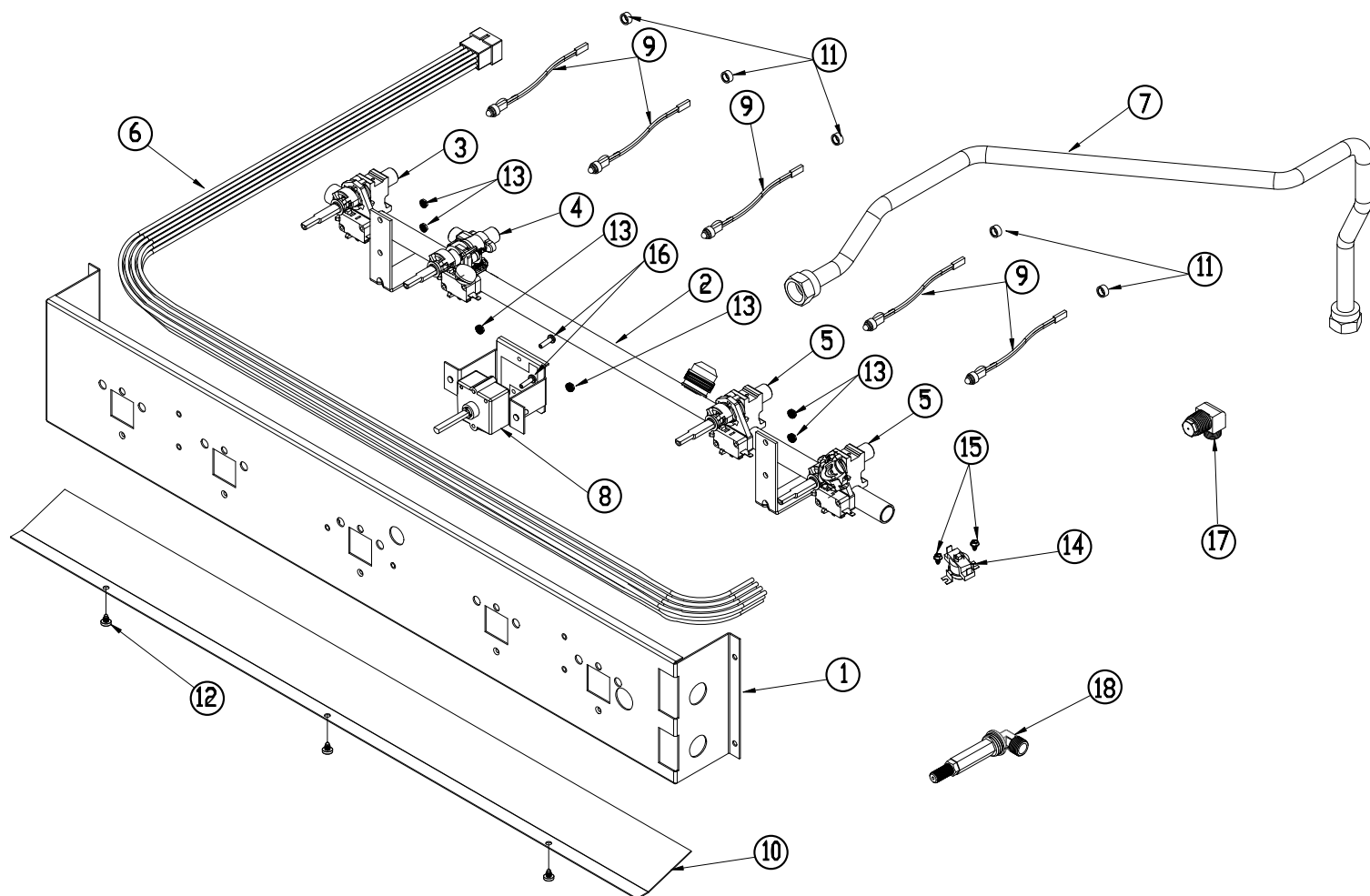
Ref. #	ER30G Part#	ER30GI Part#	Description
1	102596BP	102596BP	Spill Tray, Black Porcelain
2	N/A	701170	Asy, Backguard, Low Prof.
2*	700807-01	N/A	Asy, Backguard, 6"
2*	700807-02	N/A	Asy, Backguard, 3"
2*	700807-03	N/A	Asy, Backguard, 9"
3	102605-02	106382-02	Trim, Top, Side, RH
4	102605-01	106382-01	Trim, Top, Side, LH
5	100973	100973	Trim, Spill Tray, Front
6	N/A	N/A	Channel, Support, Front
7	83263	83263	Screw, Phil ,#8 x 3/8"
8	102594	102594	Ring, Burner, 9.5k
9	102593	102593	Cap, Burner, 9.5k
10	102591	102591	Ring, Burner, 15k
11	102590	102590	Cap, Burner, 15k
12	102587	102587	Ring, Burner, Inner, 18k
13	102588	102588	Ring, Burner, Outer, 18k
14	102586	102586	Cap, Burner, Outer, 18k
15	102585	102585	Cap, Burner, Inner, 18k
16	83272	83272	Flat Washer, #8, SS
17	103696	103696	Screw, M4 x 8 mm lg
18	101524	101524	Grate, 14" x 23"
19	103755	103755	Screw, M4 X 12 mm Lg

ER30G/GI Control Panel Assembly



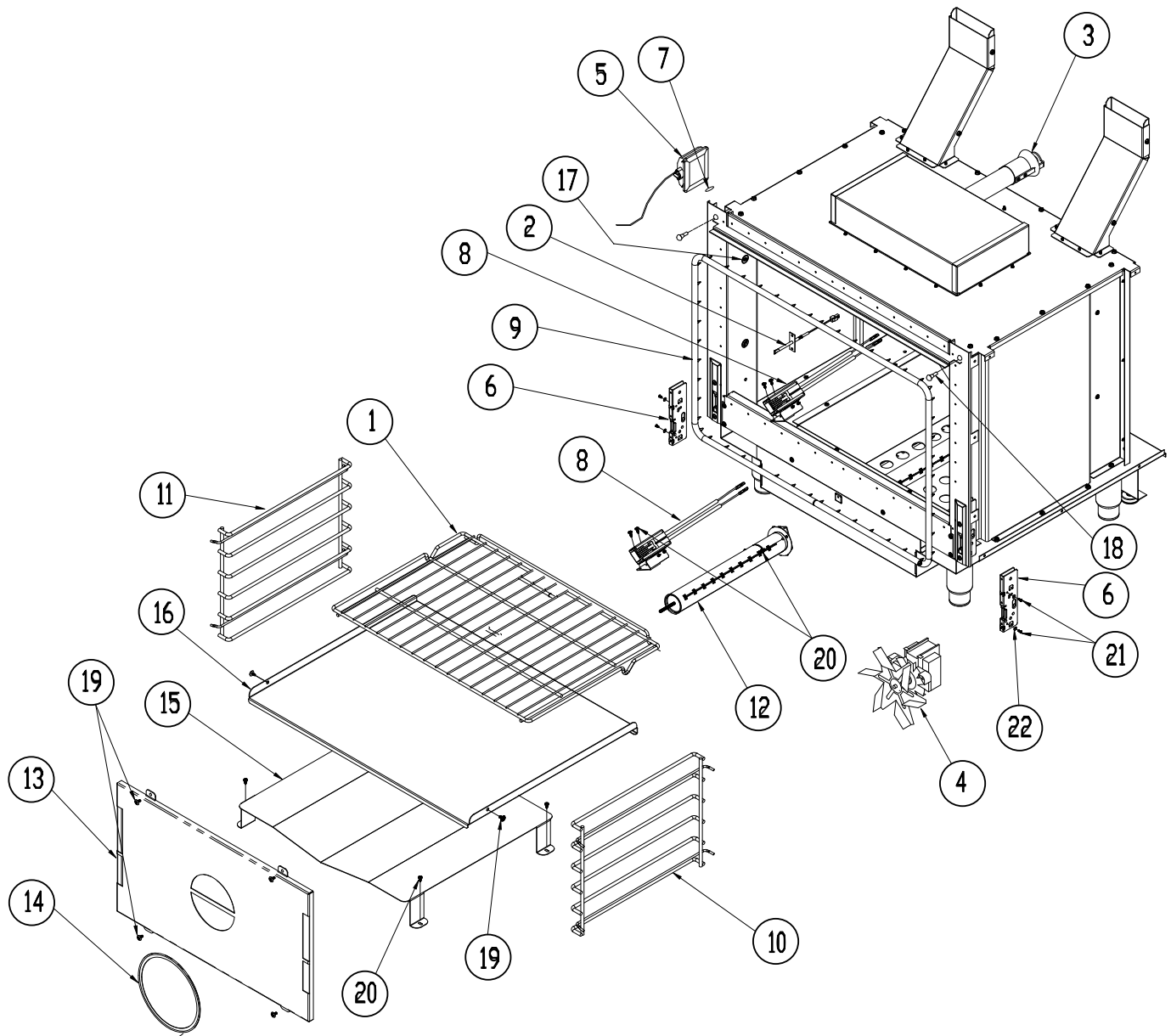
Ref. #	Part #	Description
1	701064	Control Panel, Service
2	100122BC/BR/CH/CP	Trim Ring
3	92407	Oven Light Switch, Blue
4	83709	Screw, Trx Wfr Hd, #8 x 1/2"
5	103690	Oven Indicator Light
6	100127-04	Knob, Illuminated
7	100127-05	Knob, Illuminated
8	100127-06	Knob, Illuminated
9	100128BC/BR/CH/CP	End Cap
10	101505	Screw, #4-40 x 1/2", MS SS

ER30G/GI Manifold Assembly



Ref #	Part # /NG	Part # /LP	Part # NG/H	Part # LP/H	Description
1	N/A	N/A	N/A	N/A	Asy, Sub-Panel w/ Studs
2	700803-01	700803-02	700803-03	700803-04	Asy, Manifold w/ Valves
3	103688-01	103688-03	103688-05	103688-03	Valve, Single, Alum.
4	103689-01	103689-02	103689-03	103689-04	Valve, Dual, Brass
5	103688-02	103688-04	103688-06	103688-04	Valve, Single, Alum.
6	103698-02	103698-02	103698-02	103698-02	Wire Harness, Cooktop
7	102063	102063	102063	102063	Main Manifold Flex Tubing
8	103564	103564	103564	103564	Control, Oven Temp. Selector
9	103705	103705	103705	103705	Asy, LED w/ Socket
10	N/A	N/A	N/A	N/A	Deflector
11	103757	103757	103757	103757	Retaining Ring, LED
12	83001	83001	83001	83001	Screw, Phil Pan, #8 x 1/4"
13	83308	83308	83308	83308	Nut, Keps, #6-32
14	82987	82987	82987	82987	Thermal Switch
15	83023	83023	83023	83023	Screw, Slot HWH, #10 x 3/8"
16	83336	83336	83336	83336	Screw, Phil Pan, #8-32 x 1/2"
17	103556-01	103556-02	103556-03	103556-04	Jet Assy, Broil Burner
18	700935-01	700935-02	700935-03	700935-04	Jet Assy, Bake Burner

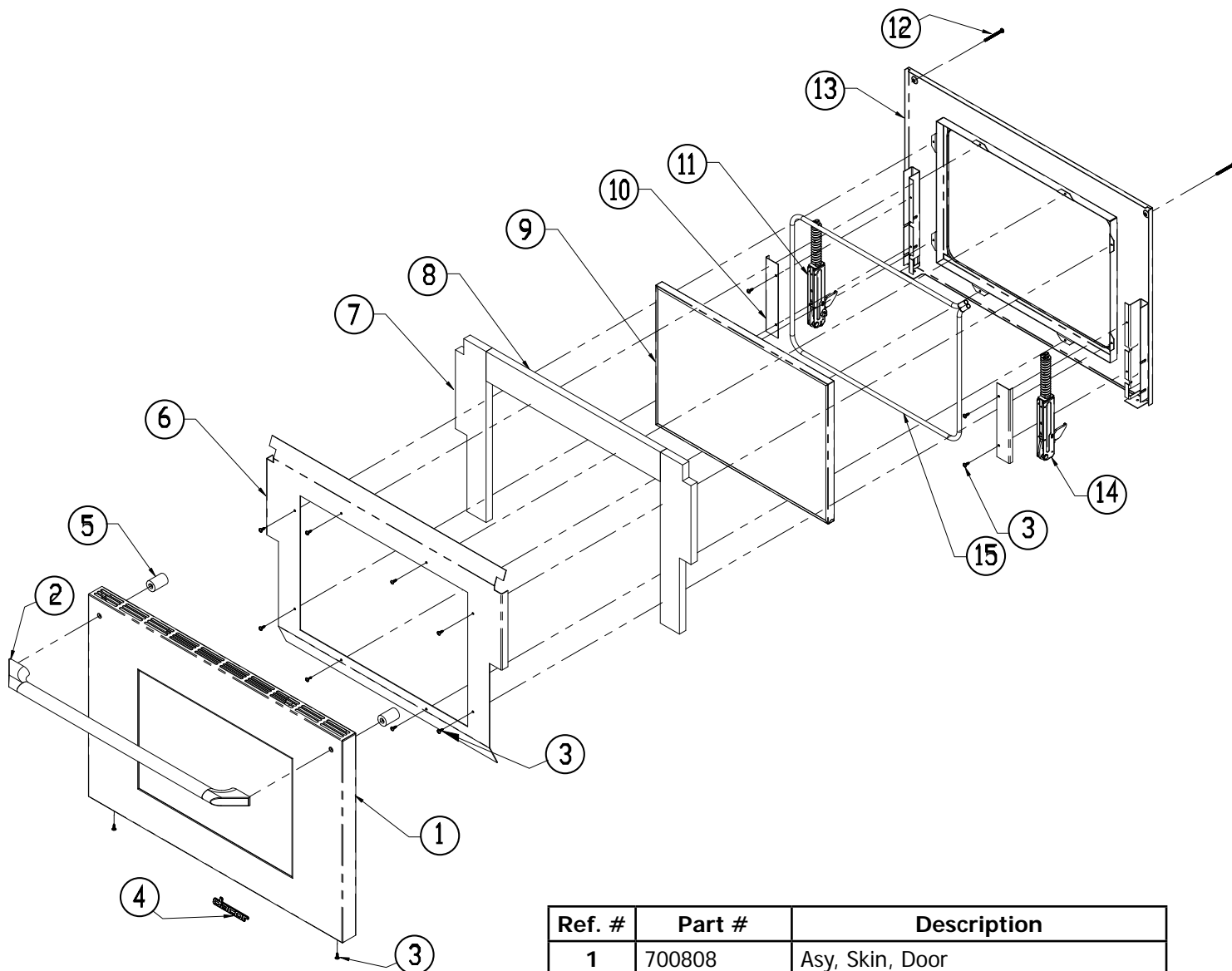
ER30G/GI Cell Assembly



Ref. #	Part #	Description
1	82230	Oven Rack
2	72752	Temperature Sensor
3	103555	Broil, Burner
4	82647	Convection Oven Motor
5	92398	Asy, Light, Halogen, 20W
6	72348	Receptacle, Hinge
7	100429	Bulb, Halogen, 20w
8	82473	Hot Surface Igniter
9	103563	Gasket, Cell
10	103662-02	Support, Rack, RH
11	103662-01	Support, Rack, LH

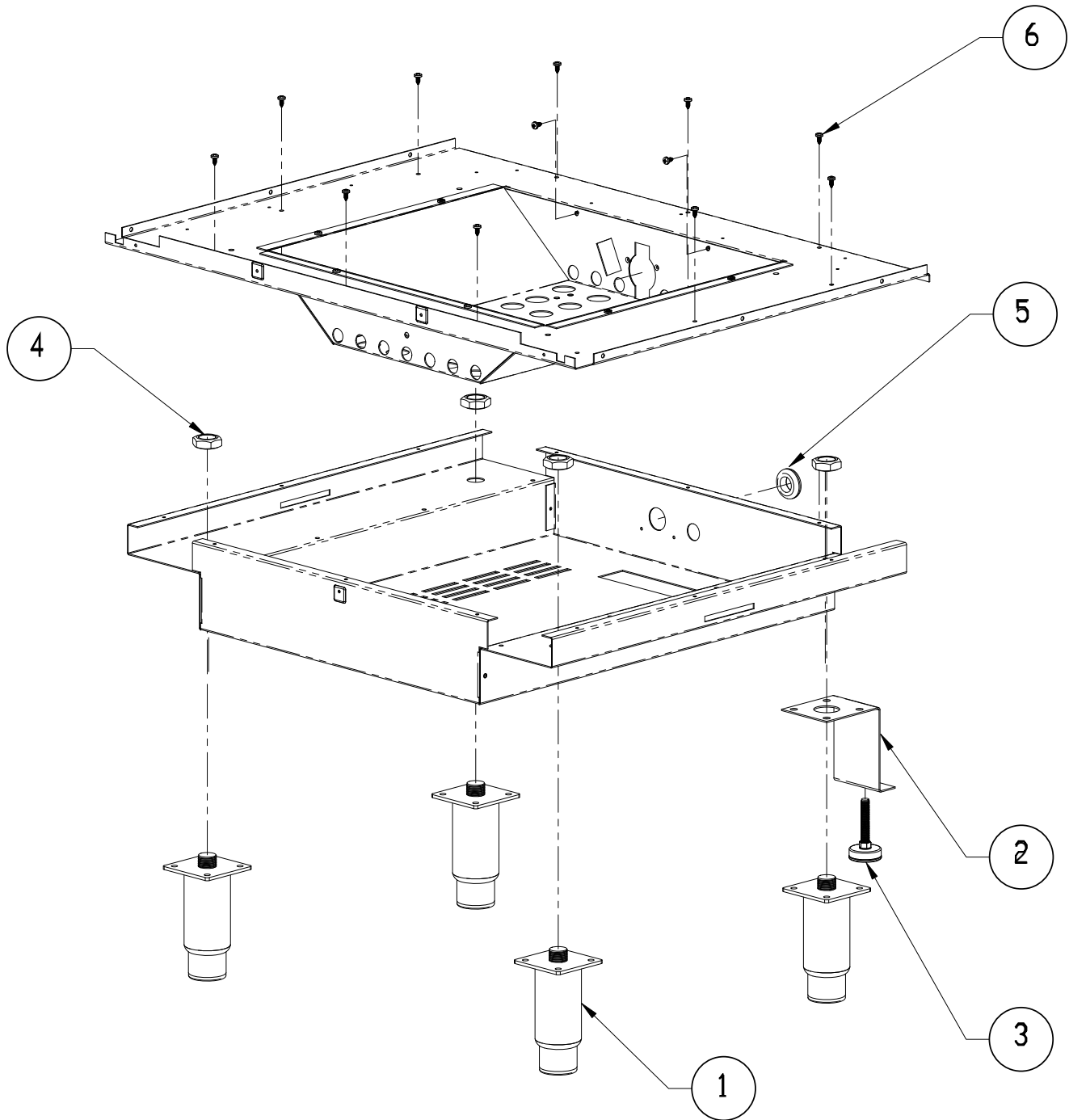
12	103558	Burner, Bake, Straight
13	106163BP	Convection Baffle
14	82891	Filter, Convection
15	103652	Deflector, Heat
16	103653BP	Pan, Oven
17	92391	Bushing, Support Rack
18	83618	Rubber Bumper
19	83619	Screw, Wfr Hd, #8 x 3/8", SS
20	83505	Screw, Phil Pan, #8 x 3/8"
21	83420	Screw, Btn. Hd, #10-32 x .500"
22	83432	Washer, Flat, .201ID x .375OD x .062

ER30G/GI Door Assembly



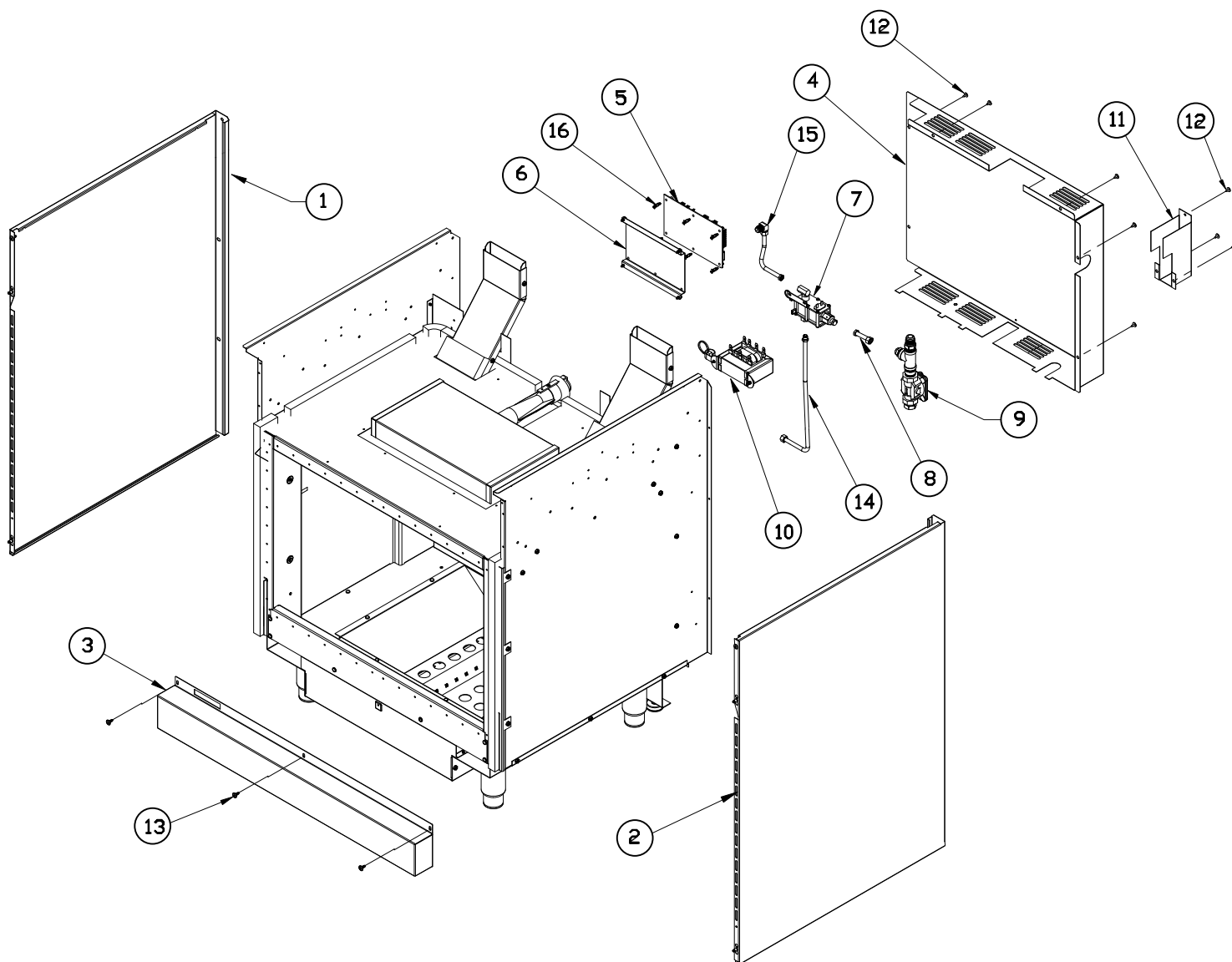
Ref. #	Part #	Description
1	700808	Asy, Skin, Door
2	700050	Asy, Handle, Large Door
3	83709	Screw, Washer HD, #8 x 1/2"
4	72511CH	Dacor Logo
5	72793	Spacer, Door Liner
6	102615B	Heat Shield
7	103766	Insulation, Door Side
8	102607	Insulation, Door Top
9	72967	Window Pack
10	N/A	Hinge Mounting Cover Bracket
11	100693	Door Hinge, LH
12	100026	Screw, Torx Pan HD, #10-32 x 2"
13	700809BP	Weld, Door Liner
14	100694	Door Hinge, RH
15	100157	Window Pack, Gasket

ER30G/GI Base Assembly



Ref #	Part #	Description
1	700000	Leg, New .500"
2	27274	Asy, Bracket, Anti-Tip
3	106440	Leveler, Adjustable
4	100730	Nut, Jam, Hex, #3/4-10
5	83058	Grommet, 1.31 OD x .69 ID x .38
6	83505	Screw, Type A, #8 x 3/8"

ER30G/GI Outer Parts



Ref. #	Part #	Description	Ref. #	Part #	Description
1	103656-01	Panel, Side, LH, ER30G	10	62808	Halogen Light Transformer
1*	106383-01	Panel, Side, LH, ER30GI	11	103694**	Igniter Wire Cover**
2	103656-02	Panel, Side, RH, ER30G	12	83263	Screw, Phil Wafer, #8 x 3/8"
2*	106383-02	Panel, Side, RH, ER30GI	13	83708	Screw, Trx Wfr Hd, #8 x 1/2"
3	700932	Asy, Kick Panel	14	103663-03	Flex Tube, Bake/Broil, 19"
4	102612 ¹	Rear, Cover ¹	15	103663-02	Flex Tube, Bake/Broil, 8"
5	See Note ²	Controller Service Kit ²	16	83538	PCB Support, Nylon
6	N/A	Bracket, Controller Board	-	106491	Wire Harness, RTD (Not Shown)
7	103659	Thermal Dual Valve	-	106628	Wire Harness, Main (Not Shown)
8	103663-01	Flex Tube, Bake/Broil, 3"	-	103698-02	Wire Hanress, Cooktop (Not Shown)
9	103660-01	Asy, Regulator, NG	-	106618	Wire Hanress, LED/Oven Crtl. (Not Shown)
9*	103660-02	Asy, Regulator, LP	¹ Use with Rev. A models. Use 106380(Rear Cover) & 106381(Igniter Cover) for Rev. B models and above.		
² Click note for details on Controller Kit.					

