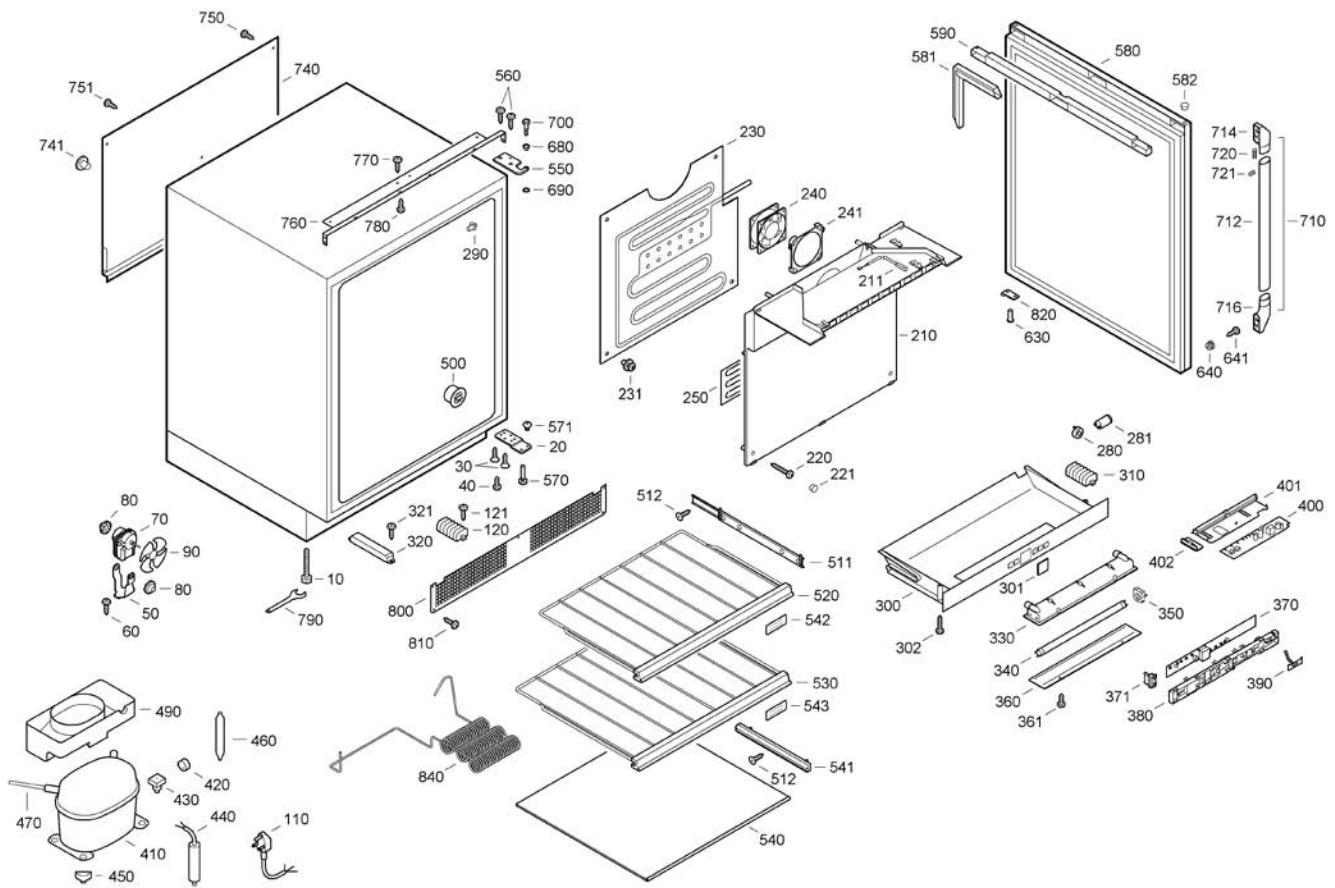


Section 12 - Parts Breakdown



RIGHT HAND HINGE

PARTS BREAKDOWN

Right Hand Hinge

Pos. #	Dacor #	Description
10	101763	Screw, adj, M10x80
20	101805	Hinge plate
30	101753	Screw, M5x16 phil hd, countersunk
40	101754	Screw, special 5x13 B3 ST
50	101863	Ventilation frame attachment
60	101755	Screw, thread-cutting, phil hd
70	101791	Compact fan
80	101815	Buffer, fan
90	101794	Fan blade
110	101865	Supply line
120	101776	Distributor strip
121	101750	Screw, oval hd, self tap 3.9x22
210	101841	Plate, back partition
211	101802	Air sensor for refrig. Compartment
220	101769	Screw, oval hd, wood UKS/KS3610
221	101840	Plug, water drain
230	101770	Evaporator-freezing
231	101825	Evaporator fixture
240	101783	Compact fan
241	101817	Ventilator absorber
280	101782	Starter socket
281	101781	Starter 110V
290	101820	Stop, perf. metal plate
300	101864	Operating panel housing
301	101848	Display trilm
302	101769	Screw, oval hd, wood UKS/KS3610
310	101776	Distributor strip
320	101779	Ballast units 120V 60Hz
321	101766	Screw, special wood, B3 5x9 5 A2M phil hd
330	101831	Cover, light
340	101777	Fluorescent tube 8W L8W.25 universal white
350	101780	Lamp holder
360	101833	Cover, light
361	101758	Screw, oval hd, self tap B 3.5x9.5 phil hd
370	101786	Power board
371	101829	Bracket, sensor retaining
380	101827	Bracket, board
390	101789	Reed board

EF24 SERVICE MANUAL

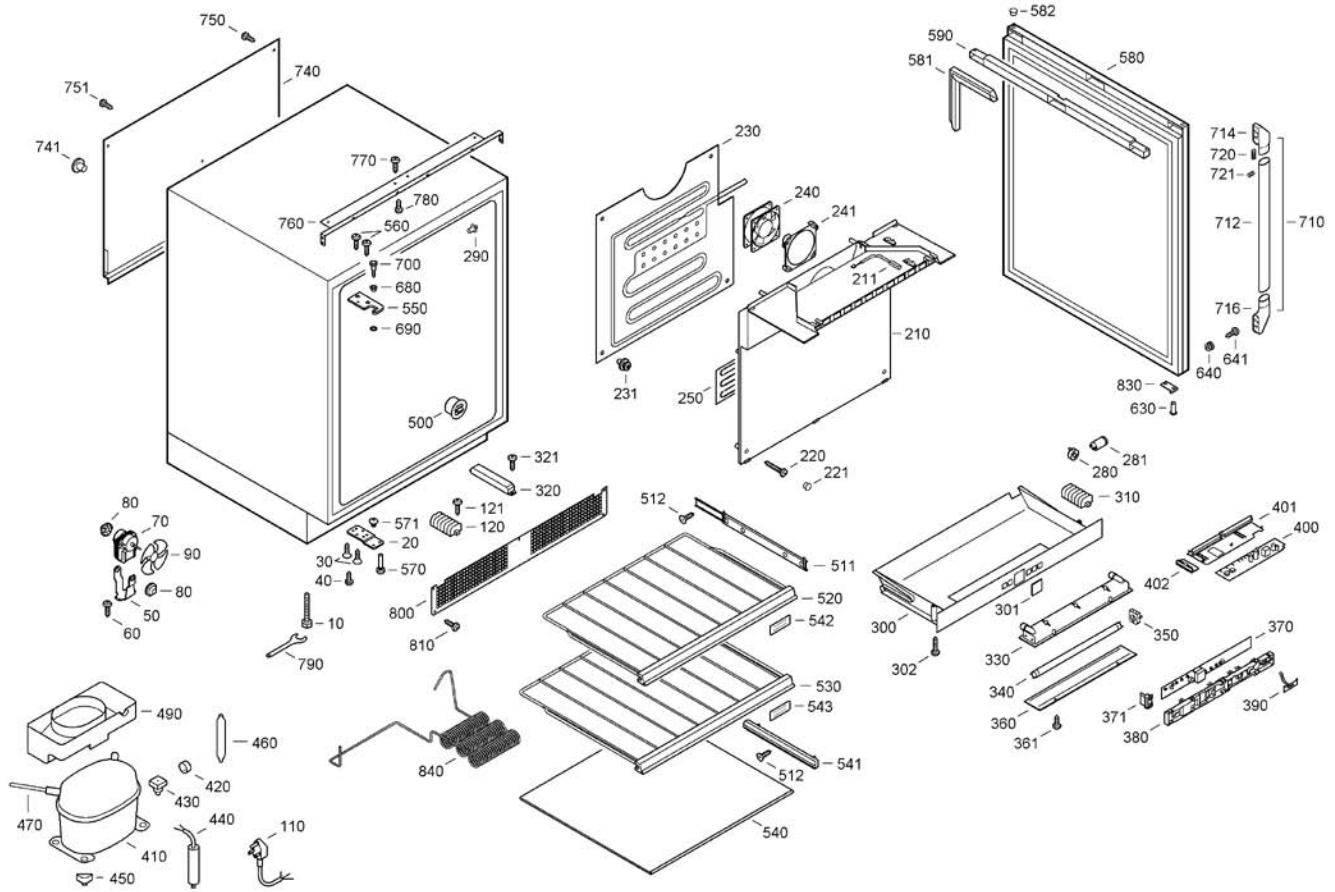
Right Hand Hinge (continued)

Pos. #	Dacor #	Description
400	101785	Power board
401	101828	Bracket, board
402	101832	Bracket, board
410	101792	Compressor R 134 a
420	101801	Safety temperature limiter
430	101798	Relay 115V
440	101796	Capacitor 220V 64-77mf
450	101821	Clip, compressor
460	101773	Dryer 6.5G XH7
470	101846	Pipe, compressor 6x130
490	101819	Evaporator trays
500	101844	Charcoal filter
511	101856	Rack glide
512	101767	Screw, oval hd, wood 4x14F GS
520	101861	Grid shelf
530	101862	Grid shelf
540	101818	Glass plate-complete
541	101838	Fastener, retaining
550	101807	Hinge plate
560	101753	Screw, M5x16 phil hd, countersunk
570	101812	Bolt, door hinge
571	101759	Screw M6x8
580	101867	Glass door-complete
581	101811	Gasket, magnetic
582	101824	Plug, door
590	101834	Door extension
630	101748	Sleeve, upper, hinge bolt
640	101850	Bushing
641	101749	Screw, M6x20 D912 Hex socket
680	101747	Sleeve, hinge plate
690	101855	Washer, door hinge, 10x6 2x1,0
700	101762	Screw, oval hd, hinge bolt
740	101852	Plate, back cover
750	101768	Screw, hex hd, self tap 3.9x9.5 D7976
751	101756	Screw, PT 4x19 A2E
760	101854	Cross-tie, middle, unpainted
770	101755	Screw, thread-cutting, phil hd
780	101757	Screw, oval hd, wood, 3.9x14 A3E

PARTS BREAKDOWN

Right Hand Hinge (continued)

Pos. #	Dacor #	Description
790	101808	Wrench, open end
800	101851	Cover panel
810	101765	Screw B3.9x13
820	101806	Hinge bushing
840	101772	Plasticizer



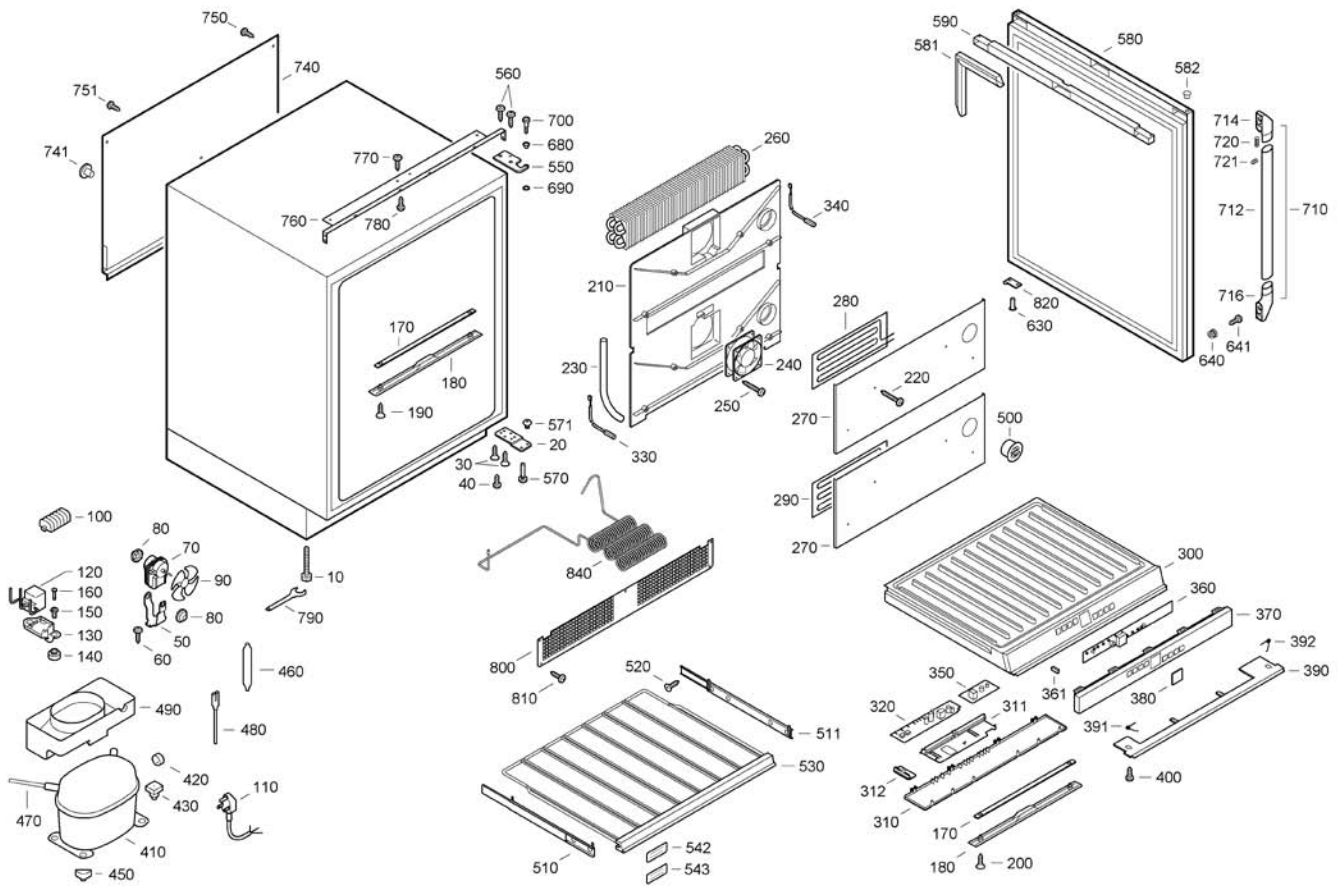
LEFT HAND HINGE

PARTS BREAKDOWN

Left Hand Hinge (continued)

Pos. #	Dacor #	Description

EF24 Service Manual SERVICE MANUAL



DUAL SYSTEM

PARTS BREAKDOWN

Dual System

Pos. #	Dacor #	Description
10	101763	Screw, adj, M10x80
20	101805	Hinge plate
30	101753	Screw, M5x16 phil hd, countersunk
40	101754	Screw, special 5x13 B3 ST
50	101863	Ventilation frame attachment
60	101755	Screw, thread-cutting, phil hd
70	101784	Compact fan
80	101815	Buffer, fan
90	101795	Fan blade
100	101776	Distributor strip
110	101775	Supply line
120	101866	Solenoid valve 110V
130	101826	Bracket, solenoid valve
140	101816	Rubber buffer
150	101822	Bracket, compressor, mounting
160	101823	Pin, compressor mounting
170	101778	Interior light
180	101835	Cover, light
190	101752	Screw, phil hd, countersunk, self tap
200	101760	Screw, PT 3.5x17
210	101830	Plate
220	101764	Screw, oval hd, wood 4x90-C-T15 A2-70
230	101869	Hose, evaporator drain
240	101783	Compact fan
250	101751	Screw, oval hd, self tap 3.9x50 D7981 A/2
260	101771	Fin type evaporator
270	101853	Plate, perforated metal, finished
280	101800	Alum. Heating strip 115V 50/60Hz
290	101799	Alum. Heating strip 115V 50/60Hz
300	101836	Crosspiece for comb. doors
310	101839	Cover, power board
311	101842	Bracket, board
312	101832	Bracket, board
320	101788	Power board
330	101804	Evaporator sensor for refrig.
340	101803	Air sensor for refrig. compartment
350	101790	Power board
360	101787	Power board

EF24 Service Manual

Dual System (continued)

Pos. #	Dacor #	Description
361	101845	Magnetic strip
370	101843	Front trim
380	101849	Display trim
390	101837	Strip
391	101814	Spring, left
392	101813	Spring, right
400	101761	Screw, oval hd, self tap 4x43-F-T15 A3K
410	101793	Compressor R 290
420	101797	Safety temperature limiter
430	101798	Relay 115V
450	101821	Clip, compressor
460	101774	Dryer 10ER pack M.AUSG.4mm
470	101846	Pipe, compressor 6x130
480	101847	Pipe, coupler
490	101868	Evaporation dish sheet
500	101844	Charcoal filter
510	101858	Drawer rail
511	101857	Rack glide
520	101767	Screw, oval hd, wood 4x14F GS
530	101860	Grid shelf
550	101807	Hinge plate
560	101753	Screw, M5x16 phil hd, countersunk
570	101812	Bolt, door hinge
571	101759	Screw M6x8
580	101867	Glass door, complete
581	101811	Gasket, magnetic
590	101834	Door extension
630	101748	Sleeve, upper, hinge bolt
640	101850	Bushing
641	101749	Screw, M6x20 D912 Hex socket
680	101747	Sleeve, hinge plate
690	101855	Washer, door hinge, 10x6, 2x1,0
700	101762	Screw, oval hd, hinge bolt
740	101852	Plate, back cover
750	101768	Screw, hex hd, self tap 3.9x9.5 D7976
751	101756	Screw, PT 4x19 A2E
760	101859	Plate, ventilation
770	101755	Screw, thread-cutting, phil hd

PARTS BREAKDOWN

Dual System (continued)

Pos. #	Dacor #	Description
780	101757	Screw, oval hd, wood, 3.9x14 A3E
790	101808	Wrench, open end
800	101851	Cover panel
810	101765	Screw B3.9x13
820	101806	Hinge bushing
840	101772	Plasticizer