

dacor®

The Life of the Kitchen.®

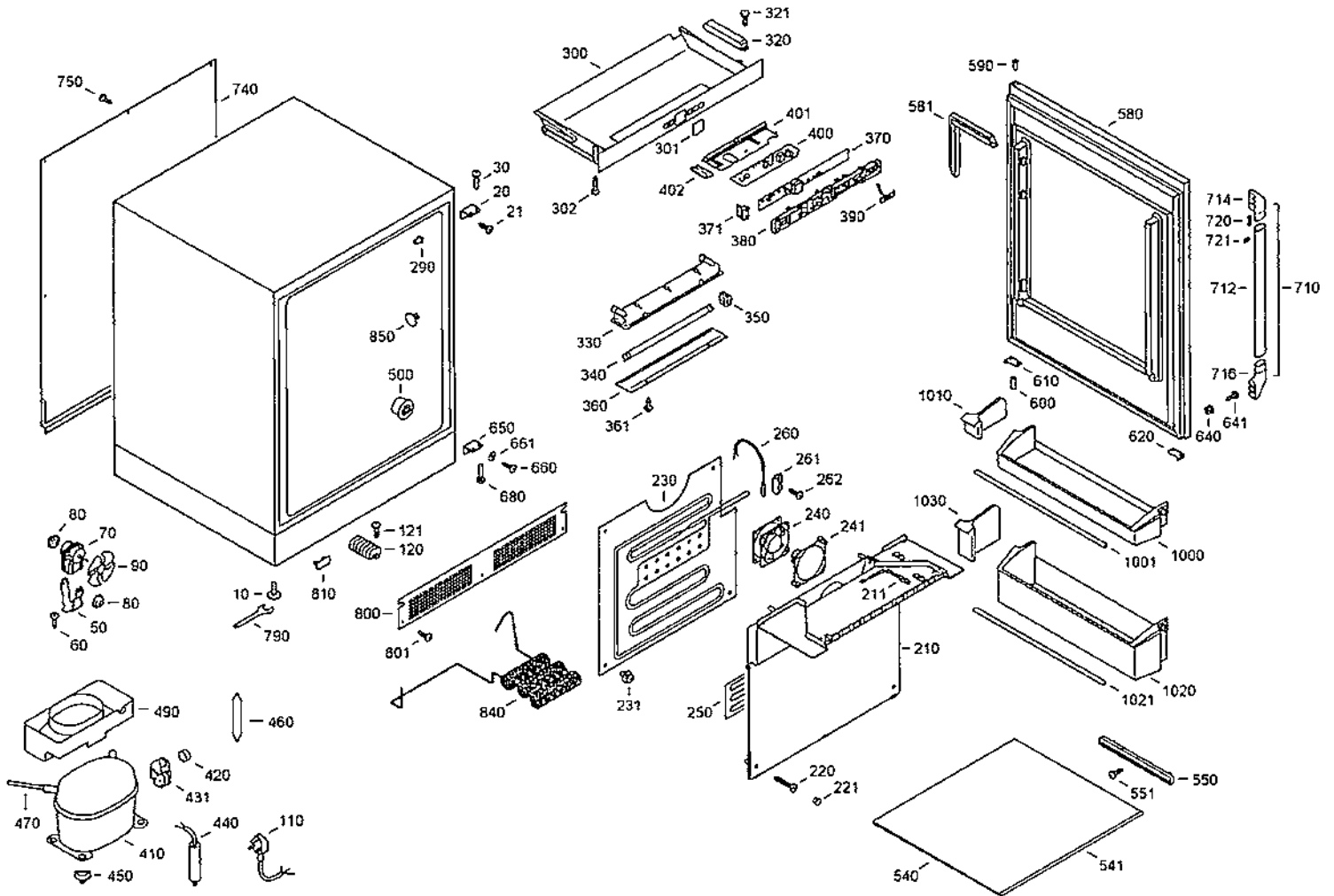
PARTS CATALOG

OF24

Page #	Sheet Title
1	OF24 Assembly
2	OF24 Parts (Page 1)
3	OF24 Parts (Page 2)

Revised 08-11-2011

OF24 Assembly



Ref #	Description	Dacor Part #
10	Adjusting Screw (Leg)	106113
20	Steel Bearing Block (Bracket)	106114
21	Oval-Head Screw (6x15)	106115
30	Bolt	101812
50	Special Securing Hardware (Fan Bracket)	101863
60	Thread-Cutting Screw (Fan Bracket)	101755
70	Compact Fan	106116
80	Buffer, Fan	101815
90	Fan Blade	101794
110	Power Cord	106117
120	Distributor Strip	101776
121	Oval-Head Self-Tapping Screw (3.9x19)	106118

Ref #	Description	Dacor Part #
210	Various Plates (Back Partition Plate)	101841
211	Air Sensor for Refrigerator Compartment	101803
220	Oval-Head Wood Screw	101769
221	Plug	101840
230	Evaporator - Freezing	106119
231	Evaporator Fixture	101825
240	Compact Fan	106120
241	Special Securing Hardware (Ventilator)	101817
250	Alum. Heating Strip (115v, 30w)	106121
260	Evaporator Sensor For Refrigerator	101802
261	Sensor Retaining Fixture	106122
262	Oval-Head Self-Tapping Screw (3.5x9.5)	106123
290	Stop (Pref. Metal Plate)	101820
300	Operating Panel Housing	106124
301	Display Trim	101848
302	Oval-Head Wood Screw	101769
320	Ballast Units (120v, 60Hz)	N/A
321	Special Wood Screw (B 3.5x9 A2M)	101766
330	Fluorescent Lamp Housing	N/A
340	Fluorescent Tubes	101777
350	Lamp Holder	101780
360	Cover, Fluorescent Lamp	101833
361	Oval-Head Self-Tapping Screw (3.5x9.5)	101758
370	Power Board	106125
371	Sensor Retaining Fixture	101829
380	Various Retaining Fixtures (Bracket, Board)	101827
390	Reed Board	101789
400	Power Board	106126
400*	Power Board w/ Amb Temp Sensor*	106415*
-	Amb. Temperature Sensor (Not Shown)	106192
401	Various Retaining Fixtures (Bracket, Board)	101842
402	Various Retaining Fixtures (Bracket, Board)	101832
410	Compressor R (134a, 115v, 60Hz)	106127
420	Safety Temperature Limiter (For Compressor)	106128
431	Relay, Compressor	106129
440	Capacitor (250v, 12mf)	106130
450	Special Securing Hardware (Compressor Clip)	101821
460	Dryer	106131
470	Pipe, Compressor 6x130	101846
490	Evaporator Trays	106132
* TBA		



Ref #	Description	Dacor Part #
500	Charcoal Filter	101844
540	Glass Plate - Complete	106133
541	Trim Strip Profile (for glass plate)	106134
550	Fastening (Fastener, Retaining)	101838
551	Oval-Head Wood Screw (4x14 FGS)	101767
580A	Door, Cavity-Foamed, LT	106135
580B	Door, Cavity-Foamed, RT	106905
581	Gasket Exchangeable (Door Gasket, Magnetic)	106136
590	Bushing, Upper Door	106137
600	Sleeve, Upper, Hinge Bolt	101748
620	Bushing, Door Hinge	102134
640	Bushing, Door	101850
641	Counter-Sunk Screw	N/A
650	Bearing Block (Bracket)	106138
660	Oval-Head Screw (6 x 15)	106115
661	Washer, Door Hinge (10 x 6.2 x 1.0)	101855
680	Bolt (Door)	101812
710	Moulded Handle (Handle/Support Asy.)	N/A
712	Moulded Handle (Handle Tube)	76052
714	Moulded Handle (Upper Hndl Support)	N/A
716	Moulded Handle (Lower Hndl Support)	N/A
720	Oval-Head Screw	102131
740	Rear Panel	106140
750	Oval-Head Self-Tapping Screw (3.9x13)	106141
790	Key (Open End Wrench)	106142
800	Cover Panel	106143
801	Screw in Acc. w/ Drawing	101765
810	Cover Plate	106144
840	Condenser Spiral	101772
850	Cover For Drill Hole (Plug)	106145
1000	Storage Rack, Studded, Shallow	106146
1001	Trim Strip Profiles, Storage Rack, Shallow	106147
1010	Various Retaining Fixtures (Brackets, Shallow)	106148
1020	Storage Rack, Studded, Deep	106149
1021	Trim Strip Profile, Storage Rack, Deep	106147
1030	Various Retaining Fixtures (Brackets, Deep)	106150