

The Dacor logo is rendered in a bold, italicized, sans-serif font with a metallic, 3D effect. The letters are dark with a lighter, reflective highlight on the top and left sides, giving it a sleek, modern appearance.

The Life of the Kitchen.®

The background of the page is a faded, grayscale image of a kitchen. It features a white gas range with a white bowl on the cooktop, a white oven below, and various kitchen items like a coffee maker, a bottle of oil, and a basket of fruit on the countertop. The overall tone is clean and professional.

# PARTS CATALOG

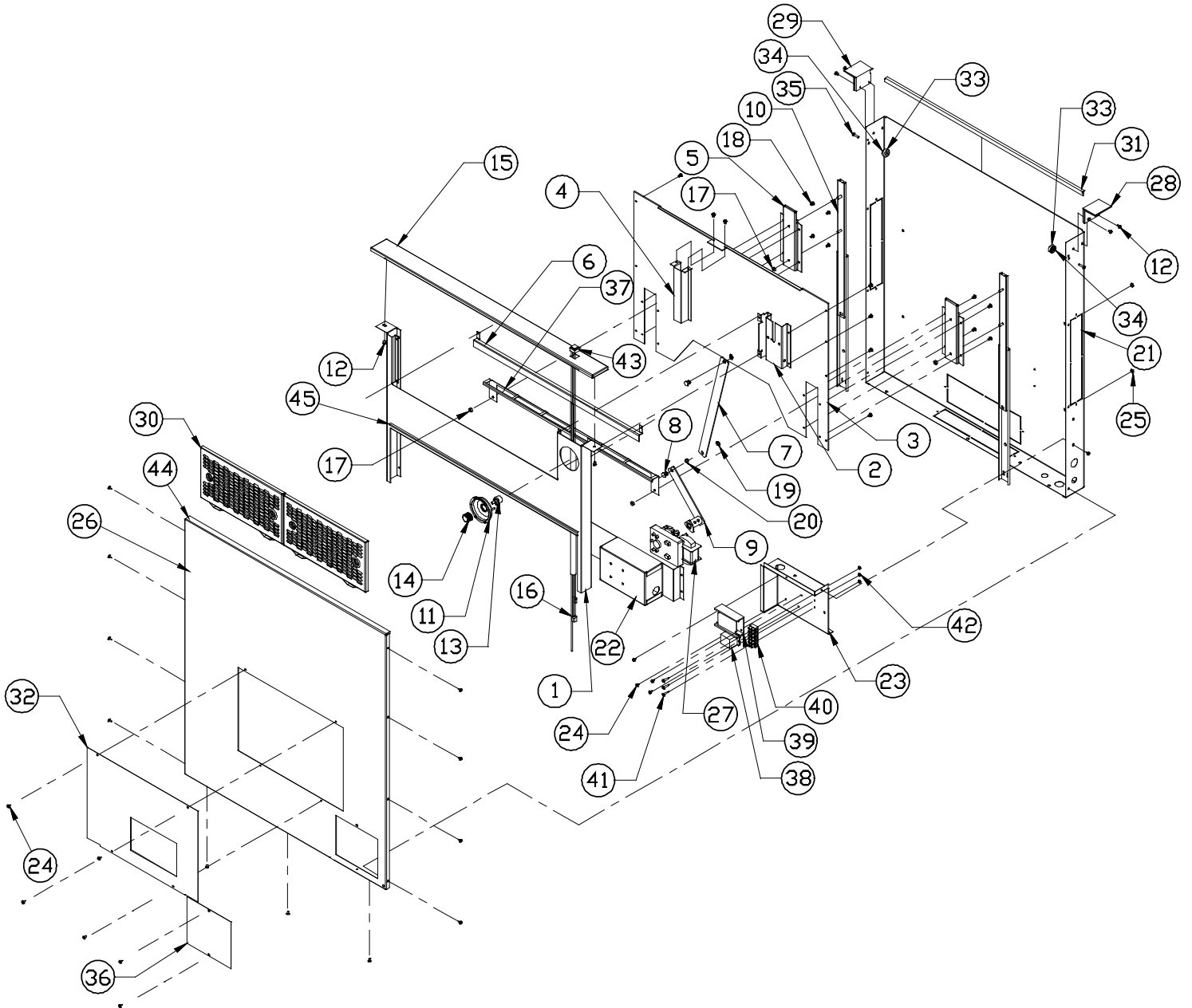
## ERV/PRV Series Raised Vents

**NOTE:** This cross reference does not include model numbers ending with "15" or ending with "ER".

<b>Page #</b>	<b>Description</b>
<b>2</b>	<b>Assembly Drawing</b>
<b>3</b>	<b>Part Numbers</b>

Revised 03-21-2012

# ERV/PRV Raised Vent Assembly Drawing



# ERV/PRV Raised Vent Part Numbers

Item	Part # ERV/PRV30	Part # ERV/PRV36	Part # ERV48, PRV46	Description
1	701218	701220	701219	Weld, Sleeve Front
2	36366	36366	36366	Pot-Bezel Bracket
3	36863	36868	36874	Sleeve, Rear Panel
4	36873	36873	36873	Filter Support
5	26628	26628	26628	Slide Mounting Bracket
6	36889	36887	13797	Assy, Spring Bracket
7	72520	72520	72520	Raise Arm
8	82243	82243	82243	Drive Arm Stud
9	72521	72521	72521	Drive Arm
10	72522	72522	72522	Raise Vent Slide
11	72525	72525	72525	Bezel, Slim Line
12	83007	83007	83007	Screw, Phil, #8-32 x 1/4"
13	100972 <sup>1</sup>	100972 <sup>1</sup>	100972 <sup>1</sup>	Pot Harness Kit, Service
14	72524	72524	72524	Knob, Slim Line
15	See Top Cap Table.			Top Cap
16	72523	72523	72523	Wire Harness
17	83048	83048	83048	Nut, #8-24
18	83652	83652	83652	Rivet, 1/8" x 1/4L
19	83173	83173	83173	C-Clip
20	83187	83187	83187	Spring Washer
21	27803	27811	27812	Rear Plenum
22	27819	27819	27819	Motor Box
23	38374	38374	38374	Electric Box
24	83001	83001	83001	Screw, Pan HD, #8-32 x 1/4"
25	83048	83048	83048	Nut, #8-32 Keps
26	27805	27817	27818	Plenum Front
27	701336	701336	701336	Assy, Drive Motor/Switch
28	72547	72547	72545 <sup>9</sup>	Plenum Angle, Right
29	72548	72548	72546 <sup>10</sup>	Plenum Angle, Left
30	72582	72584	72583	Filter Grill
31	82746	82747	82748	Plenum Trim
32	36886	36886	36886	Drive Motor Access Panel
33	72653	72653	72653	Nylon Roller
34	72319	72319	72319	Nylon Spacer
35	83408	83408	83408	Screw, Phil Pan, #8-32 x 3/4"
36	26620	26620	26620	Electric Box Cover
37	82182	82183	82184	Filter Retaining Bracket
38	72549 <sup>2</sup>	72549 <sup>3</sup>	72549 <sup>4</sup>	Relay
39	701008 <sup>5</sup>	701008 <sup>5</sup>	701008 <sup>5</sup>	AC Phase Control
40	102352	102352	102352	Terminal Strip
41	83530	83530	83530	Screw, Phil Pan, #4-40 x 5/8"
42	83531	83531	83531	Nut, #4-40 Keps
43	100971 <sup>6</sup>	100971 <sup>7</sup>	100971 <sup>8</sup>	Switch Harness Kit
44	62232	62233	62234	Counter Seal
45	92310-004	92310-005	92310-006	Foam Gasket

Items NOT Shown	
Part #	Description
36861	Support Leg, Left
36862	Support Leg, Right
83048	Nut, Hex Keps, #8-32
83203	Washer, 1/4-20 Flat
13768	Assy, Transition Duct

Top Cap Table	
Model	Part #
ERV30	38375
ERV36	38376
ERV48	27814
PRV30B	72568B
PRV30R	72568R
PRV30S	72568S
PRV36B	72569B
PRV36R	72569R
PRV36S	72569S
PRV46B	72570B
PRV46R	72570R
PRV46S	72570S

<sup>1</sup> Consists of snorkel switch and harness, potentiometer and harness
<sup>2</sup> Use P/N 92344 for ERV30/36 after Rev. G
<sup>3</sup> Use P/N 92344 for ERV48 after Rev. H
<sup>4</sup> Use P/N 92344 for PRV30/36/46 after Rev. E
<sup>5</sup> Consists of harness, potentiometer and AC phase control
<sup>6</sup> Use P/N 76472 for ERV30/36 after Rev. G
<sup>7</sup> Use P/N 76472 for ERV48 after Rev. H
<sup>8</sup> Use P/N 76472 for PRV30/36/46 after Rev. E
<sup>9</sup> Use P/N 72547 for PRV46
<sup>10</sup> Use P/N 72548 for PRV46