

The Dacor logo is rendered in a bold, italicized, sans-serif font with a metallic, 3D effect. The letters are dark with a lighter, reflective highlight on the top and left sides, giving it a sleek, modern appearance.

The Life of the Kitchen.®

A faded background image of a Dacor kitchen range with a white bowl on the cooktop. The words "PARTS CATALOG" are overlaid in large, semi-transparent, 3D block letters.

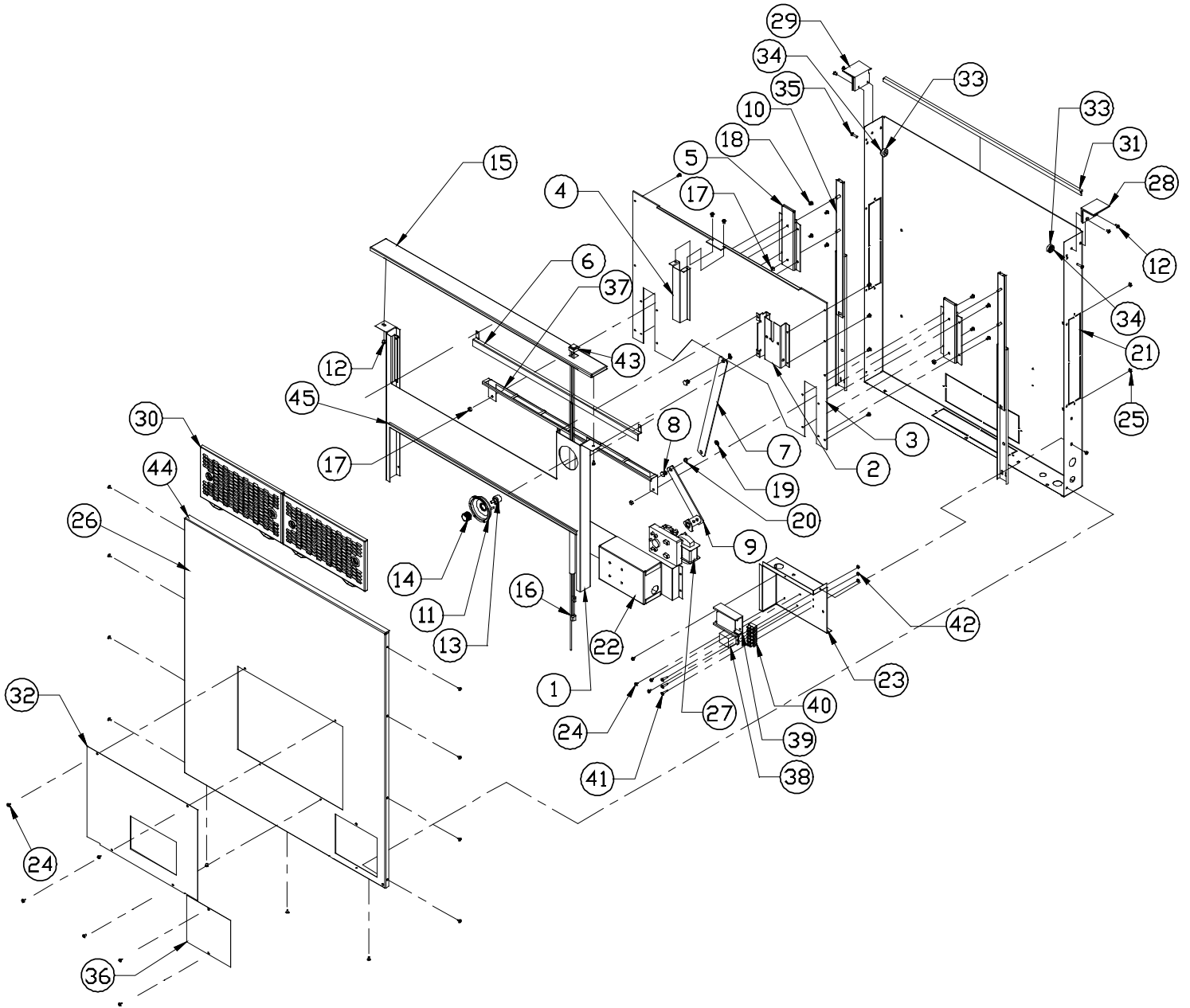
**PARTS  
CATALOG**

## **ERV36-ER, ERV48-ER Raised Vents**

<b>Page #</b>	<b>Description</b>
<b>2</b>	<b>Assembly Drawing</b>
<b>3</b>	<b>Part Numbers</b>

Revised 11-15-2011

# ERV36-ER, ERV48-ER Assembly Drawing



# ERV36-ER, ERV48-ER Part Numbers

Item #	Part # ERV36-ER	Part # ERV48-ER	Description
1	701220	701219	Weld, Sleeve Front
2	36366	36366	Pot-Bezel Bracket
3	36868	36874	Sleeve, Rear Panel
4	36873	36873	Filter Support
5	26628	26628	Slide Mounting Bracket
6	36887	13797	Assy, Spring Bracket
7	72520	72520	Raise Arm
8	82243	82243	Drive Arm Stud
9	72521	72521	Drive Arm
10	72522	72522	Raise Vent Slide
11	72525	72525	Bezel, Slim Line
12	83007	83007	Screw, Phil, #8-32 x 1/4"
13	100972*	100972*	Pot Harness Kit*
14	72524	72524	Knob, Slim Line
15	700833	700840	Top Cap
16	72523-10	72523-10	Wire Harness
17	83048	83048	Nut, #8-24
18	83652	83652	Rivet, 1/8" x 1/4L
19	83173	83173	C-Clip
20	83187	83187	Spring Washer
21	27811	27812	Rear Plenum
22	27819	27819	Motor Box
23	38374	38374	Electric Box
24	83001	83001	Screw, Pan HD, #8-32 x 1/4"
25	83048	83048	Nut, #8-32 Keps
26	27817	27818	Plenum Front
27	701336	701336	Assy, Drive Motor/Switch
28	102583-02	102886-02	Plenum Angle, Right
29	102583-01	102886-01	Plenum Angle, Left
30	72584	72583	Filter Grill

Item #	Part # ERV36-ER	Part # ERV48-ER	Description
31	82747	82748	Plenum Trim
32	36886	36886	Drive Motor Access Panel
33	72653	72653	Nylon Roller
34	72319	72319	Nylon Spacer
35	83408	83408	Screw, Phil Pan, #8-32 x 3/4"
36	26620	26620	Electric Box Cover
37	82183	82184	Filter Retaining Bracket
38	92344	92344	Relay
39	701008**	701008**	AC Phase Control Kit**
40	102352	102352	Terminal Strip
41	83530	83530	Screw, Phil Pan, #4-40 x 5/8"
42	83531	83531	Nut, #4-40 Keps
43	76472	76472	Switch Harness Kit
44	62233	62234	Counter Seal
45	92310-005	92310-006	Foam Gasket

\*\* Consists of snorkel switch and harness, potentiometer and harness, AC phase control

Items NOT Shown	
Part #	Description
36861	Support Leg, Left
36862	Support Leg, Right
83048	Nut, Hex Keps, #8-32
83203	Washer, 1/4-20 Flat
13768	Assy, Transition Duct

\* Consists of snorkel switch and harness, potentiometer and harness