



The Life of the Kitchen.®



RVR Series Raised Vents

IMPORTANT: This product may have some parts that are **No Longer Available (NLA)**. If the part you need is no longer available, please contact Dacor for a possible solution:

DACOR CARES PROGRAM NLA Part Locator Service

Customer Contact Number:

(800) 793-0093 ex. 2813
Hours: 6:00 AM - 5:00 PM Pacific Time

Service Agent/Technician Contact Number:

(800) 793-0093 ex. 3814
Hours: 7:00 AM - 4:00 PM Pacific Time

Web Inquiries: www.dacor.com/dacorcares **Email Inquiries:** dacorcares@dacor.com

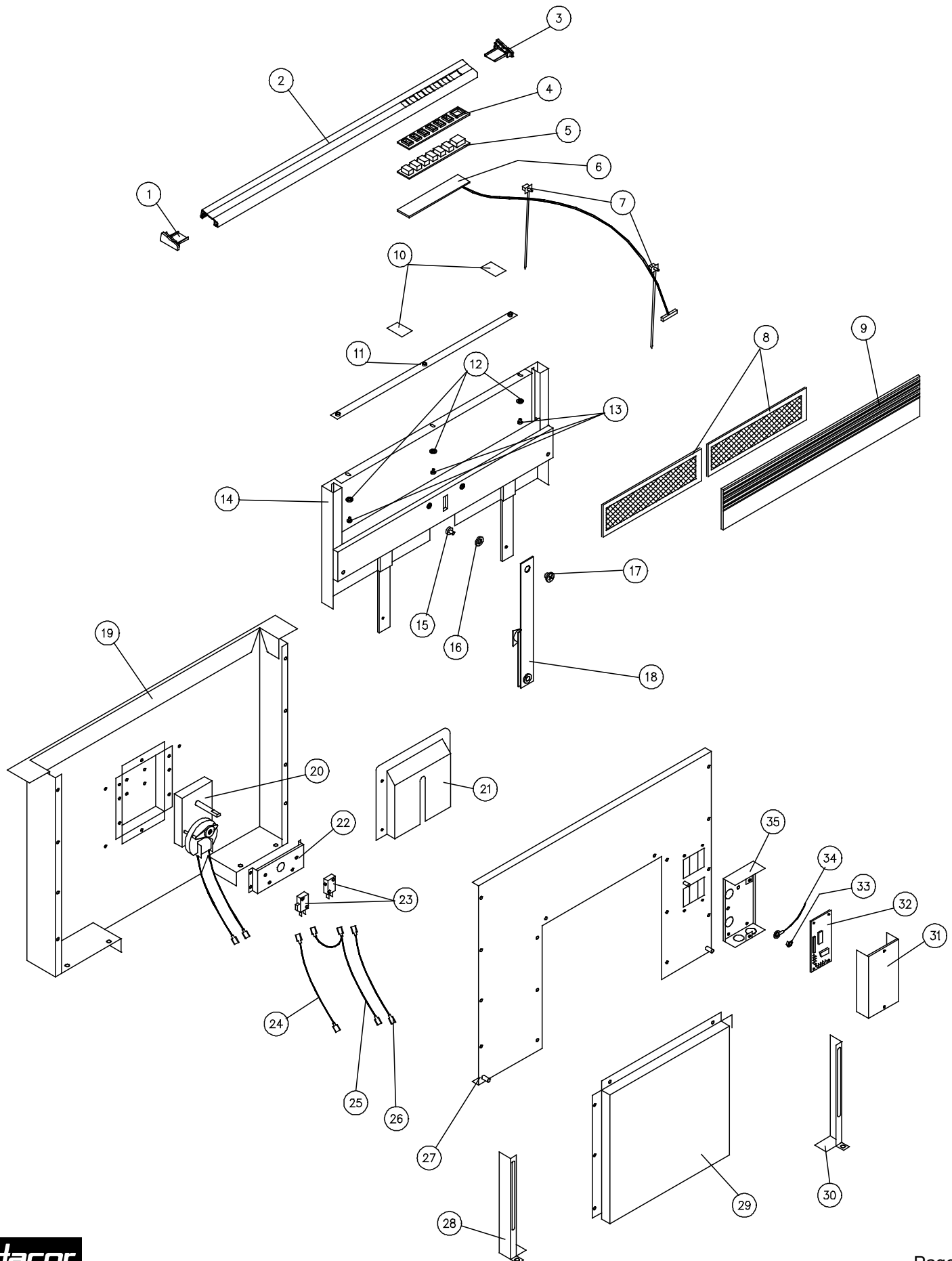
Please provide the following information:

- Your name and phone number
- Product model number
- Product serial number
- The part number(s) you need

Page #	Description
2-3	RVR Assembly

Revised 10-05-2011

RVR Raised Vent Assembly



RVR Raised Vent Assembly

Item	Part #	Description
1	82708A, B, W	LEFT END CAP
2	82705AS, BS, WS	TOP CAP, 30" VENT
	82706AS, BS, WS	TOP CAP, 36" VENT
	82707AS, BS, WS	TOP CAP, 46" VENT
3	82709A, B, W	RIGHT END CAP
4	82710A, B, W	KEYPAD BEZEL
5	82711	KEYPAD
6	86347	CIRCUIT BOARD
7	83038	CABLE TIE
8	82766	FILTER, 30" VENT
	82767	FILTER, 36" VENT
	82768	FILTER, 46" VENT
9	82702	GRILL, 30" VENT
	82703	GRILL, 36" VENT
	82704	GRILL, 46" VENT
10	26516	CIRCUIT BOARD RETAINER
11	13227	TOP CAP RETAINING PLATE, 30" VENT
	13228	TOP CAP RETAINING PLATE, 36" VENT
	13229	TOP CAP RETAINING PLATE, 46" VENT
12	83008	#10 SAE WASHER
13	83532	SCREW, 8-32 X 1/4
14	86320	SLEEVE ASSEMBLY, 30" VENT
	86321	SLEEVE ASSEMBLY, 36" VENT
	86322	SLEEVE ASSEMBLY, 46" VENT

Item	Part #	Description
15	82723	UPPER ARM BUSHING
16	82726	UPPER BUSHING SPACER
17	83017	10-24 X 1/4 PHIL TRS
18	86323	SLEEVE DRIVE ARM ASSEMBLY
19	27375	REAR PLENUM ASSEMBLY, 30" VENT
	27376	REAR PLENUM ASSEMBLY, 36" VENT
	27377	REAR PLENUM ASSEMBLY, 46" VENT
20	13226	SLEEVE DRIVE MOTOR ASSEMBLY
21	82725	DRIVE MOTOR COVER
22	26502	LIMIT SWITCH MOUNTING BRACKET
23	82713	LIMIT SWITCH
24	14362	UPPER LIMIT SWITCH WIRE, RED
25	14363	LIMIT SWITCH COMMON, WHITE
26	14361	DOWN LIMIT SWITCH WIRE, BLUE
27	27384	PLENUM COVER WELDMENT, 30" VENT
	27385	PLENUM COVER WELDMENT, 36" VENT
	27386	PLENUM COVER WELDMENT, 46" VENT
28	26524	RVR VENT SUPPORT LEG, LEFT
29	26513	DUCT ADAPTOR PLATE
30	26523	RVR VENT SUPPORT LEG, RIGHT
31	26500	ELECTRONICS BOX COVER
32	86100	ELECTRONIC CONTROL
33	83009	10-24 KEPS NUT
34	12085	GROUND WIRE ASSEMBLY, GREEN
35	26501	ELECTRONICS BOX
-	83049	1/4 KEPS NUT FOR SUPPORT LEG ATTACHMENT

Part no longer available? Call Dacor: (800) 793-0093 ex. 3814