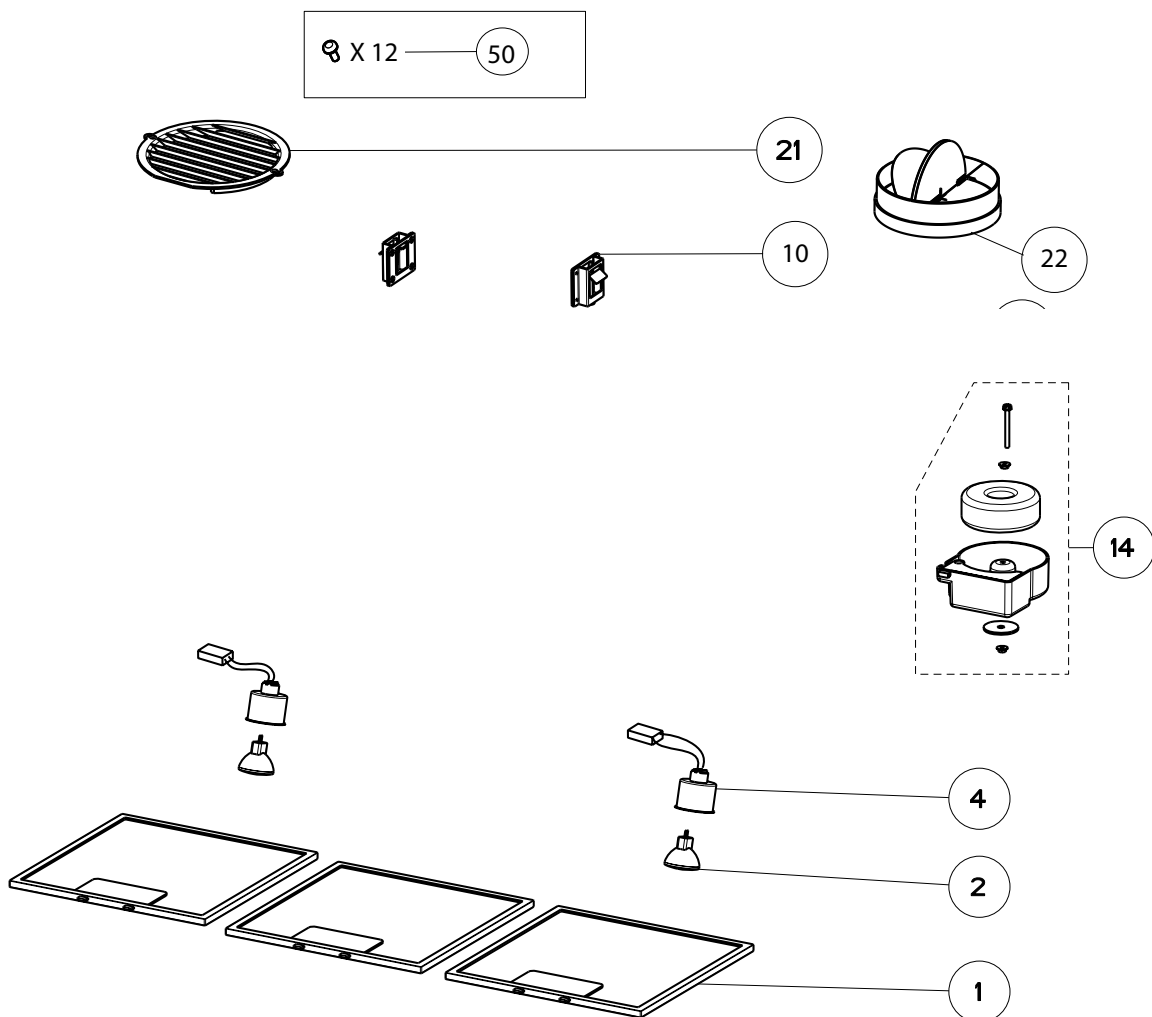


INCA HC SS ELECTRONIC CONTROLS

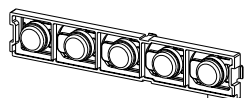
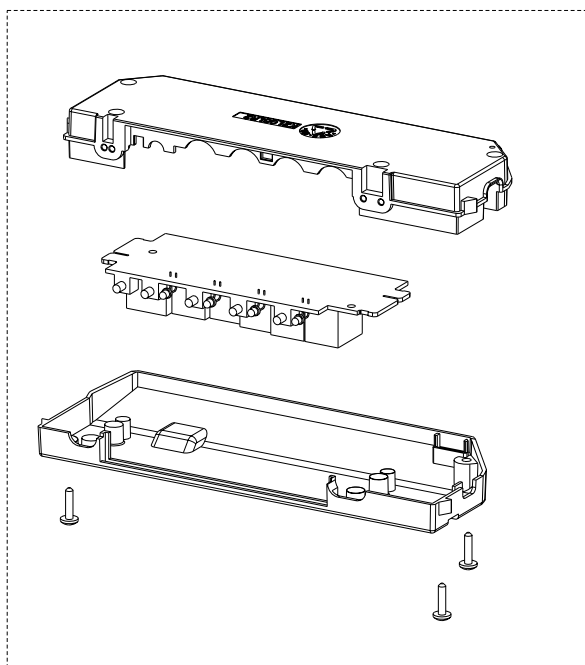
body components



	Model Number	INHC29SS	
Key	Description	29 Stainless	Qty Req.
1	Grease Filter (<i>Squeeze release tab</i>)	133.0081.905	3
1	Grease Filter (<i>Pull tab release</i>)	133.0189.437	3
2	Halogen Lamp	133.0046.418	2
4	Lamp Holder	133.0179.589	2
10	Hinge Clips Kit (2 in kit)	133.0078.993	1
14	Transformer Kit	133.0052.516	1
21	Vent Grate	133.0016.964	1
22	Damper	133.0055.994	1
50	Mounting Kit Screws Inca	133.0084.481	1

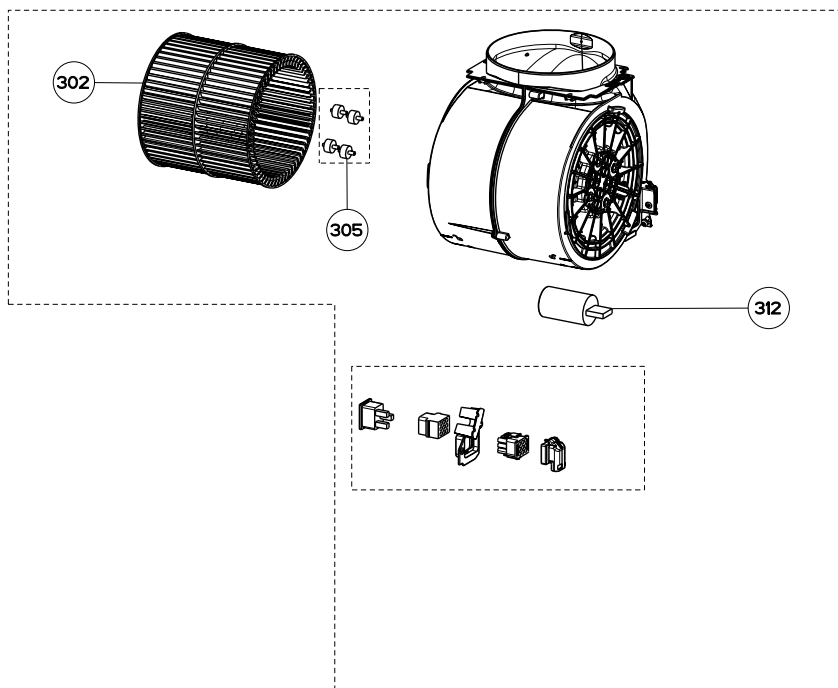
INCA HC SS ELECTRONIC CONTROLS

switch / motor components



101

190



302

305

312

399

	Model Number	INHC29SS	
Key	Description	29 Stainless	Qty Req.
101	Control Button Kit	133.0176.906	1
190	Control Board Kit	133.0176.907	1
302	Impeller Kit	133.0052.799	1
305	Rubber Motor Mount	133.0051.604	1
312	Capacitor	133.0060.648	1
399	Motor Kit	133.0052.798	1