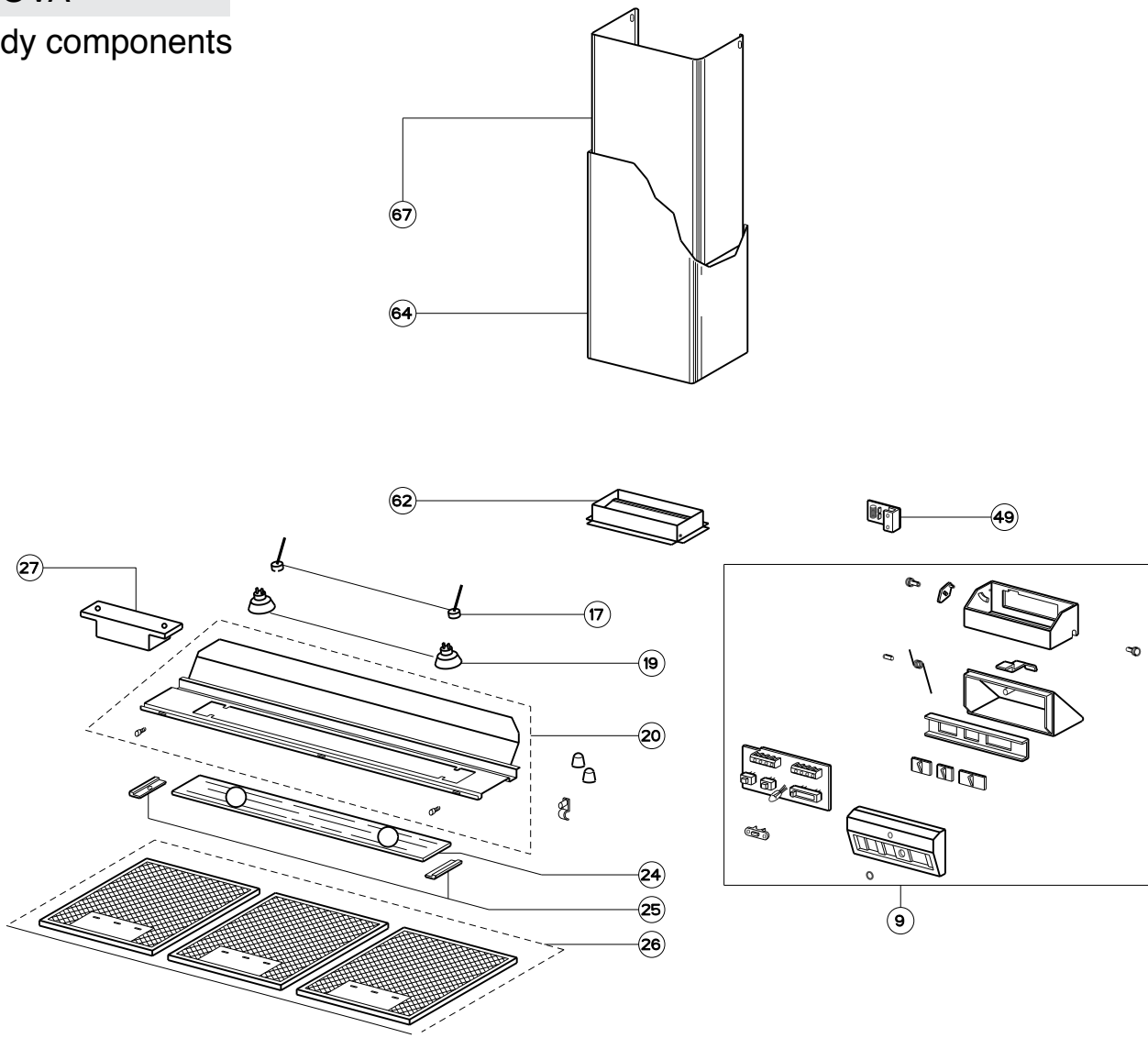


NOVA

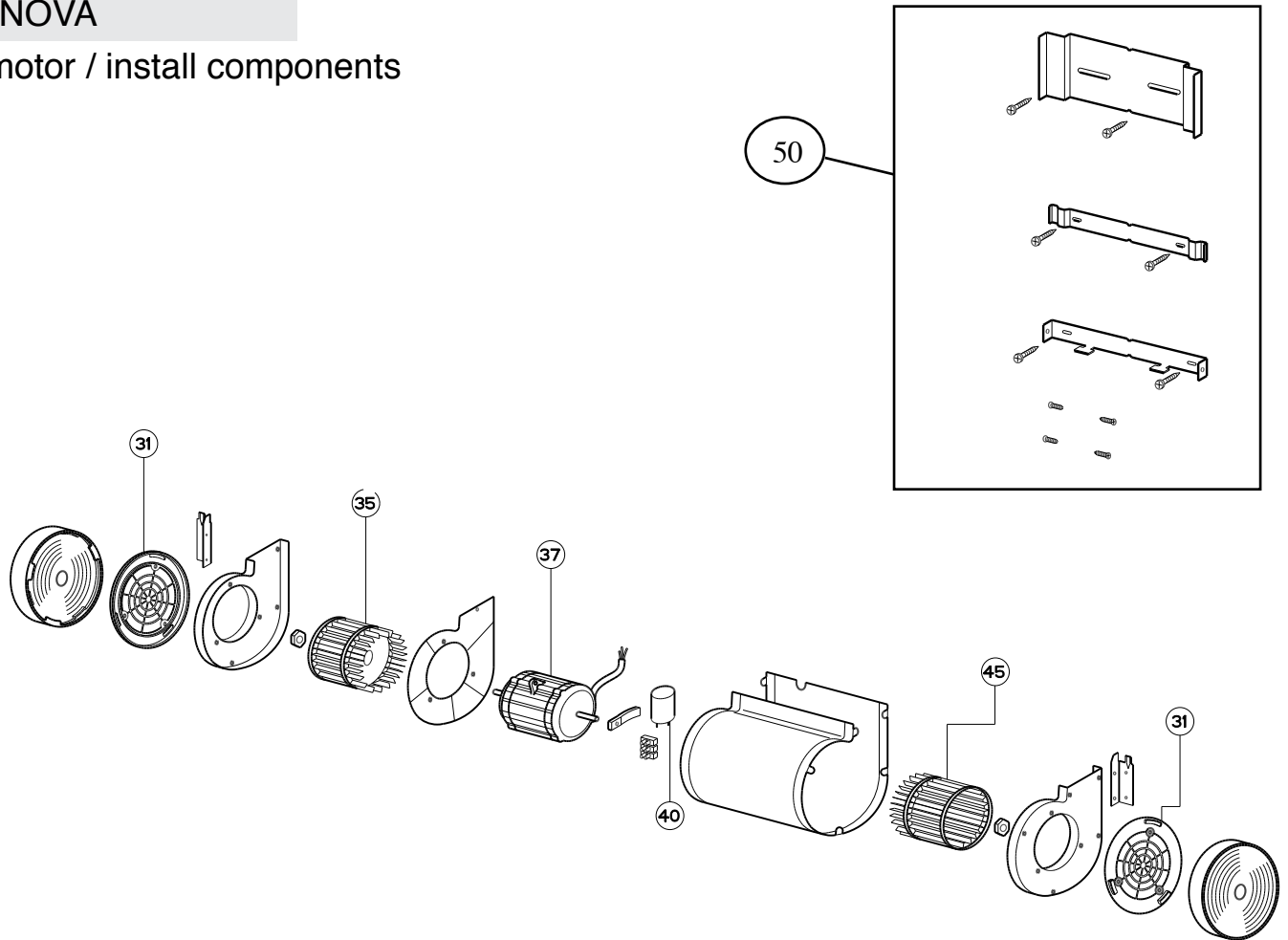
body components



	Model Number	6032412	6032409	
Key	Description	30 Stainless	36 Stainless	Qty Req.
9	Switch Kit	133.0075.473	133.0075.473	1
17	Lampholder	133.0056.189	133.0056.189	2
19	Halogen Lamp	133.0046.418	133.0046.418	2
20	Light Support	133.0075.486	133.0075.486	1
24	Light Diffusor	133.0056.068	133.0056.068	1
25	Light Diffusor Clips	133.0055.253	133.0055.253	1
26	Grease Filter	133.0018.480	133.0018.480	2
27	Transformer	133.0072.595	133.0072.595	1
49	Speed Control	133.0075.472	133.0075.472	1
62	Damper	133.0068.606	133.0068.606	1
64	Lower Chimney	133.0075.468	133.0075.468	1
67	Upper Chimney	133.0075.467	133.0075.467	1

NOVA

motor / install components



	Model Number	6032412H	6032409H	
Key	Description	30 Stainless	36 Stainless	Qty Req.
35	Left impeller	133.0052.890	133.0052.890	1
37	Motor	133.0058.796	133.0058.796	1
40	Capacitor	133.0068.611	133.0068.611	1
45	Right impeller	133.0052.879	133.0052.879	1
50	Installation Kit Nova	133.0084.487	133.0084.487	1