



***GARLAND MODEL
API, APA, AP4 ELECTRIC
APO COUNTER DECK OVEN***

PARTS LIST



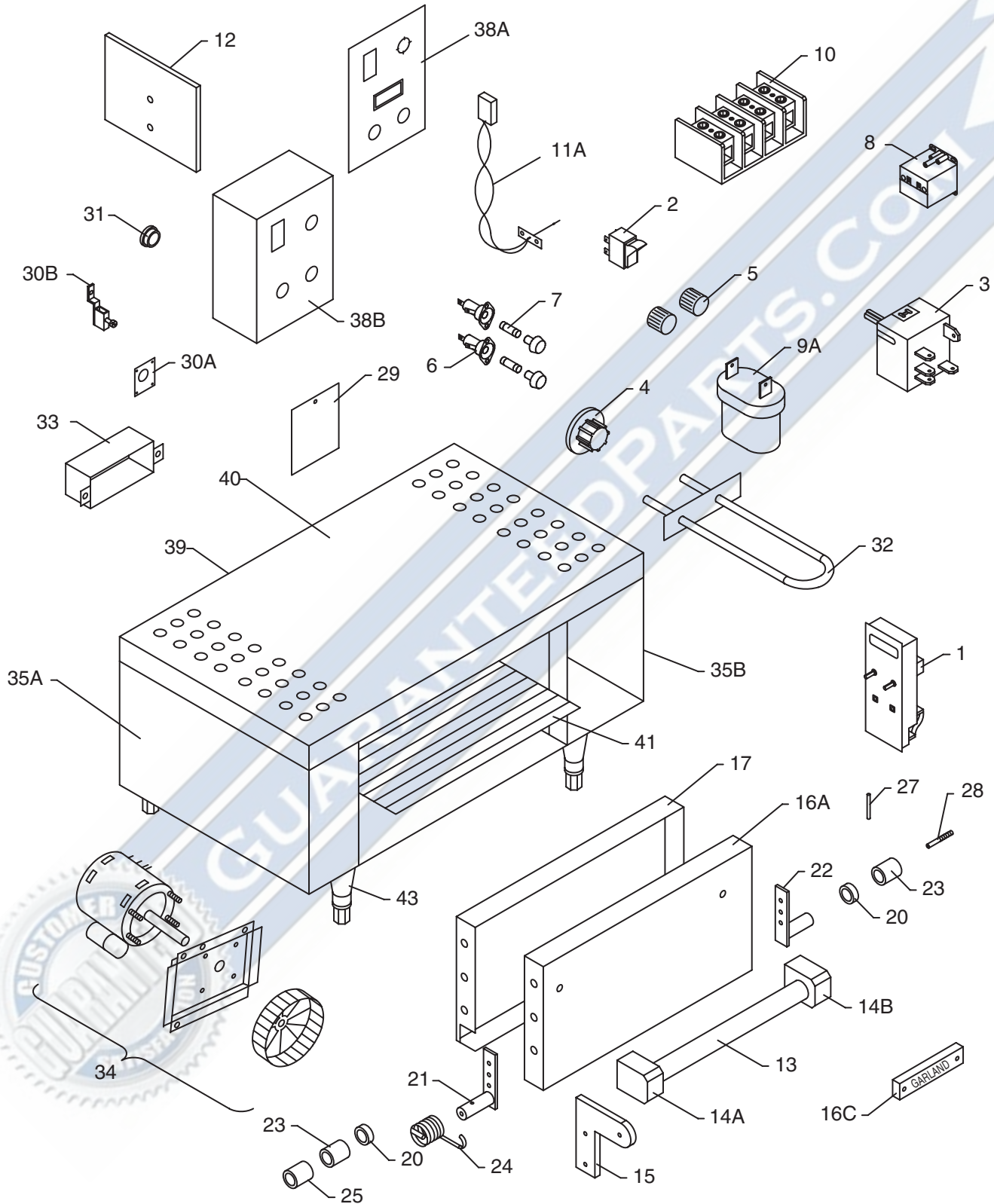


GARLAND MODEL API, APA, AP4 ELECTRIC APO COUNTER DECK OVEN

Contents:

API, APA, AP4 Electric APO Counter Deck Oven Page 4





GARLAND PARTS IDENTIFICATION
API, APA, AP4 Electric APO Counter Deck Oven

ITEM	PART #	DESCRIPTION	MODEL	DATE	
			QUANTITY	FROM	UP TO
			APO		
Section A: Control, Components- Right Side					
1	1517710	Controller	1		
2	1639701	Master Power Switch (Amber)	1		
3	1101300	Infinite Switch 240 Volt	1		
4	1717801	Heat Dial	1		
5	1720501	Time/Temp Knob	2		
6	1130106	Fuse Holder	2		
7	1130107	Fuse 10 Amp	2		
8	9005400	Mercury Contactor	1		
9A	1636501	Capacitor 5 MFD	1		
9B*	1730702	Capacitor Bracket	1		
9C*	1730703	Capacitor Termination Boot	1		
10	1233901	Terminal Block #H 4-Pole	1		
11A	9006800	Senor Probe (Side Mount)	1		
11B*	1101402	Thermostat Bulb Clips	4		
12	1714002	Access Door	1		
Section B: Door System					
13	1589101	Extruded Handle Bar 18.375	1		30-Aug-00
	1592001	Handle Overlay 18 3/8x1 21/64	1		30-Aug-00
	1635500	Door Handle	1	30-Aug-00	
14A	9003701	Handle L/H	1		30-Aug-00
14B	9003700	Handle R/H	1		30-Aug-00
15	1634500	Door Handle End Cap (RH or LH)	2	30-Aug-00	
16A	1715802	Door Front SS	1		
	1700401	Front Panel	1	30-Aug-00	
16B*	1309056	Cerawool 7-3/8" x 20-3/4" x 1/2" Thick	2		
16C	1902919	Garland Nameplate 4"	1	30-Aug-00	
17	1700501	Back Panel	1		
18*	1700699	Inner Back Plug	1		
19*	1689002	Spacer 1/2"	2		
	1702601	Socket Head Screw	4		
20	1011201	Steel Tubing Chrome Spacer	2		
21	1689398	Door Arm Left W/A	1		
22	1689399	Door Arm Right W/A	1		
23	1054330	Bronze Bearing	2		
24	1632601	Door Spring	1		Apr-94
	1688701	Door Spring	1	Apr-94	
25	1725602	Sleeve Bearing Left Side Only	1		
26*	8002108	Smscr-Th-Stl-Phil-A 10-32x3/4	1		
27	1720201	Dowel Pin S/S	1		
28	8003802	Set Screw	1		
Section C: Back (Motor, Elements)					
29	1714001	Access Door	1		
30A	1032500	Knock Out Plate	1		
30B	1028402	Ground Lug	1		
31	1028800	Snap Bushing 1" Dia. #315-734	3		

* NOT ILLUSTRATED

RECOMMENDED STOCK PARTS

GARLAND PARTS IDENTIFICATION
API, APA, AP4 Electric APO Counter Deck Oven

ITEM	PART #	DESCRIPTION	MODEL	DATE	
			QUANTITY	FROM	UP TO
			APO		
32	1616800	208V Element	4		Mar-94
	1616803	Element APO 208V	4	Mar-94	
	1616801	240V Element	4		Mar-94
	1616804	Element APO 240V	4	Mar-94	
33	1724601	Spark Guard	4		
34	1636599	Motor Assembly Available as Assembly Only	1		
Section D: Body Exterior					
35A	1715403	Left Side Panel	1		
35B	1714703	Cover Right SS	1		
36*	1714402	Column Cover Left	1		
37*	1715703	Spring Block	1		
38A	1715302	Touch Pad (APO 1-208) Overlay	1		
38B	1714503	Control Panel	1		
39	1714601	Cover Back	1		
40	1717401	Top Cover	1		
41	1631796	Bottom Jet Plate	1		
42*	1709002	Rack	1		
	1709099	Perforated Rack	1		
43	1196302	Leg 4 Metal"	4		

* NOT ILLUSTRATED

RECOMMENDED STOCK PARTS

