



***10 SERIES***  
***RANGES/BROILERS/FRYERS***

**PARTS LIST**

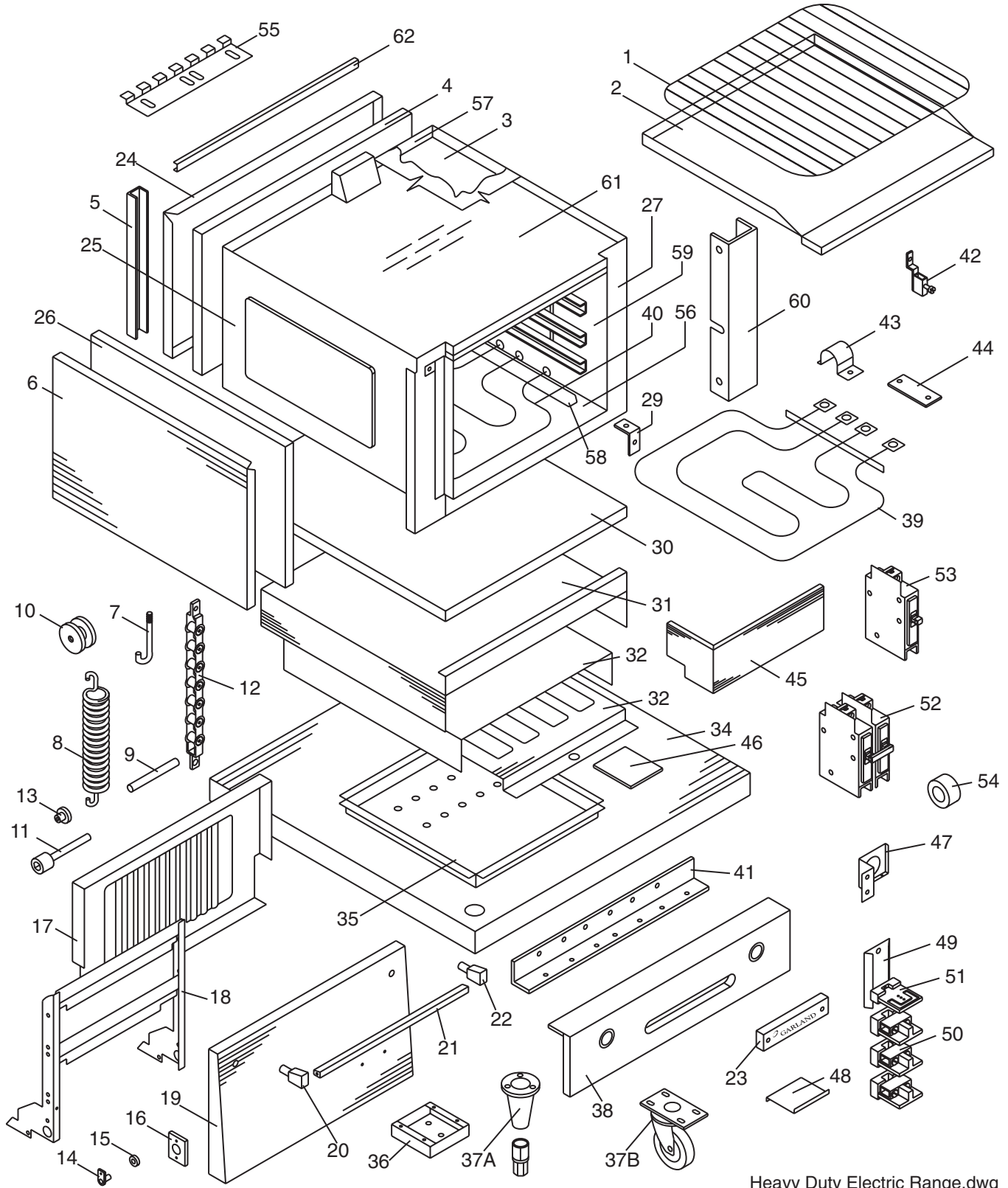




# ***10 SERIES RANGES/BROILERS/FRYERS***

## ***Contents:***

Heavy Duty Electric Range 10 Series-Oven Section .....	Page 4
Heavy Duty Range Surface Plate Sections - 10-10, 10-11, 10-13 .....	Page 8
Heavy Duty Range Surface Plate Sections - 10-18, 10-20, 10-22 .....	Page 12
Heavy Duty Range Surface Plate Sections - 10-16, 10-17, 10-21 .....	Page 16
Heavy Duty Electric Fryers 10-31 .....	Page 20
Series Heavy Duty Fryers 10-70F .....	Page 24
Heavy Duty Electric Broilers - 10-33 .....	Page 28
Heavy Duty Attachements - 10-28, 10-29 .....	Page 32



Heavy Duty Electric Range.dwg  
REV.0

**GARLAND PARTS IDENTIFICATION**  
**Heavy Duty Electric Range 10 Series-Oven Section**

ITEM	PART #	DESCRIPTION	MODEL
			10 SERIES QUANTITY
1	G1027A1	Oven Rack Chrome	1
2	G1070-1	Oven Hearth	1
3	G1046-2-8E	Oven Top Enamelled	1
4	1472306	Insulation 27 x 17x 2	1
5	G0824-1-8	Rear Leg Support	2
6	G01088-1-8	Body Side	2
	G01088-1-9	Body Side S/S	2
7	G2782-2-8	Hook Bolt	1
8	G1007-1	Oven Door Spring	1
9	G2511-1-8	Pulley Shaft	1
10	G1773-1	Pulley #C1312-5	1
11	GF6	Allen Screw Blk 1/4-20X1 3/4"	1
12	G03025-03-8	Chain Assembly	1
13	G01503-1	Ohio Weld Nut 1/4-20 #WF2150	1
14	1082500	Oven Door Trunion	2
15	1082700	Harness Ring 7GA. # 0911N070800	2
16	1083001	Trunion Support	2
17	1439796	Oven Door Lining Enamelled	1
18	G03984-03-8	Oven Door Insert Assembly	1
19	1080723	Oven Door Panel	1
20	9003701	Handle L/H	1
21	1589100	Extruded Handle Bar 24 3/8"	1
	1592000	Handle Overlay 24 3/8x1 21/64"	1
	F481	Door Handle Screws	2
	CK137A	Oven Door Assy Kit H286	
22	9003700	Handle R/H	1
23	1902918	Nameplate - GARLAND 7 3/4	1
24	G01087-1-8	Main Back	1
25	2126297	L/H Oven Side Assembly GCE	1
26	1472304	Insulation 72 34 x 2	1
27	G01100-01-8	Oven Front Assembly	1
28*	G1038-1-8	Front Frame Bottom	1
29	G2110-1-7	Lower Front Panel Bracket	2
30	GM304	Insulation 32 x 26 x 3	1
31	G01765-1-6	Insulating Botton	1
32	G01766-1-6	Heat Shield	1
33	G01285-1-7	Breaker Cover	1
34	G01085-1-7	Main Bottom	1
35	G01284-1-7	Breaker Enclosure	1
36	2167700	Base Corner	4
37*	1027800	Casters Without Brake	2
	1027801	Casters With Brake	2
37A	1027600	Leg Retainer 6"	4
	2093800	Leg Retainer 4"	4
	1150502	Bullet Legs	4
	F445	Leg Screw #14Bx5/8" Hex Washer HD Zinc	12
37B	1027800	Swivel Caster Less Brake	4
	1027801	Swivel Caster With Brake	4

\* NOT ILLUSTRATED

**RECOMMENDED STOCK PARTS**

**GARLAND PARTS IDENTIFICATION**  
**Heavy Duty Electric Range 10 Series-Oven Section**

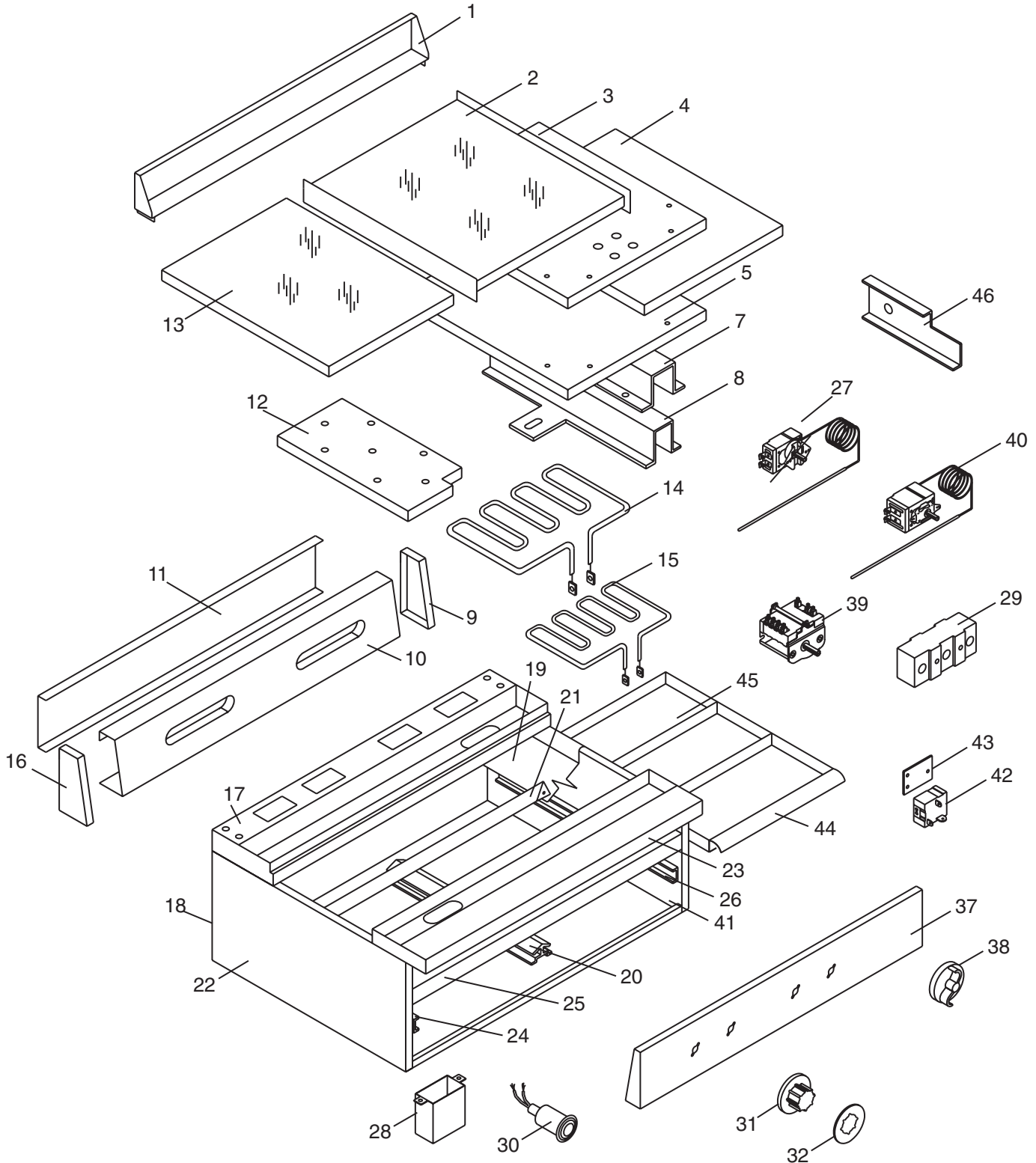
ITEM	PART #	DESCRIPTION	MODEL
			10 SERIES QUANTITY
38	G6077-1-9	Lower Front Panel	1
39	G01107-1	Element Upper 208V,3KW	1
	G01107-2	Element Upper 240V,3KW	1
40	G01106-1	Element Lower 208V,3.5KW	1
	G01106-2	Element Lower 240V,3.5KW	1
41	G6562-1-7	Three Place Support	1
42	G01499-1	Ground Terminal 105A Large SLU-70	1
43	F302	Element Hold Down Clip	6
44	G1314-1-6	Element Bus Bar	2
45	G01769-1-7	Terminal Block Cover	1
46	G01768-1-7	Hole Cover	1
47	G1394-2-7	Cable Anchor	1
48	G01951-1-7	Terminal Block Baffle	1
49	G01280-3-7	Terminal Block Channel 3 LUG	1
50	G01268-1	Terminal Block #824	3
51	G01268-2	Terminal Block End #830	1
52	G01771-1	Circuit Breaker 2 Pole 40 AMP (Domestic)	1
53	G01771-2	Circuit Breaker 1 Pole 40 AMP (Domestic)	1
	G01478-1	Circuit Breaker Export	1
54	G01487-5	Heyco Bushing 1-5/16 ID	1
	G01487-1	PDQ Bushing	
	1028802	Heyco Bushing	
55	G2699-4-7	Circuit Breaker Clamp	2
56	G1045-2-8E	Oven Bottom Enamelled	1
57	G1043-01-8E	Oven Back Assembly Enamelled	1
58	G1045-5-6	Oven Bottom Filler	2
59	2126296	R/H Oven Side Assembly GCE	1
60	G01105-1-91	Corner Column R/H	1
	G01105-1-92	Corner Column L/H	1
61	G1048-01-7	Burner Box Bottom Assembly	1
62	G1057-01-9	Front Finishing Channel Assembly	1

\* NOT ILLUSTRATED

**RECOMMENDED STOCK PARTS**

# ***NOTES***

USED FROM SERIAL # 19233



Heavy Duty Range 01.dwg  
 REV.0



**GARLAND PARTS IDENTIFICATION**  
**Heavy Duty Range Surface Plate Sections**  
**Used From Serial # 19233**

ITEM	PART #	DESCRIPTION	QUANTITY					
			10 SERIES					
			-10R	-10S	-11R/RG	-11S/SG	-13R/RG	-13S/SG
1	<a href="#">G02076-36-9</a>	Splash Guard			1	1	1	1
2	<a href="#">G01848-01-8</a>	18" All Purpose Plate Assembly (2) 1/2" Lips			1	1		
	<a href="#">CK118-208</a>	18" All Purpose Plate Complete Kit			1	1		
	<a href="#">CK118-240</a>	18" All Purpose Plate Complete Kit			1	1		
	<a href="#">G01847-01-8</a>	36" All Purpose Plate Assembly (2) 1/2" Lips					1	1
	<a href="#">CK124-208</a>	36" All Purpose Plate Complete Kit					1	1
	<a href="#">CK124-240</a>	36" All Purpose Plate Complete Kit					1	1
3	<a href="#">G01838-2-6</a>	Element Baffle			1	1	2	2
	<a href="#">G01838-1-6</a>	Element Baffle	2	2	1	1		
4	<a href="#">GM80</a>	Insulation 27x17 1/2x2	2	2	2	2	2	2
5	<a href="#">G01839-2-6</a>	Element Cover			1	1	2	2
	<a href="#">G01839-1-6</a>	Element Cover	2	2	1	1		
7	<a href="#">G01849-1-6</a>	Bulb Channel			1	1	2	2
8	<a href="#">G01851-01-6</a>	Bulb Clamp Assembly			1	1	2	2
9	<a href="#">G2700-1-91</a>	Backguard Brackets R/H	1	1	1	1	1	1
10	<a href="#">G2701-36-9</a>	Backguard Front (Louver)	1	1	1	1	1	1
11	<a href="#">G2702-36-8</a>	Backguard Back	1	1	1	1	1	1
12	<a href="#">2179500</a>	Element Clamp	8	8	8	8	8	8
13	<a href="#">G01847-02-8</a>	36" Boiling Plate Assembly (No Lips)	1	1				
	<a href="#">CK123-208</a>	36" Boiling Plate Complete Kit	1	1				
	<a href="#">CK123-240</a>	36" Boiling Plate Complete Kit	1	1				
	<a href="#">G01848-02-8</a>	18" Boiling Plate Assembly (No Lips)			1	1		
	<a href="#">CK122-208</a>	18" Boiling Plate Complete Kit			1	1		
	<a href="#">CK122-240</a>	18" Boiling Plate Complete Kit			1	1		
14	<a href="#">G01801-1</a>	Element Outer 208V,1.6KW	4	4	4	4	4	4
	<a href="#">G01801-2</a>	Element Outer 240V,1.6KW	4	4	4	4	4	4
15	<a href="#">G01802-1</a>	Element Inner 208V,1.4KW	4	4	4	4	4	4
	<a href="#">G01802-2</a>	Element Inner 240V,1.4KW	4	4	4	4	4	4
16	<a href="#">G2700-1-92</a>	Backguard Brackets L/H	1	1	1	1	1	1
17	<a href="#">G2553-01-8P</a>	36" Back Top Assembly	1	1	1	1	1	1
18	<a href="#">G1060-1-8</a>	Burner Box Back	1	1	1	1	1	1
19	<a href="#">G1069-1-6</a>	Drip Chute	2	2	2	2	2	2
20	<a href="#">G01976-01-7</a>	Grease Diverter Assembly	1	1	1	1	1	1
21	<a href="#">G01977-1-7</a>	Wire Guard	3	3	3	3	3	3
22	<a href="#">G1059-1-82</a>	Burner Box Side L/H	1	1	1	1	1	1
	<a href="#">G1059-1-92</a>	Burner Box Side S/S	1	1	1	1	1	1
23	<a href="#">G2552-01-8P</a>	36 Front Top Assembly"	1	1	1	1	1	1
24	<a href="#">G1051-1-72</a>	Drip Tray Slide L/H	2	2	2	2	2	2
25	<a href="#">G01876-01-7</a>	Switch Guard Assembly	1	1	1	1	1	1
26	<a href="#">G1051-1-71</a>	Drip Tray Slide R/H	2	2	2	2	2	2
27	<a href="#">G01859-01</a>	All Purpose Thermostat 250F TO 650F			-11R (1)	-11S (1)	-13R (2)	-13S (2)
	<a href="#">G02075-01</a>	All Purpose Thermostat 250F TO 650F Export			-11R (1)	-11S (1)	-13R (2)	-13S (2)

\* NOT ILLUSTRATED

**RECOMMENDED STOCK PARTS**

**GARLAND PARTS IDENTIFICATION**  
**Heavy Duty Range Surface Plate Sections**  
**Used From Serial # 19233**

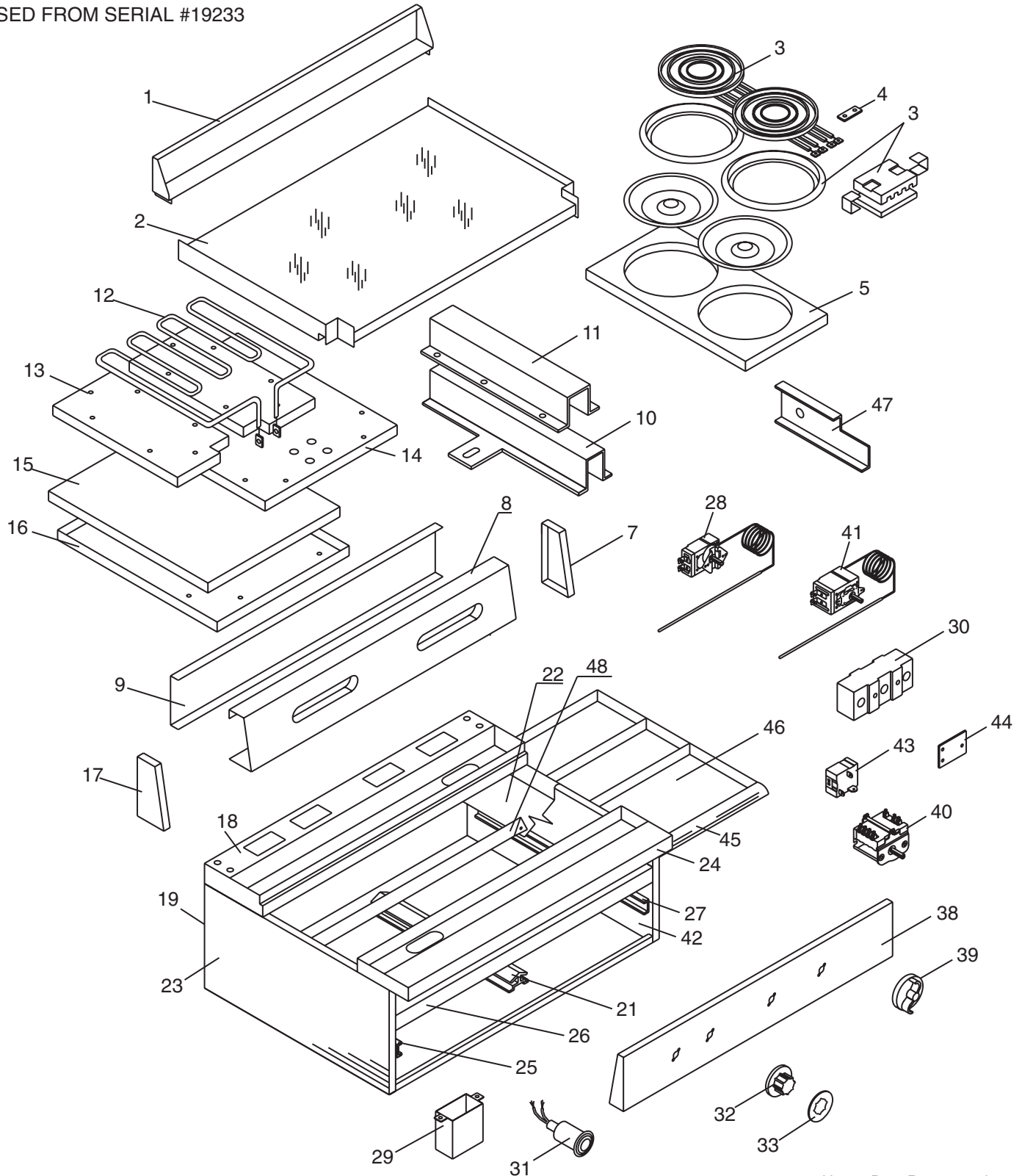
ITEM	PART #	DESCRIPTION	QUANTITY					
			10 SERIES					
			-10R	-10S	-11R/RG	-11S/SG	-13R/RG	-13S/SG
27 Cont	G0893-01	Griddle Thermostat 100F to 450F			-11RG (1)	-11SG (1)	-13RG (2)	-13SG (2)
28	G2539-02-6	Grease Chute Assembly	2	2	2	2	2	2
29	G1013-1	Terminal Block			1	1	2	2
30	G01296-2	Pilot Amber	1		2	1	3	2
31	G02716-1	Dial - (Universal) Small Shaft	1		2	1	3	2
32	G02725-13	Dial Insert (OFF/1/10) All Purpose			1	1	2	2
	G02725-9	Dial Insert (OFF/65C/290C) Oven Celsius	1		1		1	
	G02725-17	Dial Insert (OFF/150F/550F) Oven F	1		1		1	
	G02725-19	Dial Insert (OFF/100F/450F) Griddle F			1	1	2	2
	G02725-11	Dial Insert (OFF/40C/230C) Griddle Celsius			1	1	2	2
33*	G1555-1	Front I.D. Plate	2	2	1	1		
34*	G1555-2	Rear I.D. Plate	2	2	1	1		
35*	G1555-4	Top I.D. Plate	1		1		1	
36*	G1555-3	Bottom I.D. Plate	1		1		1	
37	G01165-07-9	Switch Panel Assembly 10-11S & T				1		
	G01165-05-9	Switch Panel Assembly			1			
	G01165-04-9	Switch Panel Assembly 10-10S		1				
	G01165-02-9	Switch Panel Assembly	1					
	G01165-08-9	Switch Panel Assembly					1	
	G01165-010-9	Switch Panel Assembly 10-13S & T						1
38	G1035-1	Dial HI-MED-LOW	6	4	4	2	2	
39	G02667-1	3 Heat Switch From Serial # 32037	6	4	4	2	2	
	CK114	3 Heat Switch Kit Up to Serial # 32036	6	4	4	2	2	
	G2088	Switch Three Heat Hi Voltage	6	4	4	2	2	
40	G0894-01	Oven Thermostat 150F TO 550F	1		1		1	
41	G1059-1-81	Burner Box Side R/H	1	1	1	1	1	1
	G1059-1-91	Burner Box Side S/S	1	1	1	1	1	1
42	G0912-1	Thermal Relay-Normally Open	1		2	1	3	2
43	G0939-1-8	Relay Mounting Bracket	1		2	1	3	2
44	G1836-7	Drip Tray Handle R/H 17.875"	1	1	1	1	1	1
	G1836-6	Drip Tray Handle L/H 17.875"	1	1	1	1	1	1
45	G1063-01-8	Drip Tray Assembly	2	2	2	2	2	2
46	G02039-1-7	Drip Tray Guide Extension	1	1	1	1	1	1

\* NOT ILLUSTRATED

**RECOMMENDED STOCK PARTS**

## ***NOTES***

USED FROM SERIAL #19233



**GARLAND PARTS IDENTIFICATION**  
**Heavy Duty Range Surface Plate Sections**  
**Used From Serial # 19233**

ITEM	PART #	DESCRIPTION	QUANTITY										
			10 SERIES										
			-18R/RG	-18S/SG	-18T/TG	-20R/RG	-20S/SG	-20T/TG	-22R	-22S	-22T		
1	<a href="#">G02076-36-9</a>	Splash Guard	1	1	1	1	1	1	1	1	1	1	1
2	<a href="#">G01844-01-8</a>	24" All Purpose Plate (2) 1/2" Lips				1	1	1					
	CK120-208	24" All Purpose Plate Complete Kit 208V				1	1	1					
	CK120-240	24" All Purpose Plate Complete Kit 240V				1	1	1					
	<a href="#">G01843-01-8</a>	36" Griddle (2) 2-1/2" Lips							1	1	1		
	CK18-208	36" Griddle Complete Kit 208V							1	1	1		
	CK18-240	36" Griddle Complete Kit 240V							1	1	1		
	<a href="#">G01843-02-8</a>	36" All Purpose Plate (2) 1/2" Lips	1	1	1								
	CK119-208	36" All Purpose Plate Complete Kit 208V	1	1	1								
CK119-240	36" All Purpose Plate Complete Kit 240V	1	1	1									
3	<a href="#">2195600</a>	8" Surface Element 208V				2	2	2					
	<a href="#">2195601</a>	8" Surface Element 240V				2	2	2					
	<a href="#">2602399</a>	8" Ring Assembly				2	2	2					
	<a href="#">2195301</a>	Reflector Pans 8"				2	2	2					
	<a href="#">2195700</a>	Split Terminal Block (Large)				2	2	2					
	<a href="#">2627700</a>	Terminal Block Clip				4	4	4					
	CK102-208	8" Complete Surface Element Kit 208V				2	2	2					
	CK102-240	8" Complete Surface Element Kit 240V				2	2	2					
4	<a href="#">G01574-1</a>	Buss Bar 5/16 x 7/8				2	2	2					
5	G1030-01-9	12" Top Assembly (2 holes)"				1	1	1					
7	<a href="#">G2700-1-91</a>	Backguard Brackets R/H	1	1	1	1	1	1	1	1	1	1	1
8	G2701-36-9	Backguard Front (Louver)	1	1	1	1	1	1	1	1	1	1	1
9	G2702-36-8	Backguard Back	1	1	1	1	1	1	1	1	1	1	1
10	<a href="#">G01851-01-6</a>	Bulb Clamp Assembly	3	3	3	2	2	2	3	3	3	3	3
11	<a href="#">G01849-1-6</a>	Bulb Channel	3	3	3	2	2	2	3	3	3	3	3
12	<a href="#">G01818-1</a>	Element 208V,4KW	3	3	3	2	2	2	3	3	3	3	3
	<a href="#">G01818-2</a>	Element 240V, 4KW	3	3	3	2	2	2	3	3	3	3	3
13	<a href="#">G01831-1-6</a>	Element Clamp	6	6	6	4	4	4	6	6	6	6	6
14	<a href="#">G01832-1-6</a>	Element Baffle	3	3	3	2	2	2					
15	GM303	Insulation 22 x 11x 2	3	3	3	2	2	2					
16	<a href="#">G01830-1-6</a>	Element Cover	3	3	3	2	2	2	3	3	3	3	3
17	<a href="#">G2700-1-92</a>	Backguard Brackets L/H	1	1	1	1	1	1	1	1	1	1	1
18	G2553-01-8P	36" Back Top Assembly	1	1	1	1	1	1	1	1	1	1	1
19	G1060-1-8	Burner Box Back	1	1	1	1	1	1					
21	<a href="#">G01976-01-7</a>	Grease Diverter Assembly	1	1	1	1	1	1	1	1	1	1	1
22	<a href="#">G1069-1-6</a>	Drip Chute	2	2	2	2	2	2	2	2	2	2	2
23	G1059-1-82	Burner Box Side L/H	1	1	1	1	1	1					
24	G2552-01-8P	36" Front Top Assembly	1	1	1	1	1	1	1	1	1	1	1
25	G1051-1-72	Drip Tray Slide L/H	2	2	2	2	2	2	2	2	2	2	2
26	G01876-01-7	Switch Guard Assembly	1	1	1	1	1	1	1	1	1	1	1
27	<a href="#">G1051-1-71</a>	Drip Tray Slide R/H	2	2	2	2	2	2	2	2	2	2	2
28	<a href="#">G01859-01</a>	All Purpose Thermostat 250F To 650F For Models 10-18/10-20 R,S & T	3	3	3	2	2	2					
	<a href="#">G0893-01</a>	Griddle Thermostat 100F To 450F For Models 10-18/10-20 RG,SG,&TG/10-22R,S,T	3	3	3	2	2	2	3	3	3	3	3

\* NOT ILLUSTRATED

**RECOMMENDED STOCK PARTS**

**GARLAND PARTS IDENTIFICATION**  
**Heavy Duty Range Surface Plate Sections**  
**Used From Serial # 19233**

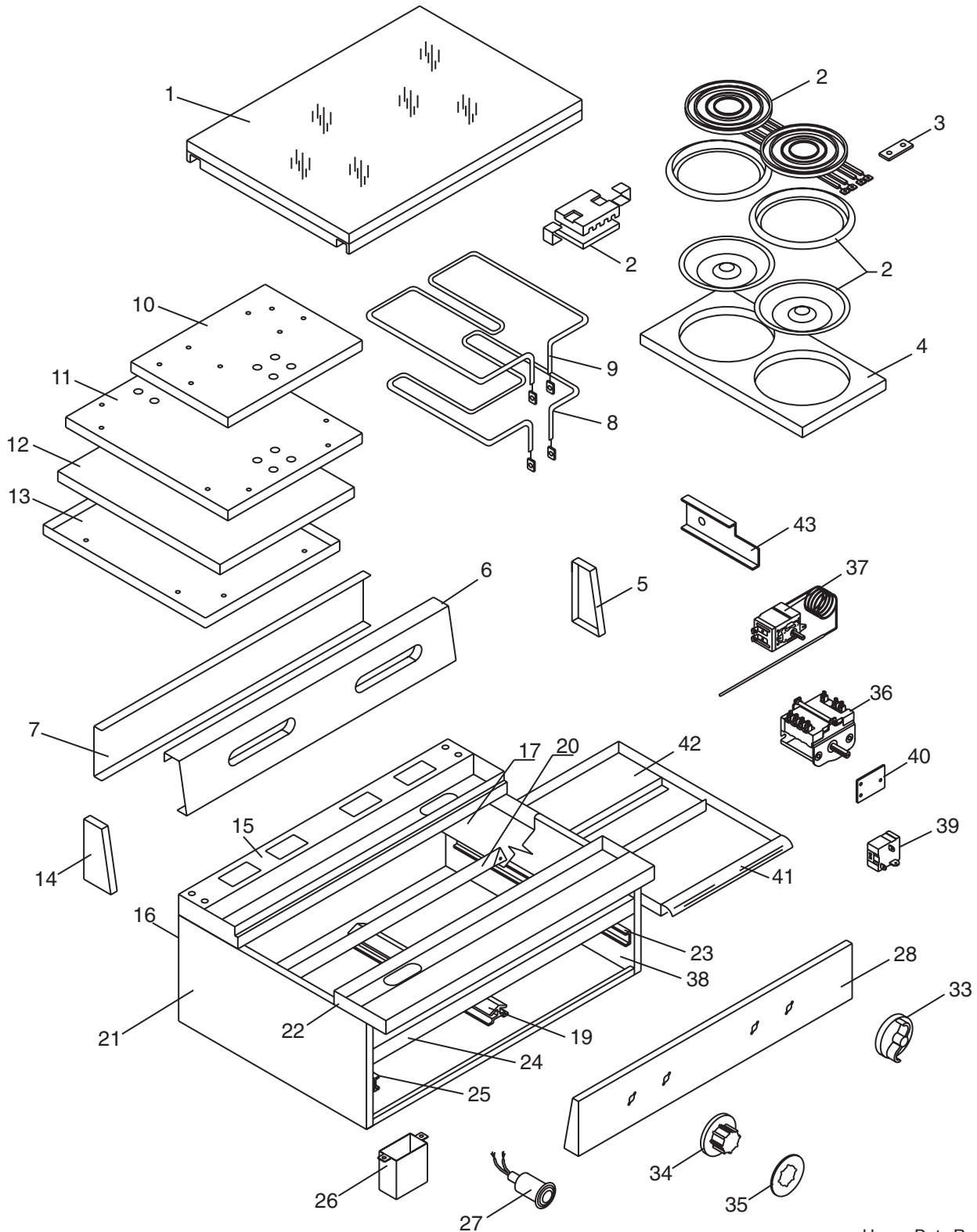
ITEM	PART #	DESCRIPTION	QUANTITY								
			10 SERIES								
			-18R/RG	-18S/SG	-18T/TG	-20R/RG	-20S/SG	-20T/TG	-22R	-22S	-22T
29	G2539-02-6	Grease Chute Assembly	2	2	2	2	2	2	2	2	2
30	G1013-1	Terminal Block	1	1	1	1	1	1	1	1	1
31	G01296-2	Pilot Amber	4	3	3	3	2	2	4	3	3
32	G02716-1	Dial - (Universal) Small Shaft	4	3	3	3	2	2	4	3	3
33	G02725-13	Dial Insert (OFF/1/10) All Purpose	3	3	3	2	2	2			
	G02725-19	Dial Insert (OFF/100F/450F) Griddle F	3	3	3	2	2	2	3	3	3
	G02725-11	Dial Insert (OFF/40C/230C) Griddle Celsius	3	3	3	2	2	2	3	3	3
	G02725-9	Dial Insert (OFF/65C/290C) Oven Celsius	1			1			1		
	G02725-17	Dial Insert (OFF/150F/550F) Oven F	1			1			1		
34*	G1555-1	Front I.D. Plate					1	1	1		
35*	G1555-2	Rear I.D. Plate				1	1	1			
36*	G1555-4	Top I.D. Plate	1			1			1		
37*	G1555-3	Bottom I.D. Plate	1			1			1		
38	G01165-019-9	Switch Panel Assembly 10-20 S& T					1	1			
	G01165-017-9	Switch Panel Assembly				1					
	G01165-016-9	Switch Panel Assembly		1	1					1	
	G01165-014-9	Switch Panel Assembly	1						1		
39	G1035-1	Dial HI-MED-LOW	2			4	2	2	2		
40	G02667-1	3 Heat Switch From Serial # 32037	2			4	2	2	2		
	CK114	3 Heat Switch Up to Serial # 32036	2			4	2	2	2		
	G2088	Switch Three Heat Hi-Voltage	2			4	2	2	2		
41	G0894-01	Oven Thermostat 150F To 550F	1			1			1		
42	G1059-1-81	Burner Box Side R/H	1	1		1	1		1	1	
43	G0912-1	Thermal Relay-Normally Open	1			1			1		
44	G0939-1-8	Relay Mounting Bracket	1			1			1		
45	G1836-7	Drip Tray Handle R/H 17.875"	1	1	1	1	1	1	1	1	1
	G1836-6	Drip Tray Handle L/H 17.875"	1	1	1	1	1	1	1	1	1
46	G1063-01-8	Drip Tray Assembly	2	2	2	2	2	2	2	2	2
47	G02039-1-7	Drip Tray Guide Extension	1	1	1	1	1	1	1	1	1
48	G01977-1-7	Wire Guard	3	3	3	3	3	3	3	3	3

\* NOT ILLUSTRATED

**RECOMMENDED STOCK PARTS**

## ***NOTES***

USED FROM SERIAL #19233



Heavy Duty Range 03.dwg  
REV.0



**GARLAND PARTS IDENTIFICATION**  
**Heavy Duty Range Surface Plate Sections**  
**Used From Serial # 19233**

ITEM	PART #	DESCRIPTION	QUANTITY									
			10 SERIES									
			-16R	-16S	-16T	-17R	-17S	-17T	-21R	-21S	-21T	
1	G01845-01-8	24" Boiling Plate No Lips								1	1	1
	CK121-208	24" Boiling Plate Complete Kit 208V								1	1	1
	CK121-240	24" Boiling Plate Complete Kit 240V								1	1	1
	G01846-01-8	36" Boiling Plate No Lips				1	1	1				
	CK125-208	36" Boiling Plate Complete Kit 208V				1	1	1				
	CK125-240	36" Boiling Plate Complete Kit 240V				1	1	1				
2	2195600	8" Surface Element 208V	6	6	6					2	2	2
	2195601	8" Surface Element 240V	6	6	6					2	2	2
	2602399	8" Ring Assembly	6	6	6					2	2	2
	2195301	Reflector Pans 8"	6	6	6					2	2	2
	2195700	Split Terminal Block (Large)	6	6	6					2	2	2
	2627700	Terminal Block Clip	12	12	12					4	4	4
	CK102-208	8" Complete Surface Element Kit 208V	6	6	6					2	2	2
	CK102-240	8" Complete Surface Element Kit 240V	6	6	6					2	2	2
3	G01574-1	Buss Bar 5/16 x 7/8	6	6	6					2	2	2
4	G1030-01-9	12" Top Assembly (2 holes)								1	1	1
	G1028-01-9	36" Top Assembly (6 holes)	1	1	1							
5	G2700-1-91	Backguard Brackets R/H	1	1	1	1	1	1	1	1	1	1
6	G2701-36-9	Backguard Front (Louver)	1	1	1	1	1	1	1	1	1	1
7	G2702-36-8	Backguard Back	1	1	1	1	1	1	1	1	1	1
8	G01815-1	Element Inner 208V, 875W				6	6	6	4	4	4	4
	G01815-2	Element Inner 240V, 875W				6	6	6	4	4	4	4
9	G01814-1	Element Outer 208V, 1125W				6	6	6	4	4	4	4
	G01814-2	Element Outer 240V, 1125W				6	6	6	4	4	4	4
10	G01835-1-6	Element Clamp				6	6	6	4	4	4	4
11	G01834-1-6	Element Baffle				3	3	3	2	2	2	2
12	GM303	Insulation 22 x 11x 2				3	3	3	2	2	2	2
13	G01833-1-6	Element Cover				3	3	3	2	2	2	2
14	G2700-1-92	Backguard Brackets L/H	1	1	1	1	1	1	1	1	1	1
15	G2553-01-8P	36" Back Top Assembly	1	1	1	1	1	1	1	1	1	1
16	G1060-1-8	Burner Box Back	1	1		1	1		1	1		
17	G1069-1-6	Drip Chute	2	2	2	2	2	2	2	2	2	2
19	G01976-01-7	Grease Diverter Assembly	1	1	1	1	1	1	1	1	1	1
20	G01977-1-7	Wire Guard	3	3	3	3	3	3	3	3	3	3
21	G1059-1-82	Burner Box Side L/H	1	1		1	1		1	1		
	G1059-1-92	Burner Box Side S/S	1	1		1	1		1	1		
22	G2552-01-8P	36" Front Top Assembly	1	1	1	1	1	1	1	1	1	1
23	G1051-1-72	Drip Tray Slide L/H	2	2	2	2	2	2	2	2	2	2
24	G01876-01-7	Switch Guard Assembly	1	1	1	1	1	1	1	1	1	1
25	G1051-1-71	Drip Tray Slide R/H	2	2	2	2	2	2	2	2	2	2
26	G2539-02-6	Grease Chute Assembly	2	2	2	2	2	2	2	2	2	2
27	G01296-2	Pilot Amber	1			1			1			
28	G01165-013-9	Switch Panel Assembly		1	1		1	1		1	1	
	G01165-011-9	Switch Panel Assembly	1			1			1			
29*	G1555-1	Front I.D. Plate	3	3	3	3	3	3	3	3	3	3

\* NOT ILLUSTRATED

**RECOMMENDED STOCK PARTS**

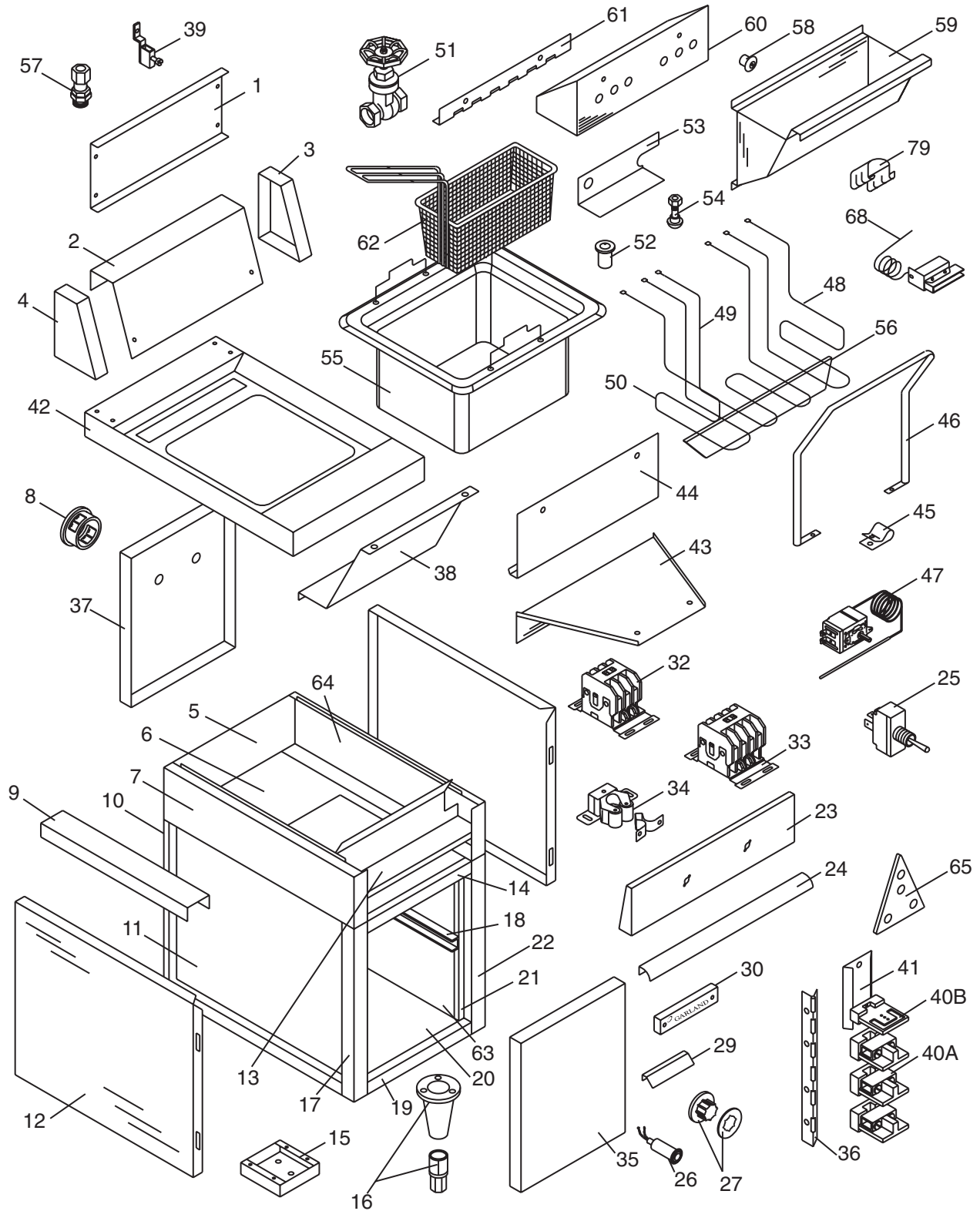
**GARLAND PARTS IDENTIFICATION**  
**Heavy Duty Range Surface Plate Sections**  
**Used From Serial # 19233**

ITEM	PART #	DESCRIPTION	QUANTITY								
			10 SERIES								
			-16R	-16S	-16T	-17R	-17S	-17T	-21R	-21S	-21T
30*	<a href="#">G1555-2</a>	Rear I.D. Plate	3	3	3	3	3	3	3	3	
31*	<a href="#">G1555-4</a>	Top I.D. Plate	1			1			1		
32*	<a href="#">G1555-3</a>	Bottom I.D. Plate	1			1			1		
33	<a href="#">G1035-1</a>	Dial HI-MED-LOW	8	6	6	8	6	6	8	6	
34	<a href="#">G02716-1</a>	Dial - (Universal) Small Shaft	1			1			1		
35	<a href="#">G02725-9</a>	Dial Insert OFF/65C/290C) Oven Celsius	1			1			1		
	<a href="#">G02725-17</a>	Dial Insert (OFF/150F/550F) Oven F	1			1			1		
36	<a href="#">G02667-1</a>	3 Heat Switch From Serial # 32037	8	6	6	8	6	6	8	6	
	CK114	3 Heat Switch Kit Up to Serial # 32036	8	6	6	8	6	6	8	6	
	<a href="#">G2088</a>	3 Heat Switch hi-Voltage	8	6	6	8	6	6	8	6	
37	<a href="#">G0894-01</a>	Oven Thermos	1			1			1		
38	G1059-1-81	Burner Box Side R/H	1	1		1	1		1	1	
	G1059-1-91	Burner Box Side S/S	1	1		1	1		1	1	
39	<a href="#">G0912-1</a>	Thermal Relay-Normally Open	1			1			1		
40	<a href="#">G0939-1-8</a>	Relay Mounting Bracket	1			1			1		
41A	G1836-6	Drip Tray Handle L/H 17.875"	1	1	1	1	1	1	1	1	
41B	G1836-7	Drip Tray Handle R/H 17.875"	1	1	1	1	1	1	1	1	
42	<a href="#">G1063-01-8</a>	Drip Tray Assembly	2	2	2	2	2	2	2	2	
43	<a href="#">G02039-1-7</a>	Drip Tray Guide Extension	1	1	1	1	1	1	1	1	

\* NOT ILLUSTRATED

**RECOMMENDED STOCK PARTS**

## ***NOTES***



## GARLAND PARTS IDENTIFICATION

### Heavy Duty Electric Fryers 10-31

ITEM	PART #	DESCRIPTION	10-31 SERIES MODEL			
			QUANTITY			
			F	SF	FBL	SFBL
1	<a href="#">G2702-20-8</a>	Backguard Back	1	1	1	1
2	<a href="#">G2720-20-9</a>	Backguard Front	1	1		
3	<a href="#">G2700-1-91</a>	Backguard Brackets R/H	1	1		
4	<a href="#">G2700-1-92</a>	Backguard Brackets L/H	1	1		
5	G1060-7-8	Burner Box Back	1	1	1	1
6	G01056-1-7	Burner Box Bottom	1	1	1	1
7	G0487-1-82	Side Burner Box L/H	1	1	1	1
	G0487-1-92	Burner Box S/S	1	1	1	1
8	<a href="#">G01487-5</a>	Heyco Bushing 1-5/16 ID	1	1	1	1
9	G01067-1-7	Wire Guard	1	1	1	1
10	G01099-01-8	Body Back Assembly	1	1	1	1
11	G01057-1-82	Side Liner L/H	1	1	1	1
12	G01088-1-8	Body Side	2	2	2	2
	G01088-1-9	Body Side S/S	2	2	2	2
13	<a href="#">G03240-1-7</a>	Switch Guard	1	1	1	1
14	G1057-03-9	Front Finishing Channel Assy	1	1	1	1
15	<a href="#">2167700</a>	Base Corner	4	4	4	4
16	<a href="#">1150502</a>	Bullet Legs	4	4	4	4
	<a href="#">1027600</a>	Leg Retainer 6"	4	4	4	4
	<a href="#">2093800</a>	Leg Retainer 4"	4	4	4	4
	<a href="#">F445</a>	Leg Screw #14BX5/8" Hex Washer HD Zinc	12	12	12	12
17	G01066-1-92	Corner Column L/H	1	1	1	1
18	G1911-1-8	Rack Slide	2	2	2	2
19	G01070-3-9	Lower Front Channel	1	1	1	1
20	G01050-02-8	Main Bottom Assembly	1	1	1	1
21	G01051-01-8	Front Frame Assembly	1	1	1	1
22	G01066-1-91	Corner Column R/H	1	1	1	1
23	G03242-1-9	Switch Panel	1	1		
	G03242-2-9	Switch Panel			1	1
24	G1836-2	Handle 19.875"	1	1	1	1
25	<a href="#">G02320-1</a>	Toggle Switch From Serial # 31815	1	1	1	1
	<a href="#">G01864-1</a>	Toggle Switch Up to Serial # 31814	1	1	1	1
26	<a href="#">G01296-2</a>	Pilot Amber	1	1	1	1
	<a href="#">G01296-3</a>	Pilot Green	1	1	1	1
	<a href="#">G01296-1</a>	Pilot Red	1	1	1	1
27	<a href="#">G02716-1</a>	Dial - (Universal) Small Shaft	1	1	1	1
	<a href="#">G02725-20</a>	Dial Insert (OFF/200F/375F)	1	1	1	1
	<a href="#">G02725-12</a>	Dial Insert (OFF/95C/190C)	1	1	1	1
29	<a href="#">2533900</a>	Door Handle	1	1	1	1
30	1902918	Nameplate - GARLAND 7 3/4	1	1	1	1
31*	G03241-1-7	Contactator Support	1	1	1	1
32	<a href="#">1489701</a>	Contactator 3 Pole 208/240V 40A	1	1	1	1
33	<a href="#">1489801</a>	Contactator 4 Pole 208/240V 40A	1	1	1	1
34	<a href="#">2671600</a>	Catch-Double Roller #603-2G	1	1	1	1
35	2175100	Fryer Door Panel 17.000	1	1	1	1
36	G2747-1-8P	Cabinet Door Hinge Plated	1	1	1	1

\* NOT ILLUSTRATED

**RECOMMENDED STOCK PARTS**

## GARLAND PARTS IDENTIFICATION

### Heavy Duty Electric Fryers 10-31

ITEM	PART #	DESCRIPTION	10-31 SERIES MODEL			
			QUANTITY			
			F	SF	FBL	SFBL
37	G1300-01-8	Door Lining Assembly	1	1	1	1
38	G01081-1-7	Thermal Block Cover	1	1	1	1
39	G01499-1	Ground Terminal 105A Large SLU-70	1	1	1	1
40 A	G01268-1	Terminal Block #824	3	3	3	3
		Export Only	5	5	5	5
40B	G01268-2	Terminal Block End #830	1	1	1	1
		Export Only	1	1	1	1
41	G01280-3-7	Terminal Block Channel 3 LUG	1	1	1	1
	G01280-5-7	Terminal Block Channel 5 LUG Export	1	1	1	1
42	G0575-01-8P	Main Top Assembly Plated	1	1	1	1
43	G1542-1-7	Drip Tray	1	1	1	1
44	G1274-1-7	Shield	1	1	1	1
45	F300	Clip-Tinnerman	2	2	2	2
46	G02099-1	Element Lifting Handle NI PLT	1	1	1	1
47	G02319-01	Fryer Thermostat 200F-375F 4 Terminal From Serial # 31815	1	1	1	1
	G01894-01	Thermostat 2 Terminal Up to Serial # 31814	1	1	1	1
48	G1551-1	Element R/H 208V, 4 KW	1		1	
	G1551-3	Element R/H 240V, 4 KW	1		1	
	G1551-11	Element R/H 208V, 4.5KW		1		1
	G1551-13	Element R/H 240V, 4.5KW		1		1
49	G1550-1	Element Center 208V, 4KW	1		1	
	G1550-2	Element Center 240V, 4KW	1		1	
	G0476-01	Element Center 208V, 7KW		1		1
	G0476-02	Element Center 240V, 7KW		1		1
50	G1551-2	Element L/H 208V, 4KW	1		1	
	G1551-4	Element L/H 240V, 4KW	1		1	
	G1551-12	Element L/H 208V, 4.5KW		1		1
	G1551-14	Element L/H 240V, 4.5 KW		1		1
51	G2941-1P	Valve 1" Gate - Plated	1	1	1	1
52	G02156-1	Rotating Head Latch Return	1	1	1	1
53	G02154-1-9	Rotating Head Latch	1	1	1	1
54	F298	Bolt-10-24x243/8 SHLDR Truss HD	1	1	1	1
	F97	10-24 Hex Nylon Locknut	1	1	1	1
55	G02692-01-8P	Fry Tank Assembly (Plated) W/Drain	1	1	1	1
	G02692-02-8P	Fry Tank Assembly (Plated) No Drain	1	1	1	1
56	G1570-1-9	Tie Bar Support	1	1	1	1
57	G1156-1	Straight Thru Fitting	6	6	6	6
58	G1155-1	Black PVC Grommet	2	2	2	2
59	G0547-01-8	Rotating Head Assembly	1	1	1	1
60	G1565-1-8P	Element Panel Support Plated	1	1		
	G1565-02-8P	Element Panel Support Assembly			1	1
61	G0548-1-8P	Rotating Head Hinge Plated	1	1	1	1
62	G02698-1	Basket Twin R/H	1	1		
	G02698-2	Basket Twin L/H	1	1		
	G01075-1-8	Twin Basket E18BL 10-31BL			2	2
	G02699-1	Basket Single Optional	1	1		

\* NOT ILLUSTRATED

#### **RECOMMENDED STOCK PARTS**

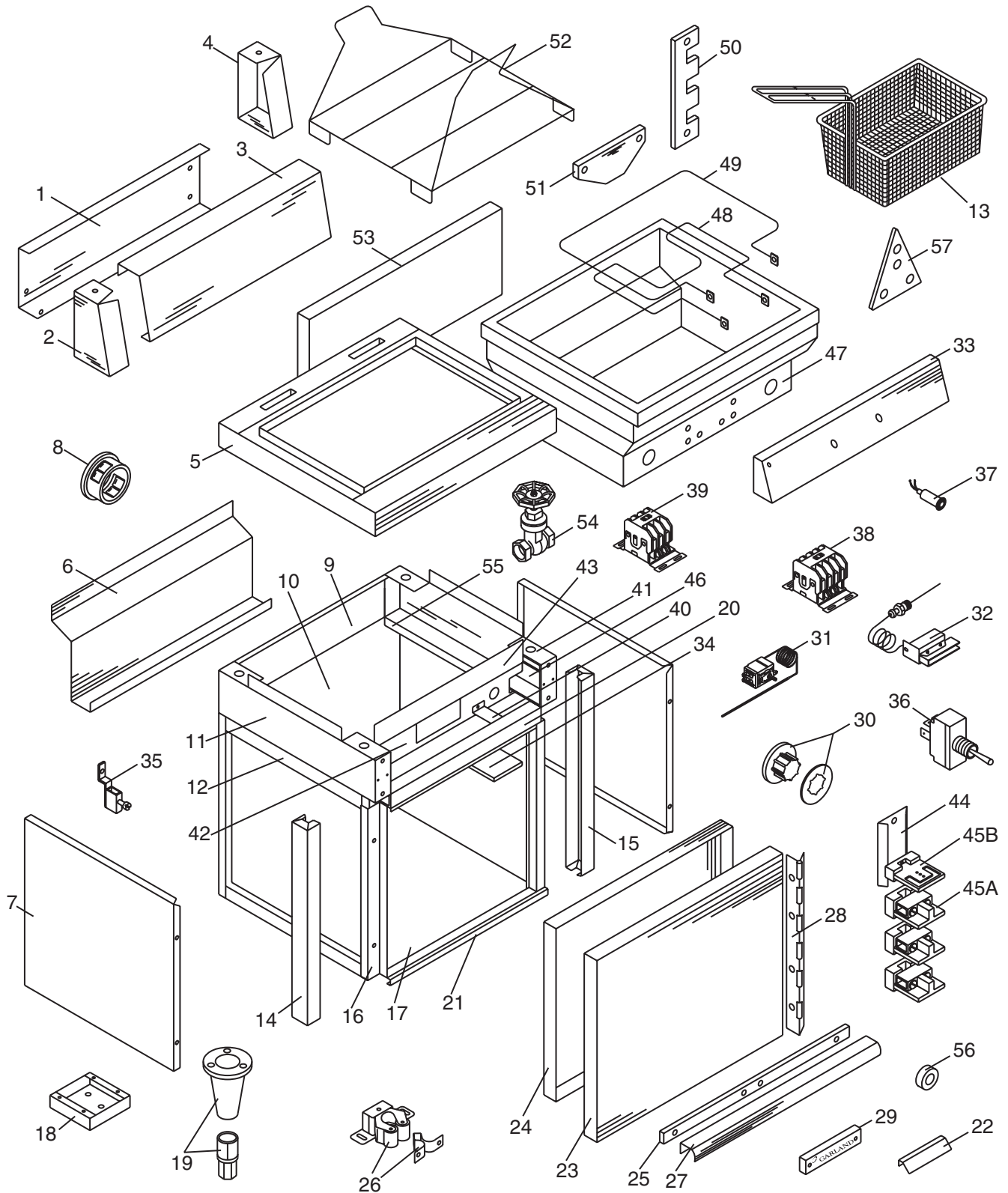
## GARLAND PARTS IDENTIFICATION

### Heavy Duty Electric Fryers 10-31

ITEM	PART #	DESCRIPTION	10-31 SERIES MODEL			
			QUANTITY			
			F	SF	FBL	SFBL
63	G01057-1-81	Side Liner	1	1	1	1
64	G0487-1-81	Burner Box R/H	1	1	1	1
	G0487-1-91	Burner Box S/S	1	1	1	1
65	<a href="#">G02500-1</a>	Pilot & Switch H.I.D. Plate	1	1	1	1
67*	G03239-1-7	Back Wire Guard	1	1		
68	<a href="#">2113600</a>	Hi Limit Thermostat	1	1	1	1
69*	<a href="#">G0599-1-9</a>	Frytank Cover Optional	1	1		
	G0599-2-9	Fry Pot Cover Basket Lift (Optional)			1	1
70*	G2115-1-9	Fish Plate (Optional)	1	1	1	1
71*	G01136-2	Motor 208/240V			2	2
72*	<a href="#">G01137</a>	Micro Switch			2	2
73*	G01062-1-8P	Lift Rod Plated			2	2
74*	G01076-01-81P	Basket Lift Arm RT			1	1
	<a href="#">G01076-01-82P</a>	Basket Lift Arm LT			1	1
75*	<a href="#">G01061-2-7</a>	Drive Bar			2	2
76*	<a href="#">G01103-1</a>	Bell Crank			2	2
77*	<a href="#">G02721</a>	Timer 208/240			2	2
78*	<a href="#">G03688-1</a>	Dial 15 Minutes Std.			2	2
	<a href="#">G03688-2</a>	Dial 18 Minutes (EXPORT)			2	2
79	F139	Clamp Tinnerman	4	4	4	4

\* NOT ILLUSTRATED

***RECOMMENDED STOCK PARTS***



HEAVY DUTY FRYER 10-70.DWG  
REV.0



## GARLAND PARTS IDENTIFICATION

### Series Heavy Duty Fryers 10-70F

ITEM	PART #	DESCRIPTION	MODEL
			QUANTITY
			10-70F
1	<a href="#">G2702-24-8</a>	Backguard Back	1
2	<a href="#">G2700-1-92</a>	Backguard Brackets L/H	1
3	<a href="#">G2720-24-9</a>	Backguard Front	1
4	<a href="#">G2700-1-91</a>	Backguard Brackets R/H	1
5	G2559-01-8P	Main Top Assembly	1
6	G2448-1-7	Rear Insulation Cover	1
7	G01088-1-8	Body Side	2
	G01088-1-9	Body Side S/S	2
8	<a href="#">G01487-1</a>	PDQ Bushing	1
9	G1060-9-8	Burner Box Back	1
10	G01117-1-8	Body Back	1
11	G2483-1-82	Burner Box Side L/H	1
	G2483-1-92	Burner Box Side L/H	1
12	G01113-1-82	Side Lining L/H	1
13	<a href="#">G2432-2</a>	Basket L/H	1
	<a href="#">G2432-1</a>	Basket R/H	1
14	G01066-1-92	Corner Column L/H	1
15	G01066-1-91	Corner Column R/H	1
16	G01051-02-8	Front Frame Assembly	1
17	G01050-1-8	Main Bottom	1
18	<a href="#">2167700</a>	Base Corner	4
19	<a href="#">1027600</a>	Leg Retainer 6"	4
	<a href="#">2093800</a>	Leg Retainer 4"	4
	<a href="#">F445</a>	Leg Screw #14Bx5/8" Hex Washer HD Zinc	12
	<a href="#">1150502</a>	Bullet Legs	4
20	G1057-04-9	Front Finishing Channel Assy	1
21	G01070-4-9	Lower Front Channel	1
22	<a href="#">2533900</a>	Door Handle	1
23	2175101	Fryer Door Panel 21.000	1
24	G1300-03-8	Door Lining Assembly	1
25	G03251-1-6	Trim Strip Extension	1
26	<a href="#">2671600</a>	Catch-Double Roller #603-2G	1
27	<a href="#">G1836-8</a>	Handle 23.937"	1
28	G2747-1-8P	Cabinet Door Hinge Plated	1
29	1902918	Nameplate - GARLAND 7 3/4	1
30	<a href="#">G02716-1</a>	Dial - (Universal) Small Shaft	1
	<a href="#">G02725-20</a>	Dial Insert (OFF/200F/375F)	1
	<a href="#">G02725-12</a>	Dial Insert (OFF/95C/190C)	1
31	G2545	Thermostat Up to Serial # 31814	1
	<a href="#">G03273</a>	Thermostat From Serial # 31815	
32	<a href="#">2113700</a>	Hi Limit Thermostat	1
33	G03243-1-9	Switch Panel	1
34	G1093-3-7	Terminal Cover	1
35	<a href="#">G01499-1</a>	Ground Terminal 105A Large SLU-70	1

\* NOT ILLUSTRATED

#### **RECOMMENDED STOCK PARTS**

## GARLAND PARTS IDENTIFICATION

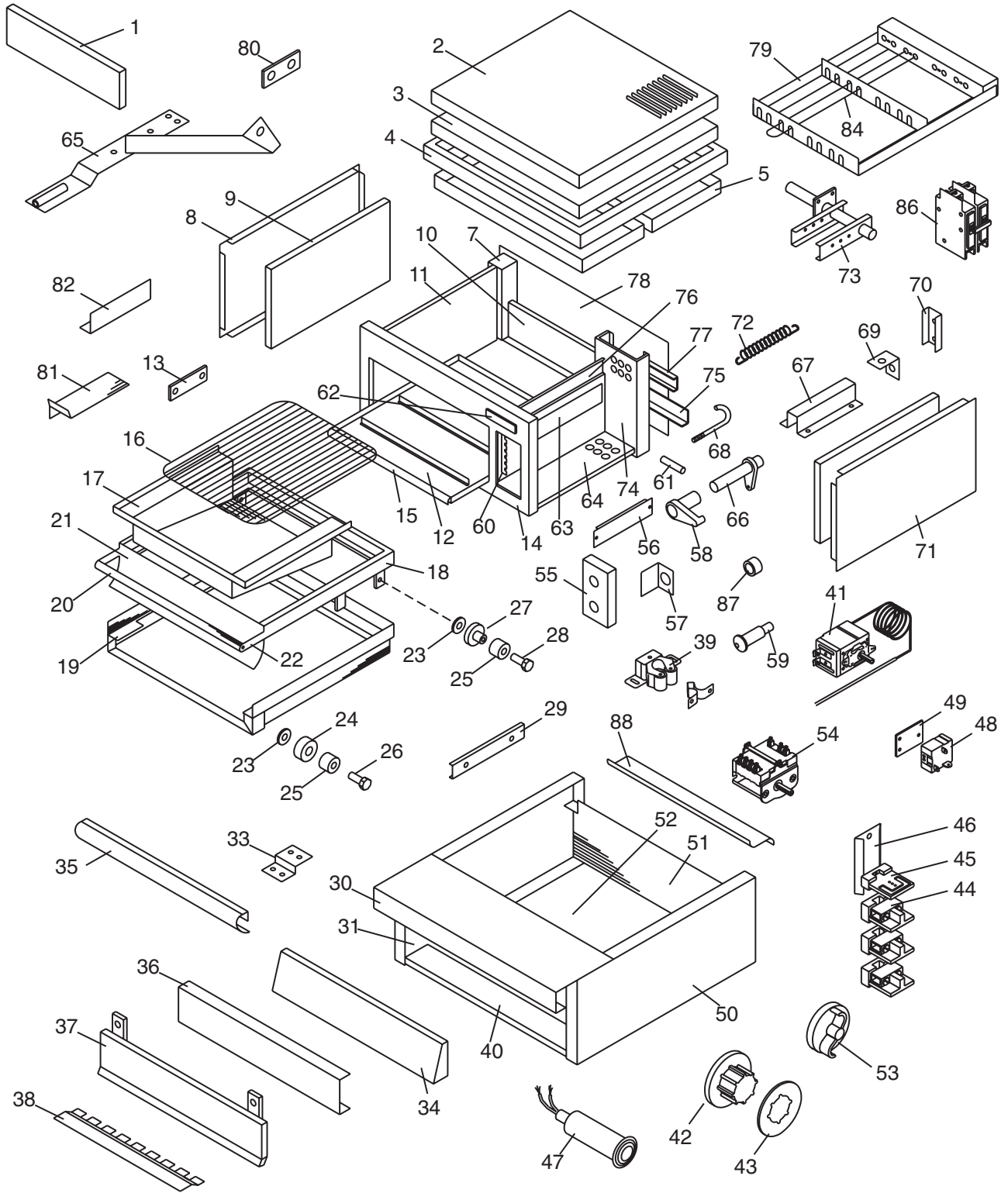
### Series Heavy Duty Fryers 10-70F

ITEM	PART #	DESCRIPTION	MODEL
			QUANTITY
			10-70F
36	G01864-1	Toggle Switch Up to Serial # 31814	1
	G02320-1	Toggle Switch From Serial # 31815	1
37	G01296-1	Pilot Red	1
	G01296-2	Pilot Amber	1
	G01296-3	Pilot Green	1
38	1489801	Contactora 4 Pole 208/240V 40A	1
39	1489701	Contactora 3 Pole 208/240V 40A	2
40	G2486-1-7	Terminal Block Bridge	1
41	G2483-1-81	Burner Box Side R/H Std.	1
	G2483-1-91	Burner Box Side R/H S/S	1
42	G2444-01-6	Wiring Compartment Assembly	1
43	G2447-01-6	Front Baffle Assembly	1
44	G01280-3-7	Terminal Block Channel 3 LUG	1
45A	G01268-1	Terminal Block # 824	3
45B	G01268-2	Terminal Block End # 830	1
46	G03244-1-7	Contactora Support Bracket	2
47	G2435-01-9	Frytank Assembly	1
48	G2455A1	Element Bottom 240V, 5.6 KW	1
	G2455A2	Element Bottom 208V, 5.6 KW	1
49A	G2456A1	Element Fryer 240V, 4.8 KW	2
	G2456A2	Element Fryer 208V, 4.8 KW	2
49B	G02697-A1	Top Element 240V 4.8KW W/Clamps	1
	G02697-A2	Top Element 208V 4.8KW W/Clamps	1
50	G2452-1-9	Element Clamp	2
51	G2470-1-9	Tie Bar Support	1
52	G2433A1	Screen Assembly Nickel	1
53	1472200	Side Insulation G280	1
54	G2941-1P	Valve 1" Gate - Plated	1
55	G01113-1-81	Side Lining R/H	1
56*	G01468-1	Teflon Gasket 1 ODx5/8IDx1/32	8
57	G02500-1	Pilot & Switch H.I.D. Plate	1
58*	G2585-1-9	Frytank Cover (Optional)	1
59*	G2741-01-9	Fish Plate Assembly (Optional)	1

\* NOT ILLUSTRATED

#### **RECOMMENDED STOCK PARTS**

# ***NOTES***



## GARLAND PARTS IDENTIFICATION

### Heavy Duty Electric Broilers

ITEM	PART #	DESCRIPTION	MODEL							
			QUANTITY							
			10-33 1T	10-33 2T	10-33 1S	10-33 2S	10-33 1R	10-33 2R	10-33	
1	G1374-01-8	Flue Assembly Std	1	1	1	1	1	1	1	1
2	G2589-01-9	Main Top Assembly	1	2	1	2	1	2	1	1
3	GM2	Top Insulation 3.5 x 22.5 x 2.5	1	2	1	2	1	2	1	1
4	G1335-01-8	Top Lining Assembly	1	2	1	2	1	2	1	1
5	G1337-01-6	Reflector Pan Assembly	2	4	2	4	2	4	2	2
6*	G1360-1-8	Side Support L/H	1	2	1	2	1	2	1	1
7	G1349-01-8	Bearing Support Assembly L/H	1	2	1	2	1	2	1	1
8	G1363-1-82	Body Side L/A	1	2	1	2	1	2	1	1
9	1472200	Side Insulation G280	1	2	1	2	1	2	1	1
10	G1350-01-8E	Back Inner Lining Assembly	1	2	1	2	1	2	1	1
11	G1331-01-82E	Inner Side Lining Assembly L/H	1	2	1	2	1	2	1	1
12	G1368-01-8	Drip Tray Assembly	1	2	1	2	1	2	1	1
13	G1370-1-9	Extrusion Cover Plate	1	2	1	2	1	2	1	1
14	G0588-01-1	Main Front Assembly	1	2	1	2	1	2	1	1
15	1685302	Drip Tray Handle	1	2	1	2	1	2	1	1
16	G1319A1	Grill Rack Assembly	1	2	1	2	1	2	1	1
17	G01306-1-6	Grease Chute	1	2	1	2	1	2	1	1
18	G01304-01-5	Rack Frame Assembly	1	2	1	2	1	2	1	1
19	G01307-01-5	Carriage Assembly Sand Blasted I/P	1	2	1	2	1	2	1	1
20	G01904-04-9	Handle Assembly	1	2	1	2	1	2	1	1
21	G01308-1-9	Rack Front Veneer	1	2	1	2	1	2	1	1
22	G02149-1-9	Handle End	2	4	2	4	2	4	2	2
23	G01247-1-8	Washer Bearing	2	4	2	4	2	4	2	2
24	G01244-1	1 11/16 x 1/2 Roller Bearing	4	8	4	8	4	8	4	4
25	G01247-2	Front Bearing Busing	2	4	2	4	2	4	2	2
26	F157	Bolt -3/8-16x1 1/16 Leg Level	2	4	2	4	2	4	2	2
27	G01247-3	Rear Bushing	2	4	2	4	2	4	2	2
28	G6424	Leveling Glider Bolt Hex 3/8-16 x 2	2	4	2	4	2	4	2	2
29	G1356-1-5	Upper Frame Support	2	4	2	4	2	4	2	2
30	1200699	Front Top Weld Assembly	1	1	1	1	1	1	1	
31	1277601	Burner Box Side Supt	1	1	1	1	1	1	1	
32*	G1087-2-72	Burner Box Bottom Support L/H	1	1						
	G1087-2-71	Burner Box Bottom Support R/H	1	1						
33	G1972-1-7	Catch Support	1	1						
34	G01165-01-9	Switch Panel Assembly	1	1	1	1				
	G01165-02-9	Switch Panel Assembly				1	1			
35	G1836-5	Handle 35.937"	1	1	1	1	1	1	1	1
36	G02064-1-7	Circuit Breaker Cover	2	2						
37	G2734-036-9	Fuse Cover Assembly	1	1						
38	G2699-5-7	Circuit Breaker Clamp			2	2	2	2		
	G01288-1-7	Clamp (Export)			1	1	1	1		
39	2671600	Catch-Double Roller# 603-2G	1	1						
40	G02060-01-7	Wire Compartment Assembly	1	1						
41	G0894-01	Oven Thermostat 150F To 550F				1	1			
42	G02716-1	Dial - (Universal) Small Shaft				1	1			

\* NOT ILLUSTRATED

#### **RECOMMENDED STOCK PARTS**

## GARLAND PARTS IDENTIFICATION

### Heavy Duty Electric Broilers

ITEM	PART #	DESCRIPTION	MODEL						
			QUANTITY						
			10-33 1T	10-33 2T	10-33 1S	10-33 2S	10-33 1R	10-33 2R	10-33
43	G02725-17	Dial Insert (OFF/150F/550F) Oven F				1	1		
	G02725-9	Dial Insert (OFF/65C/290C) Oven Celsius				1	1		
44	G01269-1	Terminal Block						1	
	G01268-1	Terminal Block #824	3	3	3	3	3	3	3
	G01268-1	Terminal Block #824	4	4	4	5	5	5	
45	G01268-2	Terminal Block End #830	1	1	1	1	1	1	1
	G01268-2	Terminal Block End #830	1	1	1	1	1	1	
46	G01280-3-7	Terminal Block Channel 3 LUG	1	1	1	1	1	1	1
	G01280-4-7	Terminal Block Channel 4 LUG	1	1	1				
	G01280-5-7	Terminal Block Channel 5 LUG Export				1	1	1	
47	G01296-2	Pilot Amber					1	1	
48	G0912-1	Thermal Relay-Normally Open					1	1	
49	G0939-1-8	Relay Mounting Bracket					1	1	
50	G1383-1-8	Burner Box Side R/H			1	1	1	1	
51	G02061-2-8	Main Back	1	1					
	G1060-1-8	Burner Box Back			1	1	1	1	
52	G1091-02-7	Burner Box Bottom Assembly	1	1					
53	G1035-1	Dial HI-MED-LOW	2	4	2	4	4	6	2
54	G02667-1	3 Heat Switch	2	4	2	4	4	6	2
	CK114	3 Heat Switch Kit	2	4	2	4	4	6	2
55	G0611-1-9	Switch Panel	1	2	2	1	2	1	
56	G2569-1-7	Wire Support Channel	1	2	1	2	1	2	1
57	G01930-03-7	Wire Way Assembly	1	2	1	2	1	2	1
58	G0772-2	Handle	1	2	1	2	1	2	1
59	1160797	Pilot Light - Red 24V	2	4	2	4	2	4	2
60	G2341-1-8	Ratchet Support	1	2	1	2	1	2	1
61	G01526-1	Roll Pin 5/32 x 3/4	1	2	1	2	1	2	1
62	1902918	Nameplate - GARLAND 7 3/4	1	2	1	2	1	2	1
63	G2312-1-6	Heat Reflector	1	2	1	2	1	2	1
64	G1390-01-8	Main Bottom Assembly	1	2	1	2	1	2	1
65	G2346-01-8	Broiler Handle Assembly	1	2	1	2	1	2	1
66	G2473-02-8P	Rod & Cam Assembly Plated	1	2	1	2	1	2	1
67	G2343-1-7	Spring Guard	1	2	1	2	1	2	1
68	G2782-2-8	Hook Bolt	1	2	1	2	1	2	1
69	G1373-1-7	Spring Angle Bracket	1	2	1	2	1	2	1
70	G2345-1-7	Bracket Support	1	2	1	2	1	2	1
71	G1363-1-81	Body Side R/H	1	2	1	2	1	2	1
72	G2344-1	Broiler Spring	1	2	1	2	1	2	1
73	G1343-01-8	Rack Arm Support Assembly	1	2	1	2	1	2	1
74	G1348-01-8	Bearing Support Assembly R/H	1	2	1	2	1	2	1
75	G1340-1-6	Heat Reflector	1	2	1	2	1	2	1
76	G1331-01-81E	Inner Side Lining Assembly R/H	1	2	1	2	1	2	1
77	G1365-1-6	Heat Baffle	1	2	1	2	1	2	1
78	1218100	Main Back	1	2	1	2	1	2	1
79	G2292-01-6	Broiler Element To Frame Assy	2	4	2	4	2	4	2

\* NOT ILLUSTRATED

**RECOMMENDED STOCK PARTS**

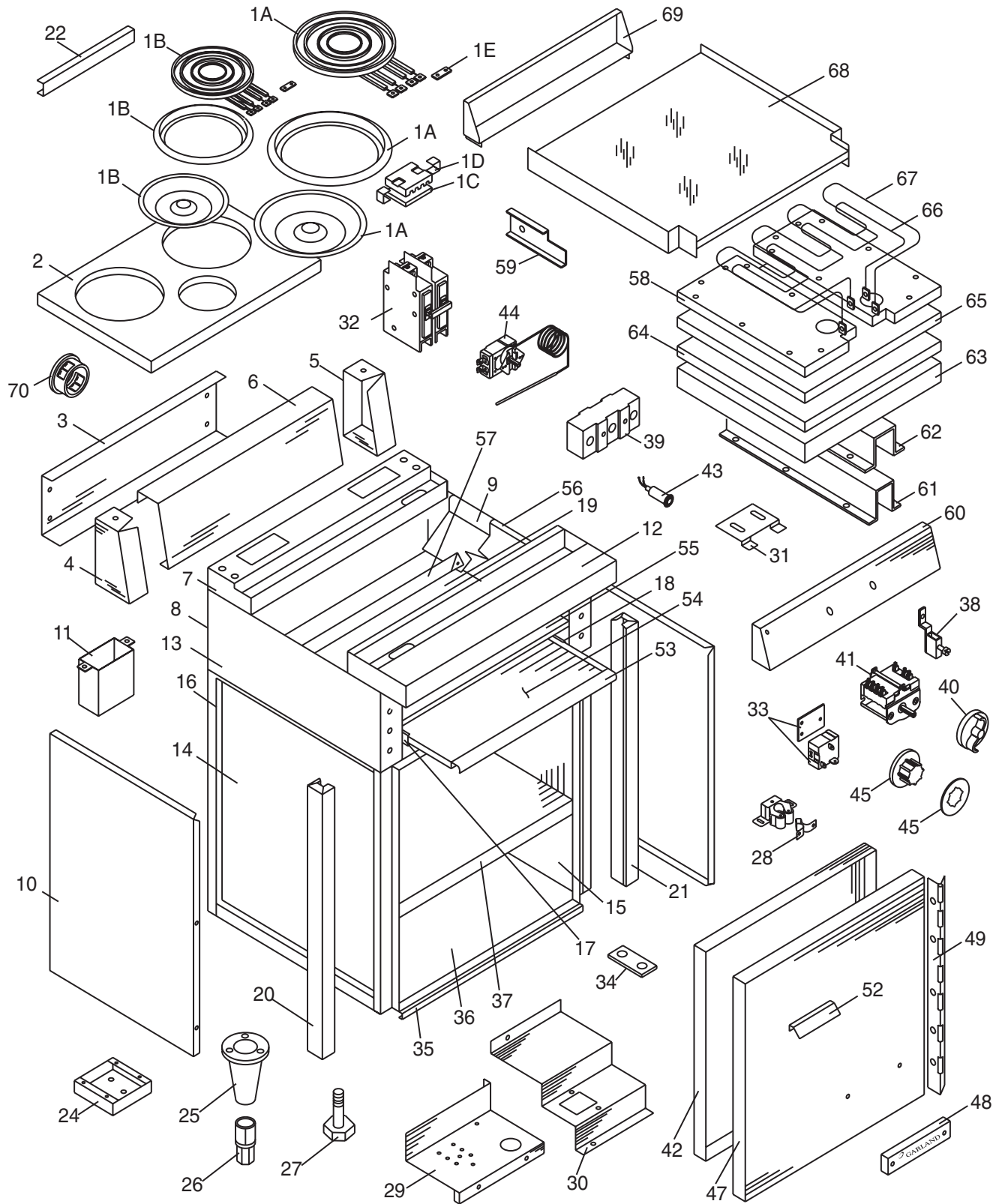
## GARLAND PARTS IDENTIFICATION

### Heavy Duty Electric Broilers

ITEM	PART #	DESCRIPTION	MODEL						
			QUANTITY						
			10-33 1T	10-33 2T	10-33 1S	10-33 2S	10-33 1R	10-33 2R	10-33
80	<a href="#">G2450-1-6</a>	Element Jumper	6	12	6	12	6	12	6
81	<a href="#">G2342-1-6</a>	Terminal Shield	1	2	1	2	1	2	1
82	<a href="#">G1377-1-7</a>	Terminal Cover	1	2	1	2	1	2	1
83*	Cuttings	Insulation 1x3x26	2	4	2	4	2	4	2
84	<a href="#">1032300</a>	Heater Element 208V 1.375KW	8	16	8	16	8	16	8
	<a href="#">1032301</a>	Heater Element 240 Volt - 1.5KW	8	16	8	16	8	16	8
85*	<a href="#">G1555-4</a>	Top I.D. Plate					1	1	
	<a href="#">G1555-3</a>	Bottom I.D. Plate					1	1	
86	<a href="#">G01771-1</a>	Circuit Breaker 2 Pole 40 AMP (Domestic)	2	4	2	4	3	5	
	<a href="#">G01478-1</a>	Circuit Breaker Export	4	2	2	4	3	5	
87	<a href="#">G01244-1</a>	1 11/16 X 1/2 Roller Bearing	4	8	4	8	4	8	4

\* NOT ILLUSTRATED

***RECOMMENDED STOCK PARTS***





**GARLAND PARTS IDENTIFICATION**  
**Heavy Duty Attachments**

ITEM	PART #	DESCRIPTION	MODEL		
			QUANTITY		
			10-28	10-28G	10-29
1A	2195600	8" Surface Element 208V			2
	2195601	88" Surface E" Surface Element 240V			2
	2602399	8" Ring Assembly			2
	2195301	Reflector Pans 8"			2
1B	2195500	6 1/2" Surface Element 208V			1
	2195501	6 1/2" Surface Element 240V			1
	2602499	6 1/2" Ring Assembly			1
	2195201	Reflector Pans 6"			1
1C	2195700	Split Terminal Block Large			3
1D	2627700	Terminal Block Clip			6
1E	G01574-1	Buss Bar 5/16 x 7/8			3
2	G1029-01-9	Insert Top Assembly 18"			1
3	G2702-18-8	Backguard Back	1	1	1
4	G2700-1-92	Backguard Brackets L/H	1	1	1
5	G2700-1-91	Backguard Brackets R/H	1	1	1
6	G2720-18-9	Backguard Front	1	1	1
7	G2553-02-8P	18" Back Top Assembly	1	1	1
8	G1060-2-8	Burner Box Back	1	1	1
9	G1069-1-6	Drip Chute	2	2	2
10	G01088-1-8	Body Side	2	2	2
	G01088-1-9	Body Side S/S	2	2	2
11	G2539-02-6	Grease Chute Assembly	2	2	2
12	G2552-02-8P	18 Top Front Assembly"	1	1	1
13	G1059-1-82	Burner Box Side L/H	1	1	1
	G1059-1-92	Burner Box Side S/S	1	1	1
14	G01054-1-82	Side Liner L/H	1	1	1
15	G01054-1-81	Side Liner R/H	1	1	1
16	G01116-2-8	Main Back	1	1	1
17	G1051-1-72	Drip Tray Slide L/H	1	1	1
18	G1051-1-71	Drip Tray Slide R/H	1	1	1
19	G01115-1-7	Burner Box Bottom	1	1	1
20	G01066-2-92	Corner Column L/H	1	1	1
21	G01066-2-91	Corner Column R/H	1	1	1
22	G1057-02-9	Front Finishing Channel Assy	1	1	1
23	G01112-01-8	Front Frame Assembly	1	1	1
24	2167700	Base Corner	4	4	4
25	2093800	Leg Retainer 4"	4	4	4
	1027600	Leg Retainer 6"	4	4	4
26	1150502	Bullet Legs	4	4	4
27	F445	Leg Screw #14Bx5/8" Hex Washer HD Zinc	12	12	12
28	2671600	Catch-Double Roller #603-2G	1	1	1
29	G01129-1-7	Circuit Breaker Support	1	1	1
30	G01130-1-7	Breaker Cover	1	1	1
31	G2740-1-7	Breaker Clamp	2	2	2
32	G01771-1	Circuit Breaker 2 Pole 40 AMP (Domestic)	1	1	1
	G01771-2	Circuit Breaker 1 Pole 40 AMP (Domestic)	1	1	1
	G01478-1	Circuit Breaker Export	1	1	1

\* NOT ILLUSTRATED

**RECOMMENDED STOCK PARTS**

## GARLAND PARTS IDENTIFICATION

### Heavy Duty Attachments

ITEM	PART #	DESCRIPTION	MODEL		
			QUANTITY		
			10-28	10-28G	10-29
33	G0912-1	Thermal Relay-Normally Open	1	1	
	G0939-1-8	Relay Mounting Bracket	1	1	
34	G1801-1-7	Circuit Breaker Cover Plate	1	1	1
35	G01070-2-9	Lower Front Channel	1	1	1
36	G01109-01-8	Main Bottom Assembly	1	1	1
37	G1101-2-8	Compartment Bottom	1	1	1
38	G01499-1	Ground Terminal 105A Large SLU-70	1	1	1
39	G1013-1	Terminal Block	1	1	
40	G1035-1	Dial HI-MED-LOW			3
41	G02667-1	3 Heat Switch From Serial # 32037			3
	CK114	3 Heat Switch Kit Up to Serial # 32036			3
42	G1476-01-8	Cabinet Door Lining Assembly	1	1	1
43	G01296-2	Pilot Amber	1	1	
44	G01859-01	All Purpose Thermostat 250F To 650F	1		
	G02075-01	All Purpose Thermostat 250F To 650F Export	1		
	G0893-01	Griddle Thermostat 100F To 450F		1	
45	G02716-1	Dial - (Universal) Small Shaft	1	1	
	G02725-13	Dial Insert (OFF/1/10) All Purpose	1		
	G02725-19	Dial Insert (OFF/100F/450F) Griddle F		1	
47	2175000	Door Panel RT 13.750	1	1	1
48	1902918	Nameplate - GARLAND 7 3/4	1	1	1
49	G2748-1-8P	Piano Hinge	1	1	1
50*	G1555-2	Rear I.D. Plate			1
51*	G1555-1	Front I.D. Plate			1
52	2533900	Door Handle	1	1	1
53	G1836-7	Drip Tray Handle R/H 17.875"	1	1	1
54	G1063-02-8	Drip Tray Assembly	1	1	1
55	G1118-01-7	Switch Guard Assembly	1	1	1
56	G1059-1-81	Burner Box Side R/H	1	1	1
	G1059-1-91	Burner Box Side S/S	1	1	1
57	G01977-2-7	Wire Guard	3	3	3
58	2179500	Element Clamp	4		
59	G02039-1-7	Drip Tray Guide Extension	1	1	1
60	G01164-03-9	Switch Panel Assembly	1	1	
	G01164-02-9	Switch Panel Assembly			1
61	G01849-1-6	Bulb Channel	1		
62	2206300	Bulb Clamp	1		
63	G01839-2-6	Element Cover	1		
64	1472306	Insulation 27x17-1/2x2	1		
65	G01838-2-6	Element Baffle	1		
66	G01802-1	Element Inner 208V,1.4KW	1	1	
	G01802-2	Element Inner 240V,1.4KW	1	1	
67	G01801-1	Element Outer 208V,1.6KW	1	1	
	G01801-2	Element Outer 240V,1.6KW	1	1	
68	G01848-01-8	18" All Purpose Plate Assembly (2) 1/2" Lips	1	1	
	CK118-208	18" All Purpose Plate Complete Kit	1	1	
	CK118-240	18" All Purpose Plate Complete Kit	1	1	
69	G02076-18-9	Splash Guard	1	1	
70	1028802	Heyco Bushing	2	2	2

\* NOT ILLUSTRATED

#### **RECOMMENDED STOCK PARTS**

# GARLAND PARTS IDENTIFICATION

## Revision History

REV. #	PAGE #	ITEM #	NOTE	DATE
1	20	40A, 40B	Changed Item Number Was 40	Jun 04/04
	24	43	Item Mislabeled as 44	

 **GARLAND**<sup>®</sup>