

# Electric Designer (ED, EDU) Series Counter Equipment

## Parts List

**Hotplates**

**Griddles**

**Broilers**

**Fryers**

**Food Warmers**



## Rating Plate Location

---

The Rating plate is readily visible by opening the enameled door located below the control panel.

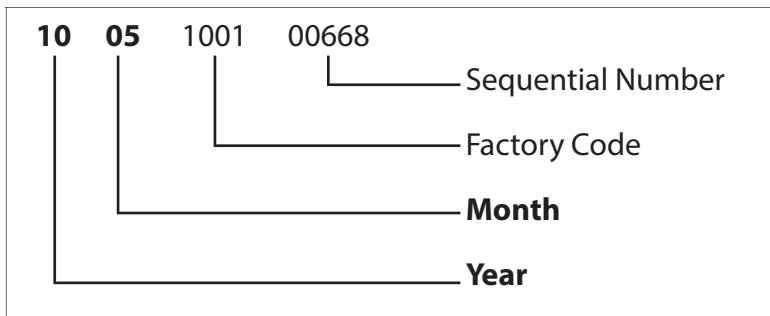


## Serial# - Year/Month Information

---

From June 2004 to Present:

The Serial Number is **13 Digits** long and is stamped on the Rating Plate.  
See "Rating Plate Location".

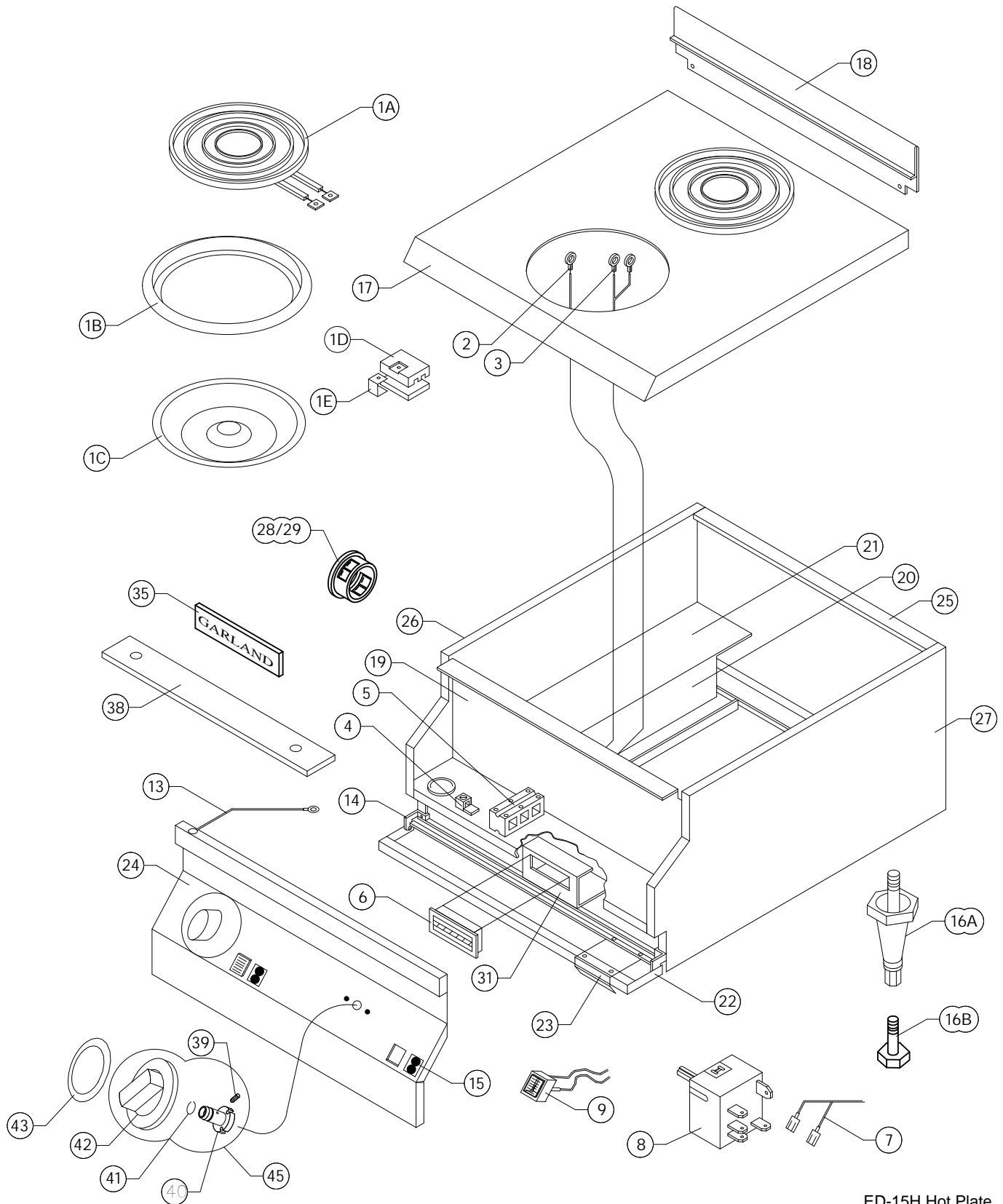




**Electric Designer (ED)  
Counter Equipment Series**  
Hotplates / Fryers / Griddles / Broilers

***Table of Contents***

Rating Plate Location, Serial# Information .....2  
Hot Plate — ED-15H.....4  
Hot Plates — ED-15HSE / ED-15THSE / EDU-15HSE .....8  
Griddles — ED-15G / ED-24G / ED-36G / EDU-15G / EDU-24G / EDU-36G ..... 12  
Broilers — ED-15B / ED-30B / ED-42B / EDU-15B / EDU-30B / EDU-42B ..... 16  
Food Warmer — ED-15W / EDU-15W / ED-15WP ..... 20  
Super Fryers — ED-15SF / ED-30SFT / EDU-18SF / EDU-36SFT..... 24  
Fryers — ED-15F / ED-30FT / EDU-18F / EDU-36FT..... 32  
Related Bulletins ..... 39  
Revision History..... 39



ED-15H Hot Plate

## GARLAND PARTS IDENTIFICATION

### Hot Plate ED-15H

ITEM	PART #	DESCRIPTION	MODEL ED-15H	DATE		CRITICAL
			QTY	FROM	UP TO	
1A	<a href="#">2195000</a>	<b>8" Surface Element 208V (2.1Kw)</b>	2			C
	<a href="#">2195001</a>	<b>8" Surface Element 240V (2.1Kw)</b>	2			C
	<a href="#">2195002</a>	<b>8" Surface Element 220V (2.1Kw)</b>	2			C
1B	<a href="#">2602399</a>	8" Ring Assembly	2			
1C	<a href="#">2195300</a>	8" Pan Reflector	2			
1D	<a href="#">2195800</a>	Split Terminal Block (Small)	2			
1E	<a href="#">2627700</a>	Terminal Block Clip	2			
2	<a href="#">2147703</a>	Ground Wire	2			
3	<a href="#">2148100</a>	Element Wire Harness	1			
4	<a href="#">G01500-1</a>	Ground Terminal 55 Amp	1			
5	<a href="#">2147300</a>	<b>Terminal Block 3 Circuit</b>	1			C
	<a href="#">2147302</a>	<b>Terminal Block 3 Circuit Export</b>	1			C
6	<a href="#">078174-1</a>	<b>Magnetic Door Catch</b>	1			C
7	<a href="#">2148000</a>	Primary Wires	1			
8	<a href="#">CKG03185-2</a>	<b>Infinite Switch-240 Volt</b>	2			C
9	<a href="#">2138504</a>	<b>Green Indicator Light (Obsolete, use <a href="#">CK4533015</a>)</b>	2		30-Apr-16	C
	<a href="#">CK4533015</a>	<b>Service Kit for Indicator Light 250V Green</b> Notes: Kit includes green rectangular 250V light 4533015 and green rectangular lens 4533016.	2	1-May-16		C
13	<a href="#">2147700</a>	Ground Wire	1			
14	<a href="#">2149400</a>	Door Hinge Right Hand	1			
	<a href="#">2149401</a>	Door Hinge Left Hand	1			
15	<a href="#">2150000</a>	Element Identification Plate	2			
16A	<a href="#">078109-2</a>	4" Adjustable Metal Leg	4			
16B	<a href="#">F157</a>	Leveling Bolt-3/8-16x1 1/16"	4			
16C*	<a href="#">G01503-10</a>	Leg Weld Nut	4			
17	<a href="#">2132699</a>	Main Top Assembly	1			
18	<a href="#">2168000</a>	Back Splash to 12/07/95	1		07-Dec-95	
	<a href="#">2385500</a>	Back Splash from 12/07/95	1	07-Dec-95		
19	<a href="#">2132798</a>	Control Shield Assembly	1		23-Feb-93	
	<a href="#">2132799</a>	Control Shield Assembly	1	23-Feb-93	04-Apr-94	
	<a href="#">2351899</a>	Control Shield Assembly	1	04-Apr-94		
20	<a href="#">2149600</a>	Wireway	1			
21	<a href="#">2156500</a>	Body Shield	1			
22	<a href="#">2149299</a>	Door Assembly 15"	1			
23	<a href="#">2149300</a>	Door Pull	1			
24	<a href="#">2137700</a>	Control Panel	1		4-Apr-94	
	<a href="#">2349600</a>	Control Panel	1	4-Apr-94		
25	<a href="#">2180900</a>	Body Back & Bottom	1			
	<a href="#">2180901</a>	Body Back & Bottom S/S	1			
26	<a href="#">2180699</a>	Body Side Assembly LH - Black (Code 9402CG0180)	1		21-Feb-94	
	<a href="#">2180698</a>	Body Side Assembly LH S/S (Code 9402CG0180)	1		21-Feb-94	
	<a href="#">2349498</a>	Body Side Assembly LH (Code 9402CG0181)	1	21-Feb-94		
	<a href="#">2349496</a>	Body Side Assembly LH (Code 9402CG0181)	1	21-Feb-94		
27	<a href="#">2180599</a>	Side Assembly RH - Black (Code 9402CG0180)	1		21-Feb-94	
	<a href="#">2180598</a>	Side - Right Assembly S/S (Code 9402CG0180)	1		21-Feb-94	
	<a href="#">2349499</a>	Body Side Assembly RH (Code 9402CG0181)	1	21-Feb-94		
	<a href="#">2349497</a>	Body Side Assembly RH (Code 9402CG0181)	1	21-Feb-94		
28	<a href="#">G01487-8</a>	Heyco Bushing 11/16 ID	1			
29	<a href="#">G01487-5</a>	Heyco Bushing 1-5/16 ID	1			
30*	<a href="#">2174500</a>	Joiner Tab	2			

\* NOT ILLUSTRATED

#### **RECOMMENDED STOCK PARTS**

## GARLAND PARTS IDENTIFICATION

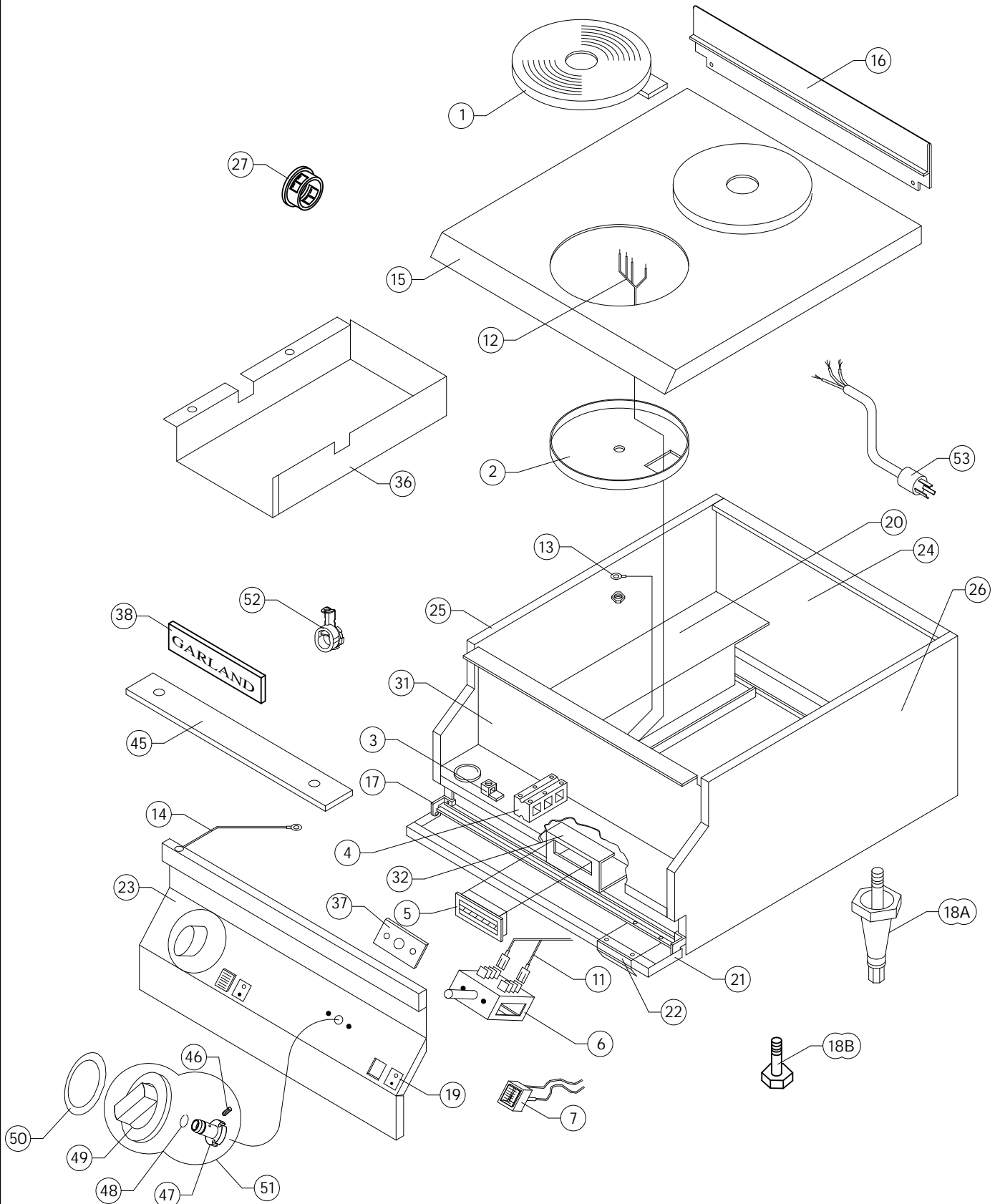
### Hot Plate ED-15H

ITEM	PART #	DESCRIPTION	MODEL ED-15H	DATE		CRITICAL
			QTY	FROM	UP TO	
31	2139600	Magnet Mounting Bracket to 5/07/91	1		7-May-91	
	2183500	Magnet Bracket from 5/07/91	1	7-May-91		
32*	2149800	Access Panel	1			
33*	2171400	Terminal Block Mounting Bracket	1			
34*	2139700	Control Panel Clip	2			
35	4529725	Garland Nameplate 4 7/8"	1			
36*	2146100	Wiring Diagram (Domestic) Ed-15H 208V				
37*	2146200	Wiring Diagram (Export) Ed-15H 220V				
38	2285999	Leg Channel Assembly 15"	2			
39	F561	10-32 - 3/16 Socket Head Screw	2			
40	3043207	Knob Hub	2			
41	3043300	Retaining Spring	2			
42	3043100	Dial	2			
43	2139000	Dial Insert	2			
45	4512224	Dial Kit – Includes Items: 39, 40, 41, 42				

\* NOT ILLUSTRATED

**RECOMMENDED STOCK PARTS**

Blank Page



ED-15HSE Hot Plate



## GARLAND PARTS IDENTIFICATION

### Hot Plates ED-15HSE, ED15THSE & EDU-15HSE

ITEM	PART#	DESCRIPTION	MODEL			DATE		CRITICAL
			QUANTITY			FROM	UP TO	
			ED-15HSE	ED-15THSE	EDU-15HSE			
1	<a href="#">2590200</a>	<i>Sealed Element 208 Tim Hortons Only</i>		2				C
	<a href="#">2590201</a>	<i>Sealed Element 220 Tim Hortons Only</i>		2				C
	<a href="#">2590202</a>	<i>Sealed Element 240 Tim Hortons Only</i>		2				C
	<a href="#">2147100</a>	<i>Sealed Element 208</i>	2		2			C
	<a href="#">2147101</a>	<i>Sealed Element 220</i>	2		2			C
	<a href="#">2147102</a>	<i>Sealed Element 240</i>	2		2			C
2	<a href="#">2147200</a>	Screening Sheet 237mm	2		2			
	<a href="#">2147201</a>	Screening Street 180mm Tim Hortons Only		2				
3	<a href="#">G01500-1</a>	Ground Terminal 55 Amp	1	1	1			
4	<a href="#">2147300</a>	<i>Terminal Block 3 Circuit</i>	1	1				C
	<a href="#">2147302</a>	<i>Terminal Block 3 Circuit Export</i>	1		1			C
5	<a href="#">078174-1</a>	<i>Magnetic Door Catch</i>	1	1	1			C
6	<a href="#">4523166</a>	<i>6-Heat Switch, cCSAus</i>	2	2	2			
	<a href="#">4523167</a>	<i>6 Heat Switch, CE</i>	2	2	2			C
7	<a href="#">2138504</a>	<i>Green Indicator Light (Obsolete, use <a href="#">CK4533015</a>)</i>	2	2	2		30-Apr-16	C
	<a href="#">CK4533015</a>	<i>Service Kit for Indicator Light 250V Green</i> Notes: Kit includes green rectangular 250V light 4533015 and green rectangular lens 4533016.	2	2	2	1-May-16		C
11	<a href="#">2147800</a>	Primary Wires Harness	1	1	1			
12	<a href="#">2147900</a>	Element Wires Harness	2	2	2			
13	<a href="#">2147702</a>	Ground Wire Rear	2	2	2			
14	<a href="#">2147700</a>	Ground Wire	1	1	1			
15	<a href="#">2147399</a>	Main Top Assembly	1		1			
	<a href="#">2137298</a>	Main Top Assembly Tom Hortons Only		1				
16	<a href="#">2168000</a>	Back Splash	1		1		07-Dec-95	
	<a href="#">2385500</a>	Back Splash	1	1	1	07-Dec-95		
17	<a href="#">2149400</a>	Door Hinge Right Hand	1	1	1			
	<a href="#">2139401</a>	Door Hinge Left Hand	1	1	1			
18A	<a href="#">078109-2</a>	4" Adjustable Metal Leg	4	4	4			
18B	F-157	Leveling Bolt-3/8-16x1-1/16"	4	4	4			
18C*	<a href="#">G01503-10</a>	Leg Weld Nut	4	4	4			
19	<a href="#">2150000</a>	Element Identification Plate	2	2	2			
20	<a href="#">2149600</a>	Wireway	1	1	1			
21	<a href="#">2149299</a>	Door Assembly 15"	1	1	1			
22	<a href="#">2149300</a>	Door Pull	1	1	1		06-Mar-00	
	<a href="#">2149301</a>	Door Handle	1	1	1	06-Mar-00		
23	<a href="#">2137700</a>	Control Panel	1				04-Apr-94	
	<a href="#">2349600</a>	Control Panel	1	1		04-Apr-94		
	<a href="#">9349602</a>	Control Panel			1			
24	<a href="#">2180900</a>	Body Back & Bottom	1	1	1			
	<a href="#">2180901</a>	Body Back & Bottom S/S	1	1	1			

\* NOT ILLUSTRATED

#### **RECOMMENDED STOCK PARTS**

## GARLAND PARTS IDENTIFICATION

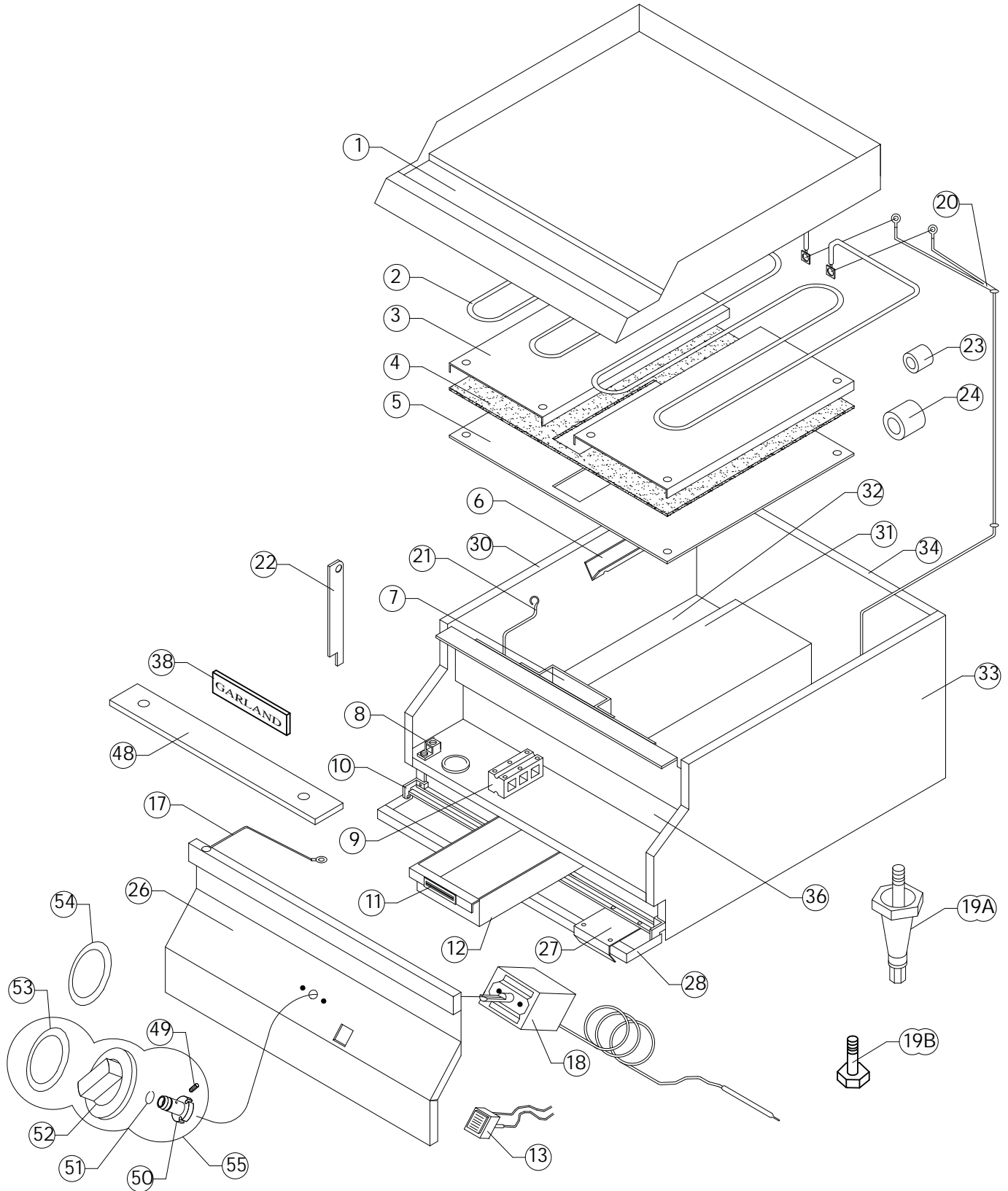
### Hot Plates ED-15HSE, ED15THSE & EDU-15HSE

ITEM	PART#	DESCRIPTION	MODEL			DATE		CRITICAL
			QUANTITY			FROM	UP TO	
			ED-15HSE	ED-15THSE	EDU-15HSE			
25	<a href="#">2180699</a>	Body Side Assembly LH Black (Code 9402CG0180)	1	1			21-Feb-94	
	<a href="#">2180698</a>	Body Side Assembly LH S/S (Code 9402CG0180)	1	1			21-Feb-94	
	<a href="#">2349498</a>	Body Side Assembly LH (Code 9402CG0181)	1	1	1	21-Feb-94		
	<a href="#">2349496</a>	Body Side Assembly LH (Code 9402CG0181)	1	1	1	21-Feb-94		
26	<a href="#">2180599</a>	Side Assembly RH (Code 9402CG0180)	1	1			21-Feb-94	
	<a href="#">2180598</a>	Side - Right Assembly S/S (Code 9402CG0180)	1	1			21-Feb-94	
	<a href="#">2394999</a>	Body Side Assembly RH (Code 9402CG0181)	1	1	1	21-Feb-94		
	<a href="#">2349497</a>	Body Side Assembly RH (Code 9402CG0181)	1	1	1	21-Feb-94		
27	<a href="#">G01487-8</a>	Heyco Bushing 11/16 ID	1	1	1			
28*	<a href="#">G01487-5</a>	Heyco Bushing 1-5/16 ID	1	1	1			
29*	<a href="#">2193700</a>	Control Panel Clip	2	2	2			
30*	<a href="#">2174500</a>	Joiner Tab	2	2	2			
31	<a href="#">2132799</a>	Control Shield Assembly	1	1		23-Feb-93	04-Apr-94	
	<a href="#">2351899</a>	Control Shield Assembly	1	1	1	04-Apr-94		
32	<a href="#">2139600</a>	Magnet Mounting Bracket	1	1	1		07-May-94	
	<a href="#">2183500</a>	Magnetic Bracket	1	1	1	07-May-94		
33*	<a href="#">2149800</a>	Access Panel	1	1	1			
34*	<a href="#">2150200</a>	Bottom Baffle	1	1	1			
35*	<a href="#">2171400</a>	Terminal Black Mounting Bracket	1	1	1			
36	<a href="#">2608700</a>	Wireway			1			
37	<a href="#">2618500</a>	Switch Seal			2			
38	<a href="#">4529725</a>	Garland Nameplate 4 7/8"	1	1	1			
39*	<a href="#">26186600</a>	Side Seal			2			
40*	<a href="#">2618700</a>	Front Seal			1			
41*	<a href="#">2146401</a>	Wiring Diagram, EDU-15HSE-CE V			1			
42*	<a href="#">2146300</a>	Wiring Diagram ED-15HSE 208DOM	1					
43*	<a href="#">2146400</a>	Wiring Diagram ED-15HSE 220EXP	1					
44*	<a href="#">2146301</a>	Wiring Diagram Tim Hortons Only		1				
45	<a href="#">2285999</a>	Leg Channel Assembly 15"	2	2	2			
46	<a href="#">F561</a>	10-32 - 3/16 Socket Head Screw	2	2	2			
47	<a href="#">3043207</a>	Knob Hub	2	2	2			
48	<a href="#">3043300</a>	Retaining Spring	2	2	2			
49	<a href="#">3043100</a>	Dial	2	2	2			
50	<a href="#">2139000</a>	Dial Insert	2	2	2			
51	<a href="#">4512224</a>	Dial Kit - Includes Items: 46, 47, 48, 49						
52	<a href="#">G01497-1</a>	Bx Connector Straight 3/8"		1				
53	<a href="#">4523405</a>	Power Cord W/L6-30 Plug - Only Available On ED-15THSE - 208 Volts 1/Phase Models Manufactured From Serial # 0803100100956		1		17-Mar-08		

\* NOT ILLUSTRATED

**RECOMMENDED STOCK PARTS**

Blank Page



ED-15,24,36G-GRIDDLES

**GARLAND PARTS IDENTIFICATION**  
**Griddles ED/EDU-15G, ED/EDU-24G, ED/EDU-36G**

ITEM	PART #	DESCRIPTION	MODEL			DATE		CRITICAL
			QUANTITY			FROM	UP TO	
			ED/EDU-15G	ED/EDU-24G	ED/EDU-36G			
1	2142699	Griddle Assembly 15"	1					
	2220399	15" Grooved Griddle Assembly	1					
	2151097	Griddle Assembly 24"		1				
	2220499	24" Griddle Assy Fully Grooved		1				
	2220498	24" Griddle Assy 12" Grooved LT		1				
	2220497	24" Griddle Assy 12" Grooved RT		1				
	2151197	Griddle Assembly 36"			1			
	2220599	36" Griddle Assy Fully Grooved			1			
	2220597	36" Griddle Assy. 24" Grooved RT			1			
	2220598	36" Griddle Assy. 24" Grooved LT			1			
2220595	36" Griddle Ass'y 12" Grooved LT			1				
2220596	36" Griddle Ass'y 12" Grooved RT			1				
2	<b>G01816-1</b>	<b>Element 208V, 3350W</b>	1	2	3			C
	<b>G01816-2</b>	<b>Element 240V, 3350W</b>	1	2	3			C
	<b>G01816-3</b>	<b>Element 220V, 3350W</b>	1	2	3			C
	<b>G01816-4</b>	<b>Element 230 Volts EDU Models Only</b>	1	2	3			C
3	G01884-1-6	Element Clamp	2	4	6			
4	4526300	Superwool 607 Biofriendly Insulation	1	2	3			
5	2142700	Element Cover	1	2	3			
6	G01891-1-6	Bulb Clamp	1	2	3			
7	2155499	Grease Chute Assembly	1	1	1			
8	G01500-1	Ground Terminal 55 Amp	1	1	1			
9	<b>2147300</b>	<b>Terminal Block 3 Circuit</b>	1	1	1			C
	<b>2147302</b>	<b>Terminal Block 3 Circuit (Export, 2 Phase)</b>	1	1	1			C
	<b>2147301</b>	<b>Terminal Block-4 Circuit (Export, 3 Phase)</b>	1	1	1			C
10	2149400	Door Hinge Right Hand	1	1	1			
	2149401	Door Hinge Left Hand	1	1	1			
11	<b>078174-1</b>	<b>Magnetic Door Catch</b>	1	1	1			C
12	2142800	Grease Tray	1	1	1			
13	<b>2138500</b>	<b>Amber Indicator Light (Obsolete, use CK4533018)</b>	1	2	3		30-Apr-16	C
	<b>CK4533018</b>	<b>Service Kit for Indicator Light 250V Amber</b> Notes: Kit includes green rectangular 250V light 4533018 and amber rectangular lens 4533017.	1	2	3	1-May-16		C
17	2147700	Ground Wire	1	1	1			
18	G2674-1	Thermostat G1 150F TO 450F	1	2	3			
19A	078109-2	4" Adjustable Metal Leg	4	4	4			
19B	F157	Leveling Bolt-3/8-16x1 1/16"	4	4	4			
19C*	G01503-10	Leg Weld Nut	4	4	4			
20	2158900	Wire Harness	1					
	2158901	Wire Harness		1				
	2158902	Wire Harness			1			
21	H87	14 Ga Nickel Wire Bare 651AL0Y	1	1	1			
22	G2402-3-5	Top Support Prop	1	1	1			
23	G01487-8	Heyco Bushing 11/16 ID	1	2	3			
24	G01487-5	Heyco Bushing 1-5/16 ID	1	1	1			
25*	2139700	Control Panel Clip	2	2	3			

\* NOT ILLUSTRATED

**RECOMMENDED STOCK PARTS**

**GARLAND PARTS IDENTIFICATION**  
**Griddles ED/EDU-15G, ED/EDU-24G, ED/EDU-36G**

ITEM	PART #	DESCRIPTION	MODEL			DATE		CRITICAL
			QUANTITY			FROM	UP TO	
			ED/EDU-15G	ED/EDU-24G	ED/EDU-36G			
26	2137900	Control Panel	1				6-May-94	
	2349700	Control Panel 15"	1			6-May-94		
	2138000	Control Panel		1			23-Feb-94	
	2349800	Control Panel 24"		1		23-Feb-94		
	2138300	Control Panel			1		23-Feb-94	
	2350100	Control Panel 36"			1	23-Feb-94		
27	2149300	Door Pull	1	1	1			
28	2149299	Door Assembly 15"	1					
	2149297	Door Assembly 24"		1				
	2149295	Door Assembly 36"			1			
29*	2372800	Body Side Stiffener	2	2	2			
30	2180699	Body Side Assy LH Black (Code 9402CG0180)	1	1	1			
	2180698	Body Side Assy LH S/S (Code 9402CG0180)	1	1	1			
	2349498	Body Side Assembly LH (Code 9402CG0181)	1	1	1			
	2349496	Body Side Assembly LH (Code 9402CG0181)	1	1	1			
31	2156300	Tray Cover	1	1	1			
32	2149600	Wireway	1	1	1			
33	2180599	Side Assembly RH (Code 9402CG0180)	1	1	1			
	2180598	Side - Right Assembly S/S (Code 9402CG0180)	1	1	1			
	2349499	Body Side Assembly RH (Code 9402CG0181)	1	1	1			
	2349497	Body Side Assembly RH (Code 9402CG0181)	1	1	1			
34	2180900	Body Back & Bottom	1					
	2180901	Body Back & Bottom S/S	1					
	2181100	Body Back & Bottom (24G)		1				
	2181101	Body Back & Bottom S/S		1				
	2181400	Body Back & Bottom (36G)			1			
	2181401	Body Back & Bottom S/S			1			
35*	2155700	Grease Tray Slide	2	2	2			
36	2156199	Control Shield Assembly	1				3-Mar-94	
	2352299	Control Shield Assembly	1			3-Mar-94		
	2156999	Control Shield Assembly		1			23-Feb-94	
	2352499	Control Shield Assembly		1		23-Feb-94		
	2156699	Control Shield Assembly			1		23-Feb-94	
	2352399	Control Shield Assembly			1	23-Feb-94		
37*	2174500	Joiner Tab	2	2	2			
38	4529725	Garland Nameplate 4 7/8"	1	1	1			
39*	2144500	Wiring Diagram						
40*	2144600	Wiring Diagram						
41*	2144601	Wiring Diagram, EDU-15G-CE VER.						
42*	2144700	Wiring Diagram						
43*	2144800	Wiring Diagram						

\* NOT ILLUSTRATED

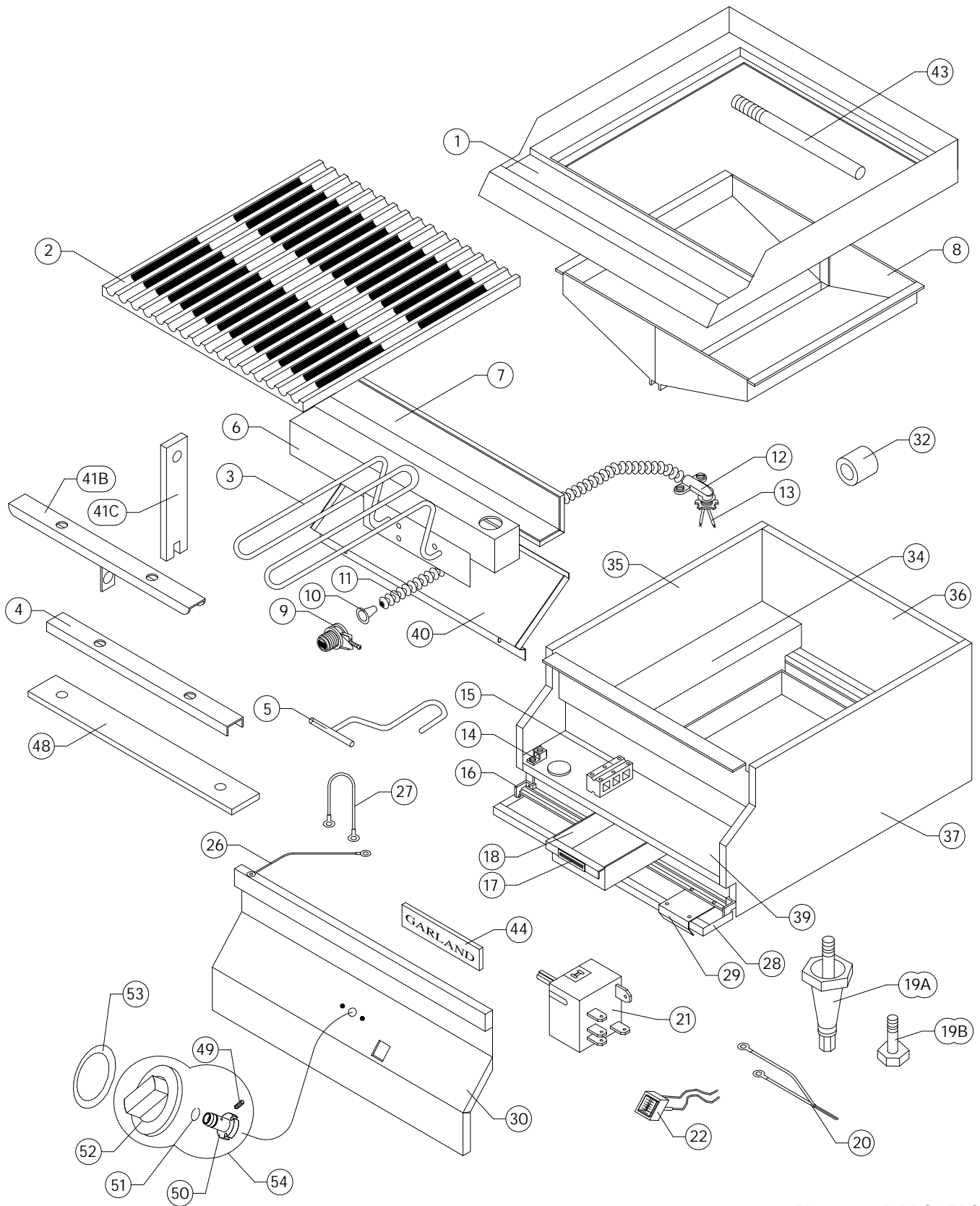
**RECOMMENDED STOCK PARTS**

**GARLAND PARTS IDENTIFICATION**  
**Griddles ED/EDU-15G, ED/EDU-24G, ED/EDU-36G**

ITEM	PART #	DESCRIPTION	MODEL			DATE		CRITICAL
			QUANTITY			FROM	UP TO	
			ED/EDU-15G	ED/EDU-24G	ED/EDU-36G			
44*	2144801	Wiring Diagram, EDU-24G-CE VER						
45*	2144900	Wiring Diagram						
46*	2145000	Wiring Diagram						
47*	2145001	Wiring Diagram, EDU-36G-CE VER						
48	<a href="#">2285999</a>	Leg Channel Assembly 15"	2					
	<a href="#">2285997</a>	Leg Channel Assembly 24"		2				
	<a href="#">2285995</a>	Leg Channel Assembly 36"			2			
49	<a href="#">F561</a>	10-32 – 3/16 Socket Head Screw	1	2	3			
50	<a href="#">3043207</a>	Knob Hub	1	2	3			
51	<a href="#">3043300</a>	Retaining Spring	1	2	3			
52	<a href="#">3043100</a>	Dial	1	2	3			
53	<a href="#">2138800</a>	Dial Insert Degrees F	1	2	3			
54	<a href="#">2138801</a>	Dial Insert Degrees C	1	2	3			
55	<a href="#">4512111</a>	Dial Kit – Includes Items: 49, 50, 51, 52, 53	1	2	3			

\* NOT ILLUSTRATED

**RECOMMENDED STOCK PARTS**



ED-15,30,42B BROILERS



**GARLAND PARTS IDENTIFICATION**  
**Broiler ED/EDU-15B, ED/EDU-30B, ED/EDU-42B**

ITEM	PART #	DESCRIPTION	MODEL			DATE		CRITICAL
			QUANTITY			FROM	UP TO	
			ED/EDU-15B	ED/EDU-30B	ED/EDU-42B			
1	<a href="#">2134899</a>	Main Top Assembly	1					
	<a href="#">2161499</a>	Main Top Assembly		1				
	<a href="#">2165399</a>	Main Top Assembly			1			
2	<a href="#">G0844-1</a>	Broiler Grate	1	2	3			
3	<a href="#">G0875-2</a>	<b>Element Broiler 208V, 1.35KW</b>	2	4	6			C
	<a href="#">G0875-1</a>	<b>Element Broiler 240V, 1.35KW</b>	2	4	6			C
	<a href="#">G0875-4</a>	<b>Element Broiler 220V, 1.35KW</b> Note: No Longer Available. Use <a href="#">G0875-5</a> .	2	4	6			
	<a href="#">G0875-5</a>	<b>Element Assy, 230V, 1350W</b> <b>EDU Models Only</b>	2	4	6			C
4	<a href="#">4526176</a>	Element Clamp	2	4	6			
5	<a href="#">2135799</a>	Grate Handle Assembly	1	1	1			
6	<a href="#">2135400</a>	Element Terminal Box	1	2	3			
7	<a href="#">2135500</a>	Element Terminal Box Cover	1	2	3			
8	<a href="#">2159499</a>	Grease Collector Assembly	1					
	<a href="#">2162199</a>	Grease Collector Assembly		1				
	<a href="#">2165899</a>	Grease Collector Assembly			1			
9	<a href="#">G01497-1</a>	Bx Connector Straight 3/8"	1	2	3			
10	<a href="#">1029600</a>	Antishots # 1	2	4	6			
11	<a href="#">1029400</a>	BX Cable 3/8"	1	2	3			
12	<a href="#">1028500</a>	Connector 3/8" 90 DEG. Romex	1	2	3			
13	<a href="#">2159100</a>	Element Wires	1	2	3			
14	<a href="#">G01500-1</a>	Ground Terminal 55 Amp	1	1	1			
15	<a href="#">2147300</a>	<b>Terminal Block 3 Circuit</b>	1	1	1			C
	<a href="#">2147302</a>	<b>Terminal Block 3 Circuit (Export, 2 Phase)</b>	1	1				C
	<a href="#">2147301</a>	<b>Terminal Block 4 Circuit (Export, 3 Phase)</b>			1			C
16	<a href="#">2149400</a>	Door Hinge Right Hand	1	1	1			
	<a href="#">2149401</a>	Door Hinge Left Hand	1	1	1			
17	<a href="#">078174-1</a>	<b>Magnetic Door Catch</b>	1	1	1			C
18	<a href="#">2142800</a>	Grease Tray	1	1				
	<a href="#">2222900</a>	Grease Tray			1			
19A	<a href="#">078109-2</a>	4" Adjustable Metal Leg	4	4	4			
19B	<a href="#">F157</a>	Bolt-3/8-16x1 1/16"	4	4	4			
19C*	<a href="#">G01503-10</a>	Leg Weld Nut	4	4	4			
20	<a href="#">2159000</a>	Primary Wires	1					
	<a href="#">2159001</a>	Primary Wires		1				
	<a href="#">2159002</a>	Primary Wires			1			
21	<a href="#">CKG03185-2</a>	<b>Infinite Switch-240 Volt</b>	1	2	3			C
22	<a href="#">2138504</a>	<b>Green Indicator Light (Obsolete, use CK4533015)</b>	1	2	3		30-Apr-16	C
	<a href="#">CK4533015</a>	<b>Service Kit for Indicator Light 250V Green</b> Notes: Kit includes green rectangular 250V light 4533015 and green rectangular lens 4533016.	1	2	3	1-May-16		C
26	<a href="#">2147700</a>	Ground Wire	1	1	1			
27	<a href="#">2159101</a>	Element Wires	2	4	6			
28	<a href="#">2149299</a>	Door Assembly 15"	1					
	<a href="#">2149296</a>	Door Assembly 30"		1				
	<a href="#">2149289</a>	Door Assembly 42"			1			
29	<a href="#">2149300</a>	Door Pull	1	1	1			

\* NOT ILLUSTRATED

**RECOMMENDED STOCK PARTS**

**GARLAND PARTS IDENTIFICATION**  
**Broiler ED/EDU-15B, ED/EDU-30B, ED/EDU-42B**

ITEM	PART #	DESCRIPTION	MODEL			DATE		CRITICAL
			QUANTITY			FROM	UFGO	
			ED/EDU-15B	ED/EDU-30B	ED/EDU-42B			
30	2137900	Control Panel	1				6-May-94	
	2349700	Control 15"	1			6-May-94		
	2138100	Control Panel		1			4-Apr-94	
	2349900	Control Panel 30"		1		4-Apr-94		
	2139400	Control Panel			1		28-Mar-94	
	2350200	Control Panel 42"			1	28-Mar-94		
31*	2139700	Control Panel Clip	2	2	3			
32	G01487-5	Heyco Bushing 1-5/16 ID	1	1	1			
33*	2155700	Grease Tray Slide	2	2	2			
34	2149600	Wireway	1	1	1			
35	2180699	Body Side Assy LH - Black (Code 9402CG0180)	1	1	1			
	2180698	Body Side Assy LH S/S (Code 9402CG0180)	1	1	1			
	2349498	Body Side Assembly LH (Code 9402CG0181)	1	1	1			
	2349496	Body Side Assembly LH (Code 9402CG0181)	1	1	1			
36	2181000	Body Back & Bottom	1					
	2181001	Body Back & Bottom S/S	1					
	2181200	Body Back & Bottom (30B)		1				
	2181201	Body Back & Bottom S/S		1				
	2181500	Body Back & Bottom (42B)			1			
	2181501	Body Back & Bottom S/S			1			
37	2180599	Side Assembly RH (Code 9402CG0180)	1	1	1			
	2180598	Side -Right Assembly S/S (Code 9402CG0180)	1	1	1			
	2349499	Body Side Assembly RH (Code 9402CG0181)	1	1	1			
	2349497	Body Side Assembly RH (Code 9402CG0181)	1	1	1			
38*	22174500	Joiner Tab	2	2	2			
39	2135199	Control Shield Assembly	1				3-Mar-94	
	2352199	Control Shield Assembly	1			3-Mar-94		
	2161699	Control Shield Assembly		1			4-Apr-94	
	2352699	Control Shield Assembly		1		4-Apr-94		
	2165299	Control Shield Assembly			1		3-Mar-94	
	2352799	Control Shield Assembly			1	3-Mar-94		
40	2135600	Shield	1	2	3			
41B	4526178	Prop Hanger	1	2	3			
41C	2436100	Prop	1	2	3			
43	2159800	Grate Stop	1	2	3			
44	4529725	Garland Nameplate 4 7/8"	1	1	1			
45*	2145100	Wiring Diagram ED-15B-Domestic	1					
	2145200	Wiring Diagram ED-15B-Exp	1					
	2145201	Wiring Diagram -EDU-15B-CE VER.	1					
46*	2155300	Wiring Diagram ED-30B-Domestic		1				
	2145400	Wiring Diagram ED-30B-Exp.		1				
	2145401	Wiring Diagram -EDU-30B-CE VER.		1				
47*	2145500	Wiring Diagram ED-42B-Domestic			1			
	2145600	Wiring Diagram ED-42B-Exp.			1			
	2145601	Wiring Diagram EDU-42B-CE VER.			1			

\* NOT ILLUSTRATED

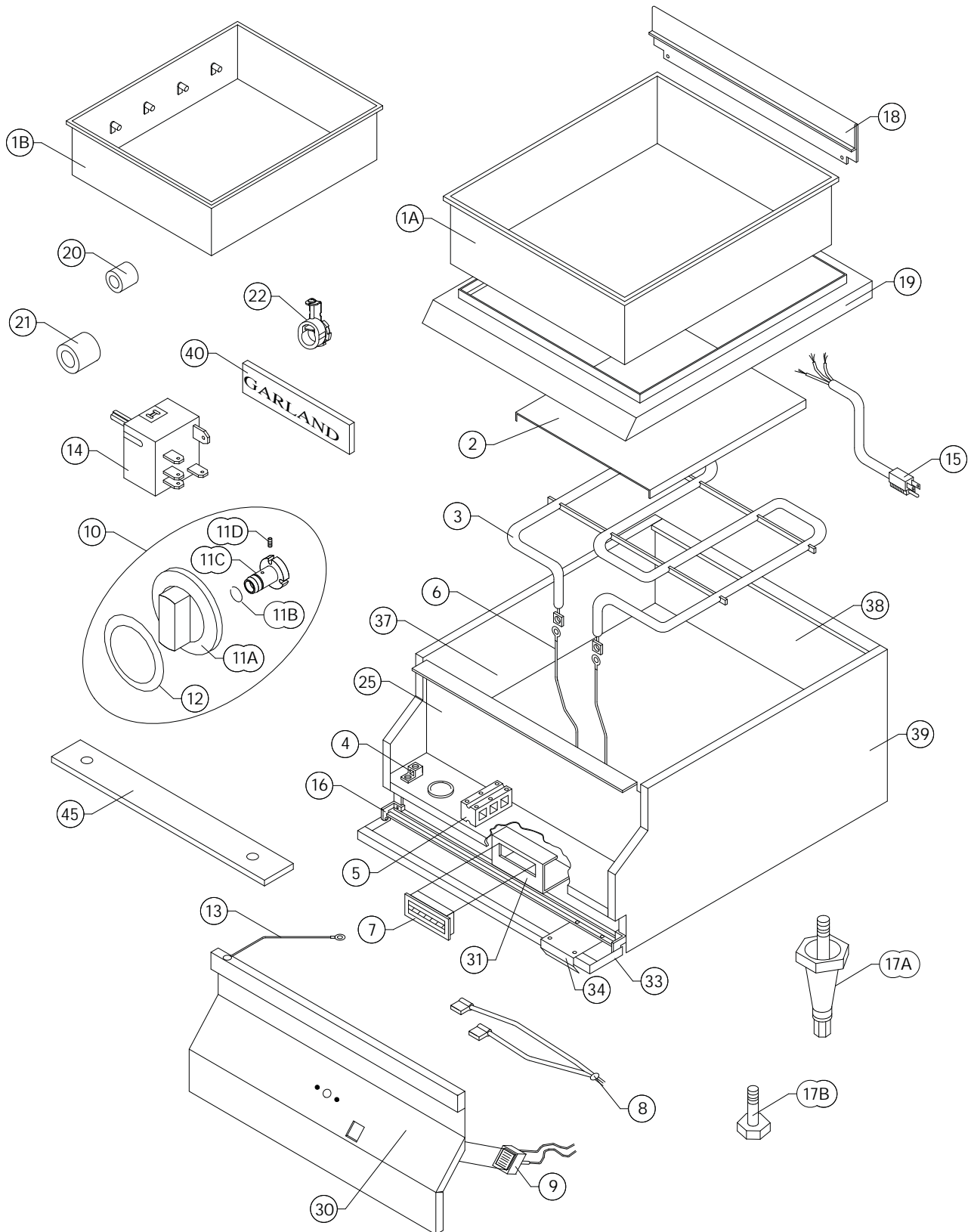
**RECOMMENDED STOCK PARTS**

**GARLAND PARTS IDENTIFICATION**  
**Broiler ED/EDU-15B, ED/EDU-30B, ED/EDU-42B**

ITEM	PART #	DESCRIPTION	MODEL			DATE		CRITICAL
			QUANTITY			FROM	UFGO	
			ED/EDU-15B	ED/EDU-30B	ED/EDU-42B			
48	<a href="#">2285999</a>	Leg Channel Assembly 15"	2					
	<a href="#">2285996</a>	Leg Channel Assembly 30"		2				
	<a href="#">2285994</a>	Leg Channel Assembly 42"			2			
49	<a href="#">F561</a>	10-32 – 3/16 Socket Head Screw	2	2	2			
50	<a href="#">3043207</a>	Knob Hub	2	2	2			
51	<a href="#">3043300</a>	Retaining Spring	2	2	2			
52	<a href="#">3043100</a>	Dial	2	2	2			
53	<a href="#">2139000</a>	Dial Insert	2	2	2			
54	<a href="#">4512224</a>	Dial Kit – Includes Items: 49, 50, 51, 52	2	2	2			

\* NOT ILLUSTRATED

**RECOMMENDED STOCK PARTS**



ED-15-W,P Food Warmer

**GARLAND PARTS IDENTIFICATION**  
**Food Warmer ED/EDU-15W, ED-15WP**

ITEM	PART #	DESCRIPTION	MODEL		DATE		CRITICAL
			QTY		FROM	UP TO	
			ED/EDU-15W	ED-15WP			
1A	<a href="#">2186100</a>	<b>Food Warmer Tank</b>	1	1			C
1B	<a href="#">2186199</a>	<b>Food Well With Pan Stop (Tim Hortons Only)</b>		1			C
2	<a href="#">2156400</a>	Element Plate	1	1			
3	<a href="#">G0569-1</a>	<b>Element 120V, 1KW</b>		1			C
	<a href="#">G0569-2</a>	<b>Element 208V, 1KW</b>	1				C
	<a href="#">G0569-3</a>	<b>Element 240V, 1KW</b>	1				C
	<a href="#">G0569-5</a>	<b>Element 230V, 1.1KW EDU Models Only</b>	1				C
4	<a href="#">G01500-1</a>	Ground Terminal 55 Amp	1	1			
5	<a href="#">2147300</a>	Terminal Block 3 Circuit	1	1			
	<a href="#">2147302</a>	Terminal Block 3 Circuit Export					
6	<a href="#">2148300</a>	Element Wires	1	1			
7	<a href="#">078174-1</a>	<b>Magnetic Door Catch</b>	1	1			C
8	<a href="#">2148200</a>	Primary Wires		1			
	<a href="#">2148201</a>	Primary Wires	1				
9	<a href="#">2138504</a>	<b>Green Indicator Light (Obsolete, use <a href="#">CK4533015</a>)</b>	1	1		30-Apr-16	C
	<a href="#">CK4533015</a>	<b>Service Kit for Indicator Light 250V Green</b> Notes: Kit includes green rectangular 250V light 4533015 and green rectangular lens 4533016.	1	1	1-May-16		C
10	<a href="#">4512115</a>	Knob Kit <a href="#">2138700</a> , <a href="#">2139000</a> Include Items # 11A, 11B, 11C, 11D & 12	1	1			
11A	<a href="#">3043100</a>	Dial	1	1			
11B	<a href="#">3043300</a>	Retaining Spring	1	1			
11C	<a href="#">3043207</a>	Knob Hub	1	1			
11D	<a href="#">F561</a>	10-32 – 3/16 Socket Head Screw	1	1			
12	<a href="#">2139000</a>	Dial Insert	1	1			
13	<a href="#">2147700</a>	Ground Wire	1	1			
14	<a href="#">CKG03185-1</a>	<b>Infinite Switch-120 Volt</b>		1			C
	<a href="#">CKG03185-2</a>	<b>Infinite Switch-240 Volt</b>	1				C
15	<a href="#">4523398</a>	Power Cord 6Ft 3/14Ga 15Amp SJ00W		1			
16	<a href="#">2149400</a>	Door Hinge Right Hand	1	1			
	<a href="#">2149401</a>	Door Hinge Left Hand	1	1			
17A	<a href="#">078109-2</a>	4" Adjustable Metal Leg	4	4			
17B	<a href="#">F157</a>	Leveling Bolt-3/8-16x1 1/16"	4	4			
17C*	<a href="#">G01503-10</a>	Leg Weld Nut	4	4			
18	<a href="#">2168000</a>	Back Splash to 12/07/95	1	1			
	<a href="#">2385500</a>	Back Splash from 12/07/95	1	1			
19	<a href="#">2133700</a>	Main Top	1	1			
20	<a href="#">G01487-8</a>	Heyco Bushing 11/16 ID	1	1			
21	<a href="#">G01487-5</a>	Heyco Bushing 1-5/16 ID	1	1			
22	<a href="#">G01497-1</a>	Bx Connector Straight 3/8"	1	1			
23*	<a href="#">G0577-1-6</a>	Element Baffle Pan	1	1			
24*	<a href="#">1472205</a>	Insulation 17 x 12 x 1	1	1			
25	<a href="#">2133899</a>	Control Shield Assembly	1	1		18-Aug-94	
	<a href="#">2352099</a>	Control Shield Assembly	1	1	18-Aug-94		
26*	<a href="#">079113-1</a>	Fibrefrac 970J 1/8"	1	1			
27*	<a href="#">2133999</a>	Element Tray Assembly	1	1			
28*	<a href="#">2134000</a>	Side Liner	2	2			
29*	<a href="#">2134500</a>	Front Liner	1	1			

\* NOT ILLUSTRATED

**RECOMMENDED STOCK PARTS**

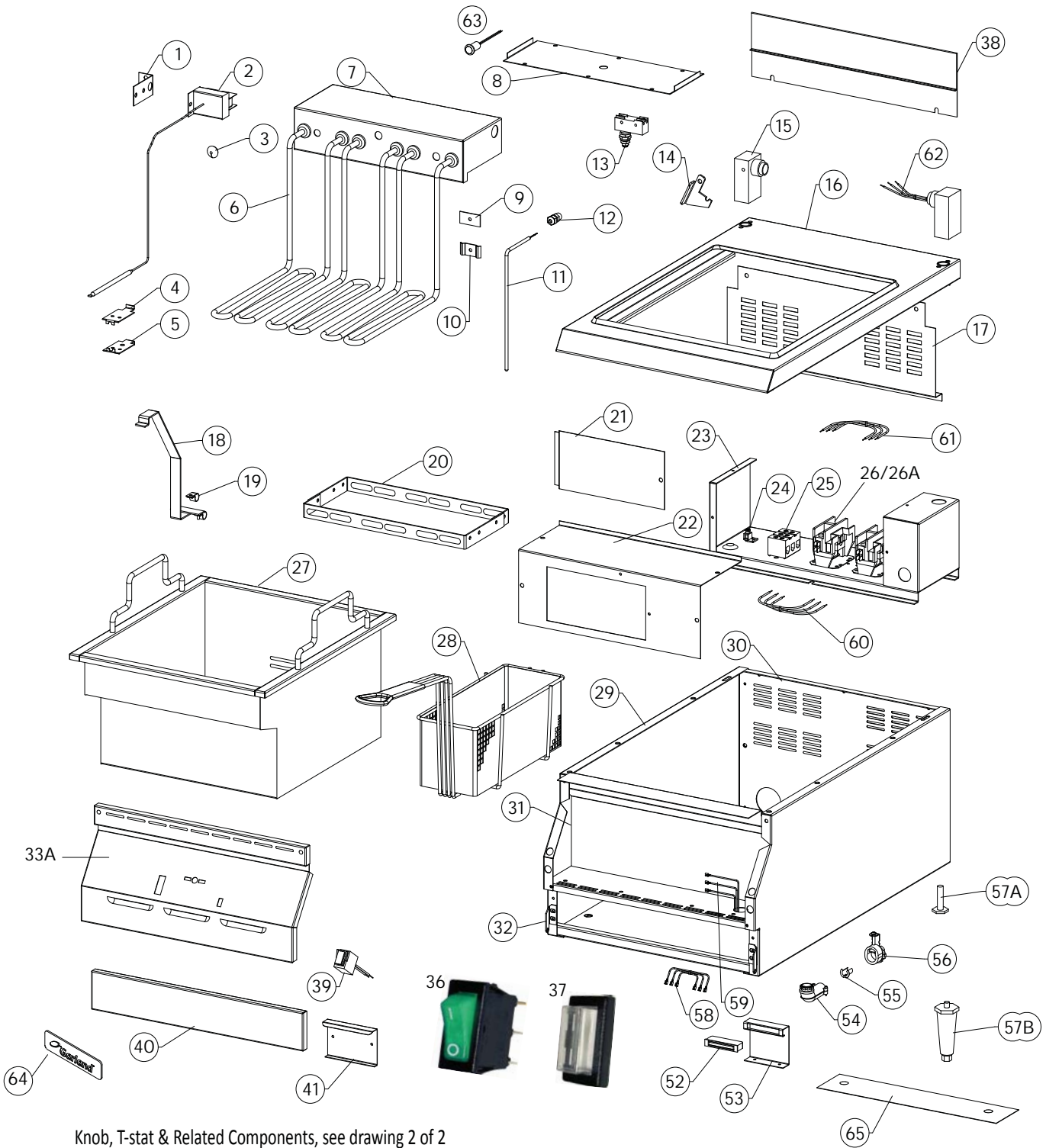
**GARLAND PARTS IDENTIFICATION**  
**Food Warmer ED/EDU-15W, ED-15WP**

ITEM	PART #	DESCRIPTION	MODEL QTY		DATE		CRITICAL
			ED/EDU-15W	ED-15WP	FROM	UP TO	
30	2137900	Control Panel	1	1		6-May-94	
	2349700	Control Panel 15"	1	1	6-May-94		
31	2139600	Magnet Mounting Bracket	1	1		7-May-94	
	<a href="#">2183500</a>	Magnet Bracket	1	1	7-May-94		
32*	<a href="#">2139700</a>	Control Panel Clip	2	2			
33	<a href="#">2149299</a>	Door Assembly 15"	1	1			
34	2149300	Door Pull	1	1			
35*	2149600	Wireway	1	1			
36*	<a href="#">2174500</a>	Joiner Tab	2	2			
37	<a href="#">2180699</a>	Side Assembly LH - Black (Code 9402CG0180)	1	1			
	<a href="#">2180698</a>	Side - Left Assembly S/S (Code 9402CG0180)	1	1			
	<a href="#">2349498</a>	Body Side Assembly LH (Code 9402CG0181)	1	1			
	<a href="#">2349496</a>	Body Side Assembly LH (Code 9402CG0181)	1	1			
38	2181000	Body Back & Bottom	1	1			
	2181001	Body Back & Bottom S/S	1	1			
39	2180599	Side Assembly RH (Code 9402CG0180)	1	1			
	2180598	Side - Right Assembly S/S (Code 9402CG0180)	1	1			
	<a href="#">2349499</a>	Body Side Assembly RH (Code 9402CG0181)	1	1			
	<a href="#">2349497</a>	Body Side Assembly RH (Code 9402CG0181)	1	1			
40	<a href="#">4529725</a>	Garland Nameplate 4 7/8"	1	1			
41*	2146500	Wiring Diagram Domestic ED-15W	1				
42*	2146600	Wiring Diagram Export ED-15W	1				
43*	2146601	Wiring Diagram EDU-15W CE	1				
44*	2146700	Wiring Diagram ED-15WP		1			
45	<a href="#">2285999</a>	Leg Channel Assembly 15"	2	2			

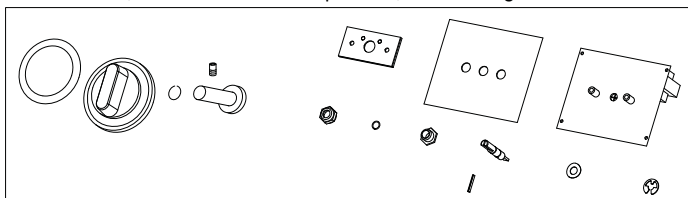
\* NOT ILLUSTRATED

**RECOMMENDED STOCK PARTS**

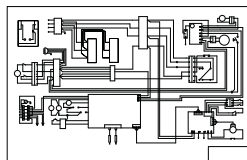
Blank Page



Knob, T-stat & Related Components, see drawing 2 of 2

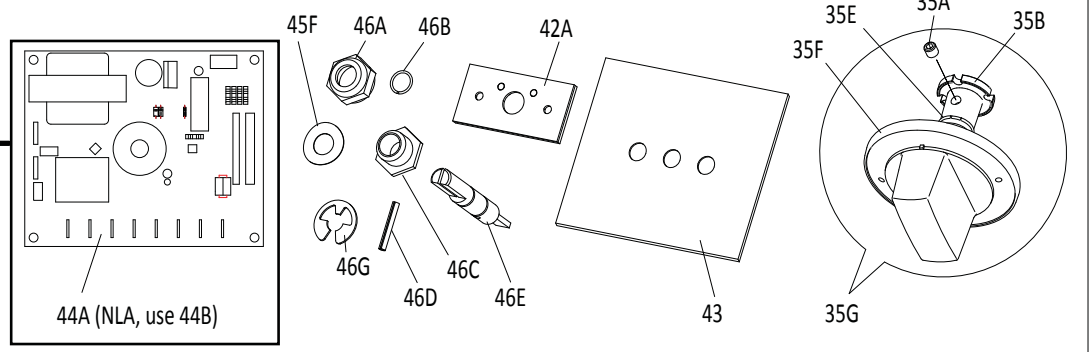


80 - 83 (Wiring Diagrams)

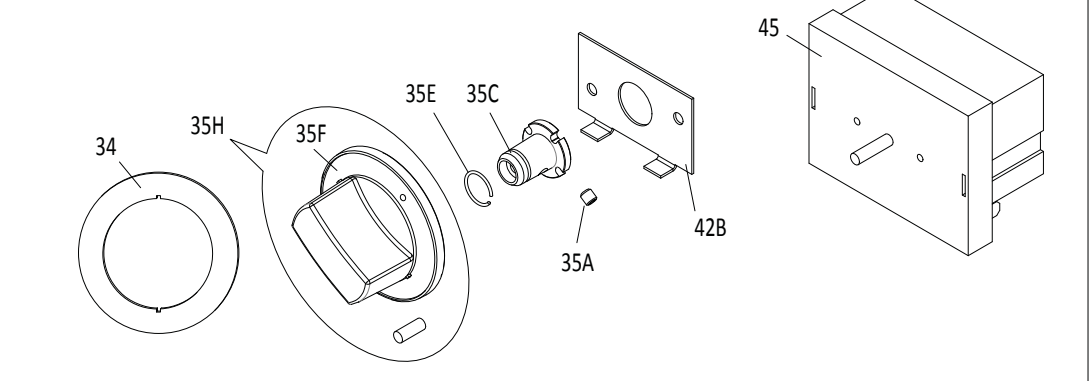




#### T-stat & Related Components for Units Built UP TO 27-Jan/2010



#### T-Stat & Related Components for Units Built BETWEEN 28-Jan/2010 and 9-Apr/2012



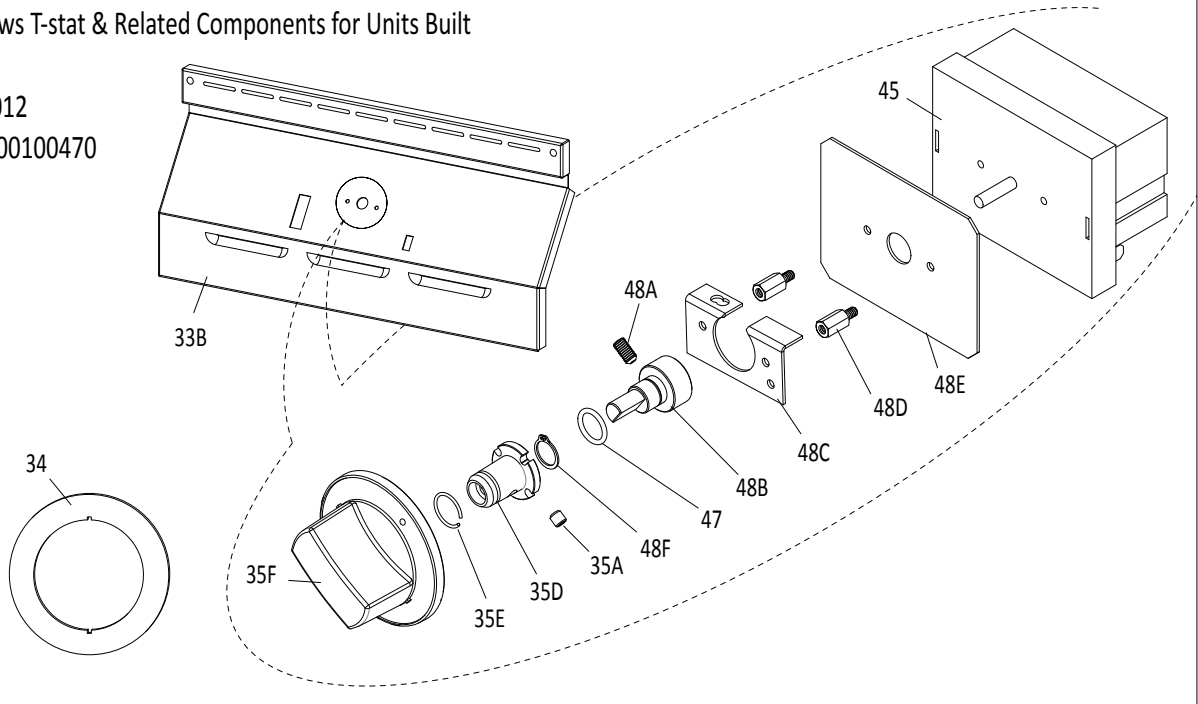
#### 44B T-Stat Kit

Illustration shows T-stat & Related Components for Units Built

FROM:

(date) 9-Apr/2012

(serial#) 1204100100470



**GARLAND PARTS IDENTIFICATION**  
**ED Super Fryers**

**ED-15SF / ED-30SFT / EDU-18SF / EDU-36SFT**

ITEM	PART#	DESCRIPTION	QTY				FROM DATE	UP TO DATE	CRITICAL
			ED-15SF	ED-30SFT	EDU-18SF	EDU-36SFT			
1	2158300	Hi-Limit Mounting Bracket	1	2	1	2			
2	2147600	Hi Limit 430 Degrees F	1	2	1	2			
3	G1155-1	Black PVC Grommet #315-463	1	2	1	2			
4	2160700	Bulb Clamp Top	1	2	1	2			
5	2160899	Bulb Clamp Bottom Assembly	1	2	1	2			
6	<b>CK2147500</b>	<b>Super Fryer Element 208V</b>	2	6					C
	<b>CK2147501</b>	<b>Super Fryer Element 220V</b>	3	6					C
	<b>CK2147502</b>	<b>Super Fryer Element 240V</b>	3	6	3	6			C
	<b>2147503</b>	<b>Super Fryer Element 230V</b>			3	6			C
7	2158499	Termination Box Assembly	1	2		2			
	2158497	Termination Box Assembly			1				
8	2158500	Termination Box Cover	1	2					
	2158501	Termination Box Cover <b>CE</b>			1	2			
9	2160499	Clamp Back Assembly	1	2	1	2			
10	2160300	Rtd Clamp	1	2	1	2			
11	<b>2147000</b>	<b>Rtd Sensor-Fryer</b>	1	2	1	2			C
12	2147400	Liquid-Tite Fitting #3444	1	2	1	2			
13	<b>CK4601247</b>	<b>Switch Kit</b>			1	2			C
14	2385400	Termination Box Support	1	2	1	2			
15	2157398	End Post Assembly	2	4	2	4			
16	2384999	Main Top Assembly	1						
	2385199	Main Top Assembly		1					
	2384998	Main Top Assembly			1				
	2385198	Main Top Assembly				1			
17	2157800	Rear Shield	1						
	2157801	Rear Shield		1					
	2157802	Rear Sheild			1				
	2157803	Rear Sheild				1			
18	2160598	Element Lifting Handle	1	2	1	2			
19	F141	Clamp-Tube Tinnerman <b>Use GF141</b>	2	4	2	4			
20	2158699	Element Clamp Assembly	1	2	1	2			
21	2176000	Inspection Cover	1	1	1	1			
22	2157900	Contacto Box Cover	1						
	2157700	Contacto Box Cover		1					
	2157901	Contacto Box Cover			1				
	2157701	Contacto Box Cover				1			
23	<b>2158100</b>	<b>Contacto Box</b>	1						C
	<b>2158000</b>	<b>Contacto Box</b>		1					C
	<b>2158101</b>	<b>Contacto Box</b>			1				C
	<b>2158001</b>	<b>Contacto Box</b>				1			C
24	G01500-1	Ground Terminal 55AMP	1		1				
	G01499-1	Ground Terminal 105A Large SLU-70		1		1			

\* NOT ILLUSTRATED

**RECOMMENDED STOCK PARTS**

**GARLAND PARTS IDENTIFICATION**  
**ED Super Fryers**

**ED-15SF / ED-30SFT / EDU-18SF / EDU-36SFT**

ITEM	PART#	DESCRIPTION	QTY				FROM DATE	UP TO DATE	CRITICAL
			ED-15SF	ED-30SFT	EDU-18SF	EDU-36SFT			
25	2147300	Terminal Block 3 Circuit	1		1				
	G01268-1	Terminal Block #824 Export (No Longer Available. Use 2694801(4) or 2694800(5))		3					
	G01268-1	Terminal Block #824 Export (No Longer Available. Use 2694801(4) or 2694800(5))		4					
	G01268-2	Terminal Block End #830 (No Longer Available)		1					
	G01280-3-7	Terminal Block Channel 3 LUG Domestic		1					
	G01280-4-7	Terminal Block Channel 4 LUG Export		1					
	2694800	Export Terminal Block (5)				1			
26	4531014	<b>Contactor Replacement Kit (Field Service Kit)</b> <b>Note:</b> <ul style="list-style-type: none"> <li>• Kit includes a contactor (item 26A), wiring diagrams, install template, fasteners and install instructions.</li> <li>• Implemented <b>FROM</b> (serial#) 1204100100912 (model) ED-15SF-0041 (date) 1-May-20012.</li> <li>• Ref: original 077062-1(Contactor 3 Pole 208/240VAC Coil 30A), discontinued on 1-May-2012.</li> </ul>	2	4	2	4		C	
26A	1489701	<b>Contactor 3 Pole 208/240V 40A</b>	2	4	2	4	1-MAY/12	C	
27	2133599	<b>Fry-Tank Assembly</b>	1	2	1	2		C	
28	G02700-3	<b>Fryer Basket Twin R.H.</b>	1	2	1	2		C	
	G02700-4	<b>Fryer Basket Twin L.H.</b>	1	2	1	2		C	
	G02701-2	Fryer Basket Single (OPTIONAL)							
29	2180699	Body Side Assembly LH Black (Code 9402CG0180)	1	1	1	1			
	2180698	Body Side Assembly LH S/S (Code 9402CG0180)	1	1	1	1			
	2180599	Side Assembly RH (Code 9402CG0180)	1	1	1	1			
	2180598	Side - Right Assembly S/S (Code 9402CG0180)	1	1	1	1			
	2349499	Body Side Assembly RH (Code 9402CG0181)	1	1	1	1			
	2349498	Body Side Assembly LH (Code 9402CG0181)	1	1	1	1			
	2349497	Body Side Assembly RH (Code 9402CG0181)	1	1	1	1			
	2349496	Body Side Assembly LH (Code 9402CG0181)	1	1	1	1			
30	2180899	Body Back & Bottom Assy (15F)	1						
	2180898	Body Back & Bottom S/S	1						
	2181399	Body Back & Bottom Assy (30FT)		1					
	2181398	Body Back & Bottom S/S		1					
	2180897	Body Back & Bottom Assy. 18" W.C.			1				
	2180896	Body Back & Bottom Assy S/S			1				
	2181397	Back & Bottom Assembly W.C.				1			
	2181396	Back & Bottom Assembly S/S				1			
31	2351900	Control Shield	1						
	2352500	Control Shield		1					
	2351902	Control Sheild			1				
	2352502	Control Sheild				1			
32	2149400	Door Hinge Right Hand	1	1	1	1			
	2149401	Door Hinge Left Hand	1	1	1	1			

\* NOT ILLUSTRATED

**RECOMMENDED STOCK PARTS**

**GARLAND PARTS IDENTIFICATION**  
**ED Super Fryers**

**ED-15SF / ED-30SFT / EDU-18SF / EDU-36SFT**

ITEM	PART#	DESCRIPTION	QTY				FROM DATE	UP TO DATE	CRITICAL
			ED-15SF	ED-30SFT	EDU-18SF	EDU-36SFT			
33A	2349500	Control Panel	1					9-APR/12	
	2350000	Control Panel		1				9-APR/12	
	2349501	Control Panel			1			9-APR/12	
	2350001	Control Panel				1			
33B	4530539	Control Panel ED-15F/15SF (Backward Compatible)	1				9-APR/12		
	4530541	Control Panel ED-30F/30SF (Backward Compatible)		1			9-APR/12		
	4530540	Control Panel EDU-18F/18SF (Backward Compatible)			1		9-APR/12		
34	2138900	Dial Insert F/ED-15F,30F (F) 200-375	1	2	1	2			
	2138901	Dial Insert F/ED-15FE,30FE (C) 95-192	1	2	1	2			
35A	F561	10-32 - 3/16 Socket Head Screw	1	2	1	2			
35B	3043207	Knob Hub <b>Note: NOT interchangeable with items 35C / 35D.</b>	1	2	1	2		27-JAN/10	
35C	3043208	Hub 1/4" Not Flat <b>Note:</b> • Used <b>FROM</b> (serial#)1001100100982 (model) ED-15F-0008 <b>UP TO</b> (serial#)1204100100470 (model) ED-30FT-0045. • <b>NOT interchangeable with items 35B / 35D.</b>	1	2	1	2	27-JAN/10	9-APR/12	
35D	3043200	Hub (non-FF) <b>Note: NOT interchangeable with items 35B / 35C.</b>	1	2	1		9-APR/12		
35E	3043300	Retaining Spring	1	2	1	2			
35F	3043100	Knob	1	2	1	2			
35G	4512224	Dial Kit (Includes items: 35A, 35B, 35E, 35F)	1	2	1	2		27-JAN/10	
35H	4527733	ED-Fryer Knob Assembly <b>Note:</b> • Includes a Knob (3043100) and a spacer. • Can install this knob asm on an older unit with Hub 3043208 (35C) and Limiter Plate 4527806 (item 42B). See illustration for related components. • Implemented <b>FROM</b> (serial#)1001100100982 (model) ED-15F-0008 <b>UP TO</b> (serial#)1204100100470 (model) ED-30FT-0045.	1	2	1	2	27-JAN/10	9-APR/12	
36	2146800	Illuminated Power Switch	1	2	1	2			
37	3011400	PVC Clear Cap c/w Black Bezel			1	2			
38	2385500	Back Splash	1						
	2385600	Back Splash		1					
	2385501	Back Splash			1				
	2385601	Back Splash 36"				1			
39	2138500	<b>Amber Indicator Light (Obsolete, use CK4533018)</b>	1	2	1	2		30-APR-16	C
	CK4533018	<b>Service Kit for Indicator Light 250V Amber</b> Notes: Kit includes green rectangular 250V light 4533018 and amber rectangular lens 4533017.	1	2	1	2	1-MAY-16		C

\* NOT ILLUSTRATED

**RECOMMENDED STOCK PARTS**

## GARLAND PARTS IDENTIFICATION

### ED Super Fryers

#### ED-15SF / ED-30SFT / EDU-18SF / EDU-36SFT

ITEM	PART#	DESCRIPTION	QTY				FROM DATE	UP TO DATE	CRITICAL
			ED-15SF	ED-30SFT	EDU-18SF	EDU-36SFT			
40	<a href="#">2149299</a>	Door Assembly 15"	1						
	<a href="#">2149296</a>	Door Assembly 30"		1					
	<a href="#">2149298</a>	Door Assembly 18"			1				
	<a href="#">2149295</a>	Door Assembly 36"				1			
41	2149300	Door Pull	1	1	1	1			
42A	<a href="#">2491500</a>	Stop Plate Assembly	1	2	1	2		27-JAN/10	
42B	<a href="#">4527806</a>	Mechanical Limiter Plate ED-Fryers	1	2	1	2	28-JAN/10	9-APR/12	
43	<a href="#">2159300</a>	Insulator-Thermostat	1	2	1	2		27-JAN/10	
44A	<a href="#">2142000</a>	<b>Electronic Thermostat 200-375F</b> <b>Note:</b> Part is <b>No Longer Available</b> . Use Conversion Kit (item# 44B).	1	2	1	2	NLA	27-JAN/10	C
44B	<a href="#">4531019</a>	Tstat Kit - ED15 F/SF	1					9-APR/12 see Note	
	<a href="#">4531020</a>	Tstat Kit - ED30 FT/SFT		1				9-APR/12 see Note	
	<a href="#">4531021</a>	Tstat Kit - EDU18 F/SF			1			9-APR/12 see Note	
	<b>Note:</b> <ul style="list-style-type: none"> <li>Kit includes components as shown in illustration and install instructions (4531018).</li> <li>Use one of these Kits for any unit built UP TO 9-Apr-2012.</li> <li>Components in these Kits are used in units built FROM (serial#) 1204100100470 (model) ED-30FT-0045 (date) 9-Apr-2012.</li> </ul>								
45	<a href="#">4527081</a>	<b>Electronic Thermostat</b> <b>Note:</b> For any unit built between 28-Jan/2010 and 9-Apr/2012, please refer to Bulletin GAR-03-13-AIC for thermostat replacement options.	1	2	1	2	28-JAN/10		C
46A	<a href="#">2358200</a>	Shaft Seal N9030 x 1/4	1	2	1	2		27-JAN/10	
46B	<a href="#">2382800</a>	Shaft Retaining Spring	1	2	1	2		27-JAN/10	
46C	<a href="#">2167300</a>	Panel Bearing Assembly	1	2	1	2		27-JAN/10	
46D	<a href="#">2167000</a>	Spring Tension Pin	1	2	1	2		27-JAN/10	
46E	<a href="#">2166800</a>	Potentiometer Shaft	1	2	1	2		27-JAN/10	
46F	<a href="#">2167100</a>	Bowed Spring Washer	1	2	1	2		27-JAN/10	
46G	<a href="#">2167200</a>	Retaining Ring	1	2	1	2		27-JAN/10	
47	4530531	0.437 O-Ring	1	1	1		9-APR/12		
48A	F648	#10 - 32 x 3/8 Set Screw	1	1	1		9-APR/12		
48B	4530532	Tstat Shaft Extension	1	1	1		9-APR/12		
48C	4530537	Fryer Control Stop	1	1	1		9-APR/12		
48D	F646	#6 - 32 x 0.437 Standoff	2	2	2		9-APR/12		
48E	<a href="#">4530538</a>	Fryer Control Plate	1	1	1		9-APR/12		
48F	F647	Extension Retaining Ring 0.437	1	1	1		9-APR/12		
52	<a href="#">078174-1</a>	<b>Magnetic Door Catch</b>	1	1	1	1			C
53	2139600	Magnet Mounting Bracket	1	1	1	1		5-MAY/91	
	<a href="#">2183500</a>	Magnet Bracket	1	1	1	1	5-MAY/91		
54	<a href="#">1028500</a>	Connector 3/8" 90 deg. Romex	1	2	1	2			
55	<a href="#">1029600</a>	Antishorts #1	2	4	2	4			

\* NOT ILLUSTRATED

**RECOMMENDED STOCK PARTS**

**GARLAND PARTS IDENTIFICATION**  
**ED Super Fryers**

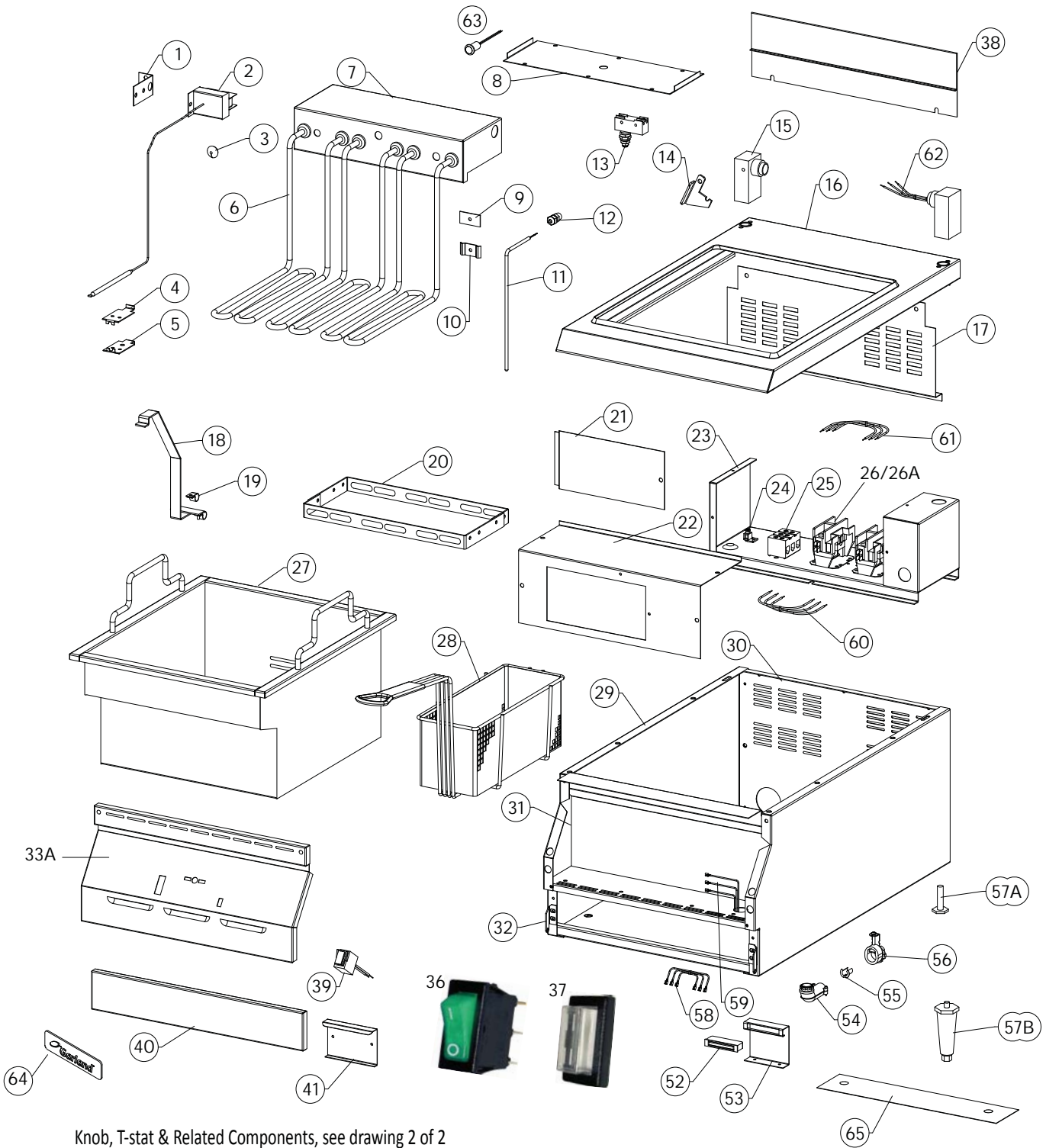
**ED-15SF / ED-30SFT / EDU-18SF / EDU-36SFT**

ITEM	PART#	DESCRIPTION	QTY				FROM DATE	UP TO DATE	CRITICAL
			ED-15SF	ED-30SFT	EDU-18SF	EDU-36SFT			
56	<a href="#">G01497-1</a>	Bx Connector Straight 3/8"	1	2	1	2			
57A	<a href="#">F157</a>	Levelling Bolt 3/8-16 x 1-1/16"	4	4	4	4			
57B	<a href="#">078109-2</a>	Metal Leg (Optional)	4	4	4	4			
57C*	<a href="#">G01503-10</a>	Leg Weld Nut	4	4	4	4			
58	<a href="#">2169200</a>	Panel Control Wire F/ED 15F,30F	1	2	1	2			
59	<a href="#">2169100</a>	Contacto Control Wire F/ED-15F	1						
	2170500	Contacto Control Wire F/ED-30F		1					
	2169101	Control Wires - Contactor			1				
	2170501	Control Wires - Contactor				1			
60	<a href="#">2168800</a>	Contacto Jumper F/ED-15F,30F Export	1	2	1				
	<a href="#">2168801</a>	Contacto Jumper				2			
	2170000	Contacto Jumper F/ED-30F Domestic		1					
61	<a href="#">2168700</a>	Contacto Wire F/ED-15F Domestic	1						
	<a href="#">2168701</a>	Contacto Wire F/ED-15F Export	1		1				
	2169900	Contacto Wire F/ED-30F Domestic		1					
	2169901	Contacto Wires F/ED-30F Export		1		1			
62	2168900	Left End Post Wire F/ED-15F Dom.	1						
	2168901	Left End Post Wire F/ED-15F Export	1						
	2168902	Left End Post Wires Harness			1				
	2169000	Right End Post Wire F/ED-15F Domestic	1						
	2169001	Right End Post Wire F/ED-15F Export	1		1				
	2170100	LF Left End Post Wire F/ED-30F Domestic		1					
	2170101	LF Left End Post Wire EXPED30F Export		1					
	2170102	L.F. Left End Post Wires Harness				1			
	2170200	LF Right End Post Wire F/ED30F Domestic		1					
	2170201	LF Right End Post Wire F/ED30F Export		1		1			
	2170300	RF Left End Post Wire F/ED-30F Domestic		1					
	2170301	RF Left End Post Wire F/ED-30F Export		1					
	2170302	R.F. Left End Post Wires Harness				1			
2170400	RF Right End Post Wire F/ED30F Domestic		1						
2170401	Right End Post Wire F/ED30F Export		1		1				
63	<a href="#">G01296-1</a>	<b>Pilot Red 240V</b>			1	1			C
64	<a href="#">4529725</a>	Garland Nameplate 4 7/8"	1	1	1	1			
65	<a href="#">2285999</a>	Leg Channel Assembly 15"	2						
	<a href="#">2285998</a>	Leg Channel Assembly 18"			2				
	<a href="#">2285996</a>	Leg Channel Assembly 30"		2					
	<a href="#">2285995</a>	Leg Channel Assembly 36"				2			
80*	2145700	Wiring Diagram	ED-15SF-DOM						
	2145800	Wiring Diagram	ED-15SF-EXP						
81*	2145900	Wiring Diagram	ED-30SF-DOM						
	2144600	Wiring Diagram	ED-30SF-EXP						
82*	2145801	Wiring Diagram	EDU-18SF						
83*	2146001	Wiring Diagram	EDU-36SF						

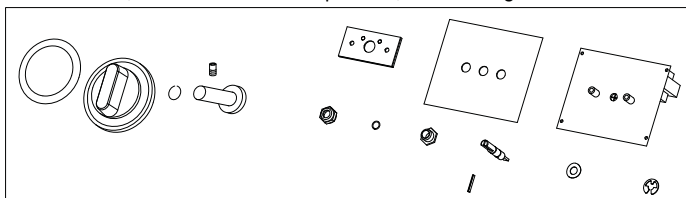
\* NOT ILLUSTRATED

**RECOMMENDED STOCK PARTS**

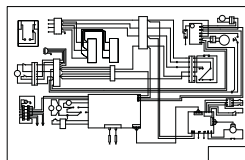
Blank Page



Knob, T-stat & Related Components, see drawing 2 of 2

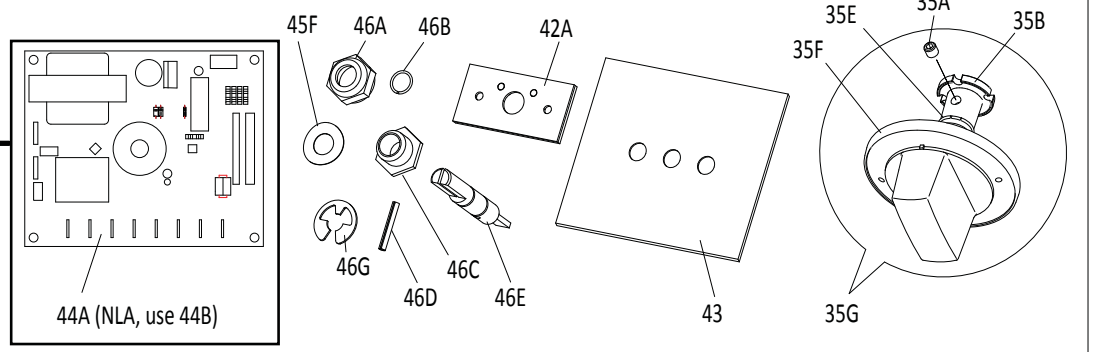


80 - 83 (Wiring Diagrams)

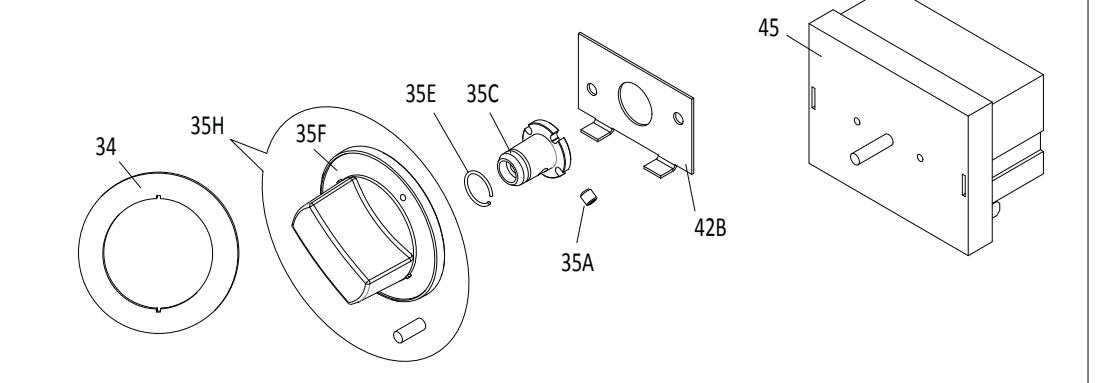




#### T-stat & Related Components for Units Built UP TO 27-Jan/2010



#### T-Stat & Related Components for Units Built BETWEEN 28-Jan/2010 and 9-Apr/2012



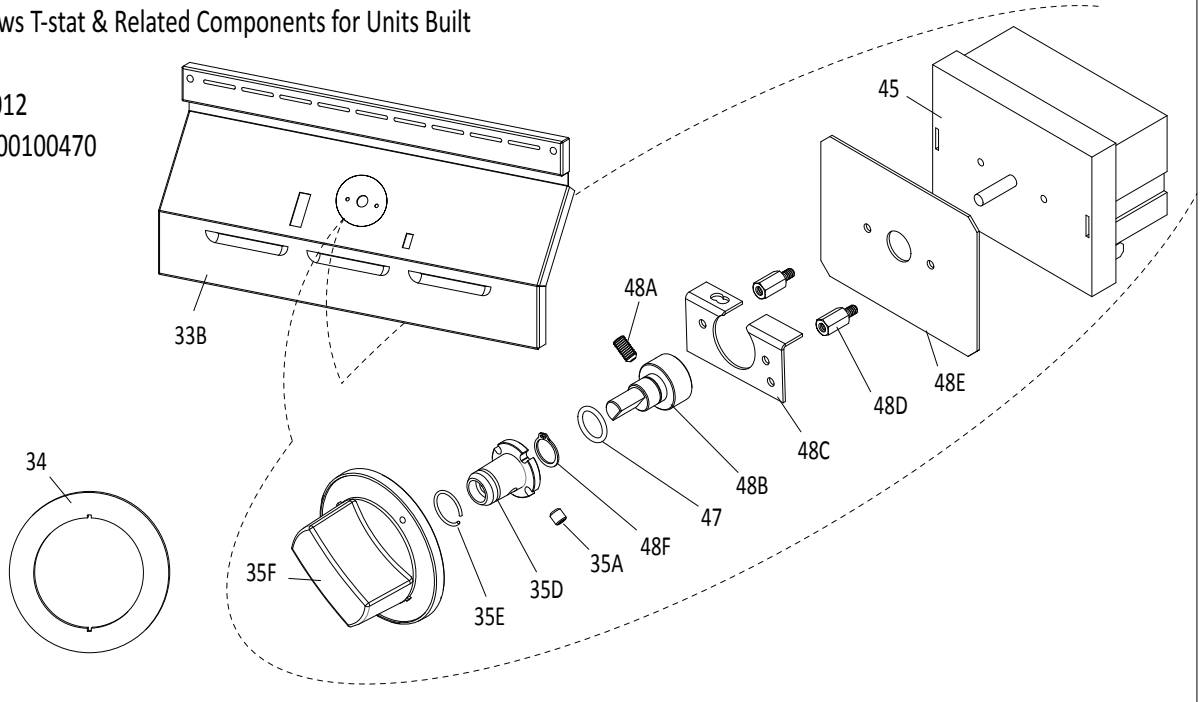
#### 44B T-Stat Kit

Illustration shows T-stat & Related Components for Units Built

FROM:

(date) 9-Apr/2012

(serial#) 1204100100470



**GARLAND PARTS IDENTIFICATION**

**ED Fryers**

**ED-15F / ED-30FT / EDU-18F / EDU-36FT**

ITEM	PART#	DESCRIPTION	QTY				FROM DATE	UP TO DATE	CRITICAL
			ED-15F	ED-30FT	EDU-18F	EDU-36FT			
1	2158300	Hi-Limit Mounting Bracket	1	2	1	2			
2	2147600	Hi Limit 430 Degrees F	1	2	1	2			
3	G1155-1	Black PVC Grommet #315-463	1	2	1	2			
4	2160700	Bulb Clamp Top	1	2	1	2			
5	2160899	Bulb Clamp Bottom Assembly	1	2	1	2			
6	<b>CK2185500</b>	<b>Super Fryer Element 208V 5.3kW</b>	1	2	1	2			C
	<b>CK2185501</b>	<b>Super Fryer Element 220V 5.929kW</b>	1	2	1	2			C
	<b>CK2185502</b>	<b>Super Fryer Element 240V 5.3kW</b>	1	2	1	2			C
	<b>2185503</b>	<b>Important:</b> Use Part <b>2185502</b> Fryer Element 240V 5.3kW to replace Part <b>2185503</b> Fryer Element 230V.			1	2			C
7	2158498	Termination Box Assembly	1	2					
	2158496	Termination Box Assembly			1	2			
8	2158500	Termination Box Cover	1	2					
	2158501	Termination Box Cover <b>CE</b> .			1	2			
9	2160499	Clamp Back Assembly	1	2	1	2			
10	2160300	Rtd Clamp	1	2	1	2			
11	<b>2147000</b>	<b>Rtd Sensor-Fryer</b>	1	2	1	2			C
12	2147400	Liquid-Tite Fitting #3444	1	2	1	2			
13	<b>CK4601247</b>	<b>Switch W/Sealing Cap X01-E1G6</b>			1	2			C
14	2385400	Termination Box Support	1	2	1	2			
15	2157398	End Post Assembly	2	4	2	4			
16	2384999	Main Top Assy	1						
	2385199	Main Top Assy		1					
	2384998	Main Top Assembly			1				
	2385198	Main Top Assembly				1			
17	2157800	Rear Shield	1						
	2157801	Rear Shield		1					
	2157802	Rear Sheild			1				
	2157803	Rear Sheild				1			
18	2160598	Element Lifting Handle	1	2	1	2			
19	F141	Clamp-Tube Tinnerman <b>Use GF141</b>	2	4	2	4			
20	2158699	Element Clamp Assembly	1	2	1	2			
21	2176000	Inspection Cover	1	1	1	1			
22	2157900	Contacto Box Cover	1						
	2157700	Contacto Box Cover		1					
	2157901	Contacto Box Cover			1				
	2157701	Contacto Box Cover				1			
23	<b>2158100</b>	<b>Contacto Box</b>	1						C
	<b>2158000</b>	<b>Contacto Box</b>		1					C
	<b>2158101</b>	<b>Contacto Box</b>			1				C
	<b>2158001</b>	<b>Contacto Box</b>				1			C
24	G01500-1	Ground Terminal 55AMP	1		1				
	G01499-1	Ground Terminal 105A Large SLU-70		1		1			

\* NOT ILLUSTRATED

**RECOMMENDED STOCK PARTS**

## GARLAND PARTS IDENTIFICATION

### ED Fryers

#### ED-15F / ED-30FT / EDU-18F / EDU-36FT

ITEM	PART#	DESCRIPTION	QTY				FROM DATE	UP TO DATE	CRITICAL
			ED-15F	ED-30FT	EDU-18F	EDU-36FT			
25	2147300	Terminal Block 3 Circuit	1		1				
	G01268-1	Terminal Block #824 Export (No Longer Available. Use 2694801(4) or 2694800(5))		3					
	G01268-1	Terminal Block #824 Export (No Longer Available. Use 2694801(4) or 2694800(5))		4					
	G01268-2	Terminal Block End #830 (No Longer Available)		1					
	G01280-3-7	Terminal Block Channel 3 LUG Domestic		1					
	G01280-4-7	Terminal Block Channel 4 LUG Export		1					
	2694800	Export Terminal Block (5)				1			
26	<b>2186900</b>	<b>Contactor Single Pole</b>	2	4	2	4			C
27	<b>2133599</b>	<b>Fry-Tank Assembly</b>	1	2	1	2			C
28	<b>G02700-3</b>	<b>Fryer Basket Twin R.H.</b>	1	2	1	2			C
	<b>G02700-4</b>	<b>Fryer Basket Twin L.H.</b>	1	2	1	2			C
	G02701-2	Fryer Basket Single (OPTIONAL)							
29	2180699	Body Side Assembly LH Black (Code 9402CG0180)	1	1	1	1			
	2180698	Body Side Assembly LH S/S (Code 9402CG0180)	1	1	1	1			
	2180599	Side Assembly RH (Code 9402CG0180)	1	1	1	1			
	2180598	Side - Right Assembly S/S (Code 9402CG0180)	1	1	1	1			
	2349499	Body Side Assembly RH (Code 9402CG0181)	1	1	1	1			
	2349498	Body Side Assembly LH (Code 9402CG0181)	1	1	1	1			
	2349497	Body Side Assembly RH (Code 9402CG0181)	1	1	1	1			
	2349496	Body Side Assembly LH (Code 9402CG0181)	1	1	1	1			
30	2180899	Body Back & Bottom Assy (15F)	1						
	2180898	Body Back & Bottom S/S	1						
	2181399	Body Back & Bottom Assy (30FT)		1					
	2181398	Body Back & Bottom S/S		1					
	2180897	Body Back & Bottom Assy. 18" W.C.			1				
	2180896	Body Back & Bottom Assy S/S			1				
	2181397	Back & Bottom Assembly W.C.				1			
2181396	Back & Bottom Assembly S/S				1				
31	2351900	Control Shield	1						
	2352500	Control Shield		1					
	2351902	Control Sheild			1				
	2352502	Control Sheild				1			
32	2149400	Door Hinge Right Hand	1	1	1	1			
	2149401	Door Hinge Left Hand	1	1	1	1			
33A	2349500	Control Panel	1					9-APR/12	
	2350000	Control Panel		1				9-APR/12	
	2349501	Control Panel			1			9-APR/12	
	2350001	Control Panel				1			
33B	4530539	Control Panel ED-15F/15SF (Backward Compatible)	1				9-APR/12		
	4530541	Control Panel ED-30F/30SF (Backward Compatible)		1			9-APR/12		
	4530540	Control Panel EDU-18F/18SF (Backward Compatible)			1		9-APR/12		
34	2138900	Dial Insert F/ED-15F,30F (F) 200-375	1	2	1	2			
	2138901	Dial Insert F/ED-15FE,30FE (C) 95-192	1	2	1	2			
35A	F561	10-32 - 3/16 Socket Head Screw	1	2	1	2			

\* NOT ILLUSTRATED

**RECOMMENDED STOCK PARTS**

## GARLAND PARTS IDENTIFICATION

### ED Fryers

#### ED-15F / ED-30FT / EDU-18F / EDU-36FT

ITEM	PART#	DESCRIPTION	QTY				FROM DATE	UP TO DATE	CRITICAL
			ED-15F	ED-30FT	EDU-18F	EDU-36FT			
35B	<a href="#">3043207</a>	Knob Hub <b>Note: NOT interchangeable with items 35C / 35D.</b>	1	2	1	2		27-JAN/10	
35C	<a href="#">3043208</a>	Hub 1/4" Not Flat <b>Note:</b> • Used <b>FROM</b> (serial#)1001100100982 (model) ED-15F-0008 <b>UP TO</b> (serial#)1204100100470 (model) ED-30FT-0045. • <b>NOT interchangeable with items 35B / 35D.</b>	1	2	1	2	27-JAN/10	9-APR/12	
35D	<a href="#">3043200</a>	Hub (non-FF) <b>Note: NOT interchangeable with items 35B / 35C.</b>	1	2	1		9-APR/12		
35E	<a href="#">3043300</a>	Retaining Spring	1	2	1	2			
35F	<a href="#">3043100</a>	Knob	1	2	1	2			
35G	<a href="#">4512224</a>	Dial Kit (Includes items: 35A, 35B, 35E, 35F)	1	2	1	2		27-JAN/10	
35H	<a href="#">4527733</a>	ED-Fryer Knob Assembly <b>Note:</b> • Includes a Knob ( <a href="#">3043100</a> ) and a spacer. • Can install this knob asm on an older unit with Hub <a href="#">3043208</a> (35C) and Limiter Plate <a href="#">4527806</a> (item 42B). See illustration for related components. • Implemented <b>FROM</b> (serial#)1001100100982 (model) ED-15F-0008 <b>UP TO</b> (serial#)1204100100470 (model) ED-30FT-0045.	1	2	1	2	27-JAN/10	9-APR/12	
36	<a href="#">2146800</a>	Illuminated Power Switch	1	2	1	2			
37	<a href="#">3011400</a>	PVC Clear Cap c/w Black Bezel			1	2			
38	<a href="#">2385500</a>	Back Splash	1						
	<a href="#">2385600</a>	Back Splash		1					
	<a href="#">2385501</a>	Back Splash			1				
	<a href="#">2385601</a>	Back Splash 36"				1			
39	<a href="#">2138500</a>	<b>Amber Indicator Light (Obsolete, use <a href="#">CK4533018</a>)</b>	1	2	1	2		30-APR-16	C
	<a href="#">CK4533018</a>	<b>Service Kit for Indicator Light 250V Amber</b> Notes: Kit includes green rectangular 250V light 4533018 and amber rectangular lens 4533017.	1	2	1	2	1-MAY-16		C
40	<a href="#">2149299</a>	Door Assembly 15"	1						
	<a href="#">2149296</a>	Door Assembly 30"		1					
	<a href="#">2149298</a>	Door Assembly 18"			1				
	<a href="#">2149295</a>	Door Assembly 36"				1			
41	<a href="#">2149300</a>	Door Pull	1	1	1	1			
42A	<a href="#">2491500</a>	Stop Plate Assembly	1	2	1	2		27-JAN/10	
42B	<a href="#">4527806</a>	Mechanical Limiter Plate ED-Fryers	1	2	1	2	28-JAN/10	9-APR/12	
43	<a href="#">2159300</a>	Insulator-Thermostat	1	2	1	2		27-JAN/10	
44A	<a href="#">2142000</a>	<b>Electronic Thermostat 200-375F</b> <b>Note:</b> Part is <b>No Longer Available</b> . Use Conversion Kit (item# 44B).	1	2	1	2	NLA	27-JAN/10	C

\* NOT ILLUSTRATED

**RECOMMENDED STOCK PARTS**

## GARLAND PARTS IDENTIFICATION

### ED Fryers

#### ED-15F / ED-30FT / EDU-18F / EDU-36FT

ITEM	PART#	DESCRIPTION	QTY				FROM DATE	UP TO DATE	CRITICAL
			ED-15F	ED-30FT	EDU-18F	EDU-36FT			
44B	4531019	Tstat Kit - ED15 F/SF	1				9-APR/12 see Note		
	4531020	Tstat Kit - ED30 FT/SFT		1			9-APR/12 see Note		
	4531021	Tstat Kit - EDU18 F/SF			1		9-APR/12 see Note		
	<b>Note:</b> <ul style="list-style-type: none"> <li>Kit includes components as shown in illustration and install instructions (4531018).</li> <li>Use one of these Kits for any unit built UP TO 9-Apr-2012.</li> <li>Components in these Kits are used in units built FROM (serial#) 1204100100470 (model) ED-30FT-0045 (date) 9-Apr-2012.</li> </ul>								
45	4527081	<b>Electronic Thermostat</b> <b>Note:</b> For any unit built between 28-Jan/2010 and 9-Apr/2012, please refer to Bulletin GAR-03-13-AIC for thermostat replacement options.	1	2	1	2	28-JAN/10	C	
46A	2358200	Shaft Seal N9030 x 1/4	1	2	1	2		27-JAN/10	
46B	2382800	Shaft Retaining Spring	1	2	1	2		27-JAN/10	
46C	2167300	Panel Bearing Assembly	1	2	1	2		27-JAN/10	
46D	2167000	Spring Tension Pin	1	2	1	2		27-JAN/10	
46E	2166800	Potentiometer Shaft	1	2	1	2		27-JAN/10	
46F	2167100	Bowed Spring Washer	1	2	1	2		27-JAN/10	
46G	2167200	Retaining Ring	1	2	1	2		27-JAN/10	
47	4530531	0.437 O-Ring	1	1	1		9-APR/12		
48A	F648	#10 - 32 x 3/8 Set Screw	1	1	1		9-APR/12		
48B	4530532	Tstat Shaft Extension	1	1	1		9-APR/12		
48C	4530537	Fryer Control Stop	1	1	1		9-APR/12		
48D	F646	#6 - 32 x 0.437 Standoff	2	2	2		9-APR/12		
48E	4530538	Fryer Control Plate	1	1	1		9-APR/12		
48F	F647	Extension Retaining Ring 0.437	1	1	1		9-APR/12		
52	078174-1	<b>Magnetic Door Catch</b>	1	1	1	1		C	
53	2139600	Magnet Mounting Bracket	1	1	1	1		5-MAY/91	
	2183500	Magnet Bracket	1	1	1	1	5-MAY/91		
54	1028500	Connector 3/8" 90 DEG. Romex	1	2	1	2			
55	1029600	Antishorts #1	2	4	2	4			
56	G01497-1	Bx Connector Straight 3/8".	1	2	1	2			
57A	F157	Levelling Bolt-3/8-16X1 1/16"	4	4	4	4			
57B	078109-2	Metal Leg (Optional)	4	4	4	4			
57C*	G01503-10	Leg Weld Nut	4	4	4	4			
58	2169200	Panel Control Wire F/ED15F,30F	1	2	1	2			
59	2169100	Contactora Control Wire F/ED-15F	1						
	2170500	Contactora Control Wire F/ED-30F		1					
	2169101	Control Wires - Contactora			1				
	2170501	Control Wires - Contactora				1			
60	2168800	Contactora Jumper F/ED-15F,30F Export	1	2	1				
	2168801	Contactora Jumper				2			

\* NOT ILLUSTRATED

#### **RECOMMENDED STOCK PARTS**

**GARLAND PARTS IDENTIFICATION**

**ED Fryers**

**ED-15F / ED-30FT / EDU-18F / EDU-36FT**

ITEM	PART#	DESCRIPTION	QTY				FROM DATE	UP TO DATE	CRITICAL
			ED-15F	ED-30FT	EDU-18F	EDU-36FT			
61	<a href="#">2184801</a>	Contacto Wire	1						
	<a href="#">2184803</a>	Contacto Wire	1		1				
	<a href="#">2184800</a>	Contacto Wire		1					
	<a href="#">2184802</a>	Contacto Wires		1		1			
62	2184900	Left End Post Wires	1						
	2184901	Left End Post Wire Harness			1				
	2185000	Right End Post Wires	1						
	2185001	Right End Post Wires	1		1				
	<a href="#">2185100</a>	L.F. Left End Post Wires		1					
	2185101	L.F. Left End Post Wires Harness				1			
	<a href="#">2185200</a>	L.F.Right End Post Wires		1					
	<a href="#">2185201</a>	L.F.Right End Post Wires		1		1			
	<a href="#">2185300</a>	R.F. Left End Post Wires		1					
	2185301	R.F. Left End Post Wires Harness				1			
	<a href="#">2185400</a>	R.F.Right End Post Wires		1					
<a href="#">2185401</a>	R.F.Right End Post Wires		1		1				
63	<a href="#">G01296-1</a>	<b>Pilot Red 240V</b>			1	1			C
64	<a href="#">4529725</a>	Garland Nameplate 4 7/8"	1	1	1	1			
65	<a href="#">2285999</a>	Leg Channel Assembly 15"	2						
	<a href="#">2285998</a>	Leg Channel Assembly 18"			2				
	<a href="#">2285996</a>	Leg Channel Assembly 30"		2					
	<a href="#">2285995</a>	Leg Channel Assembly 36"				2			
80*	2184400	Wiring Diagram	ED-15F - DOM						
	2184500	Wiring Diagram	ED-15F - EXP						
81*	2184600	Wiring Diagram	ED-30F - DOM						
	2184700	Wiring Diagram	ED-30F - EXP						
82*	2184501	Wiring Diagram	EDU-18F						
83*	2184701	Wiring Diagram	EDU-36F						

\* NOT ILLUSTRATED

**RECOMMENDED STOCK PARTS**

## Related Bulletins (ED Series Electric Counter Equipment)

BULLETIN #	SUBJECT	DATE
GAR-03-13-AIC	ED Fryer, ED Super Fryer, Thermostat Replacement Options	13-MAR-13

## Revision History (ED Series Electric Counter Equipment)

REV	PAGE#	ITEM#	NOTES	DATE	
14			Added - critical column	MAR 17/08	
	8		New Drawing		
	10	52,53	New P/N		
15	10	53	Added serial#	MAR 28/08	
16	24,30		New drawing	APR 03/08	
	26	38	Added p/n		
	32	38	Added p/n		
17	21	15	New p/n, was <a href="#">G2840-1</a> (Cord & Plug Set 3/14 wire 15A)	JUL 11/08	
18	13	4	Part# changed, was 0791130-1 (Fibrefrac 970J 1/8")	OCT 18/10	
	16		New drawing		
	17	3			Part <a href="#">G0875-4</a> , NLA
		4			P/N was <a href="#">G0857-1-9</a> . QTY changed.
	18	40			Now illustrated.
		41A			New P/N
		41B			Item was #41. P/N was <a href="#">2426000</a>
		41C			Item was #42
	25	6			Added Note.
	26, 32	35B			Added <a href="#">3043208</a> , dates.
		35E			Added <a href="#">4527733</a> , dates.
27	45,46,47,48, 49,50,51		"Used UP TO" date added.		
27,32	42		Added <a href="#">4527806</a> , dates.		
	44		Added Note.		
19	18	41A	Removed part. Was <a href="#">CK140</a> Prop Kit.	NOV 1/10	
	26	26	Revised P/N, description of contactor	FEB 9/12	
20	27	26	New contactor kit <a href="#">4531014</a> , to replace <a href="#">077062-1</a>	JUN 15/12	
		26A	New contactor <a href="#">1489701</a>		
	25,33		New illustrations for knob, t-stat and related parts.		
	24-38		New T-stat kits <a href="#">4531019/4531020/4531021</a> . Kits include a number of new components. See illustrations.		
	27,33	44	Removed kit <a href="#">4527731</a> . Components are still available for purchase.		
			Ref: New book format		
21	29, 37	45	Added new bulletin info. Modified illustrations.	MAR 14/13	
22	26, 34	7	Corrected part#, Terminal Box Assemblies.	JUN 12/13	
23	ALL		Logo/Garland nameplate, old <a href="#">3077101</a> , new <a href="#">4529725</a>	MAY 9/16	
	15	55	Added quantity.		
	18	45, 46, 47	Added quantity.		
	19	54	Added quantity.		
	22	41,42,43,44	Added quantity.		
	5, 17, 21	8, 21, 14	Infinite switch, added CK to part#. Kit includes fasteners required.		
	9	6	6-Heat switch, was <a href="#">2146900</a> . Replaced by <a href="#">4523166</a> (CSA) / <a href="#">4523167</a> (CE)		
	26, 34	6	Element. Added CK to part# except <a href="#">2147503</a> . Kit incl. fasteners required.		
	26, 34	13	Switch, <a href="#">2398600</a> is replaced by <a href="#">CK4601247</a> .		
5, 9, 17, 21	9, 7, 22, 9	Added green indicator light kit <a href="#">CK4533015</a> . Light <a href="#">2138504</a> is obsolete. ECO-000497.			
13, 28, 36	13, 39, 39	Added amber indicator light kit <a href="#">CK4533018</a> . Light <a href="#">2138500</a> is obsolete. ECO-000497.			
24	28, 36	39, 39	Corrected errors in descriptions.	JUNE 21/16	

\*\* Page#/Item# reference the specific page/item numbers in the corresponding Revision only.

