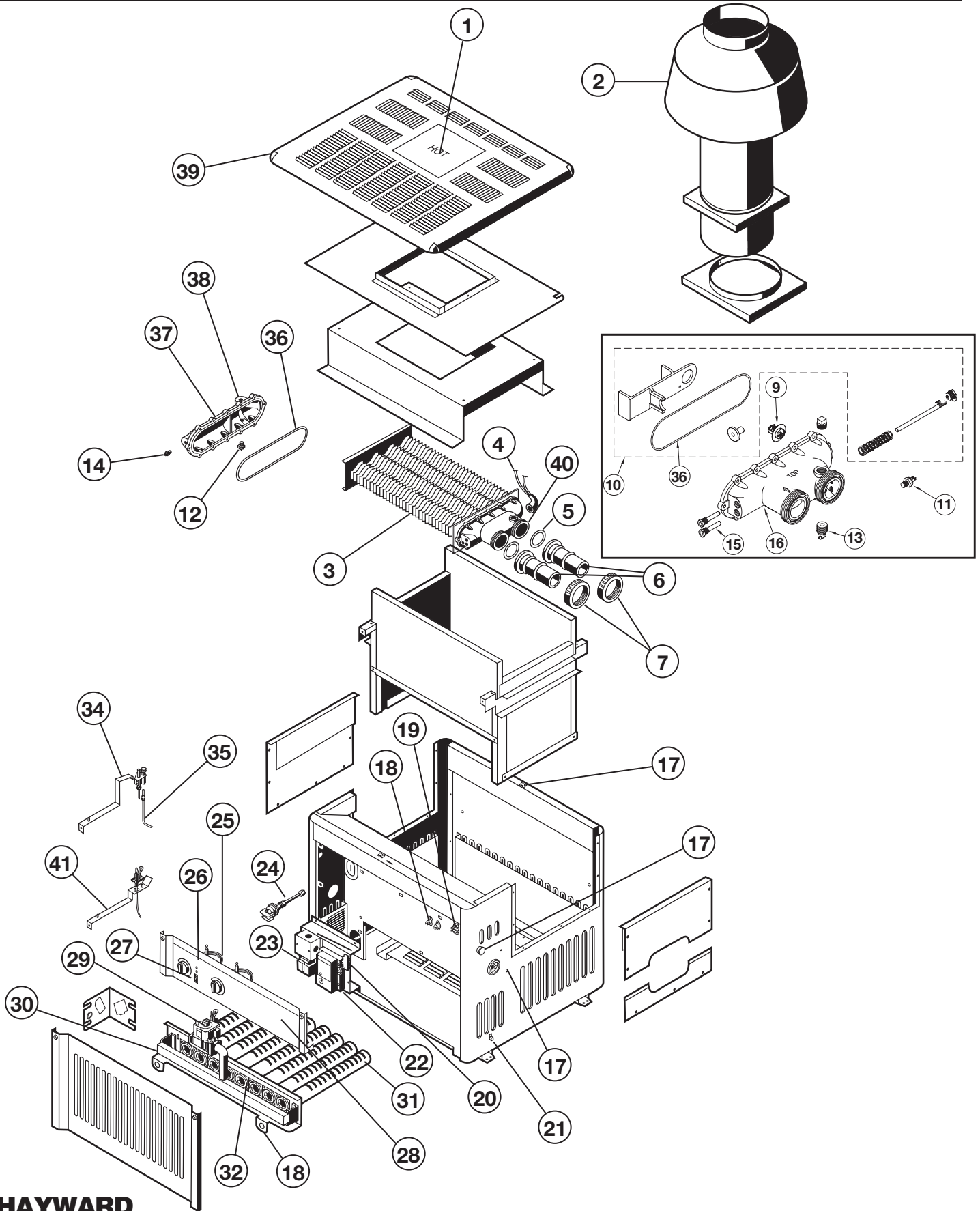


H-Series – Millivolt/Electronic (ED1 Style)

HEATER REPLACEMENT PARTS

Parts Diagram



Heating

H-Series – Millivolt/Electronic (ED1 Style)

HEATER REPLACEMENT PARTS

Parts Listing

Ref. Part No.	Part Number	Description	Ref. Part No.	Part Number	Description	Ref. Part No.	Part Number	Description
1	HAXDHO1930	DHO Insert	13	HAXDRV1930	Drain Valve Assembly	32	HAXBON1930	Burner Orifice, Natural Gas
2	DHI150	Indoor Drafthood – 150	14	CHXPSA1930	Pressure Switch Adapter	32	HAXBON1931	Burner Orifice, Natural Gas HA
2	DHI200	Indoor Drafthood – 200	15	CHXTBW1930	Bulb Well	32	HAXBON210	Burner Orifice, Natural, H210 Only
2	DHI250	Indoor Drafthood – 250		HAXTBW1930 [†]	Bulb Well, Cotherm	32	HAXBOP1930	Burner Orifice, Propane
2	HWS150	High Wind Stack – 150	16	HAXFHD1930	Front Header Only	32	HAXBOP1931	Burner Orifice, Propane HA
2	HWS200	High Wind Stack – 200		HAXFHD1931*	Front Header Only	32	HAXBOP210	Burner Orifice, Propane, H210 Only
2	HWS250	High Wind Stack – 250	17	HAXPHK1930	Plastic Hardware Kit	33	HAXIGN1931	Ignitor Assembly
3	HAXHXA1153	Heat Exchanger Assembly – 150	18	HAXTLK1930	Temperature Limiters Kit	34	HAXPLT1931	Pilot – Natural Gas
3	HAXHXA1203	Heat Exchanger Assembly – 200	19	HAXTBK1931	2-Pole Terminal Block	34	HAXPLT1932	Pilot – Propane
3	HAXHXA1210	Heat Exchanger Assembly – 210	20	HAXTBK1933	4-Pole Terminal Block	35	HAXTRK1930	Pilot Tube Replacement Kit
3	HAXHXA1253	Heat Exchanger Assembly – 250	21	CHXGRL1930	TA-2 Ground Lug	36	HAXHOR1930	Header O-Ring
3	HAXHXA1303	Heat Exchanger Assembly – 300	22	HAXMOD1930	Control Module	37	HAXRHD1930**	Rear Header Only
3	HAXHXA1353	Heat Exchanger Assembly – 350	23	CHXTRF1930	Transformer	38	HAXPLG1930	1/4" NPT Brass Plug
3	HAXHXA1403	Heat Exchanger Assembly – 400	24	HAXPSA1930	Pressure Switch Assembly	39	HAXCIA1930	Corner Piece Kit (4)
	HAXWHA0006*	Rear Wire Harness, MV	25	HAXTST1930	Thermostat	40	HAXFHA1930**	Front Header Assembly
4	HAXWHA0003	Rear Wire Harness, DS	26	HAXLKD1930	LED Kit		HAXFHA1931	Front Header Assembly
	HAXWHA0007*	Rear Wire Harness, DS	27	CHXTSW1930	System Switch Single	—	HAXWHA0005	Wire Harness, Main DS (not shown)
5	HAXFOR1930	O-Rings	27	CHXTSW1931	System Switch Dual	—	HAXWHA0004	Wire Harness, Control Panel (not shown)
6	HAXNIP1930	Flange Pipe Nipples	28	HAXCPA2401***	Control Panel Assembly – 400 DS			
7	HAXNUT1930	Union Nuts	29	HAXGSV0001	Gas Valve, MV Natural Gas	—	FDXLGND1930	Heat Exchanger Bonding Kit
8	HAXFCT1930	Flow Control Thermostat	29	HAXGSV0003	Gas Valve, MV Propane	—	HAXWHA0001	Wire Harness, Main MV (not shown)
9	CHXPLG1930	3/4" NPT Brass Plug	29	HAXGSV0004	Gas Valve, DS Propane	—	HAXRFK1930	Retro Fit Kit (not shown)
10	HAXBPK1931**	By-Pass Valve Kit	29	HAXGSV0005	Gas Valve, DS Natural Gas	—	HAXWFN1930	Header Mounting Nut Kit (Pack of 12)
	HAXBPK1932*	By-Pass Valve Kit	30	HAXMAN1250	Gas Manifold – 250			
11	HAXHLI1930	Hi-Limit 135° F	30	HAXMAN1400	Gas Manifold – 400	—	CHXMSI1930	Manual Piezo Spark Igniter
12	HMXHLI2932	Hi-Limit 160° F	31	HAXBRN1930	Burner Tube	—	CHXGEN1930	Millivolt Pilot Generator

NOTES: *Used on heaters made after 10/28/00

**Used on heaters made before 10/28/00

*** Used on heaters made after 5/8/98

[†]Used on heaters made after 6/1/01